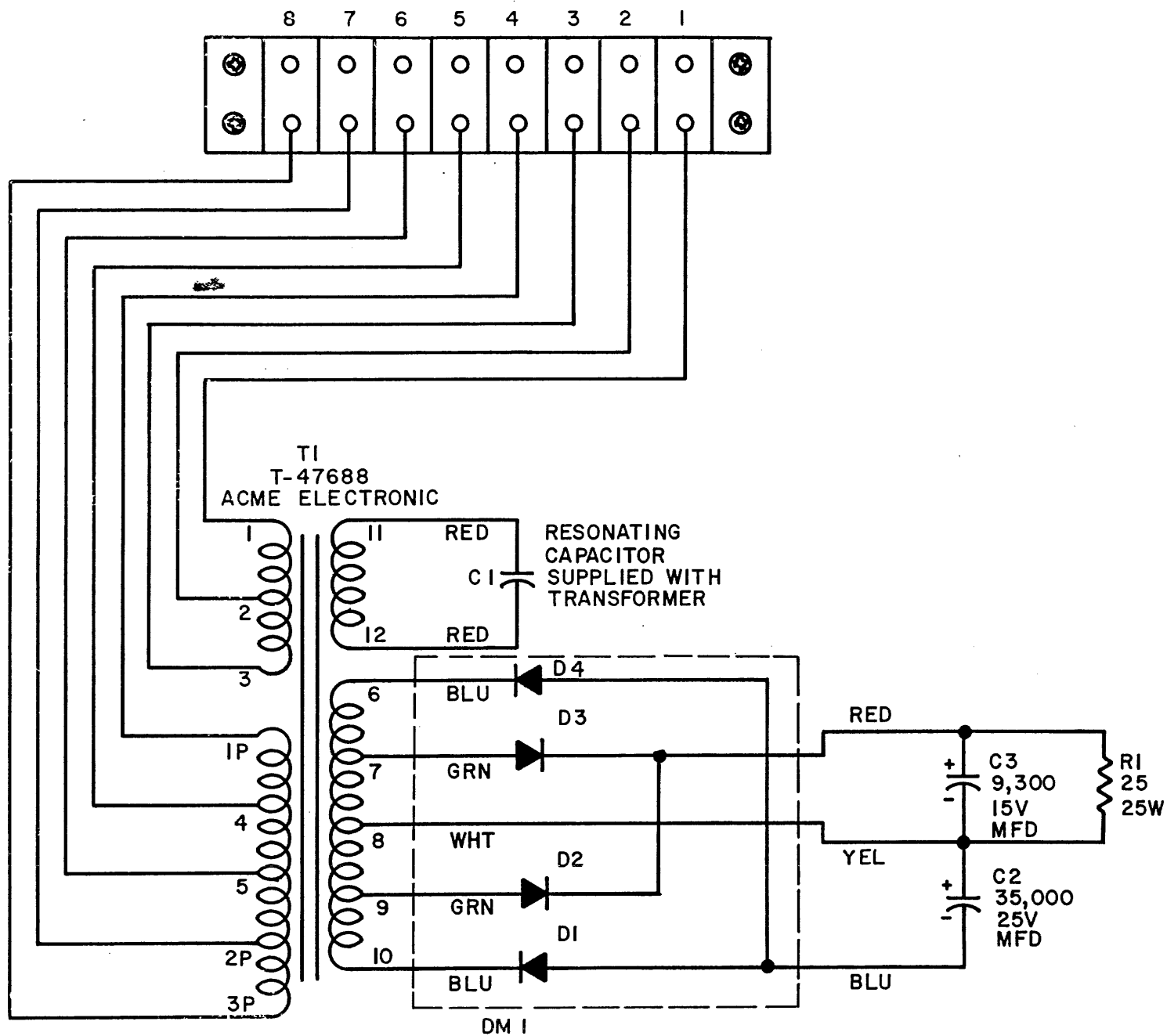


CS-B-H701A-3

CINCH JONES TERMINAL STRIP NO.354-21-12-001



CAUTION:
CHECK TRANSFORMER
TAPS BEFORE USING

INPUT VOLTAGE	JUMPER	LINE
112.5	10%	2-4,3-7
123.5	10%	1-4,3-8
195	10%	1-5
220	10%	1-6
235	10%	2-8

REVISIONS ECO. NO. 4741-1 4784-2 5068-3	DRAFTSMAN H. W. PORTER DATE 1-22-65	CHECKER <i>[Signature]</i> DATE <i>[Signature]</i>	digital EQUIPMENT CORPORATION MAYNARD, MASSACHUSETTS	CODE CS	DWG. NO. B-H701A	REV. 3
	ENGINEER <i>[Signature]</i> DATE <i>[Signature]</i>	PRODUCTION DATE		TITLE POWER SUPPLY H701A		