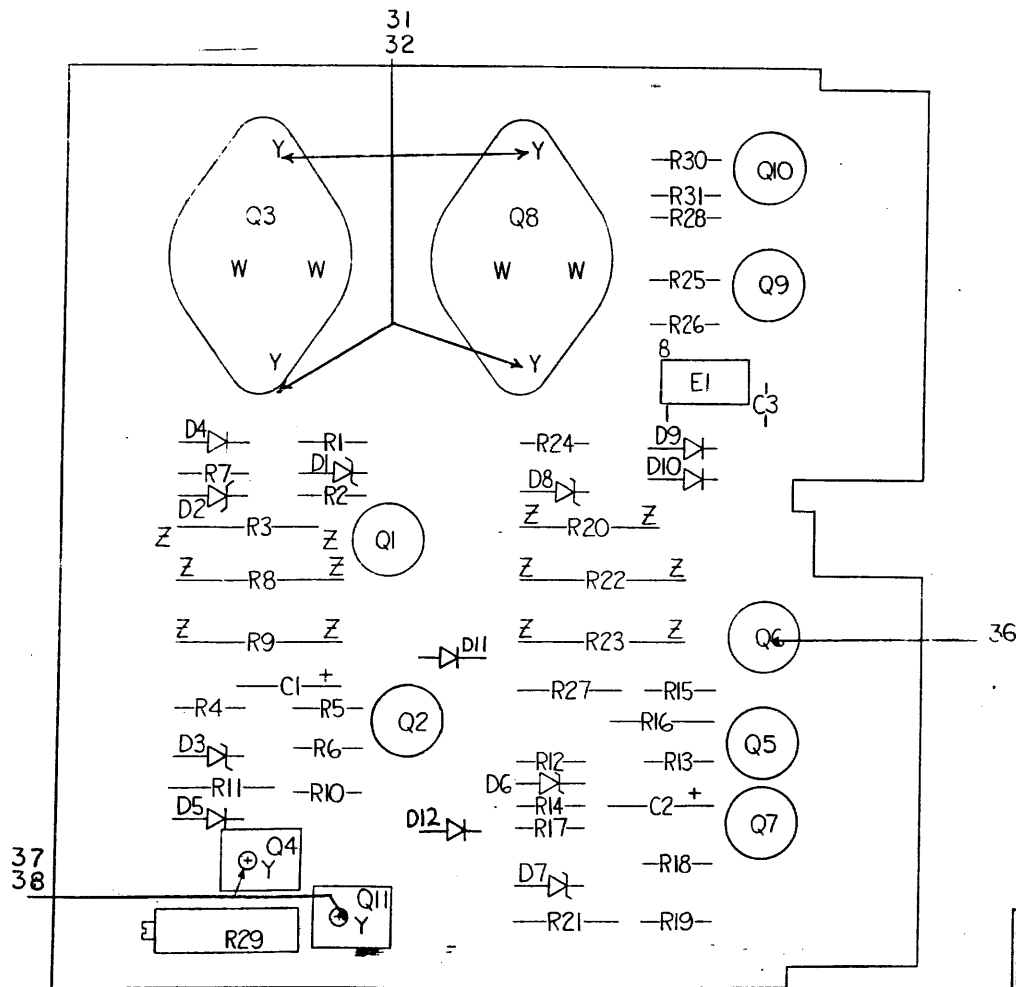
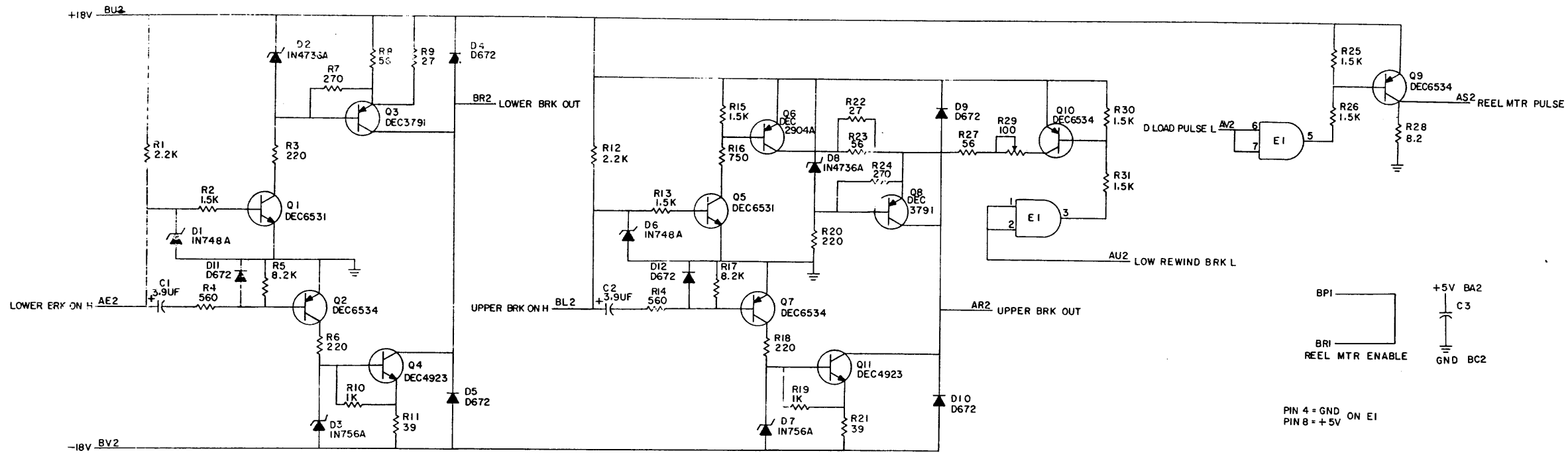


THIS SCHEMATIC IS FURNISHED ONLY FOR TEST AND MAINTENANCE PURPOSES. THE CIRCUITS ARE PROPRIETARY IN NATURE AND SHOULD BE TREATED ACCORDINGLY. COPYRIGHT 1971 BY DIGITAL EQUIPMENT CORPORATION.

8 1-0-1 6341-0-1 CS D
 33# 3000 1215



2		NUT, 4-40 NYLON	9001992	38
2		SCREW 4-40 X 1/4 NYLON	900640T-5	37
1	(UNDER Q6)	TRANSIPAD	9007200	34
2	R10, R19	RES. 1K 1/4W 5%	1300165	35
2		TRANSIL, FLIP CHIP - GREEN	9008337-01	34
		BYLEET	9006732	33
4		#4 KEP NUT	9006557	32
4		SCREW #4 X 5/16LG	9006010-1	31
1	-1	I.C. DEC 75451	1910406	30
1	Q4, 11	TRANSISTOR 2N4923	1509604	29
1	Q3	TRANSISTOR 2N3791	1509581	28
2	Q1, 5	TRANSISTOR DEC 6531	1509338	27
4	Q2, 9, 10, 7	TRANSISTOR DEC 6534D	1503409	26
1	Q6	TRANSISTOR 2N2904A	1501913	25
1	R29	PCT 100 3/4W 10% .76PR	1309143-04	24
2	R9, 22	RES. 27 2W 10%	1305624	23
2	R5, 17, 28	RES. 6.2K 1/4W 5%	1302836	22
	R23, 1	RES. 56 2W 5%	1302936	21
	R11, 21	RES. 39 1/4W 5%	1302336	20
	R7, 24	RES. 270 1/4W 5%	1301972	19
	R13, 4	RES. 560 1/4W 5%	1301890	18
	R1, R12	RES. 2.2K 1/4W 5%	1300417	17
	R2, 15, 25, 26, 30, 31	RES. 1.5K 1/4W 5%	1300391	16
1	R1	RES. 750 1/4W 5%	1300354	15
1	R3, 20	RES. 220 1W 10%	1300237	14
3	R14, 6	RES. 220 1/4W 5%	1300271	13
4	R27	RES. 56 1/4W 10%	1300215	12
6	Q4, 5, 9, 10, 11, 12	DIODE D672	1105275	11
2	Q1, 6	DIODE 1N748A	1100122	10
7	Q3, 7	DIODE 1N756A	1103441	9
7	Q2, 8	DIODE 1N4736A	1103340	8
	C3	CAP. .01UF 100V 20% 1/4W	1001610	7
	Q1, 2	CAP. 3.9UF 10V 10% S. TANT	1000064	6
		STANDARD BOARD BOARD	9009549	5
		WIRE BOND HISTORY	6-28-69341-0-6	4
		ASSEMBLY LAYOUT	4-28-69341-0-5	3
		ASSEMBLY SKILL LOCATION	8-22-69341-0-4	2
		DESCRIPTION	6341-0-1	1

REVISIONS		TRANSISTOR & DIODE CONVERSION CHART				TITLE	
REV	DATE	DEC	EIA	DEC	EIA	DATE	NUMBER
1	12-21-71	DEC 6472	1N7565	DEC6531	MP6531	12-21-71	69341-0-1
2	1-25-72	1N746A		DEC6534	MP6534		
3		1N756A		DEC3791			
4		1N4736A		DEC2904			

DRN	S. Corbett	DATE	12-21-71	TITLE	TU-10 BRAKE ACTUATOR
CHKD		DATE		EQUIPMENT	
ENG	J. He	DATE	7-25-72	CORPORATION	
BROO		DATE		PRINTED CIRCUIT REV.	B