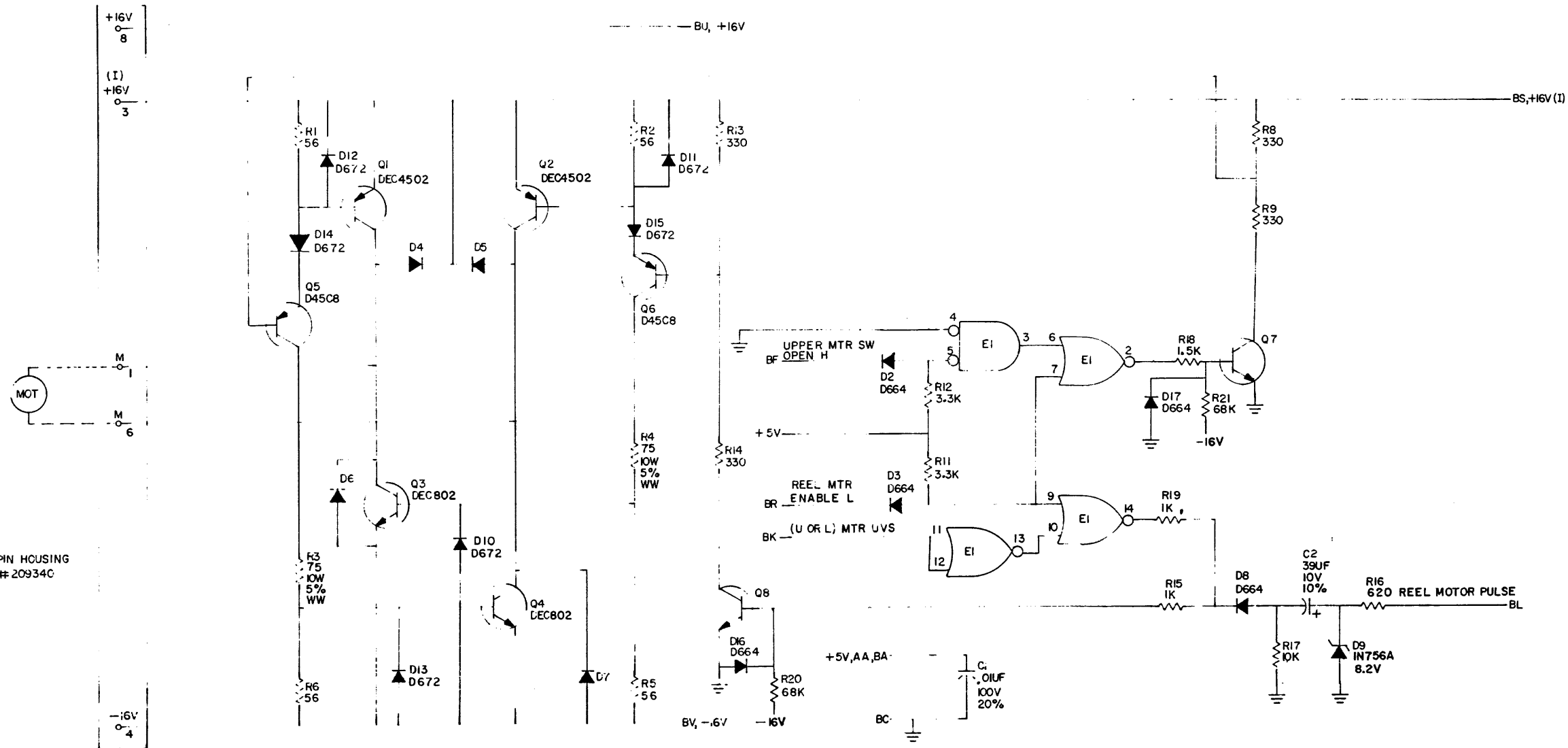


THIS SCHEMATIC IS FURNISHED ONLY FOR TEST AND MAINTENANCE PURPOSES. THE CIRCUITS ARE PROPRIETARY IN NATURE AND SHOULD BE TREATED ACCORDINGLY. COPYRIGHT 1970 BY DIGITAL EQUIPMENT CORPORATION



UNLESS OTHERWISE INDICATED:

RESISTORS = 1K, 1/4W, 5%
 DIODES = GE AI5B
 TRANSISTORS = DEC6531
 EI = DEC380
 PIN 1 = GND ON EI
 PIN 8 = +5V

REV	CHK	NO	REV
1	1	00001	C
2	1	00002	D
3	1	00003	E
4	1	00004	F
5	1	00005	H
6	1	00006	J
7	1	00007	K

DRN NANCY MOORE	DATE 11/15/70
CHK'D	DATE
ENG John P. ...	DATE 11/12/70
PROD	DATE

TRANSISTOR & DIODE CONVERSION CHART			
DEC	EIA	DEC	EIA
D664	IN3606	D45C8	
IN756A	SAME	DEC3790	2N3790
AI5B		DEC3715	2N3715
DEC6531	MPS6531	DEC4502	
DEC802		D672	IN3653

digital EQUIPMENT CORPORATION
 HAYWARD, MASSACHUSETTS

TITLE: REEL MOTOR AMPLIFIER
 G933

SIZE: C CS
 NUMBER: G933-0-1
 REV: K

PRINTED CIRCUIT REV: E

REV. K
 NUMBER G933-0-1
 SIZE CODE C CS