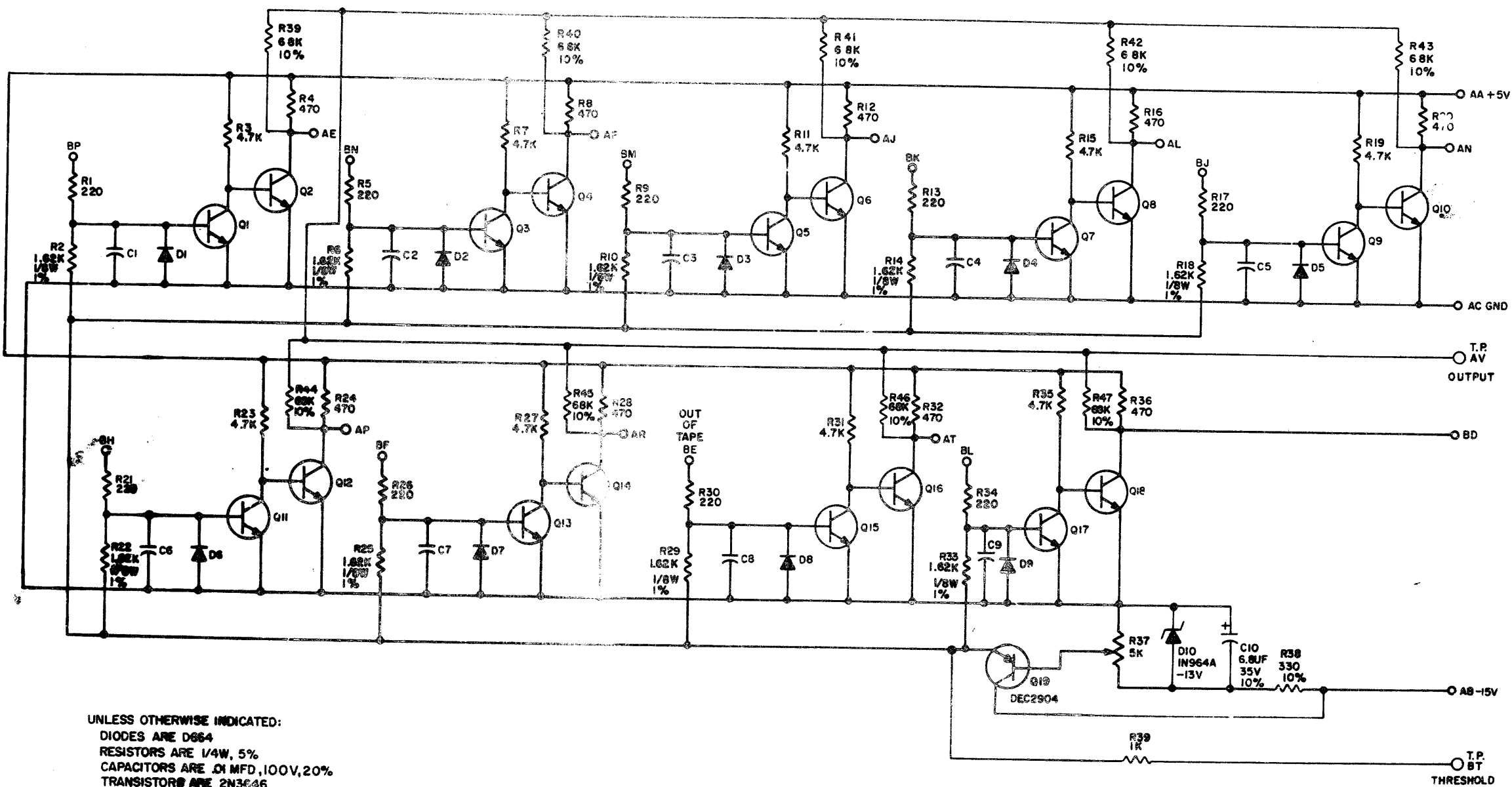


THIS SCHEMATIC IS FURNISHED ONLY FOR TEST AND MAINTENANCE PURPOSES. THE CIRCUITS ARE PROPRIETARY IN NATURE AND SHOULD BE TREATED ACCORDINGLY. COPYRIGHT 1969 BY DIGITAL EQUIPMENT CORPORATION



UNLESS OTHERWISE INDICATED:
 DIODES ARE D664
 RESISTORS ARE 1/4W, 5%
 CAPACITORS ARE .01 MFD, 100V, 20%
 TRANSISTORS ARE 2N3646
 ○ INDICATES TEST POINT

REV. B
 NUMBER G918-0-1
 SIZE CODE C CS

REVISIONS CHK CHG NO. REV. 00001 A 00002 00003 B		ORN. <i>RSUTLER</i> DATE <i>4/1/69</i> CHK'D <i>G. Yung</i> DATE <i>4/2/69</i> ENG. <i>R. O. J.</i> DATE <i>4/1/69</i> PROD. DATE				TRANSISTOR & DIODE CONVERSION CHART <table border="1"> <tr> <th>DEC</th> <th>EIA</th> <th>DEC</th> <th>EIA</th> </tr> <tr> <td>2N3646</td> <td>2N3009</td> <td>IN964A -13V</td> <td>SAME</td> </tr> <tr> <td>D664</td> <td>1N3306</td> <td>DEC2904</td> <td>2N1132</td> </tr> </table>				DEC	EIA	DEC	EIA	2N3646	2N3009	IN964A -13V	SAME	D664	1N3306	DEC2904	2N1132	TITLE PHOTO TRANSISTOR AMPLIFIER G918 EQUIPMENT CORPORATION MAYNARD, MASSACHUSETTS		SIZE CODE C CS NUMBER G918-0-1 PRINTED CIRCUIT REV. D		REV. B
DEC	EIA	DEC	EIA																							
2N3646	2N3009	IN964A -13V	SAME																							
D664	1N3306	DEC2904	2N1132																							