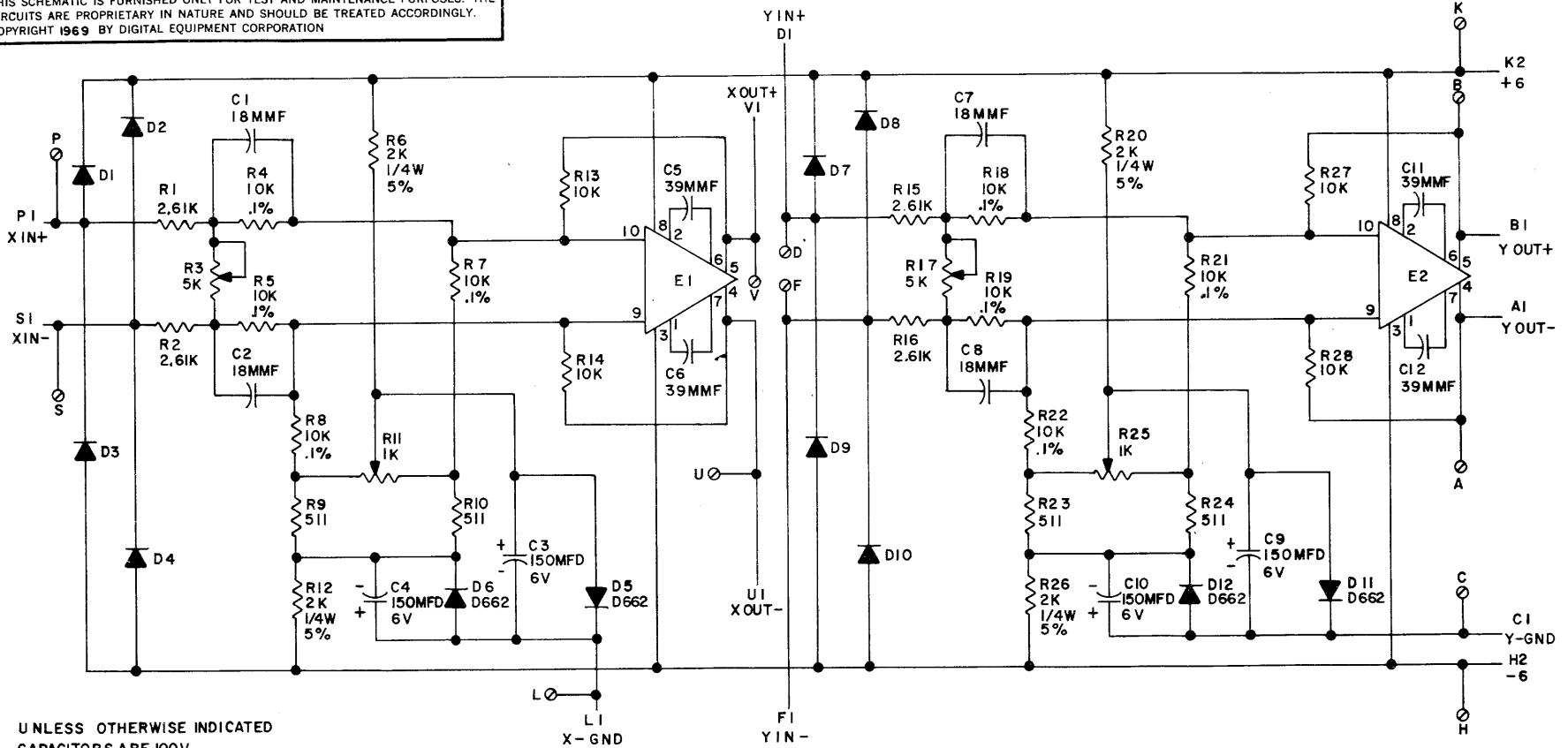


THIS SCHEMATIC IS FURNISHED ONLY FOR TEST AND MAINTENANCE PURPOSES. THE CIRCUITS ARE PROPRIETARY IN NATURE AND SHOULD BE TREATED ACCORDINGLY. COPYRIGHT 1969 BY DIGITAL EQUIPMENT CORPORATION



UNLESS OTHERWISE INDICATED  
 CAPACITORS ARE 100V  
 DIODES ARE D 664  
 E1, E2 ARE MC1520G OP-AMP  
 R3, R17 ARE ASM 6666  
 R11, R25 ARE ASM 6664  
 RESISTORS ARE 1/8W, 1%

REVISIONS CHK/CHG NO./REV.	DRN <i>B. Blum</i>	DATE 6-6-69	TRANSISTOR & DIODE CONVERSION CHART				 EQUIPMENT CORPORATION MAYNARD, MASSACHUSETTS	TITLE XY-CONTROL G917			
	CHK'D <i>M. Mihal</i>	DATE 6-12-69	DEC	EIA	DEC	EIA		SIZE B	CODE CS	NUMBER G917-0-1	REV.
	ENG.	DATE	D 662	IN645							
	PROD <i>W. H. H.</i>	DATE 8-7-69	D 664	IN3606							
							PRINTED CIRCUIT REV. <b>A</b>				