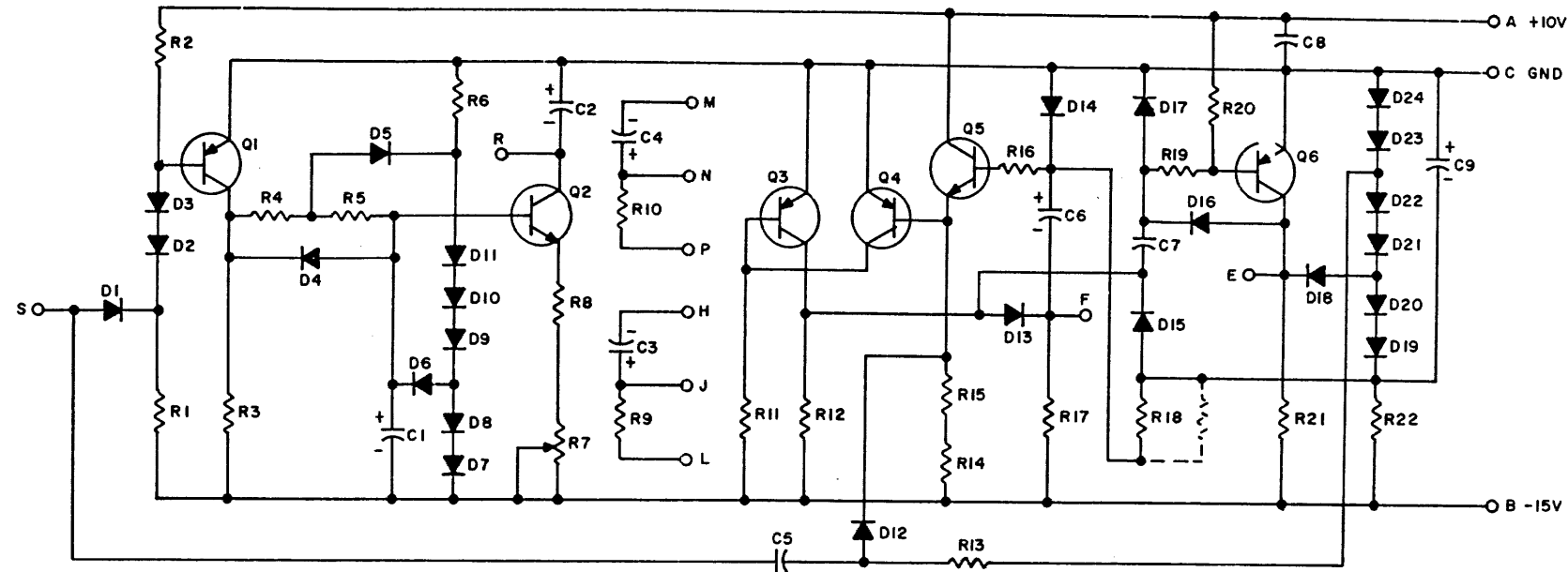


THIS SCHEMATIC IS FURNISHED ONLY FOR TEST AND MAINTENANCE PURPOSES. THE CIRCUITS ARE PROPRIETARY IN NATURE AND SHOULD BE TREATED ACCORDINGLY. COPYRIGHT 1968 BY DIGITAL EQUIPMENT CORPORATION



R9	RES. 12K 1/4W 5% CC	1300488
Q6	TRANSISTOR DEC2894-2B-S	1503098
Q3, Q4	TRANSISTOR DEC3639C	1502762-01
Q2, Q5	TRANSISTOR DEC3009B-S	1503100
Q1	TRANSISTOR DEC6534C	1503409-02
R21	RES. 7.5K 1/4W 5% CC	1301422
R19	RES. 47 1/4W 5% CC	1300202
R18	RES. 6.8K 1/4W 5% CC	1301423
R16	RES. 100 1/4W 5% CC	1300229
R13, R20	RES. 10K 1/4W 5% CC	1300479
R11, R12, R22	RES. 1.5K 1/4W 5% CC	1300391
R10	RES. 3.3K 1/4W 5% CC	1300439
R8	RES. 330 1/4W 5% CC	1300295
R7	RES. 5K #275P POT	1305451
R5	RES. 1.2K 1/4W 5% CC	1301320
R3, R4, R6, R17	RES. 1K 1/4W 5% CC	1300365
R2	RES. 100K 1/4W 5% CC	1302466
R1, R14, R15	RES. 15K 1/4W 5% CC	1300496
D2, D3, D7-D11, D19-D24	DIODE D662	1100113
D1, D4-D6, D12-D18	DIODE D664	1100114
C9	CAP. 39MFD 10V 10% S.TANT	1000076
C8	CAP. .01MFD 100V 20% DISC	1001610
C7	CAP. 330MMF 100V 5% D.M.	1000023
C5	CAP. 100MMF 100V 5% D.M.	1000016
C4	CAP. 2.2MFD 20V 10%	1002627
C3	CAP. 3.9MFD 10V 10% S.TANT	1000064
C2, C6	CAP. 1MFD 35V 10% S.TANT	1001776
C1	CAP. 6.8MFD 35V 10%	1005306
	PARTS LIST	A-PL-6913-0-0
REFERENCE DESIGNATION	DESCRIPTION	PART NO.

TRANSISTOR & DIODE CONVERSION CHART			
DEC	EIA	DEC	EIA
D662	1N645	DEC2894-2B	NONE
D664	1N3606		
DEC6534C	MP86534		
DEC3009B	2N3009		
DEC3639C	2N3639		

EQUIPMENT CORPORATION		MAYNARD, MASSACHUSETTS	
TITLE: CLOCK CONTROL G913		SIZE: C	CODE: CS
NUMBER: G913-0-1		REV.:	
PRINTED CIRCUIT REV.:		A	

REV. NO.	REV.

DEC FORM NO. DRC 102

D157 324 434 435 PINK