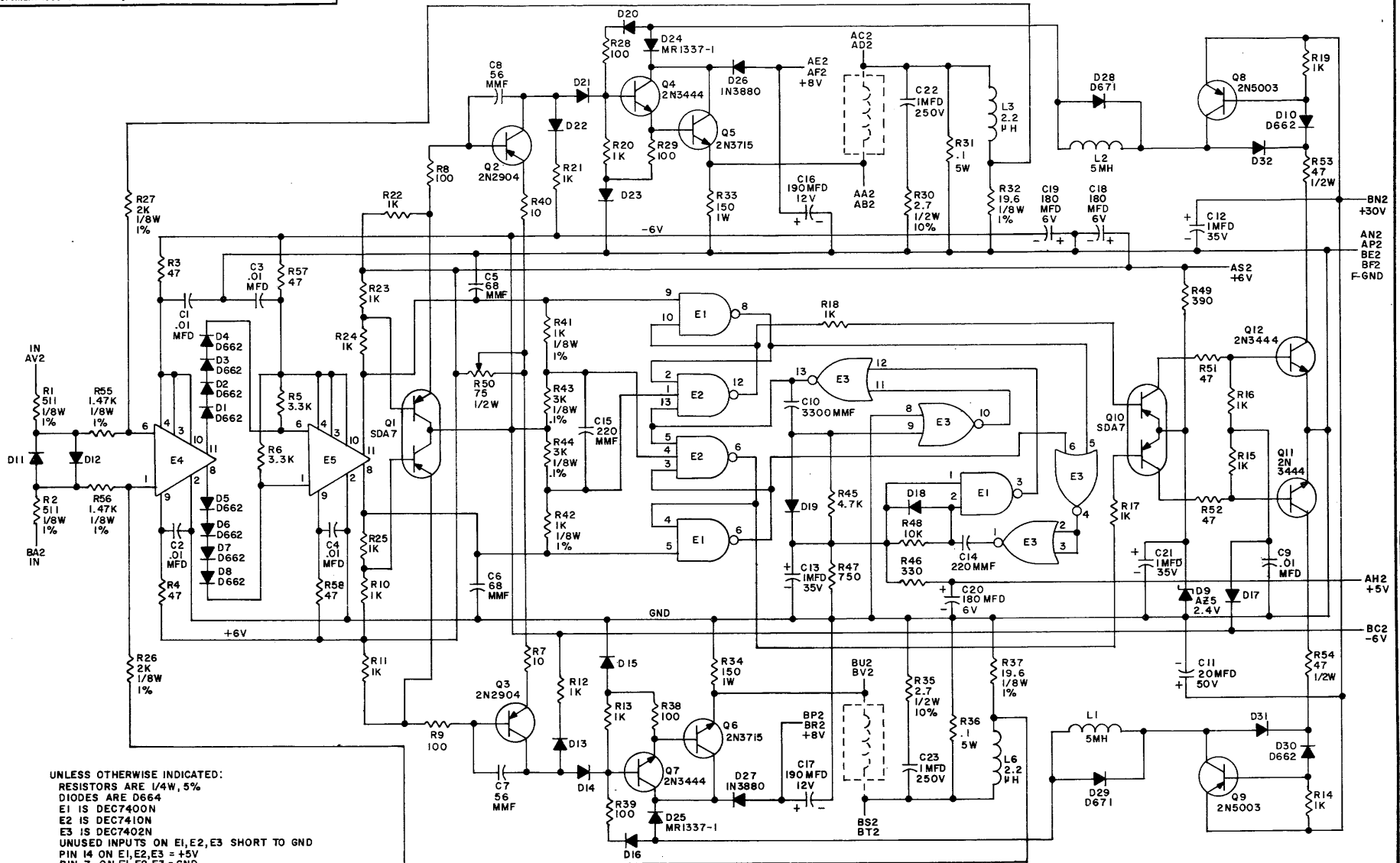


THIS SCHEMATIC IS FURNISHED ONLY FOR TEST AND MAINTENANCE PURPOSES. THE CIRCUITS ARE PROPRIETARY IN NATURE AND SHOULD BE TREATED ACCORDINGLY. COPYRIGHT 1969 BY DIGITAL EQUIPMENT CORPORATION



UNLESS OTHERWISE INDICATED:
 RESISTORS ARE 1/4W, 5%
 DIODES ARE D664
 E1 IS DEC7400N
 E2 IS DEC7410N
 E3 IS DEC7402N
 UNUSED INPUTS ON E1, E2, E3 SHORT TO GND
 PIN 14 ON E1, E2, E3 = +5V
 PIN 7 ON E1, E2, E3 = GND
 E4, E5 ARE CA3001
 DEFLECTION YOKE IS SHOWN DOTTED
 PINS AE2, AF2 ARE CONNECTED TO BP2, BR2
 WHEN BOARD IS PLUGGED INTO UNIT

REVISIONS
 CHG NO. REV.

DRN	DATE	2N2904 SAME			
		DEC	EIA	DEC	EIA
2N Miller	6-10-69	D662	IN645	2N3715	NONE
CHK'D	DATE	D664	IN3606	SDA7	SAME
W. Young	6-19-69	D671	IN3653	2N3444	NONE
ENG.	DATE	IN3880	SAME	2N5003	NONE
B. Sullivan	6-22-69	MR1337-1	NONE	AZ5 2.4V	NONE
PROD.	DATE				
3-2-70	6-2-69				

digital EQUIPMENT CORPORATION MAYNARD, MASSACHUSETTS	TITLE	DEFLECTION AMPLIFIER
	SIZE	NUMBER
CODE	CS	G912-0-1
PRINTED CIRCUIT REV.	8	