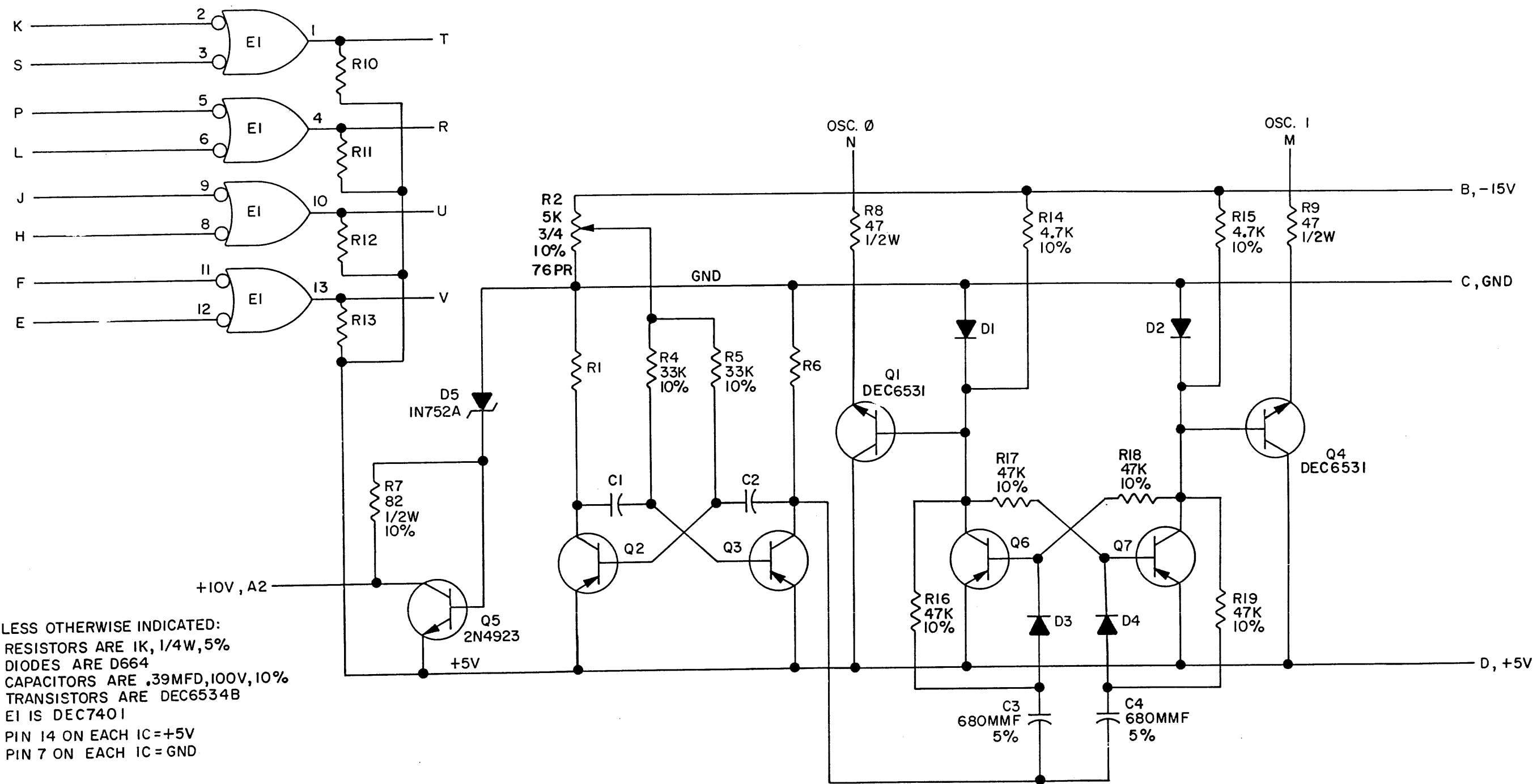


THIS SCHEMATIC IS FURNISHED ONLY FOR TEST AND MAINTENANCE PURPOSES. THE CIRCUITS ARE PROPRIETARY IN NATURE AND SHOULD BE TREATED ACCORDINGLY. COPYRIGHT 1969 BY DIGITAL EQUIPMENT CORPORATION



UNLESS OTHERWISE INDICATED:
 RESISTORS ARE 1K, 1/4W, 5%
 DIODES ARE D664
 CAPACITORS ARE .39MFD, 100V, 10%
 TRANSISTORS ARE DEC6534B
 EI IS DEC7401
 PIN 14 ON EACH IC = +5V
 PIN 7 ON EACH IC = GND

REVISIONS	CHK	CHG NO.	REV.
		00001	A
		00002	B
		00003	C

DRN. BUTLER	DATE 11-13-69
CHK'D	DATE 1/17-70
ENG. E. Lutting	DATE 1/24/69
PROD.	DATE

TRANSISTOR & DIODE CONVERSION CHART			
DEC	EIA	DEC	EIA
D664	IN3606		
DEC6534B	MPS6534B		
DEC6531	MPS6531		
2N4923	SAME		

digital
 EQUIPMENT CORPORATION
 MAYNARD, MASSACHUSETTS

TITLE CLOCK & REGULATOR G859			
SIZE B	CODE CS	NUMBER G859-0-1	REV. C
PRINTED CIRCUIT REV. A			