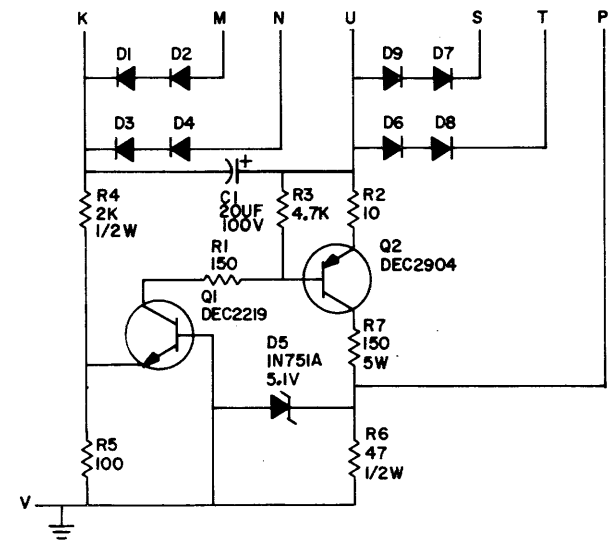


THIS SCHEMATIC IS FURNISHED ONLY FOR TEST AND MAINTENANCE PURPOSES. THE CIRCUITS ARE PROPRIETARY IN NATURE AND SHOULD BE TREATED ACCORDINGLY. COPYRIGHT 1970 BY DIGITAL EQUIPMENT CORPORATION



UNLESS OTHERWISE INDICATED:
 RESISTORS = 1/4W, 5%
 DIODES = IN4004

REVISIONS CHK/CHG NO REV.	

DRN <i>NANCY MOORE</i>	DATE <i>12/18/70</i>
CHK'D <i>Ordway</i>	DATE <i>23 DEC 70</i>
ENG <i>3 J. Olan</i>	DATE <i>2 29 70</i>
PROD.	DATE

TRANSISTOR & DIODE CONVERSION CHART			
DEC	EIA	DEC	EIA
IN4004	SAME	IN751A	SAME
DEC2904	2N1132	DEC2219	2N2219

digital
 EQUIPMENT CORPORATION
 MAYNARD, MASSACHUSETTS

TITLE FAULT PROTECTION BOARD G838			
SIZE B	CODE CS	NUMBER G838-0-1	REV.
PRINTED CIRCUIT REV.			A

PINK BLUE