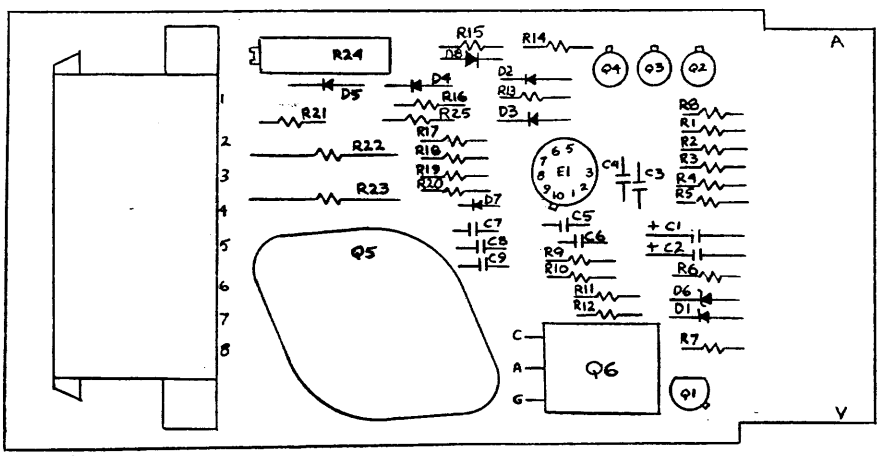
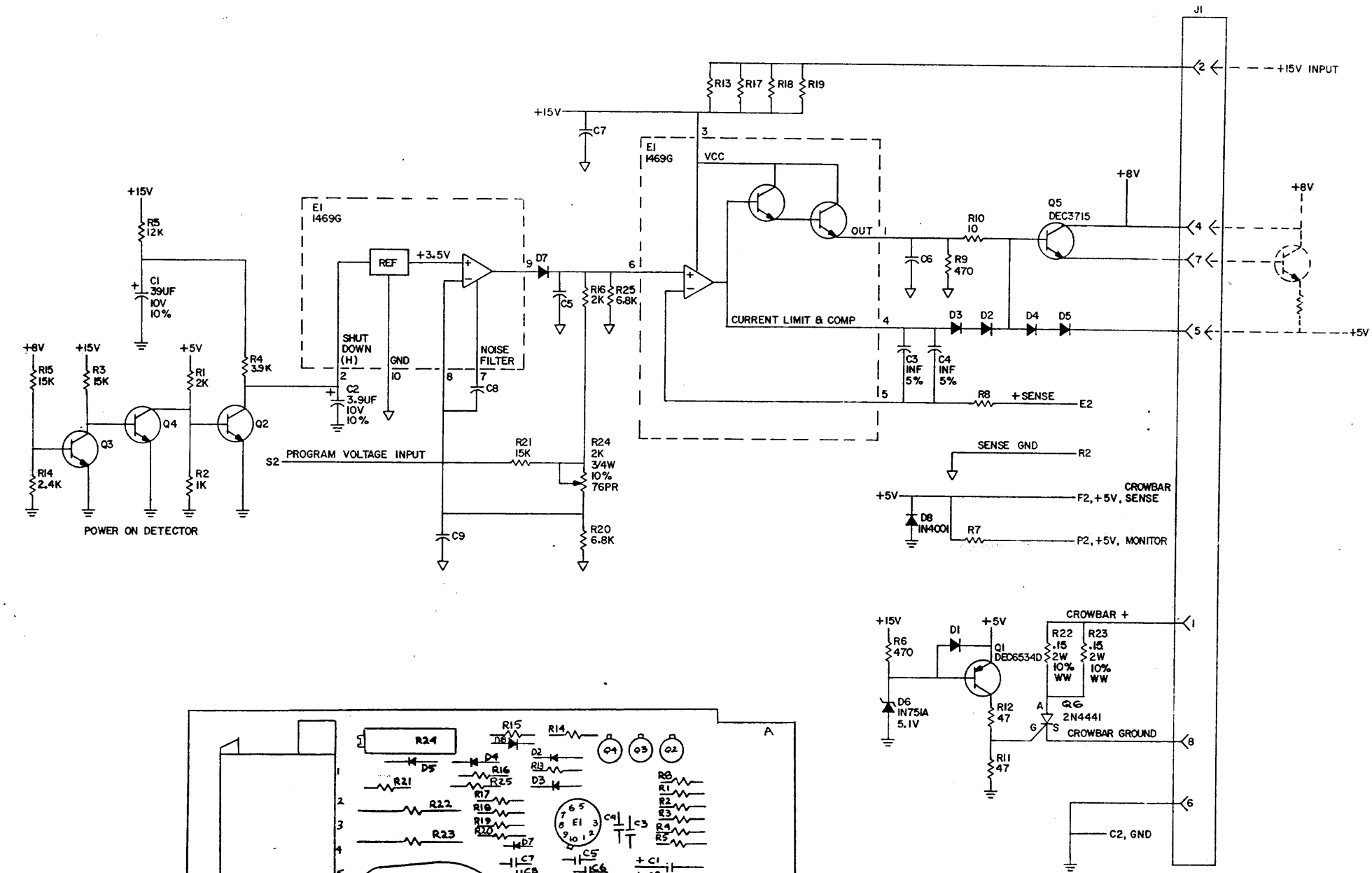


THIS SCHEMATIC IS FURNISHED ONLY FOR TEST AND MAINTENANCE PURPOSES. THE CIRCUITS ARE PROPRIETARY IN NATURE AND SHOULD BE TREATED ACCORDINGLY. COPYRIGHT 1970 BY DIGITAL EQUIPMENT CORPORATION

1-0-0689 53 0  
#38711N 1/15



ITEM NO.	DEC PART NO.	DESCRIPTION	QTY
36	1300488	RES. 12K 1/4W 5%	1
35	1300444	RES. 3.9K 1/4W 5%	1
34	1102942	DIODE 1N4001	1
33	1000076	CAP. .01UF 10V 10%	1
32			1
31	9006732	EYELET #GS 4-7	2
30	9006706	NYLON WASHER #4	2
29	9006557	4-40 KEP NUT	3
28	9006010-1	4-40 5/16" SCREW	2
27	1910261	I.C. DEC 1469G	1
26	1505867	RECTIFIER 2N 4941	1
25	1503409-00	TRANSISTOR DEC 6534D	1
24	1503100	TRANSISTOR DEC 3099B	1
23	1503066	TRANSISTOR DEC 3715	1
22	1309143-08	RES. 2K, 3/4W, 10% 76PR	1
21	1310147	RES. .15, 2W, 10% MW	2
20	1303177	RES. 2.4K, 1/4W, 5%	1
19	1302388	RES. .1, 5%	2
18	1301423	RES. 6.8K, 1/4W, 5%	2
17	1301317	RES. 10, 1/4W, 5%	1
16	1300496	RES. 15K, 1/4W, 5%	3
15	1300365	RES. 1K, 1/4W, 5%	1
14	1300316	RES. 470, 1/4W, 5%	2
13	1300229	RES. 100, 1/4W, 5%	6
12	1300202	RES. 47, 1/4W, 5%	1
11	1209456	PIN, SOCKET AMP 61320-1	1
10	1209340	PIN, HOUSING 81-400459-0	1
9	1105873	DIODE 1N751A 5.1V	1
8	1102161	DIODE D668	6
7	1000042	CAP. 1000 PF, 100V, 5% D.M.	2
6	1001610	CAP. .01UF, 100V, 5% MISC	8
5	1000064	CAP. 3.9UF, 10V, 10% S. TANT	1
4	5008712	ETCHED CIRCUIT BOARD	1
3	B-MI-G830-0-6	MODULE BCG HISTORY	
2	O-AH-G830-0-5	ASSY/DRILLING HOLE LAYOUT	
1	K-CU-G830-0-4	X-Y COORDINATE HOLE LOCATIONS	

UNLESS OTHERWISE INDICATED:  
 RESISTORS = 100, 1/4W, 5%  
 DIODES = D668  
 CAPACITORS = .01UF, 100V, 20%  
 TRANSISTORS = DEC3009B  
 J1 = AMP CONNECTOR 61320-1  
 PIN 1 IS GROUNDED IN THE BACKPLANE

2 (TWO) IN3806 IN SERIES

TRANSISTOR & DIODE CONVERSION CHART			
DEC	EA	DEC	EA
D668	D668	DEC3009B	2N3009
R179A	NAME	DEC3340	MC56324
DEC3715	2N3715		

digital EQUIPMENT CORPORATION  
 TITLE: +5V REGULATOR G830  
 PARTS LIST  
 NUMBER: G830-0-1  
 REV: K