

G829 Power Connector

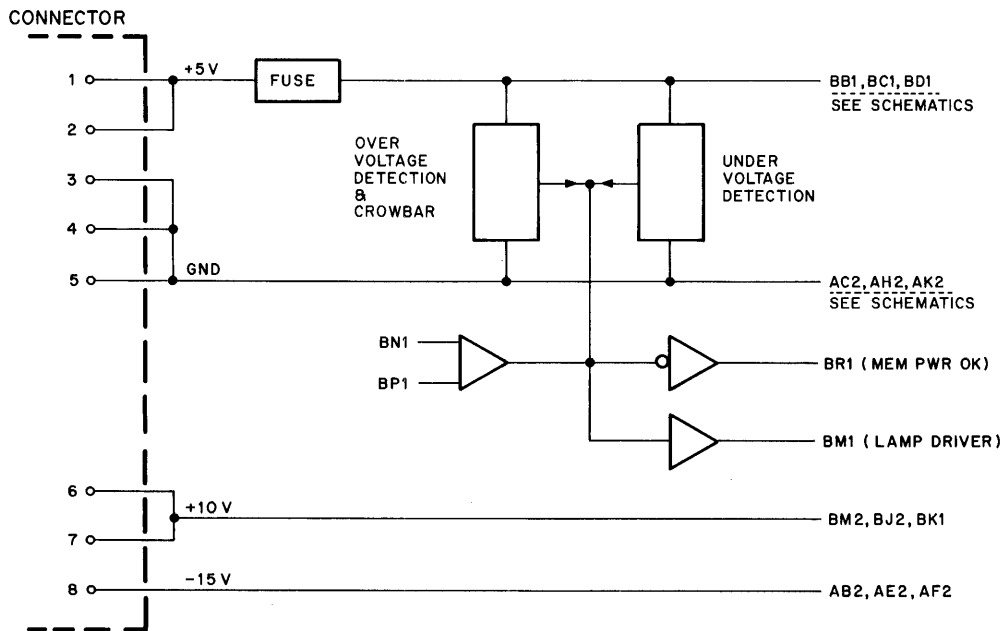
The G829 module is a power connector with over-voltage, under-voltage, and over-current protection circuits. This module connects the +5V to the peripherals of the PDP-15. Combinational logic circuits are also included in the module to provide lamp driver and power OK signals when the peripheral voltages are within set levels. Rotating the voltage detection potentiometer CCW lowers the low voltage limit. The potentiometer is normally set to detect voltage below 4.75V. The input power connections to the module are made with an 8-pin mate-in-lock connector at the back of the module.

The following are the input, output, and power characteristics of the G829 module.

INPUTS: The inputs to the G829 module are +5V, +10V, -15V, and ground. These voltages are supplied by the 721 power supply. The module also receives positive power OK signals from associated power supplies.

OUTPUTS: The outputs of the G829 module are:

- a. +5V at 10A (maximum) with the same regulation as the input, +10V at 2.5A (maximum) with the same regulation as the input, and -15V at 3.5A (maximum) with the same regulation as the input;



15-0131

G829 Simplified Diagram