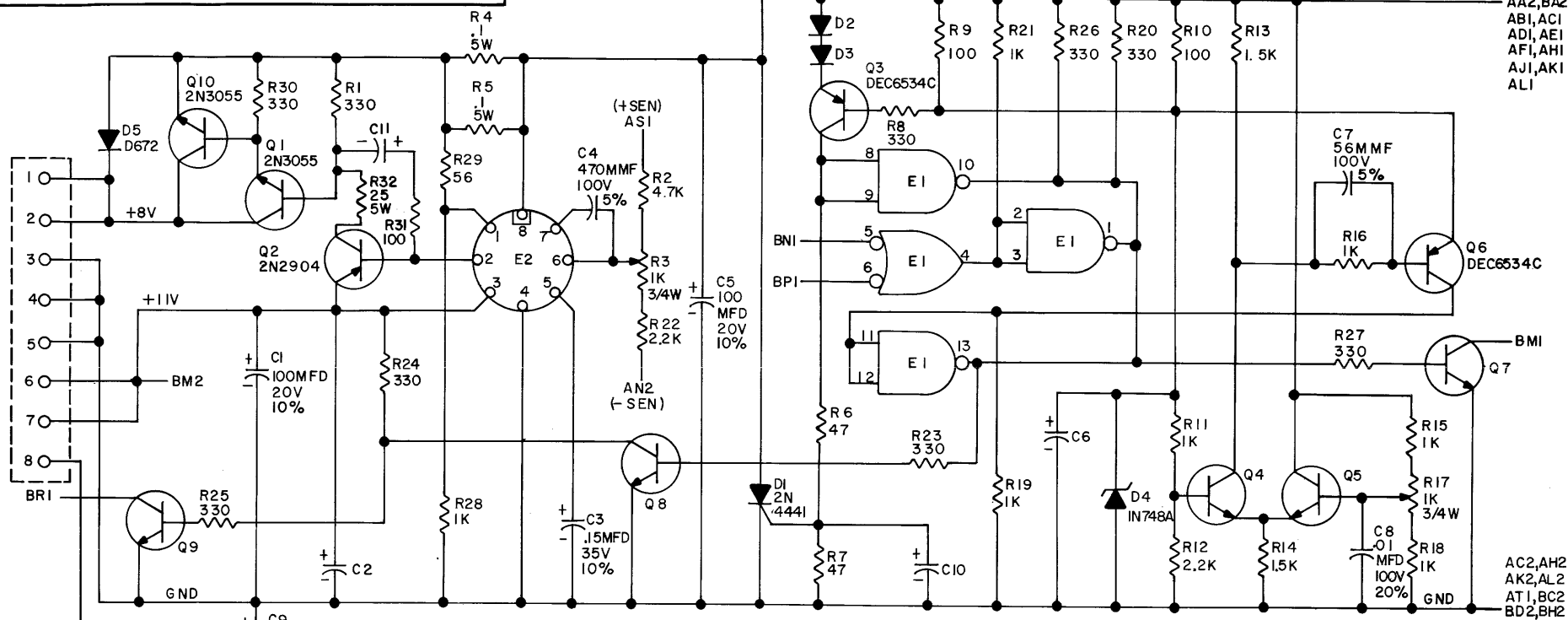


REV. B
 NUMBER G821-0-1
 SIZE CODE B CS

THIS SCHEMATIC IS FURNISHED ONLY FOR TEST AND MAINTENANCE PURPOSES. THE CIRCUITS ARE PROPRIETARY IN NATURE AND SHOULD BE TREATED ACCORDINGLY. COPYRIGHT 1969 BY DIGITAL EQUIPMENT CORPORATION



UNLESS OTHERWISE INDICATED
 PIN 7 ON E1=GND
 PIN 14 ON E1=+5V
 E1 IS DEC7401N
 E2 IS LM300
 CAPACITORS ARE 1MFD, 35V, 10%
 DIODES ARE D664
 RESISTORS ARE 1/4W 5%
 R3, R17 ARE POTS #76PR
 TRANSISTORS ARE DEC3009B

BB1,BC1
 BD1,BE1
 AA2,BA2
 AB1,AC1
 AD1,AE1
 AF1,AH1
 AJ1,AK1
 AL1

AC2,AH2
 AK2,AL2
 AT1,BC2
 BD2,BH2
 BK2,BL2
 BT1

G821-3

REV. NO.	CHK	CHG	NO.	REV.
1	✓	✓	0001	A
2	✓	✓	0002	B

DRN.	<i>G. Malone</i>	DATE	7-29-69
CHK'D BY	<i>V. D. Hallette</i>	DATE	8/5/69
ENG.	<i>V. S. Connor</i>	DATE	10/3/69
PROD.		DATE	

TRANSISTOR & DIODE CONVERSION CHART			
DEC	EIA	DEC	EIA
D664	1N3606	2N2904	SAME
D672	1N3653	2N3055	NONE
IN748A	SAME		
DEC3009B	2N3009B		
DEC6534B	MPS6534		

digital
 EQUIPMENT CORPORATION
 MAYNARD, MASSACHUSETTS

TITLE		+5V REGULATOR CONTROL G821	
SIZE	CODE	NUMBER	REV.
B	CS	G821-0-1	B
PRINTED CIRCUIT REV.			F

DEC FORM NO. DRB 102

DISP. 32,4,434,435² PINK