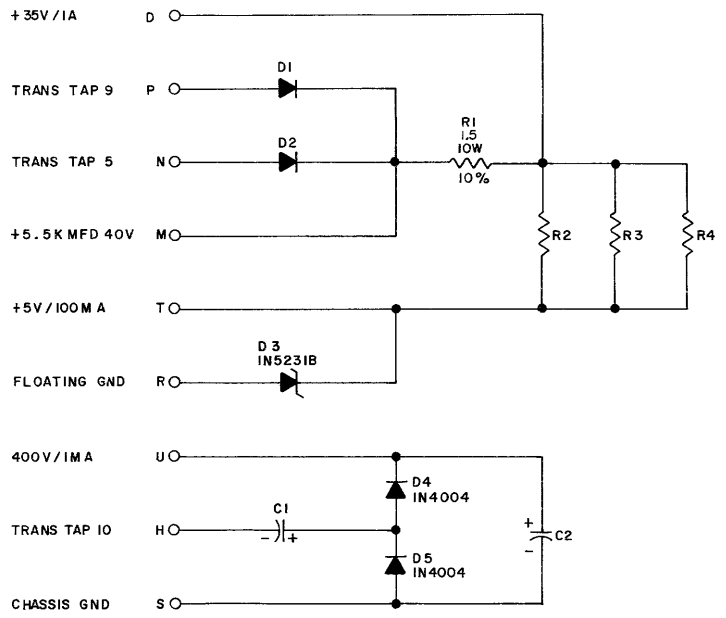


THIS SCHEMATIC IS FURNISHED ONLY FOR TEST AND MAINTENANCE PURPOSES. THE CIRCUITS ARE PROPRIETARY IN NATURE AND SHOULD BE TREATED ACCORDINGLY. COPYRIGHT 1969 BY DIGITAL EQUIPMENT CORPORATION



UNLESS OTHERWISE INDICATED:  
CAPACITORS ARE 10 MFD 450V  
DIODES ARE MR1033B  
RESISTORS ARE 1K 2W 5%

REVISIONS	CHK	CHG	NO	REV.	C	D
					00001	
					00002	

DRN	<i>Hutton</i>	DATE	9-20-69
CHK'D	<i>Hutton</i>	DATE	12-16-69
ENG	<i>R. L. ...</i>	DATE	2-2-70
PROD	<i>R. L. ...</i>	DATE	1-23-70

TRANSISTOR & DIODE CONVERSION CHART			
DEC	EIA	DEC	EIA
MR1033B	SAME		
IN5231B	SAME		
IN4004	SAME		

**digital**  
EQUIPMENT CORPORATION  
MAYNARD, MASSACHUSETTS

TITLE				POWER SUPPLY B2 G818			
SIZE	CODE	NUMBER	REV.				
B	CS	G818-0-1	D				
PRINTED CIRCUIT REV.			B				