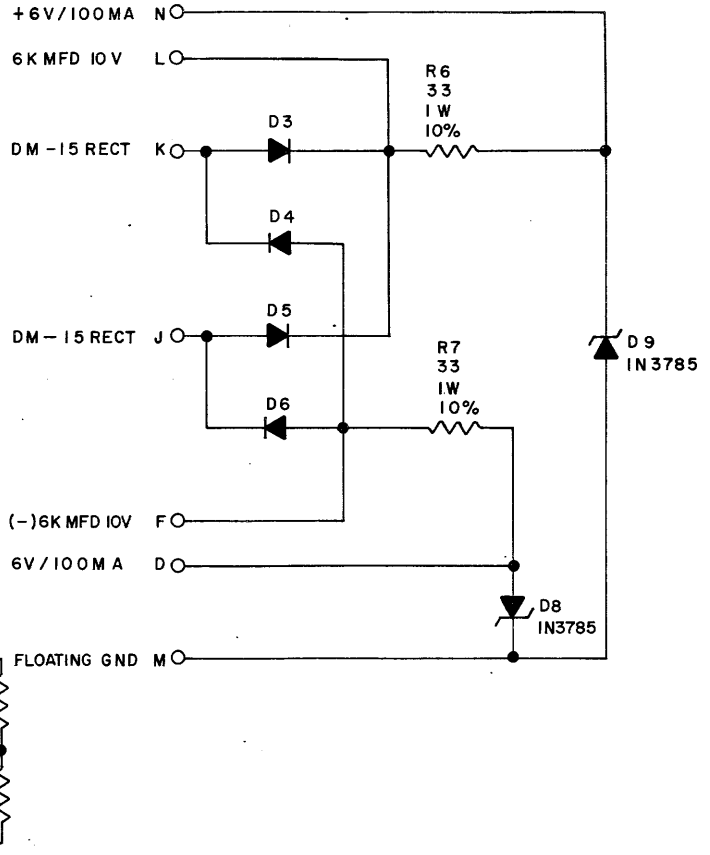
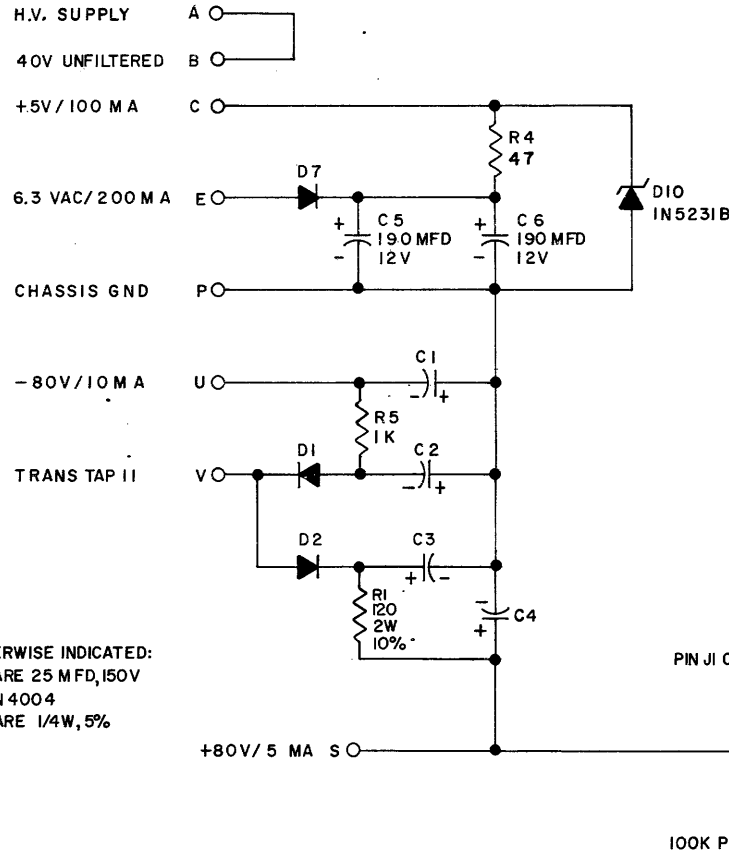


THIS SCHEMATIC IS FURNISHED ONLY FOR TEST AND MAINTENANCE PURPOSES. THE CIRCUITS ARE PROPRIETARY IN NATURE AND SHOULD BE TREATED ACCORDINGLY. COPYRIGHT 1969 BY DIGITAL EQUIPMENT CORPORATION



UNLESS OTHERWISE INDICATED:
 CAPACITORS ARE 25 MFD, 150V
 DIODES ARE IN 4004
 RESISTORS ARE 1/4W, 5%

REVISIONS	CHK	CHG NO.	REV.
1	1	00001	B

DRN.	DATE
CHK'D	DATE
ENG.	DATE
PROD.	DATE

TRANSISTOR & DIODE CONVERSION CHART			
DEC	EIA	DEC	EIA
IN5231B	SAME		
IN3785	SAME		
IN4004	SAME		

digital

EQUIPMENT CORPORATION

MAYNARD, MASSACHUSETTS

TITLE			
POWER SUPPLY BI			
G817			
SIZE	CODE	NUMBER	REV.
B	CS	G817-0-1	B
PRINTED CIRCUIT REV.			A