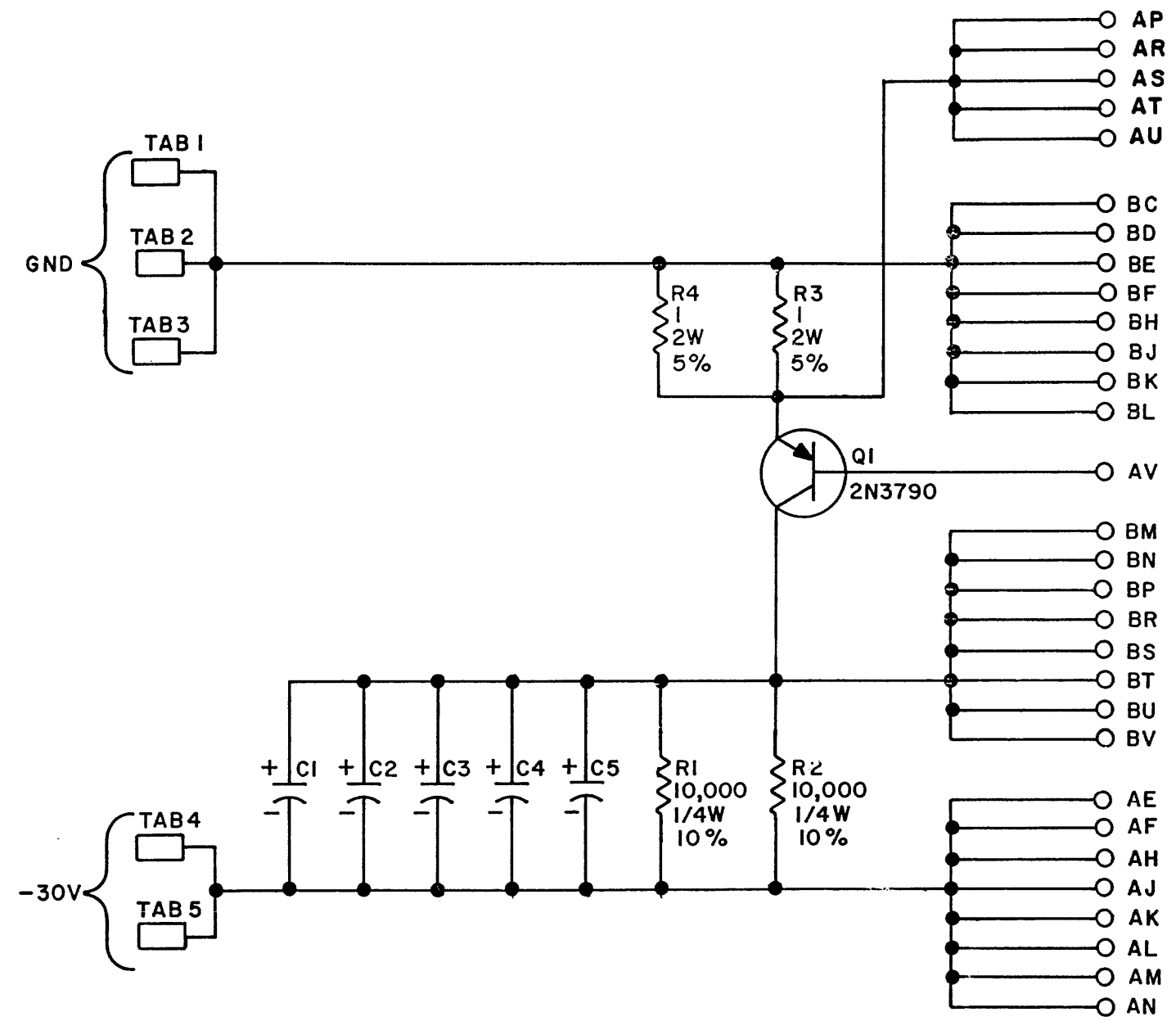


THIS SCHEMATIC IS FURNISHED ONLY FOR TEST AND MAINTENANCE PURPOSES. THE CIRCUITS ARE PROPRIETARY IN NATURE AND SHOULD BE TREATED ACCORDINGLY. COPYRIGHT 1966 BY DIGITAL EQUIPMENT CORPORATION



UNLESS OTHERWISE INDICATED:

- CAPACITORS ARE 20MFD 50V, -10+75%
- TABS ARE 250 SERIES FASTON TABS TYPE 60465-2 (AMP INC)
- Q1 IS MOUNTED ON HEAT SINK, WAKEFIELD TYPE NC-623-A USING AN ANODIZED ALUMINUM INSULATING WASHER & WAKEFIELD TYPE 120 THERMAL JOINT COMPOUND

PARTS LIST A-PL-G805-0-0

REVISIONS	CHK	CHG NO.	REV.
		5902	B
		6468	C
			D
			E
		7072	F
		00002	H

DRN.	DATE
CHK'D	DATE
ENG.	DATE
PROD.	DATE

TRANSISTOR & DIODE CONVERSION CHART			
DEC	EIA	DEC	EIA
2N3790	SAME		

**digital**  
EQUIPMENT CORPORATION  
MAYNARD, MASSACHUSETTS

TITLE		NEGATIVE REGULATOR G805	
SIZE	CODE	NUMBER	REV.
B	CS	G805-0-1	H
PRINTED CIRCUIT REV.			EF