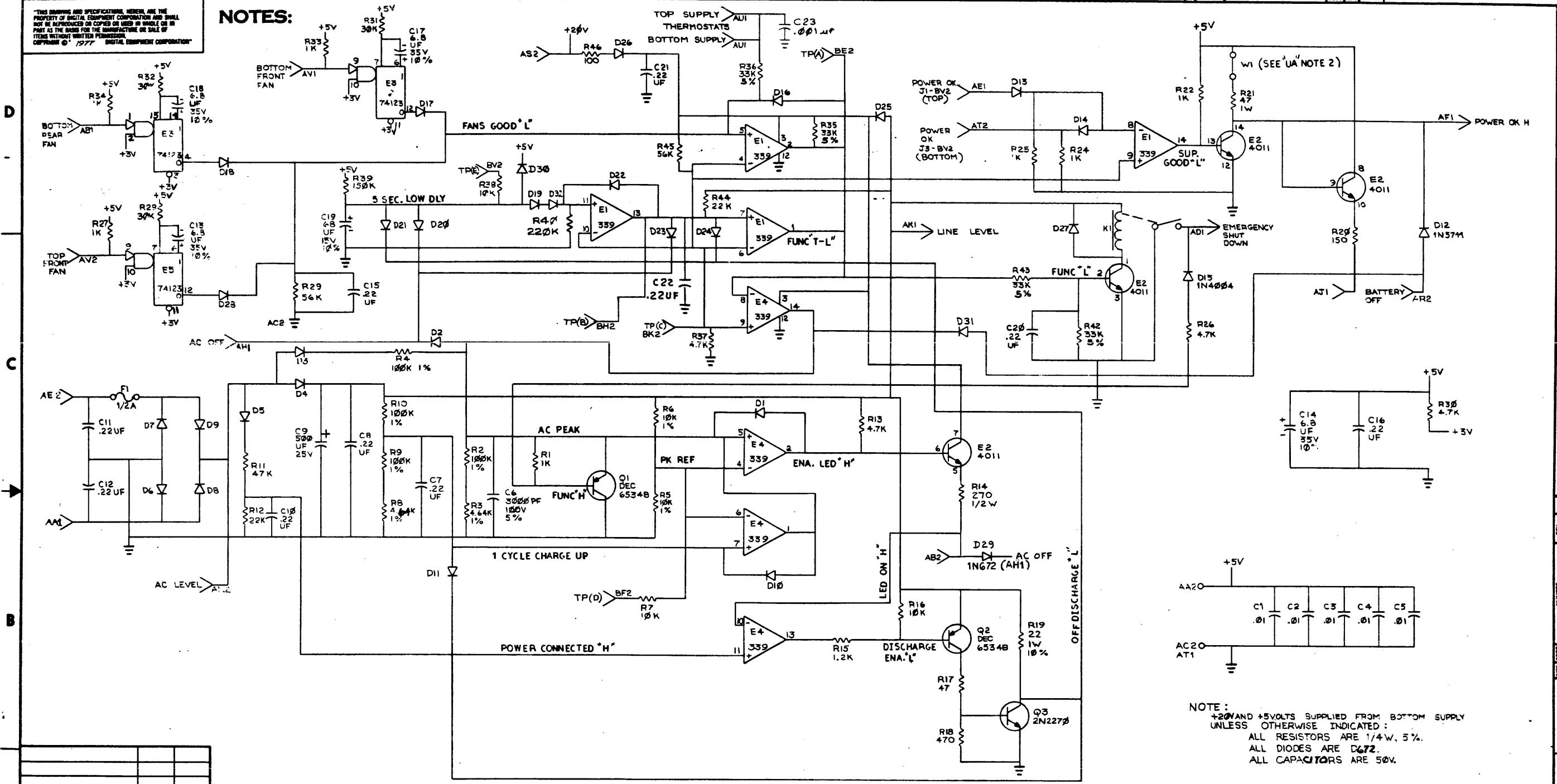


THIS DRAWING AND SPECIFICATIONS HEREIN ARE THE PROPERTY OF DIGITAL EQUIPMENT CORPORATION AND SHALL NOT BE REPRODUCED OR COPIED OR USED IN WHOLE OR IN PART AS THE BASIS FOR THE MANUFACTURE OR SALE OF ITEMS WITHOUT WRITTEN PERMISSION.
COPYRIGHT © 1977 DIGITAL EQUIPMENT CORPORATION

NOTES:



NOTE:
+20V AND +5V SUPPLIED FROM BOTTOM SUPPLY
UNLESS OTHERWISE INDICATED:
ALL RESISTORS ARE 1/4W, 5%.
ALL DIODES ARE D672.
ALL CAPACITORS ARE 50V.

IC TYPE	GND	+5V
GND AND 5V ARE USUALLY PIN 7 AND 14 RESPECTIVELY EXCEPTIONS ARE STATED ABOVE		
IC PIN LOCATIONS		

DESIGNED BY	D. FRENIERE
CHECKED BY	E. FERNAND
ENG. BY	J. L. JONES
PROJ. ENG.	A. BUCKNER
PROD.	J. V. NEW
DATE	3 MAY 77
DATE	11/11/77
DATE	12-8-77
DATE	1-6-77
DATE	7/21/77

QTY	REF. DESIGNATION	DESCRIPTION	PART NO.	ITEM NO.								
8/A	ETCH BOARD REV. B	PARTS LIST										
<table border="1"> <tr> <td>DEC. NO.</td> <td>EIA NO.</td> <td>DEC. NO.</td> <td>EIA NO.</td> </tr> <tr> <td></td> <td></td> <td></td> <td></td> </tr> </table>					DEC. NO.	EIA NO.	DEC. NO.	EIA NO.				
DEC. NO.	EIA NO.	DEC. NO.	EIA NO.									
<table border="1"> <tr> <td>SCALE</td> <td>OF</td> <td>SHEET</td> <td>OF</td> </tr> <tr> <td></td> <td></td> <td></td> <td></td> </tr> </table>					SCALE	OF	SHEET	OF				
SCALE	OF	SHEET	OF									

digital

TITLE
POWER DISTRIBUTION BOARD CONTROL

SIZE CODE
D CS

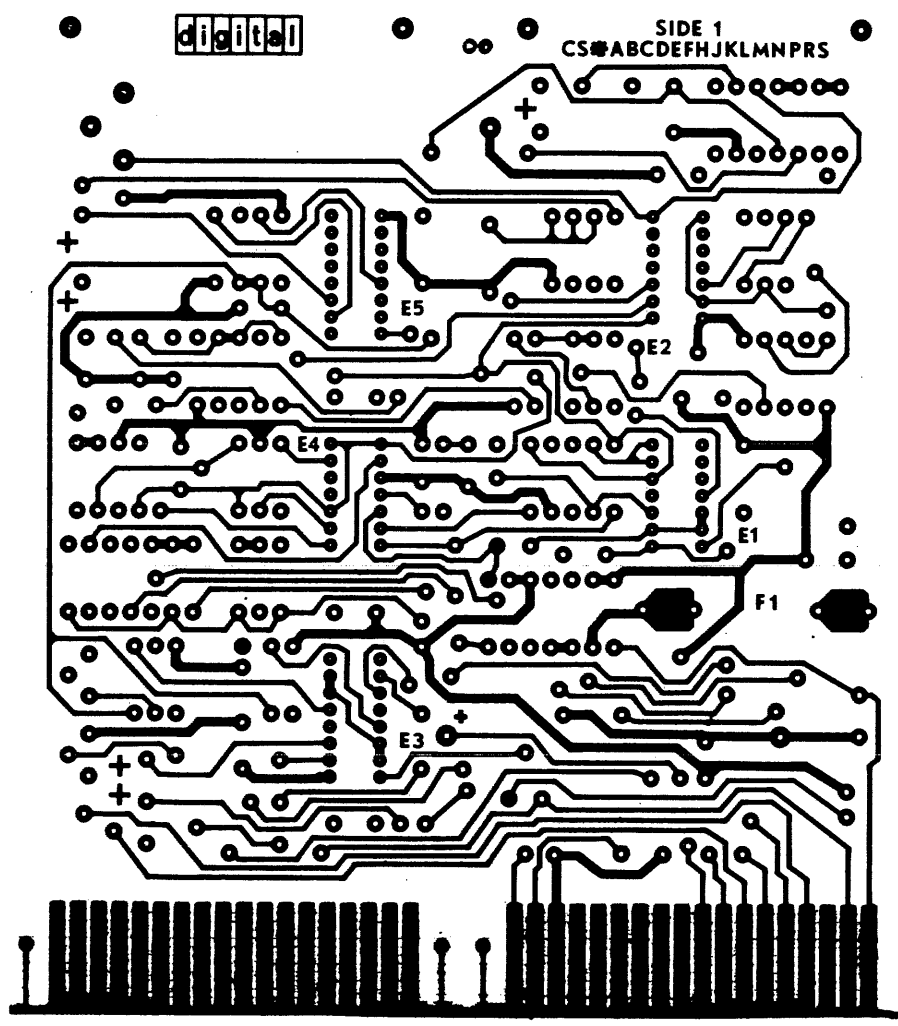
NUMBER
G8019-0-1

REV.
F

SEMICONDUCTOR CONVERSION CHART

THIS DRAWING AND SPECIFICATIONS HEREIN ARE THE PROPERTY OF DIGITAL EQUIPMENT CORPORATION AND SHALL NOT BE REPRODUCED OR COPIED OR USED IN WHOLE OR IN PART AS THE BASIS FOR THE MANUFACTURE OR SALE OF ITEMS WITHOUT WRITTEN PERMISSION. COPYRIGHT © 1968 DIGITAL EQUIPMENT CORPORATION

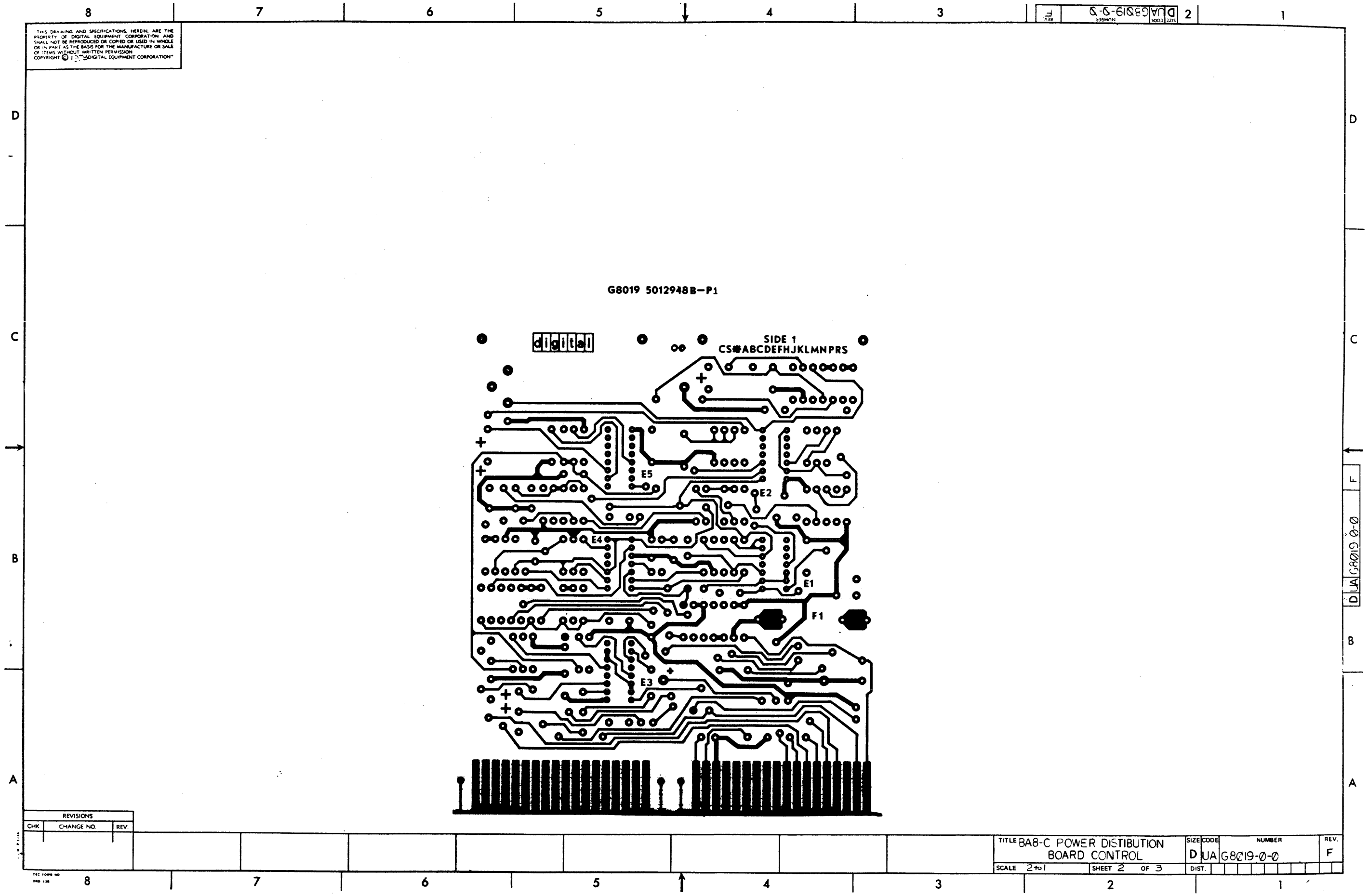
G8019 5012948B-P1



REVISIONS		
CHK	CHANGE NO.	REV.

TITLE	BA8-C POWER DISTRIBUTION BOARD CONTROL	SIZE/CODE	D UA G8019-0-0	NUMBER		REV.	F
SCALE	2+1	SHEET	2	OF	3	DIST.	

D UA G8019 0-0



8

7

6

5

4

3

D U A G 8 0 1 9 - 0 - 0 2

1

THIS DRAWING AND SPECIFICATIONS HEREIN ARE THE PROPERTY OF DIGITAL EQUIPMENT CORPORATION, AND SHALL NOT BE REPRODUCED OR COPIED OR USED IN WHOLE OR IN PART AS THE BASIS FOR THE MANUFACTURE OR SALE OF ITEMS WITHOUT WRITTEN PERMISSION. COPYRIGHT © 1973 DIGITAL EQUIPMENT CORPORATION

D

D

C

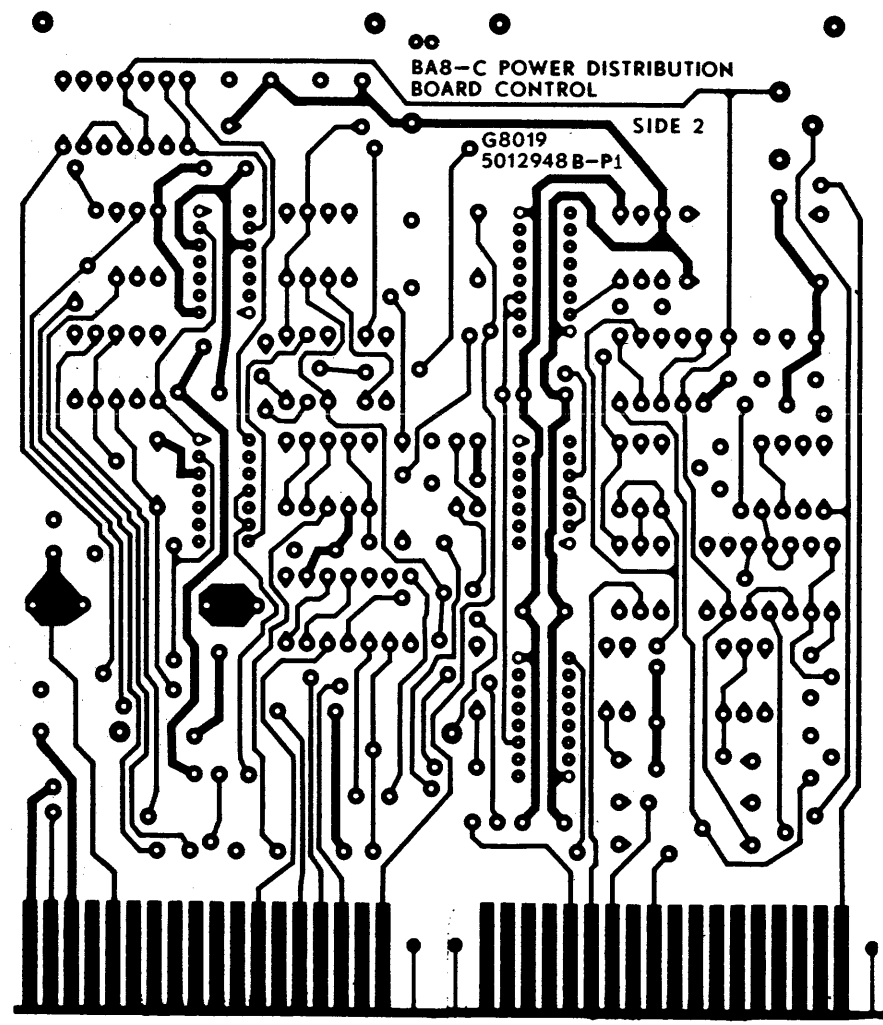
C

B

B

A

A



BA8-C POWER DISTRIBUTION BOARD CONTROL

SIDE 2

G8019 5012948 B-P1

REVISIONS		
CHK	CHANGE NO	REV

TITLE	BA8-C POWER DISTRIBUTION BOARD CONTROL	SIZE CODE	D U A G 8 0 1 9 - 0 - 0	NUMBER	2	REV.	F
SCALE	2+0:1	SHEET	3	OF	3	DIST.	

D U A G 8 0 1 9 - 0 - 0

8

7

6

5

4

3

2

1