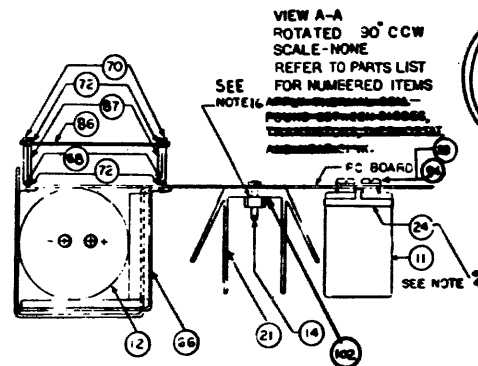


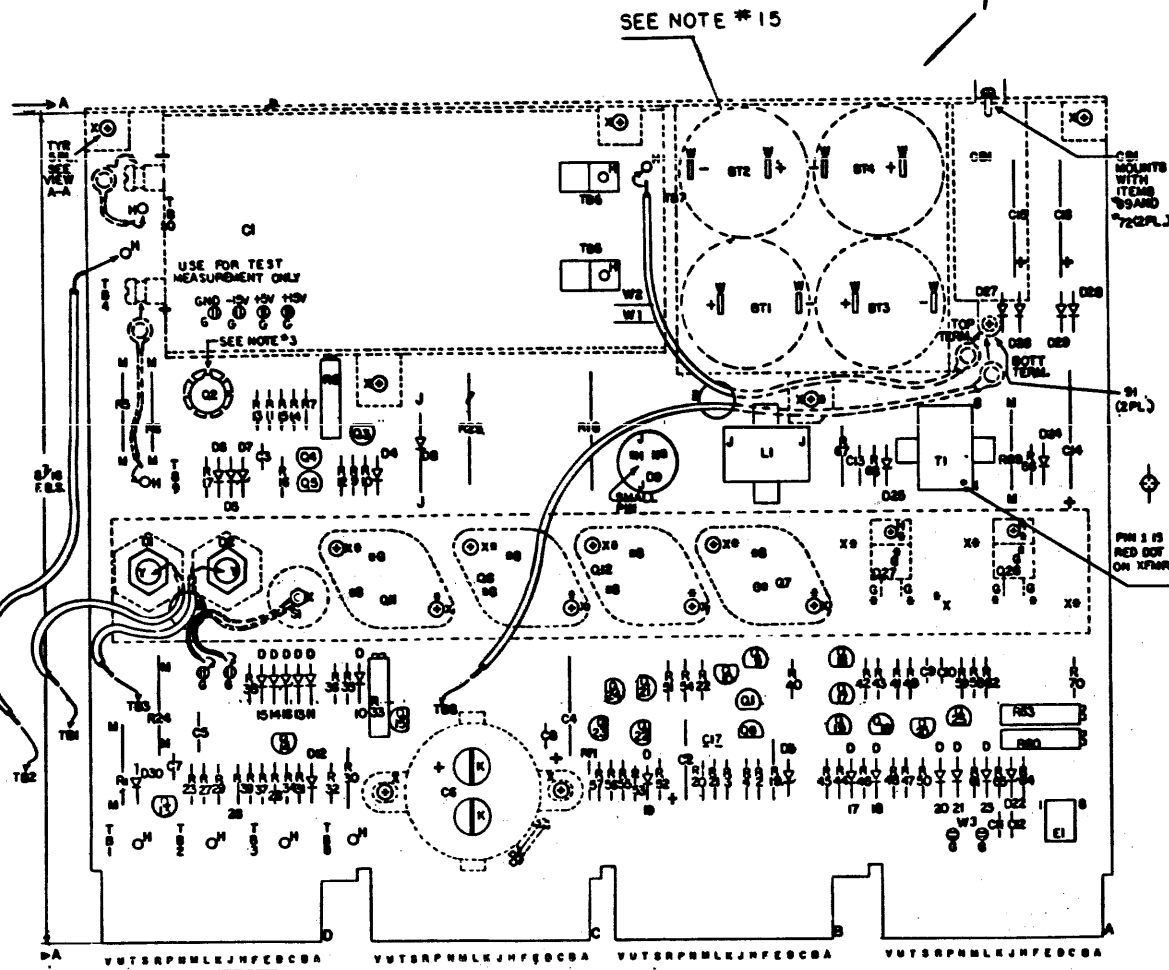
THIS DRAWING AND SPECIFICATIONS HEREIN ARE THE PROPERTY OF DIGITAL EQUIPMENT CORPORATION AND SHALL NOT BE REPRODUCED OR COPIED OR USED IN WHOLE OR IN PART AS THE BASIS FOR THE MANUFACTURE OR SALE OF ITEMS WITHOUT WRITTEN PERMISSION FROM DIGITAL EQUIPMENT CORPORATION © 1974, DIGITAL EQUIPMENT CORPORATION

**NOTES:**

1. TRANSISTOR DEC 2N5362, 1510196 MAY BE USED AS A SECOND SOURCE FOR ITEM # 62. TRANSISTOR DEC D44H8 1511654.
2. ALL COMPONENTS SHOWN BY A BROKEN LINE MOUNT ON SIDE 2.
3. TRANSISTOR PAD MOUNTS UNDER Q2, AND HEAT SINK MOUNTS ON Q2. REFER TO PARTS LIST, ITEM #25 AND #77.
4. ITEM #24 BRKT IS MOUNTED ON BOARD WITH ITEM #68, 73, AND #81 (2 PL).
5. Q6, Q7, Q11 AND Q12 ARE MOUNTED WITH ITEM #73, 78, 81, 92 AND 101.
6. S1 MOUNTS WITH ITEM 73, 81 AND 92 (1 PLACE). Q26 AND Q27 ARE MOUNTED WITH ITEM #67, #71, 74, 92 AND 103.
9. PHYSICAL IS MADE IN REVERSE, SIDE 1 IS LIGHT, SIDE 2 IS DARK.
10. INSERT JUMPER W3 FOR 50HZ. OPERATION.
11. JUMPERS W1, W2 SHOULD BE INSTALLED AFTER TEST.
12. PLACE FORMS TO BE FILLED IN.
13. SEE NOTE #16 FOR TORQUE VALUES.
14. FOR HANDLING AND SOLDERING REQUIREMENTS OF 151170 LEAD ACID BATTERIES (ITEM #23) SEE A-5P-7445252-D-0



16. APPLY THERMAL COMPOUND TO SIDES OF ALL THERMAL INSULATORS AND TO BOTTOM OF THERMOSTAT.



17. BELOW IS LISTED TORQUE VALUES TO BE USED IN ASSEMBLY:

SIZE OF SCREW	SECURING	TORQUE VALUE (INCH/LB)
10-32	SCREWS... SECURING PC BOARD TO C6	14
10-32	SCREWS... SECURING THE CRIMPS TO C1	14
6-32	SCREWS... HOLDING PC BOARD TO THE CHASSIS	14
6-32	SCREWS... ON THE TRANSISTORS Q6, Q7, Q11, Q12	14
4-40	SCREWS... ON THE TRANSISTORS Q26, Q27	10
	NUTS... HOLDING THE DIODES, D1 & D2	20
	NUT... HOLDING THERMOSTAT, S1	10
6-32	SCREWS... HOLDING THE CIRCUIT BREAKER TO CHASSIS	14
6-32	SCREWS... HOLDING BATTERY SHIELD TO CHASSIS	14
6-32	SCREWS... HOLDING CRIMPS TO CIRCUIT BREAKER	14

**NOTE:**  
TO ACHIEVE TRUE TORQUE READINGS, ALWAYS USE A NUT DRIVER ON ONE SIDE AND A TORQUE DRIVER ON THE OTHER WHERE A SCREW AND A REP NUT ASSEMBLY IS INVOLVED.  
O.C. TOLERANCE: INSPECT TO MINUS (-) 2 INCH/LB OF ASSEMBLED TORQUE VALUES.

**CAUTION:**  
OFF SHEET P/L DATA BASE PER 68016-MK006

REF	X-Y COORDINATE HOLE LOCATION	E-CO-68016-0-1	A
REF	ASST/DRILLING HOLE LAYOUT	D-AN-68016-0-5	2
REF	MODULE ECO HISTORY	D-IN-68016-0-0	3
1	ETCHED CIRCUIT BOARD	D-3A-500984-0-0	4
2	C8, C9	CAP .1 UF 100V 205 DISC	5
7	C4	CAP 100 UF 6V 205 STANT	6
8	C3, C9, C10, C11, C12	CAP .01 UF 100V 205 DISC	7
3	C14, C15, C16	CAP 100 UF 25V -105 + 75% ELECT	8
1	C2	CAP 22 UF 6V 105 STANT	9
2	C7, C8	CAP .22 UF 50V -205 + 00% CER	10
1	C6	CAP 6000 UF 10V -105 + 75% ELECT	11
1	C1	CAP J1F 10V	12
7	D6, D8, D11, D12, D13, D14, D15	DIODE D082	13
2	D1, D2	DIODE 1N1183	14
10	D18, D17, D16, D15, D20, D21, D22, D24, D25, D30	DIODE D072	15
5	D4, D28, D27, D26, D29	DIODE 1N4004	16
1	D6	DIODE M752	17
2	D7, D22	DIODE 1N751A ZENER	18
2	D3, D10	DIODE SCREENED 5.7V 25 ZENER	19
1	S1	THERMOSTAT	20
1		HEAT SINK	21
1	C01	CIRCUIT BREAKER 25A	22
4	B71, B72, B73, B74	BATTERY 9-CELL	23
1		BRACKET	24
1		HEAT SINK Y-06 TRANSISTOR MOUNTED	25
3	R9, R8, R50	RES. 10 1/4W 5%	26
2	R26, R42	RES. 47 1/4W 5%	27
1	R1	RES. 100 1/4W 5%	28
7	R71, R4, R22, R28, R30, R50, R57	RES. 100 1/4W 5%	29
2	R12, R47	RES. 120 1/4W 5%	30
2	R27, R43	RES. 450 1/4W 5%	31
4	R10, R17, R20, R54	RES. 220 1/4W 5%	32
9	R3, R15, R37, R84, R46	RES. 330 1/4W 5%	33
13	R11, R13, R20, R21, R39, R40, R41, R48, R52, R55, R60, R66, R70	RES. 1K 1/4W 5%	34
2	R14, R50	RES. 1.5K 1/4W 5%	35
8	R23, R44, R45, R46, R51, R56	RES. 9.3K 1/4W 5%	36
1	R38	RES. 10 1/4W 5%	37
1	R40	RES. 100 1/4W 5%	38
1	R2	RES. 82 1/4W 5%	39
1	R10	RES. 56 0W 5%	40
2	R18, R82	RES. 511 1/4W 15 WF	41
1	R24	RES. 50 2W 5%	42
1	R34	RES. 100 1/4W 15 WF	43
1	R7	RES. 1.21K 1/4W 15 WF	44
1	R31	RES. 100 1/4W 15 WF	45
1	R59	RES. 464 1/4W 15 WF	46
2	R19, R25	RES. 1 5W 105 W	47
1	R32	RES. 1.50K 1/4W 15 WF	48
2	R8, R61	RES. 383 1/4W 15 WF	49
1	R53	RES. 27K 1/4W 5%	50
1	R8, R33, R80	RES. 100 3/4W 105 POT 75 PR	51
1	R83	RES. 5K 3/4W 105 POT 75 PR	52

72741	4	7
IC TYPE	GND	+5V
GND AND 5V ARE USUALLY PIN 7 AND 14 RESPECTIVELY EXCEPTS ARE STATED ABOVE		
IC PIN LOCATIONS		

REV	DATE	BY	CHK	DESCRIPTION
1	10-17-74	A. DELUCA		ORIGINAL
2	11-17-74	A. DELUCA		ORIG INATED
3	12-17-74	A. DELUCA		CHANGE NO. REV
4	1-17-75	A. DELUCA		REVISIONS
5	2-17-75	A. DELUCA		REVISIONS
6	3-17-75	A. DELUCA		REVISIONS
7	4-17-75	A. DELUCA		REVISIONS
8	5-17-75	A. DELUCA		REVISIONS
9	6-17-75	A. DELUCA		REVISIONS
10	7-17-75	A. DELUCA		REVISIONS
11	8-17-75	A. DELUCA		REVISIONS
12	9-17-75	A. DELUCA		REVISIONS
13	10-17-75	A. DELUCA		REVISIONS
14	11-17-75	A. DELUCA		REVISIONS
15	12-17-75	A. DELUCA		REVISIONS
16	1-17-76	A. DELUCA		REVISIONS
17	2-17-76	A. DELUCA		REVISIONS
18	3-17-76	A. DELUCA		REVISIONS
19	4-17-76	A. DELUCA		REVISIONS
20	5-17-76	A. DELUCA		REVISIONS
21	6-17-76	A. DELUCA		REVISIONS
22	7-17-76	A. DELUCA		REVISIONS
23	8-17-76	A. DELUCA		REVISIONS
24	9-17-76	A. DELUCA		REVISIONS
25	10-17-76	A. DELUCA		REVISIONS
26	11-17-76	A. DELUCA		REVISIONS
27	12-17-76	A. DELUCA		REVISIONS
28	1-17-77	A. DELUCA		REVISIONS
29	2-17-77	A. DELUCA		REVISIONS
30	3-17-77	A. DELUCA		REVISIONS
31	4-17-77	A. DELUCA		REVISIONS
32	5-17-77	A. DELUCA		REVISIONS
33	6-17-77	A. DELUCA		REVISIONS
34	7-17-77	A. DELUCA		REVISIONS
35	8-17-77	A. DELUCA		REVISIONS
36	9-17-77	A. DELUCA		REVISIONS
37	10-17-77	A. DELUCA		REVISIONS
38	11-17-77	A. DELUCA		REVISIONS
39	12-17-77	A. DELUCA		REVISIONS
40	1-17-78	A. DELUCA		REVISIONS
41	2-17-78	A. DELUCA		REVISIONS
42	3-17-78	A. DELUCA		REVISIONS
43	4-17-78	A. DELUCA		REVISIONS
44	5-17-78	A. DELUCA		REVISIONS
45	6-17-78	A. DELUCA		REVISIONS
46	7-17-78	A. DELUCA		REVISIONS
47	8-17-78	A. DELUCA		REVISIONS
48	9-17-78	A. DELUCA		REVISIONS
49	10-17-78	A. DELUCA		REVISIONS
50	11-17-78	A. DELUCA		REVISIONS
51	12-17-78	A. DELUCA		REVISIONS
52	1-17-79	A. DELUCA		REVISIONS
53	2-17-79	A. DELUCA		REVISIONS
54	3-17-79	A. DELUCA		REVISIONS
55	4-17-79	A. DELUCA		REVISIONS
56	5-17-79	A. DELUCA		REVISIONS
57	6-17-79	A. DELUCA		REVISIONS
58	7-17-79	A. DELUCA		REVISIONS
59	8-17-79	A. DELUCA		REVISIONS
60	9-17-79	A. DELUCA		REVISIONS
61	10-17-79	A. DELUCA		REVISIONS
62	11-17-79	A. DELUCA		REVISIONS
63	12-17-79	A. DELUCA		REVISIONS
64	1-17-80	A. DELUCA		REVISIONS
65	2-17-80	A. DELUCA		REVISIONS
66	3-17-80	A. DELUCA		REVISIONS
67	4-17-80	A. DELUCA		REVISIONS
68	5-17-80	A. DELUCA		REVISIONS
69	6-17-80	A. DELUCA		REVISIONS
70	7-17-80	A. DELUCA		REVISIONS
71	8-17-80	A. DELUCA		REVISIONS
72	9-17-80	A. DELUCA		REVISIONS
73	10-17-80	A. DELUCA		REVISIONS
74	11-17-80	A. DELUCA		REVISIONS
75	12-17-80	A. DELUCA		REVISIONS
76	1-17-81	A. DELUCA		REVISIONS
77	2-17-81	A. DELUCA		REVISIONS
78	3-17-81	A. DELUCA		REVISIONS
79	4-17-81	A. DELUCA		REVISIONS
80	5-17-81	A. DELUCA		REVISIONS
81	6-17-81	A. DELUCA		REVISIONS
82	7-17-81	A. DELUCA		REVISIONS
83	8-17-81	A. DELUCA		REVISIONS
84	9-17-81	A. DELUCA		REVISIONS
85	10-17-81	A. DELUCA		REVISIONS
86	11-17-81	A. DELUCA		REVISIONS
87	12-17-81	A. DELUCA		REVISIONS
88	1-17-82	A. DELUCA		REVISIONS
89	2-17-82	A. DELUCA		REVISIONS
90	3-17-82	A. DELUCA		REVISIONS
91	4-17-82	A. DELUCA		REVISIONS
92	5-17-82	A. DELUCA		REVISIONS
93	6-17-82	A. DELUCA		REVISIONS
94	7-17-82	A. DELUCA		REVISIONS
95	8-17-82	A. DELUCA		REVISIONS
96	9-17-82	A. DELUCA		REVISIONS
97	10-17-82	A. DELUCA		REVISIONS
98	11-17-82	A. DELUCA		REVISIONS
99	12-17-82	A. DELUCA		REVISIONS
100	1-17-83	A. DELUCA		REVISIONS

SEMICONDUCTOR CONVERSION CHART

ETCH BOARD REV E

digital EQUIPMENT CORPORATION

TITLE: H763 REGULATOR BOARD

SCALE: 1 OF 3

SEMICONDUCTOR CONVERSION CHART

DEC NO. EIA NO. DEC NO. EIA NO.

72741 4 7

IC TYPE GND +5V

GND AND 5V ARE USUALLY PIN 7 AND 14 RESPECTIVELY EXCEPTS ARE STATED ABOVE

IC PIN LOCATIONS

72741 4 7

IC TYPE GND +5V

GND AND 5V ARE USUALLY PIN 7 AND 14 RESPECTIVELY EXCEPTS ARE STATED ABOVE

IC PIN LOCATIONS

72741 4 7

IC TYPE GND +5V

GND AND 5V ARE USUALLY PIN 7 AND 14 RESPECTIVELY EXCEPTS ARE STATED ABOVE

IC PIN LOCATIONS

THIS DRAWING AND SPECIFICATIONS HEREIN ARE THE PROPERTY OF DIGITAL EQUIPMENT CORPORATION AND SHALL NOT BE REPRODUCED OR COPIED OR USED IN WHOLE OR IN PART AS THE BASIS FOR THE MANUFACTURE OR SALE OF ITEMS WITHOUT WRITTEN PERMISSION. COPYRIGHT © 1974, DIGITAL EQUIPMENT CORPORATION.

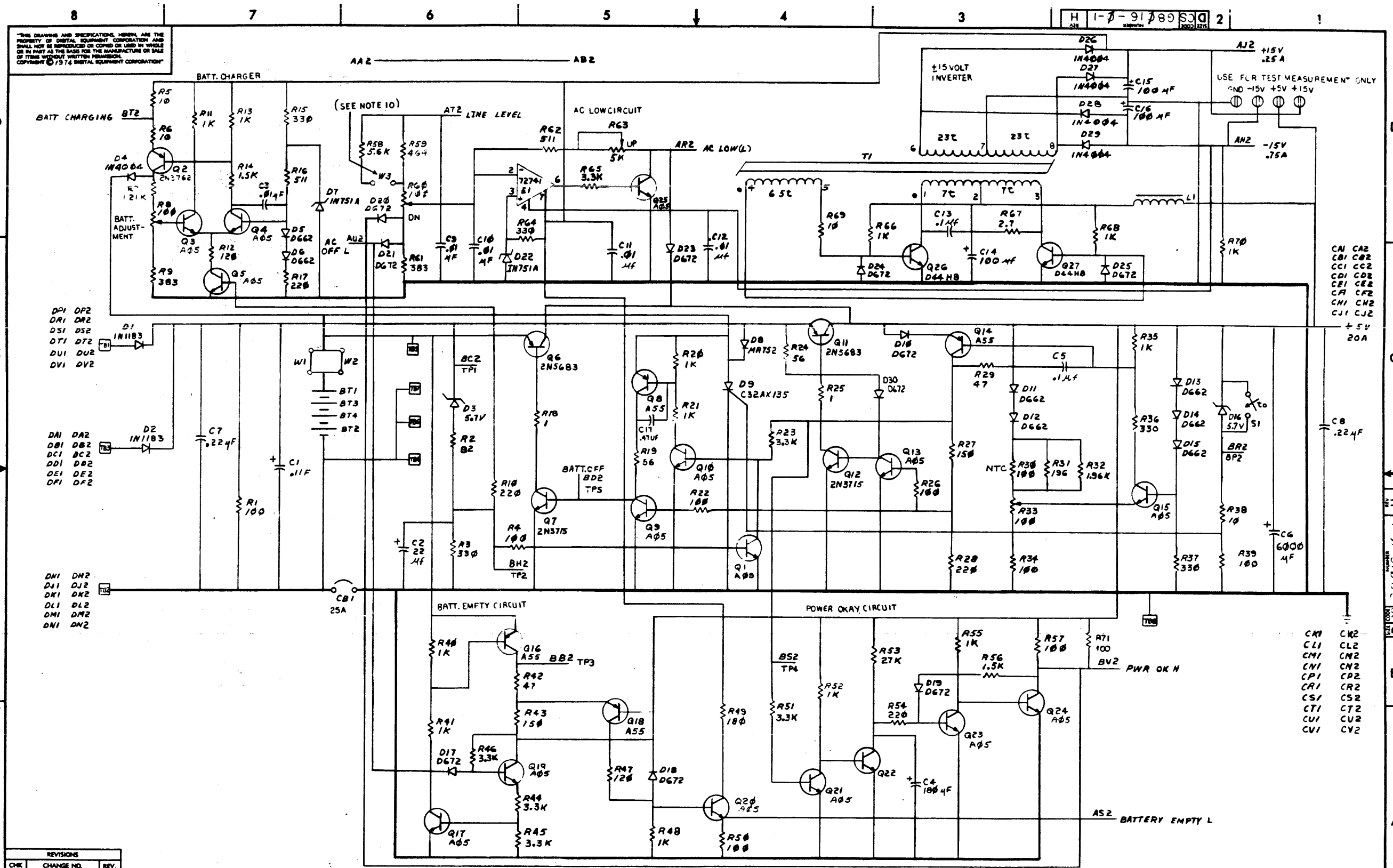
WIRE TABLE				
PART NO.	FROM	TO	TERMINATION	WIRE LENGTH
91-07380-22	TB1	D1	SOLDER AT D1 END. SOLDER AT TB1 END	5.00
91-07380-22	TB3	D2	SOLDER AT D2 END. TAB AT TB3 END	5.00
91-07380-00	TB2	TB4	SOLDER AT TB2 END SOLDER AT TB4 END	7.00
91-07380-00	+ TERMINAL OF C1	TB9 HOLE	SOLDER WIRE AT HOLE END TB9. SOLDERLESS CONNECTOR AT C1 END 90-07926	2.50
91-07380-00	- TERMINAL OF C1	TB10 HOLE	SOLDER WIRE AT HOLE END TB10. SOLDERLESS CONNECTOR AT C1 END 90-07926	1.25
91-07380-00	TB7	TOP TERMINAL OF CBI	SOLDER AT TB7 END. SOLDERLESS CONNECTOR AT CBI END 90-07926	7.00
91-07380-00	TB8	BOTTOM TERMINAL OF CBI	SOLDER AT TB8 END. SOLDERLESS CONNECTOR AT CBI END 90-07926	11.25
91-07350-22	SI	SPLIT LUG	SOLDER AT SPLIT LUG END	4.00
	SI	SPLIT LUG	SOLDER AT SI END	4.00

QTY	REF	DESIGNATION	DESCRIPTION	PART NO.	ITEM
1	R30		RES. 100 1/2W MTC	1311760	57
1	R07		RES. 2.7 1/2W 105	1300440	54
2	Q7, Q12		TRANS. DEC 2K3715	1503000	55
1	Q2		TRANS. 2K3702	1500040-01	56
10	Q1, Q3, Q4, Q5, Q6, Q10, Q13, Q14, Q17, Q18, Q20, Q21, Q22, Q23, Q24, Q25		TRANS. DEC A05	1510705	57
1	R30		RES. 5.6K, 1/4W, 5%	1301870	58
4	Q0, Q14, Q16, Q18		TRANS. DEC A55	1510705	59
1	D0		DIODE SCR C32AX135	1510000	60
2	Q0, Q11		TRANS. 2K5003	1511647	61
2	Q26, Q27		TRANS. D44M0	1610707-01	62
1	T1		TRANSFORMER	1811758	63
1	L1		CHOKER	1811759	64
1	E1		I.C. DEC 72741	1810200	65
1			BRACKET REG. 0.0.	7411470	66
2			SCREW 4-40 x .50 PH	9000813-1	67
4			SCREW 6-32 x .25 PH	9000020-1	68
2			SCREW 6-32 x .31 PH	9000021-1	69
3			SCREW 6-32 x .75 PH	9000026-1	70
2			KEPHUT 4-40	9000557	71
7			WASHER #8 INTERNAL	9000633	72
8			WASHER #8 FLAT	9000655	73
2			WASHER #10 FLAT	9000772	74
8			SPLIT LUG	9000735	75
2	TB5, TB6		TAB FAST-ON (OFF SET)	9007112	76
1			TRANS. P.D. #10134	9007200	77
8			SCREW 6-32 x .56 PH	9007793-1	78
REF			G6016 REG. BOARD SPEC	G6016-0-E	73
4			SOLDERLESS CONNECTOR	9007920-01	80
11			KEPHUT 8-32	9000105	81
A/R			WIRE #12 AWG	9107300-00	82
A/R			WIRE #12 AWG	9107300-22	83
A/R	03		BUS WIRE #22 AWG (SEE NOTE #10)	9107500-01	84
A/R	01, 02		REEL JUMPER (SEE NOTE #11)	9107500	85
1			SHIELD BATTERY	7411693-0-0	86
3			SPACER #6 .30 LG.	9006801	87
2	TB5, TB6		EYELET	9009000	88
8	TB1, TB2, TB3, TB4, TB7, TB8, TB9, TB10		EYELET GS4-3	9007836	89
A/R			WIRE #22 AWG	9107350-22	90
2			WASHER #8 INTERNAL	9006634	91
A/R			THERMO COMPOUND	9008268	92
2			SCREW 10-32 x .31	9000070-01	93
2			WASHER #10 INTERNAL	9006635	94
1	C1		CAP .47UF 25V 20% CER.	1010275	95
1			DECAL	A-DC-7413109-00	97
REF			FINAL INSP. PROC. FOR G6016	A-SP-G6016-0-9	98
REF			POWER SUPPLY TESTER	B-DD-G6016-TA	99
A			PACKAGING INSTRUCTION	A-SP-3700175-00	100

REVISIONS		
CHK	CHANGE NO	REV

TITLE	H763 REGULATOR BOARD	SIZE CODE	NUMBER	REV.
SCALE	SHEET 2 OF 3	DIST.		

mk 1



"THIS DRAWING AND SPECIFICATIONS HEREIN ARE THE PROPERTY OF DIGITAL EQUIPMENT CORPORATION AND SHALL NOT BE REPRODUCED OR COPIED OR USED IN WHOLE OR IN PART AS THE BASIS FOR THE MANUFACTURE OR SALE OF ITEMS WITHOUT WRITTEN PERMISSION. COPYRIGHT © 1974 DIGITAL EQUIPMENT CORPORATION"

H 1-7-91789 S3 D 2

TITLE H763  
REGULATOR BOARD

SIZE CODE DCS  
NUMBER 68016-Q-1  
REV. H

SCALE 1:1 SHEET 3 OF 3 DIST. MK

8 7 6 5 4 3 2 1 MK