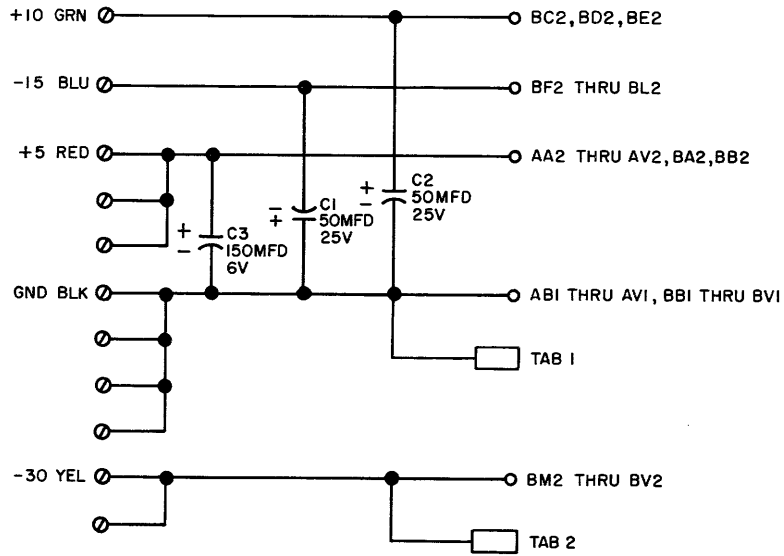


THIS SCHEMATIC IS FURNISHED ONLY FOR TEST AND MAINTENANCE PURPOSES. THE CIRCUITS ARE PROPRIETARY IN NATURE AND SHOULD BE TREATED ACCORDINGLY. COPYRIGHT 1969 BY DIGITAL EQUIPMENT CORPORATION



UNLESS OTHERWISE INDICATED:
 ⓪ ARE EYELETS
 TABS ARE DEC A-MD-7407196

REVISIONS	CHK CHG NO.	REV.

DRN.	DATE
<i>B. BUTLER</i>	<i>6/18/69</i>
CHK'D	DATE
<i>M. Mearns</i>	<i>8-24-69</i>
ENG.	DATE
<i>P. Sale</i>	<i>5/15/69</i>
PROD.	DATE

TRANSISTOR & DIODE CONVERSION CHART			
DEC	EIA	DEC	EIA



TITLE			
POWER CONNECTOR G780			
SIZE	CODE	NUMBER	REV.
B	CS	G780-0-1	
PRINTED CIRCUIT REV.			A