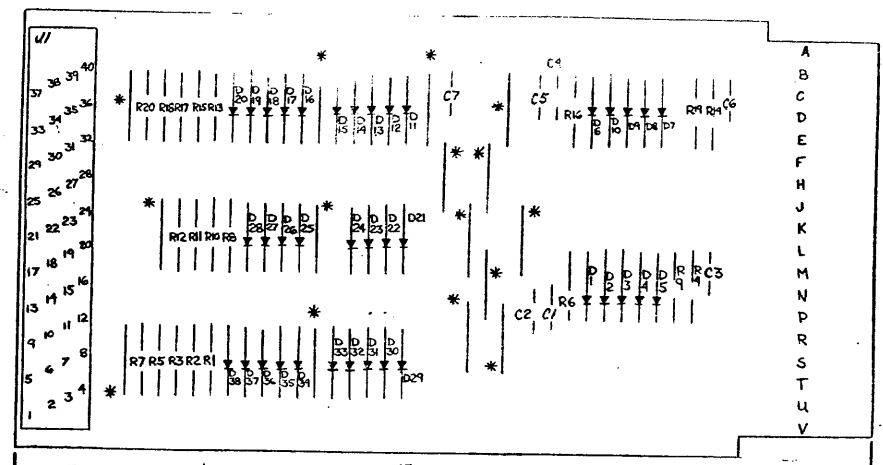
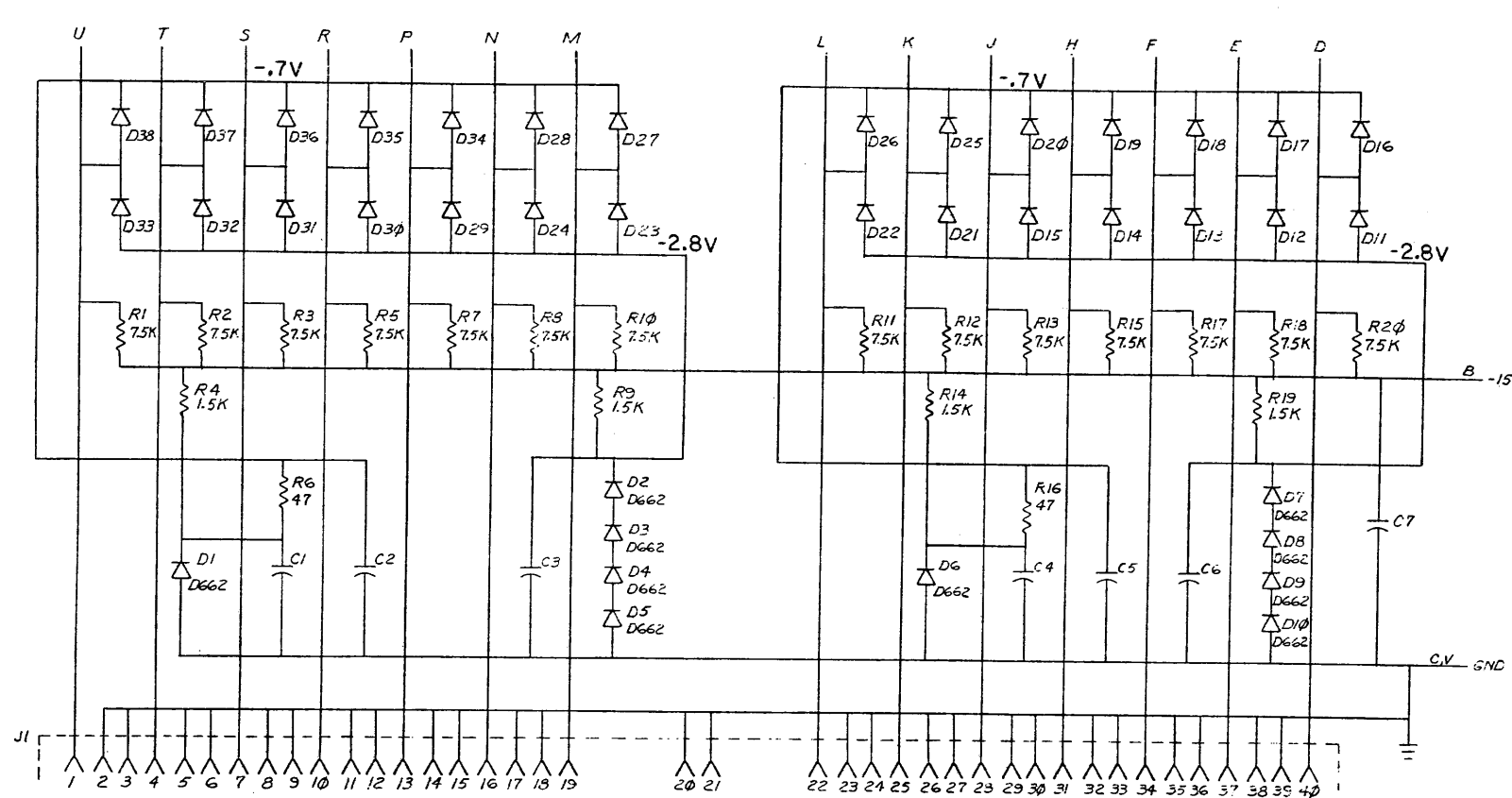


This drawing and specifications, herein, are the property of Digital Equipment Corporation and shall not be reproduced or copied or used in whole or in part as the basis for the manufacture or sale of items without written permission.

1-2-6625 2



UNLESS OTHERWISE SPECIFIED
 ALL RESISTORS ARE 1/4W 5%
 ALL CAPACITORS ARE .01UF 100V 20%
 DIODES 11 THRU 33 ARE D664

15	JUMPER INSULATED	300045		
14	R1, 2, 3, 5, 7, 8, 10, 11, 12, 13, 15, 17, 18, 20	RES. 7.5K 1/4W 5%	1301422	
4	R4, 9, 14, 19	RES. 1.5K 1/4W 5%	1300791	
2	R6, 16	RES. 47 1/4W 5%	1300208	
1	J1	CONNECTOR	1218071	
28	D11 - 38	DIODE D664	1100114	
10	D1 - 10	DIODE D662	1100113	
7	C1 thru C7	CAP. .01UF 100V 20% DISC	1001610	
1		ETCHED CIRCUIT BOARD	5000055	
		MODULE ECO HISTORY	B-ME-8766-0-6	
		ASSY/DRILLING HOLE LAYOUT	D-AE-8766-0-5	
		X-Y COORDINATE HOLE LOCATION	K-C9-8766-0-4	
QTY	REF DESIGNATION	DESCRIPTION	PART NO.	ITEM NO.

REVISIONS		DATE		TITLE
CHK	CHANGE NO.	REV	DATE	
				LEVEL TERMINATOR
DEC NO. EIA NO. DEC NO. EIA NO.				SCALE SHEET / OF /
SEMICONDUCTOR CONVERSION CHART				SIZE CODE NUMBER DIST.

digital EQUIPMENT CORPORATION
 MATIARO, MASSACHUSETTS