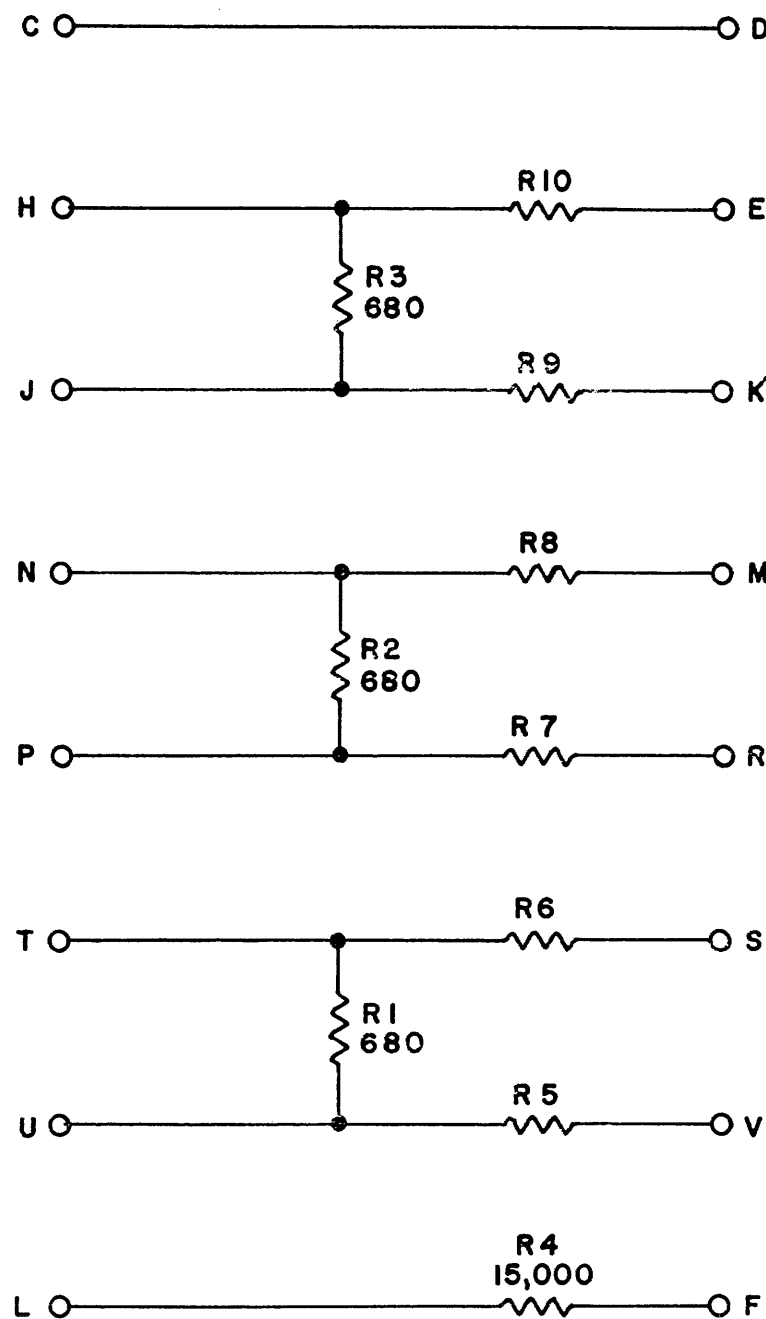
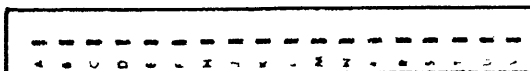


THIS SCHEMATIC IS FURNISHED ONLY FOR TEST AND MAINTENANCE PURPOSES. THE CIRCUITS ARE PROPRIETARY IN NATURE AND SHOULD BE TREATED ACCORDINGLY. COPYRIGHT 1967 BY DIGITAL EQUIPMENT CORPORATION

↓ REV. A NUMBER 6706-0-1 SIZE CODE B CS



UNLESS OTHERWISE INDICATED:
RESISTORS ARE 1,000
RESISTORS ARE 1/4W, 5%



PARTS LIST A-PL-G706-0-0

REVISIONS CHK CHG NO. REV.		DRN. <i>M. Waller</i>	DATE 10-12-67	TRANSISTOR & DIODE CONVERSION CHART					TITLE DECTAPE ATTENUATOR G706			
			CHK'D <i>D. Jones</i>	DATE 11/12/67	DEC	EIA	DEC		EIA	SIZE B	CODE CS	NUMBER 6706-0-1
		ENG. <i>D. Jones</i>	DATE 10/16/67					EQUIPMENT CORPORATION MAYNARD, MASSACHUSETTS			PRINTED CIRCUIT REV.	A B
		PROD. I	DATE					DIST. 324 434 -				