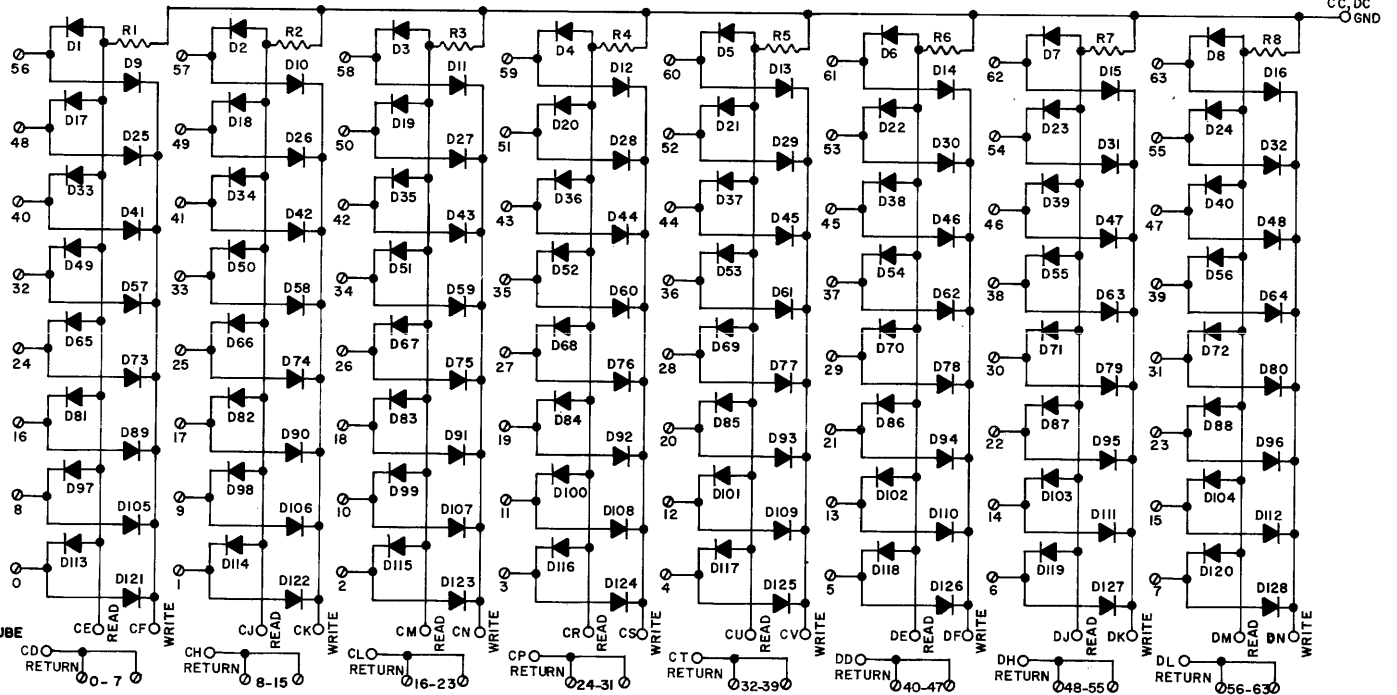
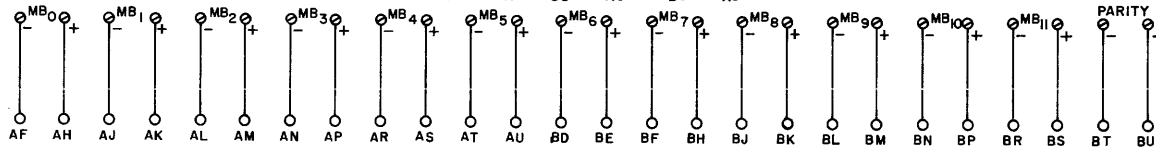
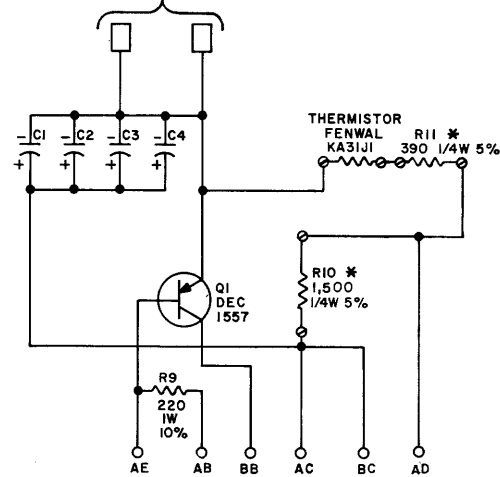


AMP 250 SERIES
FASTON TYPE 60145-2



UNLESS OTHERWISE INDICATED:
RESISTORS ARE 4,700; 1/4W; 5%
DIODES ARE D671
CAPACITORS ARE 50MFD 50V GMV
⊙ INDICATES SPLIT LUGS
* VALUES SHOWN ARE FOR FERROXCUBE
R11 IS 100Ω AND R10 IS 2700Ω
FOR EMI

Memory Mounting Board G609