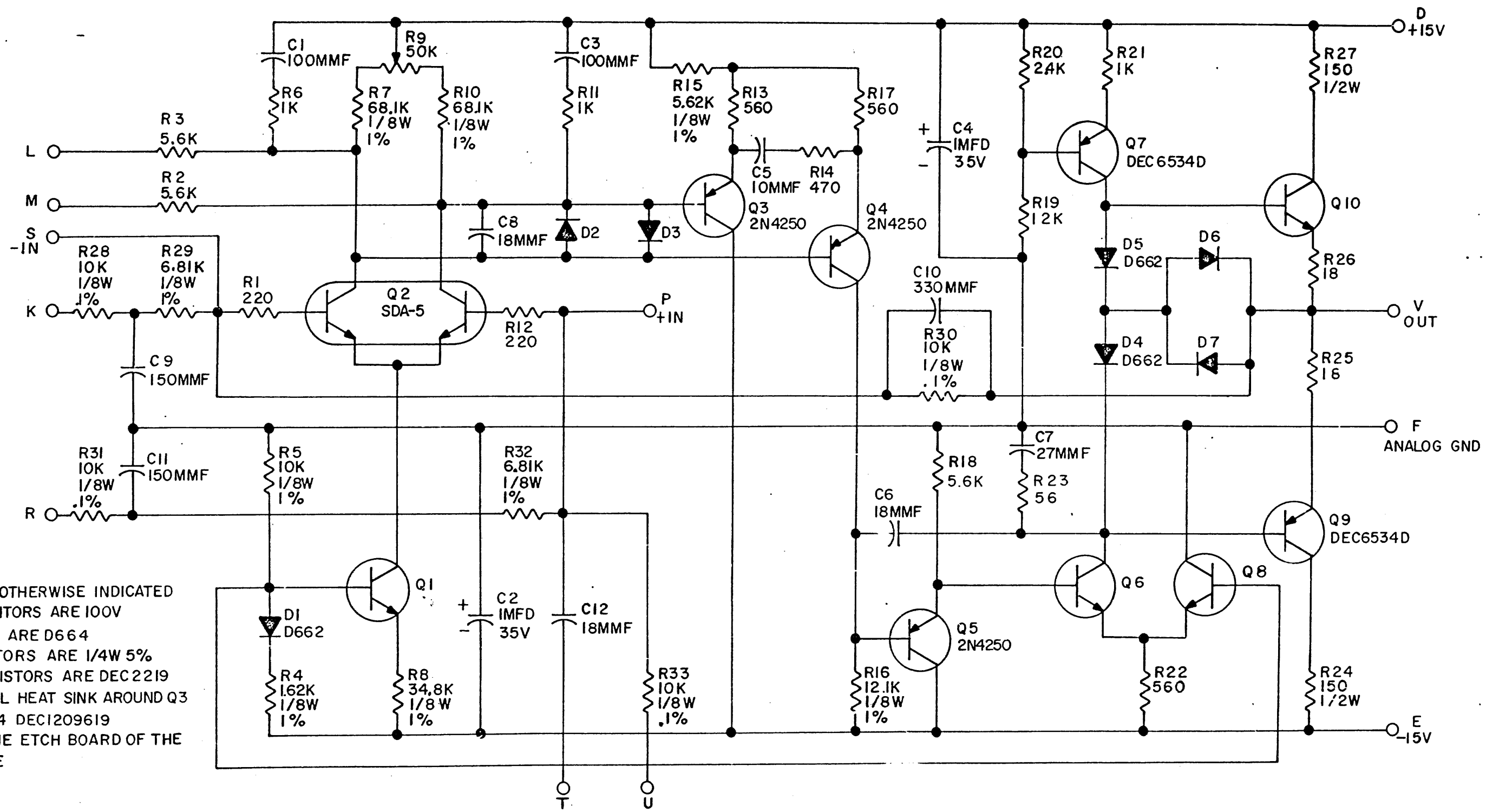


THIS SCHEMATIC IS FURNISHED ONLY FOR TEST AND MAINTENANCE PURPOSES. THE CIRCUITS ARE PROPRIETARY IN NATURE AND SHOULD BE TREATED ACCORDINGLY. COPYRIGHT 1969 BY DIGITAL EQUIPMENT CORPORATION



UNLESS OTHERWISE INDICATED
 CAPACITORS ARE 100V
 DIODES ARE D664
 RESISTORS ARE 1/4W 5%
 TRANSISTORS ARE DEC2219
 INSTALL HEAT SINK AROUND Q3
 AND Q4 DEC1209619
 USE THE ETCH BOARD OF THE
 A 207E

REVISIONS CHK CHG NO. REV. 00004 E	DRN. <i>P. Blum</i>	DATE 9-3-69	TRANSISTOR & DIODE CONVERSION CHART				 EQUIPMENT CORPORATION MAYNARD, MASSACHUSETTS	TITLE FILTERED DIFFERENTIAL AMPLIFIER G590		
	CHK'D <i>A. Ganga</i>	DATE 9-15-69	DEC	EIA	DEC	EIA		SIZE B	CODE CS	NUMBER G590-0-1
	ENG. <i>C. Weston</i>	DATE 10/22/69	D662	1N645	SDA-5	SAME	PRINTED CIRCUIT REV. E			
	PROD. <i>A. New</i>	DATE 9-11-74	D664	IN3606						
			DEC6534D	MPS6534D						
			2N4250	NONE						
			DEC2219	2N2219						