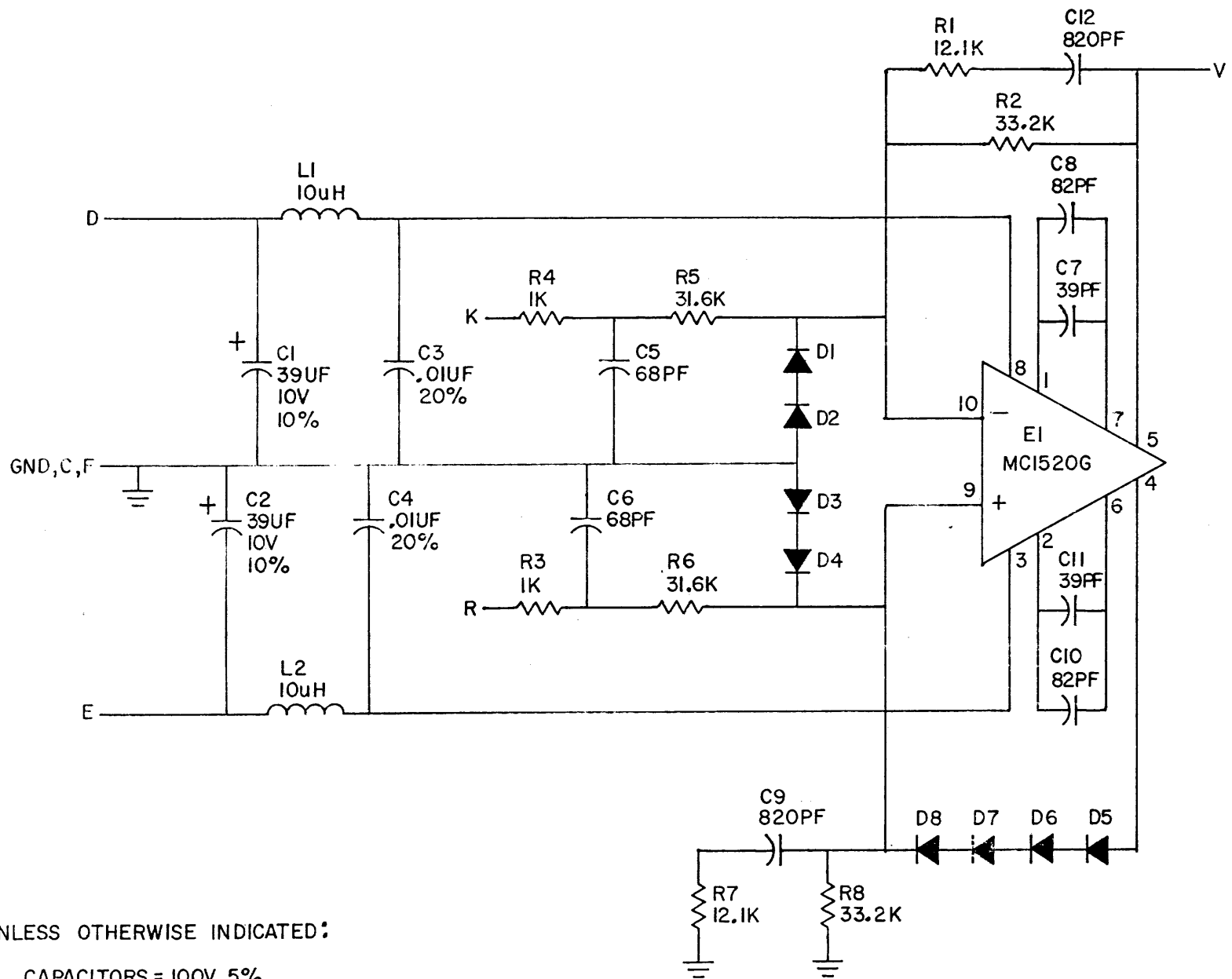


THIS SCHEMATIC IS FURNISHED ONLY FOR TEST AND MAINTENANCE PURPOSES. THE CIRCUITS ARE PROPRIETARY IN NATURE AND SHOULD BE TREATED ACCORDINGLY. COPYRIGHT 1969 BY DIGITAL EQUIPMENT CORPORATION



UNLESS OTHERWISE INDICATED:
 CAPACITORS = 100V, 5%
 DIODES = D664
 RESISTORS = 1/8W, 1%, MF

REVISIONS CHK CHG NO. REV. PLO 0002 B REV & REDR 0003 C	DRN R. CLEMENS	DATE 9/10/69	TRANSISTOR & DIODE CONVERSION CHART		digital EQUIPMENT CORPORATION MAYNARD, MASSACHUSETTS	TITLE FILTERED DIFFERENTIAL AMPLIFIER			
	CHK'D A. YAUGA	DATE 9/15/69	DEC	EIA		SIZE B	CODE CS	NUMBER 6589-0-1	REV. C
	ENG. <i>[Signature]</i>	DATE <i>[Date]</i>				PRINTED CIRCUIT REV. C			
	PROD.	DATE							