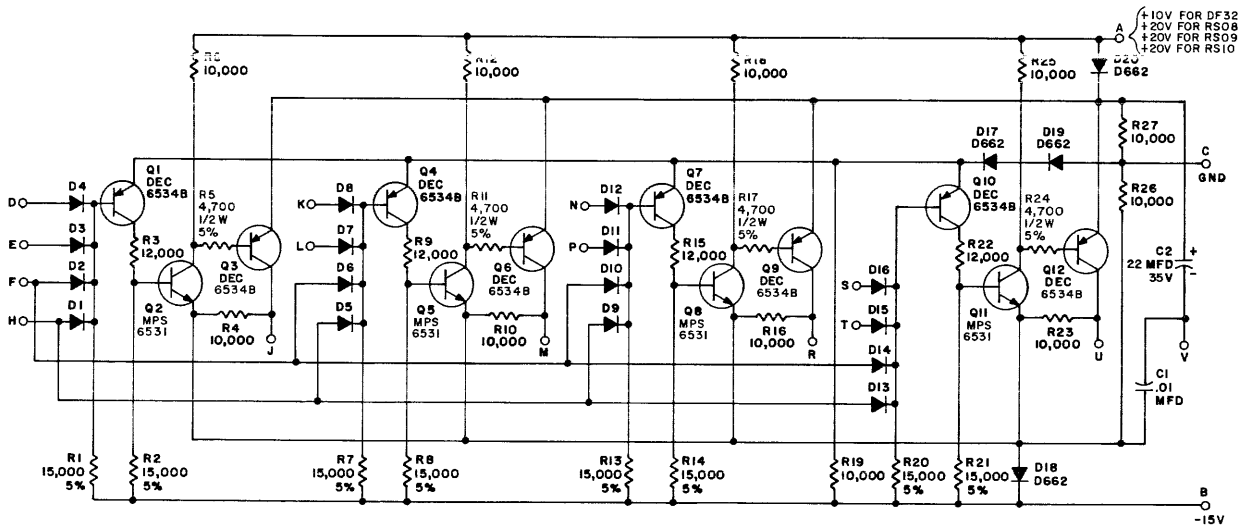
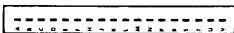


THIS SCHEMATIC IS FURNISHED ONLY FOR TEST AND MAINTENANCE PURPOSES. THE CIRCUITS ARE PROPRIETARY IN NATURE AND SHOULD BE TREATED ACCORDINGLY. COPYRIGHT 1967 BY DIGITAL EQUIPMENT CORPORATION



UNLESS OTHERWISE INDICATED:  
 RESISTORS ARE 1/4W; 10%  
 DIODES ARE D664



PARTS LIST IS A-PL-6286-0-0

REVISIONS				TRANSISTOR & DIODE CONVERSION CHART				digital		TITLE			
CHK	CHG NO	REV	A	DEC	EIA	DEC	EIA	EQUIPMENT CORPORATION		CENTERTAP SELECTOR G286			
NO								SIZE	CODE	NUMBER	REV		
1	6378	A						B	CS	G286-0-1	B		
2	00001	B						MAYNARD MASSACHUSETTS				PRINTED CIRCUIT REV	
DRN <i>M. Wallen</i>				DATE 1-27-67				DEC 3009B 2N3009		NUMBER			
CHK'D				DATE 2/1/67				MPS6531 NONE		G286-0-1			
ENG <i>[Signature]</i>				DATE 2/1/67				DEC6534B MPS6534					
PROD				DATE				D662 IN648					
								D664 IN3608					

C2

R6  
R27

R5

R26

D18

D20

R12

R11

R18

R17

R25

R24

D19

D17

C1

Q3

Q6

Q9

Q12

Q2

Q5

Q8

Q11

R23

R4

R10

R16

R3  
R1  
R2

R9  
R7

R8

R15  
R13

R14

R22

R20

R21

R19

Q1

Q4

Q7

Q10

D4  
D2  
D3  
D1

D8  
D6  
D7  
D5

D12  
D10  
D11  
D9

D16  
D14  
D15  
D13

G286