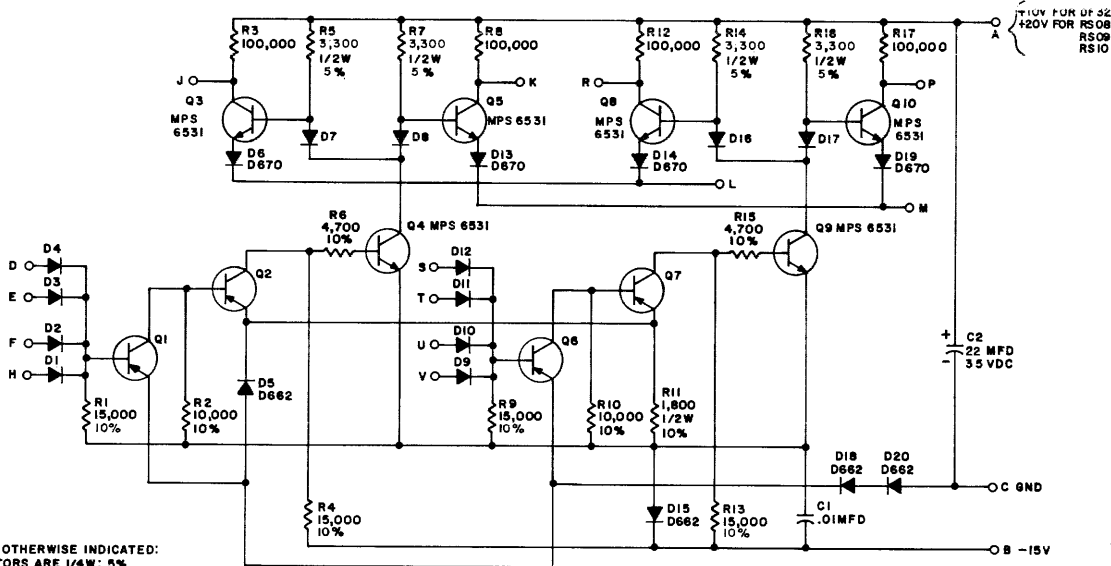


THIS SCHEMATIC IS FURNISHED ONLY FOR TEST AND MAINTENANCE PURPOSES. THE CIRCUITS ARE PROPRIETARY IN NATURE AND SHOULD BE TREATED ACCORDINGLY. COPYRIGHT 1967 BY DIGITAL EQUIPMENT CORPORATION



PARTS LIST IS A-PL-G285-0-0

REVISIONS	CHKD	ENG	NO. REV	DATE
			00 001	A
			000003	B

DRN	DATE
M. Waller	1-30-67
CHKD	DATE
ENG	DATE
PROD	DATE

TRANSISTOR & DIODE CONVERSION CHART			
DEC		EIA	
MPS 6531	SAME		
DEC6534B	MP6534		
D662	IN645		
D664	IN5606		

digital
EQUIPMENT CORPORATION
MAYNARD, MASSACHUSETTS

TITLE		SERIES SWITCH G285	
SIZE	CODE	NUMBER	REV
B	CS	G285-0-1	B
PRINTED CIRCUIT REV			B

