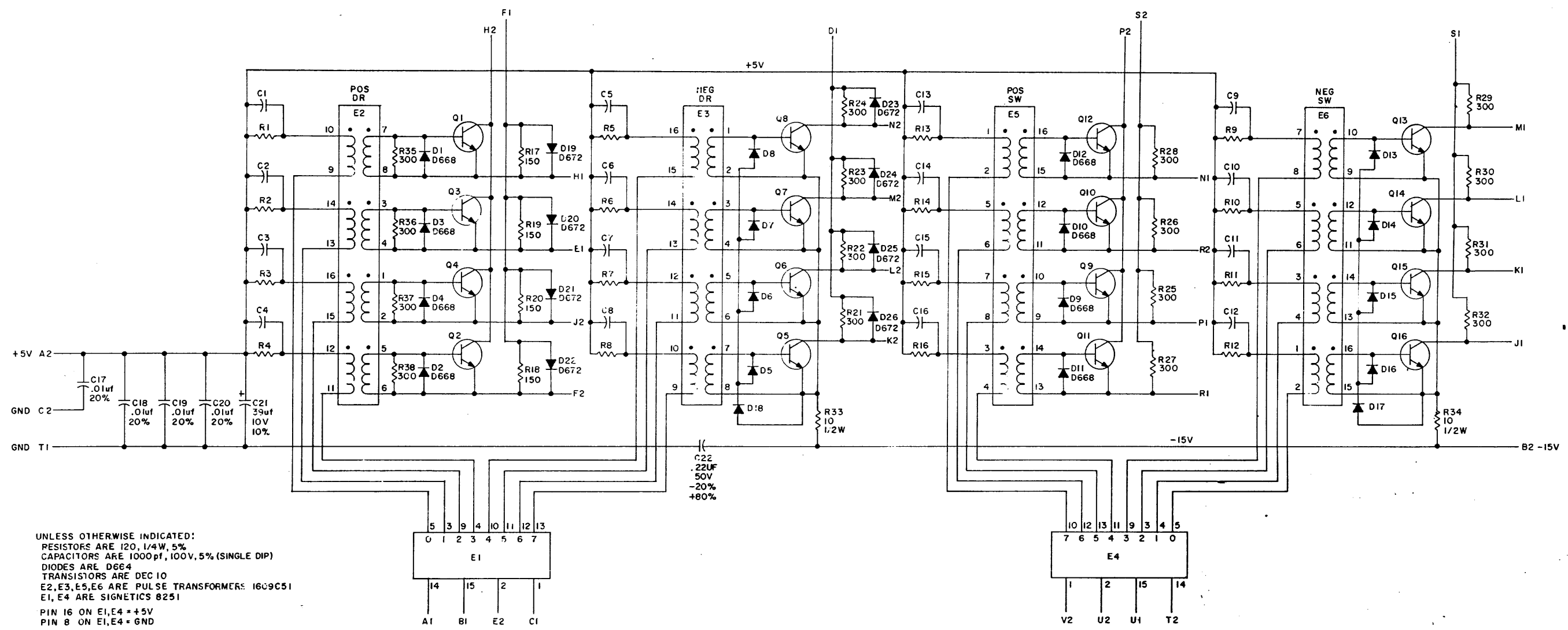
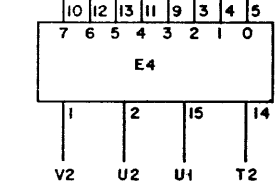
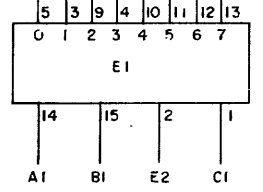


THIS SCHEMATIC IS FURNISHED ONLY FOR TEST AND MAINTENANCE PURPOSES. THE CIRCUITS ARE PROPRIETARY IN NATURE AND SHOULD BE TREATED ACCORDINGLY. COPYRIGHT 1968 BY DIGITAL EQUIPMENT CORPORATION



UNLESS OTHERWISE INDICATED:
 RESISTORS ARE 120, 1/4W, 5%
 CAPACITORS ARE 1000pf, 100V, 5% (SINGLE DIP)
 DIODES ARE D664
 TRANSISTORS ARE DEC 10
 E2, E3, E5, E6 ARE PULSE TRANSFORMERS 16C9C51
 E1, E4 ARE SIGNETICS 8251
 PIN 16 ON E1, E4 = +5V
 PIN 8 ON E1, E4 = GND



REVISES CHK CHG NO	DRN BUTLER	DATE 8-16-69	TRANSISTOR & DIODE CONVERSION CHART				EQUIPMENT CORPORATION METHUEN, MASSACHUSETTS	TITLE X-Y DECODER SWITCH	
	CHRD T.A. MALETTE	DATE 9-9-69	DEC	EM	DEC	EM		SIZE CODE NUMBER	REV. D
	ENC P. SULLIVAN	DATE 2-24-70						D CS 6226-0-1	
	PROD	DATE						PRINTED CIRCUIT REV. D	