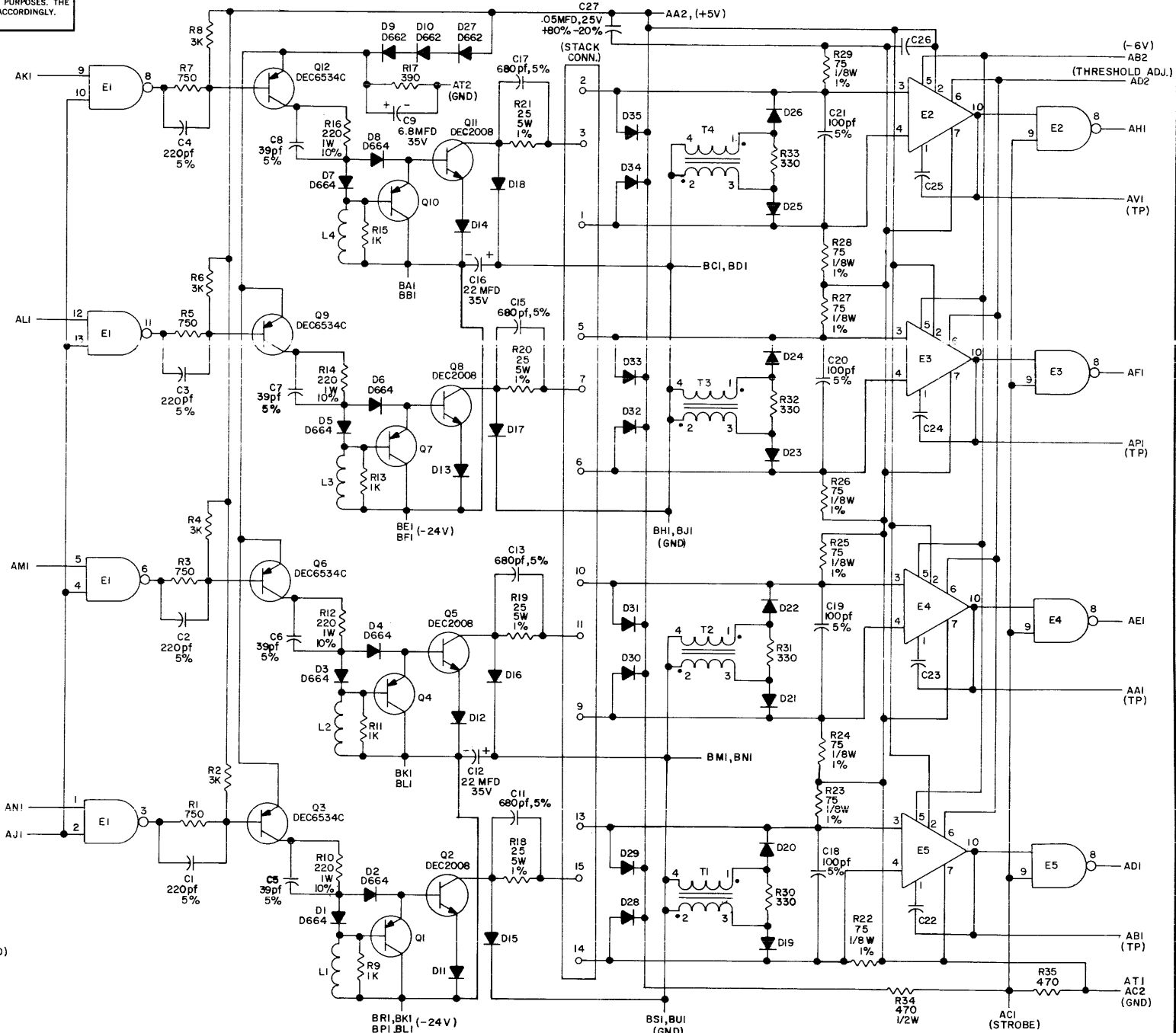


THIS SCHEMATIC IS FURNISHED ONLY FOR TEST AND MAINTENANCE PURPOSES. THE CIRCUITS ARE PROPRIETARY IN NATURE AND SHOULD BE TREATED ACCORDINGLY. COPYRIGHT 1969 BY DIGITAL EQUIPMENT CORPORATION



UNLESS OTHERWISE INDICATED:
 DIODES ARE D672
 CAPACITORS ARE .01MFD, 100V, 20%
 RESISTORS ARE 1/4W, 5%
 TRANSISTORS ARE DEC3639B
 E1 IS DEC74H00N
 E2, E3, E4, E5, ARE DEC1540G
 PIN 7 ON E1 IS TIED TO AT1, AC2 (GND)
 PIN 7 ON E2, E3, E4, E5 IS TIED TO AT1, AC2 (GND)
 PIN 2 ON E2, E3, E4, E5 = +5V
 PIN 14 ON E1 = +5V
 TRANSFORMERS ARE 1609478
 HOUSING IS DEC 1209482
 INDUCTORS L1-L4 ARE 10MH

G100-4

REV.	CHG. NO.	REV.
1	00001	A
2	00002	B
3	00003	C
4	00004	D

DEC	EIA	DEC	EIA
D662	IN645	DEC6534C	MPS6534
D664	IN3606		
D672	IN3653		
DEC3639	2N3639		
DEC2008	NONE		

digital
 EQUIPMENT CORPORATION
 MAYNARD, MASSACHUSETTS

TITLE: SENSE AMP AND INHIBIT DRIVER G100

SIZE: C CS
 NUMBER: G100-0
 REV. D

PRINTED CIRCUIT REV.

REV. D
 NUMBER G100-0-1
 SIZE CODE C CS