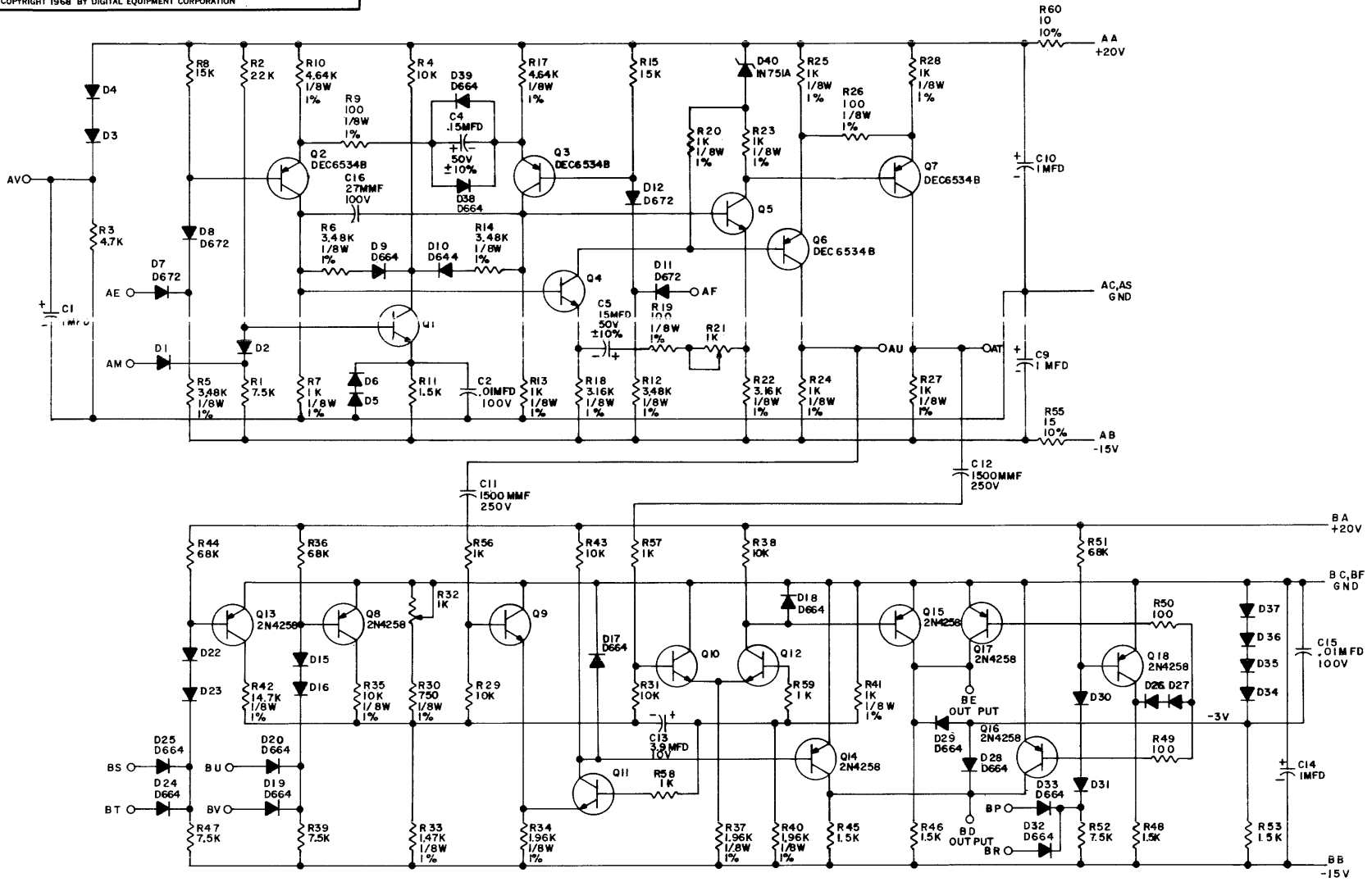


THIS SCHEMATIC IS FURNISHED ONLY FOR TEST AND MAINTENANCE PURPOSES. THE CIRCUITS ARE PROPRIETARY IN NATURE AND SHOULD BE TREATED ACCORDINGLY. COPYRIGHT 1968 BY DIGITAL EQUIPMENT CORPORATION



UNLESS OTHERWISE INDICATED:
 CAPACITORS ARE 35V
 RESISTORS ARE 1/4W, 5%
 DIODES ARE D662
 TRANSISTORS ARE DEC3009B
 R21, R32 ARE POTS 76 PR 1K HELITRIM
 1/8W, 1% RESISTORS ARE 100MF

G085-2

REV. F.
 NUMBER G085-0-1
 SIZE CODE C CS

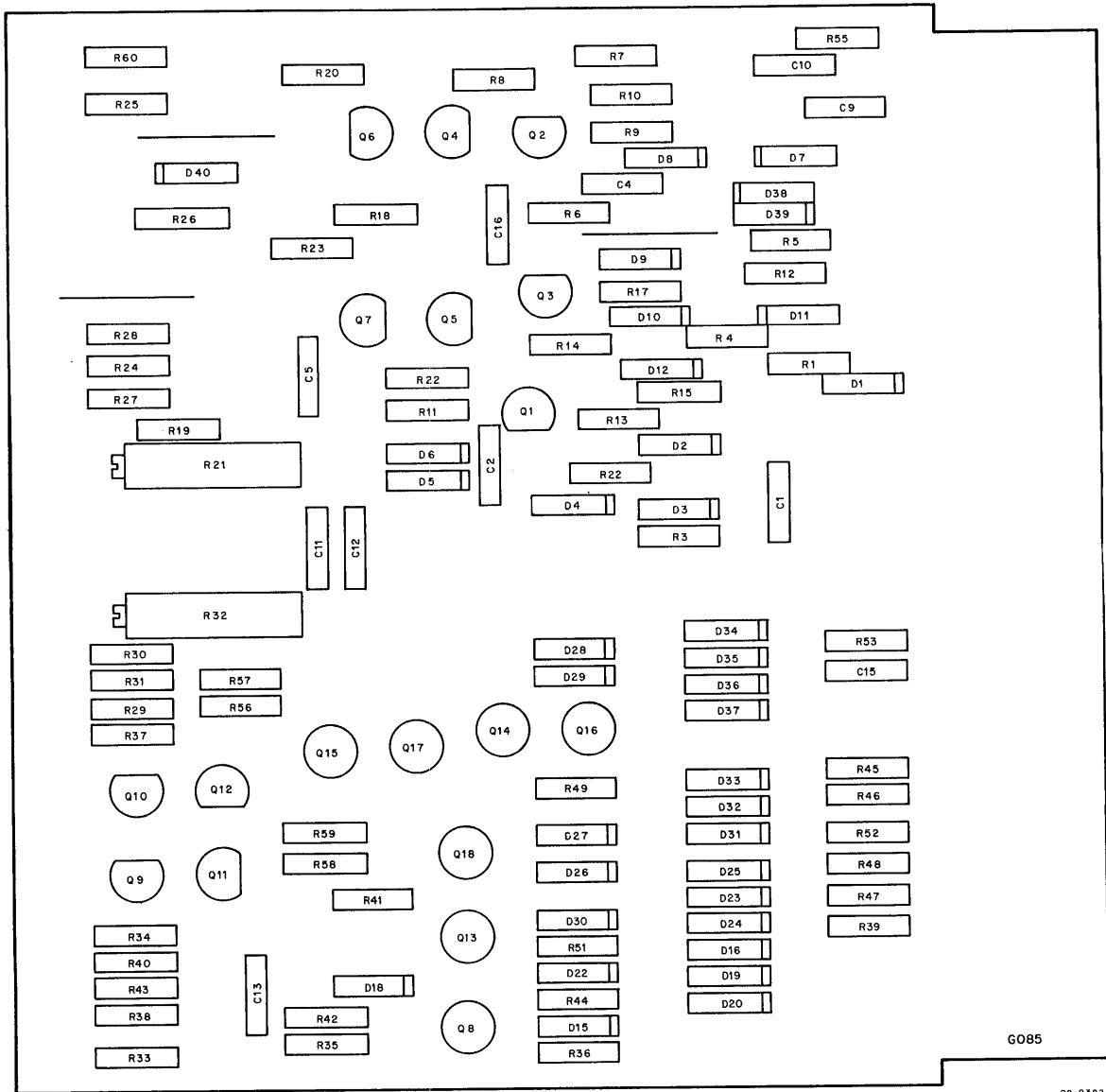
REV.	CHG. NO.	REV.	DATE	BY
1	00001	A		
2	00002	D		
3	00003	E		
4	00004	F		

TRANSISTOR & DIODE CONVERSION CHART	
DATE	DEC 10-23-68
BY	M. HALLER
DATE	DEC 10-24-68
BY	MULLEN
DATE	DEC 10-24-68
BY	S. SAMBERT
DATE	DEC 10-24-68
BY	S. SAMBERT

TITLE		SIZE		NUMBER		REV.	
DISC READ AMP AND SLICE G085		C	CS	G085-0-1	F		
EQUIPMENT CORPORATION		MAYNARD, MASSACHUSETTS		PRINTED CIRCUIT REV.		E	

DEC FORM NO. DRC 102

71N4 DIST: 324,434,432



G085

09-0392