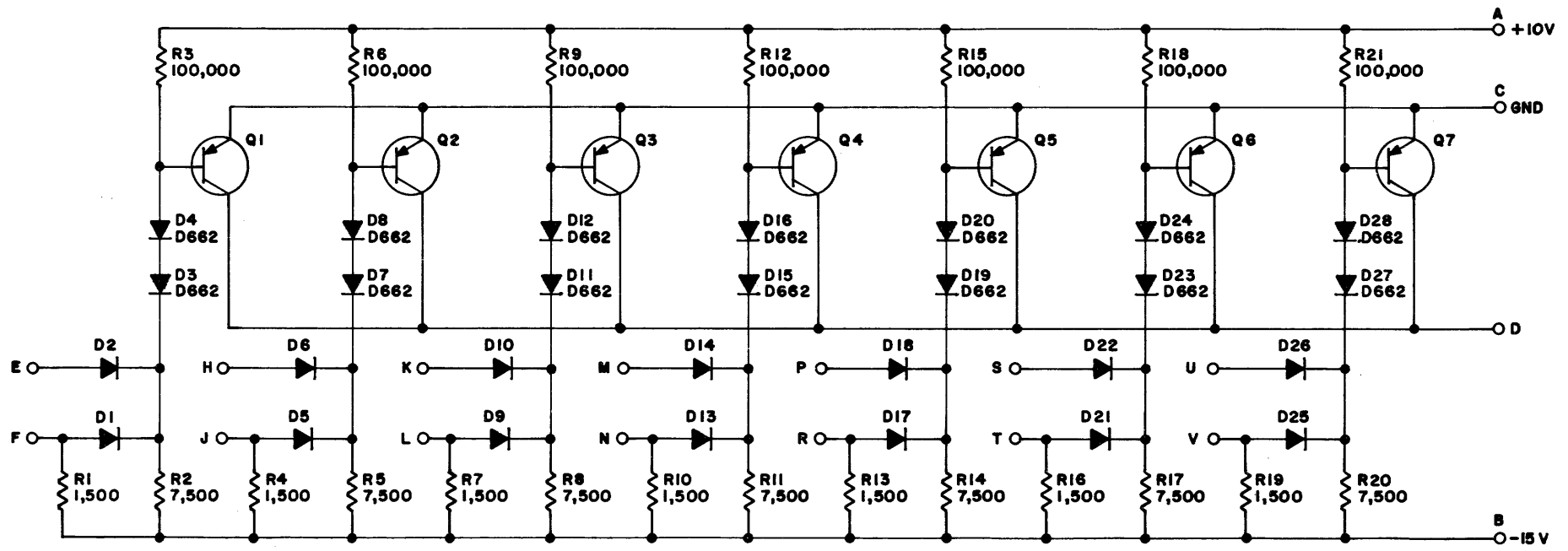
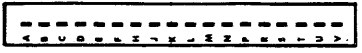


THIS SCHEMATIC IS FURNISHED ONLY FOR TEST AND MAINTENANCE PURPOSES. THE CIRCUITS ARE PROPRIETARY IN NATURE AND SHOULD BE TREATED ACCORDINGLY. COPYRIGHT 1967 BY DIGITAL EQUIPMENT CORPORATION



UNLESS OTHERWISE INDICATED:
 RESISTORS ARE 1/4W; 5%
 DIODES ARE D664
 TRANSISTORS ARE DEC3639-1B



REVISIONS CHK/CHG NO./REV.	DRN. <i>M. Haller</i> DATE <i>2-10-67</i>	TRANSISTOR & DIODE CONVERSION CHART				digital EQUIPMENT CORPORATION MAYNARD, MASSACHUSETTS	TITLE DIODE GATE B142			
	CHK'D <i>R. Strommen</i> DATE <i>2/19/67</i>	DEC	EIA	DEC	EIA		SIZE B	CODE CS	NUMBER B142-0-1	REV.
	ENG. <i>CS</i> DATE <i>2/16/67</i>	DEC3639-1B	2N3639							
	PROD. <i>CS</i> DATE	D662	IN645							
		D664	IN3606							
						PRINTED CIRCUIT REV. A				