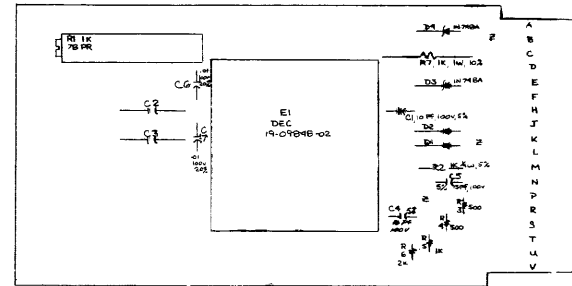
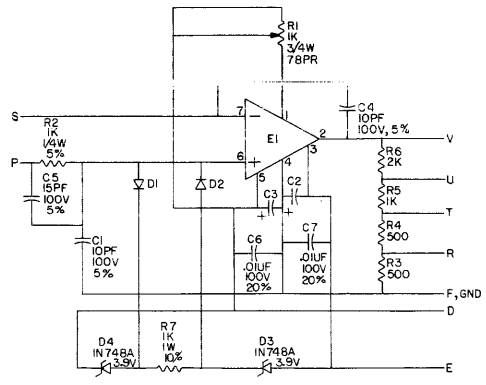


This drawing and specifications, herein, are the property of Digital Equipment Corporation and shall not be reproduced or copied or used in whole or in part as the basis for the manufacture of any items without written permission.



UNLESS OTHERWISE INDICATED:
CAPACITORS ARE .1UF, 35V, 10%
DIODES ARE D664
RESISTORS ARE .3W, 0.1% MF
E1 IS DEC 1909848-02
USE ETCH OF A220

1	HANDLE, PLT MCHP, AMBER	9006317-0	20
2	BYELET HANDLE	9006732	19
3	BYELET PRED TRSH	9006751	18
4	AMPLIFIER 327B-1/4 OR AMP	1909848-02	17
5	RES. 500, .3W, .01% MF	1309985-0	16
6	RES. 1K, 3/4W, 78 PR	1309986-2	15
7	RES. 2K, .3W, .01% MF	1309510	14
8	RES. 1K, .3W, .01% MF	1305509	13
9	RES. 1K, .3W, 5%	1300399	12
10	RES. 1K, .3W, 5%	1300365	11
11	DIODE, IN 748A 3.9V	1100122	10
12	DIODE, D664	1100114	9
13	CAP. .1UF, 35V, 10% TANT	1001776	8
14	CAP. .10UF, 100V, 20% DISC	1001610	7
15	CAP. 15PF, 100V, 5% IM	1000007	6
16	CAP. 10PF, 100V, 5% IM	1000006	5
17	ETCHED CIRCUIT BOARD (A220)	5008806	4
18	FRONT BRG HISTORY	5-01-A222-0-4	3
19	1847/WRITING HOLD LAYOUT	0-10-A222-0-5	2
20	X-Y COORDINATES HOLD LOCATION	X-00-A222-0-4	1

QTY	REP. DESIGNATION	DESCRIPTION	PART NO.	ITEM NO.
1		ETCHED CIRCUIT BOARD (A220)	5008806	4
1		FRONT BRG HISTORY	5-01-A222-0-4	3
1		1847/WRITING HOLD LAYOUT	0-10-A222-0-5	2
1		X-Y COORDINATES HOLD LOCATION	X-00-A222-0-4	1

QTY	REF DESIGNATION	DESCRIPTION	PART NO.	ITEM NO.
1		ETCHED CIRCUIT BOARD (A220)	5008806	4
1		FRONT BRG HISTORY	5-01-A222-0-4	3
1		1847/WRITING HOLD LAYOUT	0-10-A222-0-5	2
1		X-Y COORDINATES HOLD LOCATION	X-00-A222-0-4	1

QTY	REF DESIGNATION	DESCRIPTION	PART NO.	ITEM NO.
1		ETCHED CIRCUIT BOARD (A220)	5008806	4
1		FRONT BRG HISTORY	5-01-A222-0-4	3
1		1847/WRITING HOLD LAYOUT	0-10-A222-0-5	2
1		X-Y COORDINATES HOLD LOCATION	X-00-A222-0-4	1

REV	DATE	BY	CHKD	DATE	BY	CHKD	DATE	BY	CHKD	DATE	BY
1	11-6-71	Moore	Moore	11-6-71	Moore	Moore	11-6-71	Moore	Moore	11-6-71	Moore
2	12-12-71	Moore	Moore	12-12-71	Moore	Moore	12-12-71	Moore	Moore	12-12-71	Moore
3	12-22-71	Moore	Moore	12-22-71	Moore	Moore	12-22-71	Moore	Moore	12-22-71	Moore
4	12-22-71	Moore	Moore	12-22-71	Moore	Moore	12-22-71	Moore	Moore	12-22-71	Moore

REV	DATE	BY	CHKD	DATE	BY	CHKD	DATE	BY	CHKD	DATE	BY
1	11-6-71	Moore	Moore	11-6-71	Moore	Moore	11-6-71	Moore	Moore	11-6-71	Moore
2	12-12-71	Moore	Moore	12-12-71	Moore	Moore	12-12-71	Moore	Moore	12-12-71	Moore
3	12-22-71	Moore	Moore	12-22-71	Moore	Moore	12-22-71	Moore	Moore	12-22-71	Moore
4	12-22-71	Moore	Moore	12-22-71	Moore	Moore	12-22-71	Moore	Moore	12-22-71	Moore

REV	DATE	BY	CHKD	DATE	BY	CHKD	DATE	BY	CHKD	DATE	BY
1	11-6-71	Moore	Moore	11-6-71	Moore	Moore	11-6-71	Moore	Moore	11-6-71	Moore
2	12-12-71	Moore	Moore	12-12-71	Moore	Moore	12-12-71	Moore	Moore	12-12-71	Moore
3	12-22-71	Moore	Moore	12-22-71	Moore	Moore	12-22-71	Moore	Moore	12-22-71	Moore
4	12-22-71	Moore	Moore	12-22-71	Moore	Moore	12-22-71	Moore	Moore	12-22-71	Moore

REV	DATE	BY	CHKD	DATE	BY	CHKD	DATE	BY	CHKD	DATE	BY
1	11-6-71	Moore	Moore	11-6-71	Moore	Moore	11-6-71	Moore	Moore	11-6-71	Moore
2	12-12-71	Moore	Moore	12-12-71	Moore	Moore	12-12-71	Moore	Moore	12-12-71	Moore
3	12-22-71	Moore	Moore	12-22-71	Moore	Moore	12-22-71	Moore	Moore	12-22-71	Moore
4	12-22-71	Moore	Moore	12-22-71	Moore	Moore	12-22-71	Moore	Moore	12-22-71	Moore

REV	DATE	BY	CHKD	DATE	BY	CHKD	DATE	BY	CHKD	DATE	BY
1	11-6-71	Moore	Moore	11-6-71	Moore	Moore	11-6-71	Moore	Moore	11-6-71	Moore
2	12-12-71	Moore	Moore	12-12-71	Moore	Moore	12-12-71	Moore	Moore	12-12-71	Moore
3	12-22-71	Moore	Moore	12-22-71	Moore	Moore	12-22-71	Moore	Moore	12-22-71	Moore
4	12-22-71	Moore	Moore	12-22-71	Moore	Moore	12-22-71	Moore	Moore	12-22-71	Moore

REV	DATE	BY	CHKD	DATE	BY	CHKD	DATE	BY	CHKD	DATE	BY
1	11-6-71	Moore	Moore	11-6-71	Moore	Moore	11-6-71	Moore	Moore	11-6-71	Moore
2	12-12-71	Moore	Moore	12-12-71	Moore	Moore	12-12-71	Moore	Moore	12-12-71	Moore
3	12-22-71	Moore	Moore	12-22-71	Moore	Moore	12-22-71	Moore	Moore	12-22-71	Moore
4	12-22-71	Moore	Moore	12-22-71	Moore	Moore	12-22-71	Moore	Moore	12-22-71	Moore

REV	DATE	BY	CHKD	DATE	BY	CHKD	DATE	BY	CHKD	DATE	BY
1	11-6-71	Moore	Moore	11-6-71	Moore	Moore	11-6-71	Moore	Moore	11-6-71	Moore
2	12-12-71	Moore	Moore	12-12-71	Moore	Moore	12-12-71	Moore	Moore	12-12-71	Moore
3	12-22-71	Moore	Moore	12-22-71	Moore	Moore	12-22-71	Moore	Moore	12-22-71	Moore
4	12-22-71	Moore	Moore	12-22-71	Moore	Moore	12-22-71	Moore	Moore	12-22-71	Moore

REV	DATE	BY	CHKD	DATE	BY	CHKD	DATE	BY	CHKD	DATE	BY
1	11-6-71	Moore	Moore	11-6-71	Moore	Moore	11-6-71	Moore	Moore	11-6-71	Moore
2	12-12-71	Moore	Moore	12-12-71	Moore	Moore	12-12-71	Moore	Moore	12-12-71	Moore
3	12-22-71	Moore	Moore	12-22-71	Moore	Moore	12-22-71	Moore	Moore	12-22-71	Moore
4	12-22-71	Moore	Moore	12-22-71	Moore	Moore	12-22-71	Moore	Moore	12-22-71	Moore

REV	DATE	BY	CHKD	DATE	BY	CHKD	DATE	BY	CHKD	DATE	BY
1	11-6-71	Moore	Moore	11-6-71	Moore	Moore	11-6-71	Moore	Moore	11-6-71	Moore
2	12-12-71	Moore	Moore	12-12-71	Moore	Moore	12-12-71	Moore	Moore	12-12-71	Moore
3	12-22-71	Moore	Moore	12-22-71	Moore	Moore	12-22-71	Moore	Moore	12-22-71	Moore
4	12-22-71	Moore	Moore	12-22-71	Moore	Moore	12-22-71	Moore	Moore	12-22-71	Moore

REV	DATE	BY	CHKD	DATE	BY	CHKD	DATE	BY	CHKD	DATE	BY
1	11-6-71	Moore	Moore	11-6-71	Moore	Moore	11-6-71	Moore	Moore	11-6-71	Moore
2	12-12-71	Moore	Moore	12-12-71	Moore	Moore	12-12-71	Moore	Moore	12-12-71	Moore
3	12-22-71	Moore	Moore	12-22-71	Moore	Moore	12-22-71	Moore	Moore	12-22-71	Moore
4	12-22-71	Moore	Moore	12-22-71	Moore	Moore	12-22-71	Moore	Moore	12-22-71	Moore

REV	DATE	BY	CHKD	DATE	BY	CHKD	DATE	BY	CHKD	DATE	BY
1	11-6-71	Moore	Moore	11-6-71	Moore	Moore	11-6-71	Moore	Moore	11-6-71	Moore
2	12-12-71	Moore	Moore	12-12-71	Moore	Moore	12-12-71	Moore	Moore	12-12-71	Moore
3	12-22-71	Moore	Moore	12-22-71	Moore	Moore	12-22-71	Moore	Moore	12-22-71	Moore
4	12-22-71	Moore	Moore	12-22-71	Moore	Moore	12-22-71	Moore	Moore	12-22-71	Moore

REV	DATE	BY	CHKD	DATE	BY	CHKD	DATE	BY	CHKD	DATE	BY
1	11-6-71	Moore	Moore	11-6-71	Moore	Moore	11-6-71	Moore	Moore	11-6-71	Moore
2	12-12-71	Moore	Moore	12-12-71	Moore	Moore	12-12-71	Moore	Moore	12-12-71	Moore
3	12-22-71	Moore	Moore	12-22-71	Moore	Moore	12-22-71	Moore	Moore	12-22-71	Moore
4	12-22-71	Moore	Moore	12-22-71	Moore	Moore	12-22-71	Moore	Moore	12-22-71	Moore

REV	DATE	BY	CHKD	DATE	BY	CHKD	DATE	BY	CHKD	DATE	BY
1	11-6-71	Moore	Moore	11-6-71	Moore	Moore	11-6-71	Moore	Moore	11-6-71	Moore
2	12-12-71	Moore	Moore	12-12-71	Moore	Moore	12-12-71	Moore	Moore	12-12-71	Moore
3	12-22-71	Moore	Moore	12-22-71	Moore	Moore	12-22-71	Moore	Moore	12-22-71	Moore
4	12-22-71	Moore	Moore	12-22-71	Moore	Moore	12-22-71	Moore	Moore	12-22-71	Moore

REV	DATE	BY	CHKD	DATE	BY	CHKD	DATE	BY	CHKD	DATE	BY
1	11-6-71	Moore	Moore	11-6-71	Moore	Moore	11-6-71	Moore	Moore	11-6-71	Moore
2	12-12-71	Moore	Moore	12-12-71	Moore	Moore	12-12-71	Moore	Moore	12-12-71	Moore
3	12-22-71	Moore	Moore	12-22-71	Moore	Moore	12-22-71	Moore	Moore	12-22-71	Moore
4	12-22-71	Moore	Moore	12-22-71	Moore	Moore	12-22-71	Moore	Moore	12-22-71	Moore

REV	DATE	BY	CHKD	DATE	BY	CHKD	DATE	BY	CHKD	DATE	BY
1	11-6-71	Moore	Moore	11-6-71	Moore	Moore	11-6-71	Moore	Moore	11-6-71	Moore
2	12-12-71	Moore	Moore	12-12-71	Moore	Moore	12-12-71	Moore	Moore	12-12-71	Moore
3	12-22-71	Moore	Moore	12-22-71	Moore	Moore	12-22-71	Moore	Moore	12-22-71	Moore
4	12-22-71	Moore	Moore	12-22-71	Moore	Moore	12-22-71	Moore	Moore	12-22-71	Moore

REV	DATE	BY	CHKD	DATE	BY	CHKD	DATE	BY	CHKD	DATE	BY
1	11-6-71										