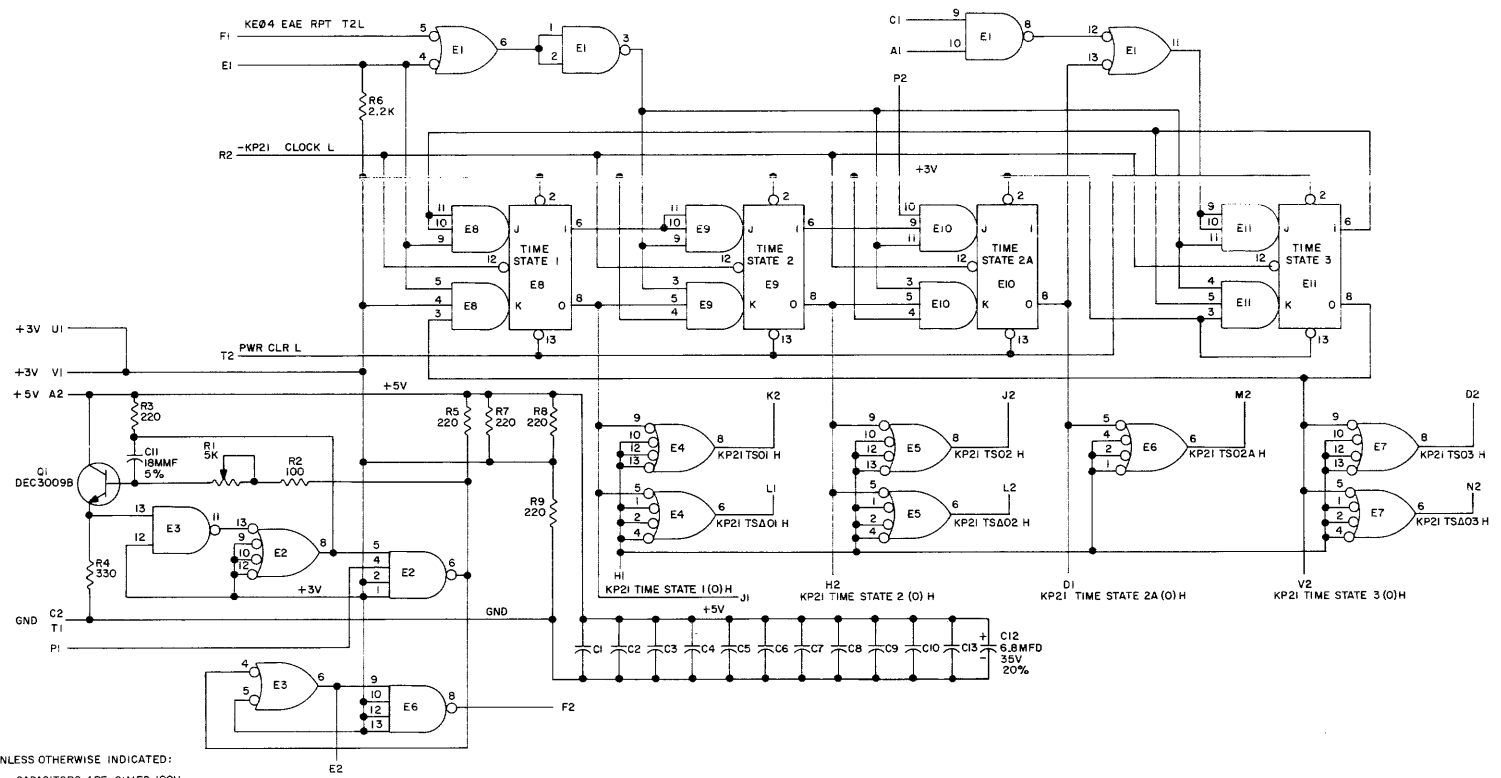


THIS SCHEMATIC IS FURNISHED ONLY FOR TEST AND MAINTENANCE PURPOSES. THE CIRCUITS ARE PROPRIETARY IN NATURE AND SHOULD BE TREATED ACCORDINGLY. COPYRIGHT 1969 BY DIGITAL EQUIPMENT CORPORATION.



UNLESS OTHERWISE INDICATED:  
 CAPACITORS ARE .01MFD,100V  
 RESISTORS ARE 1/4W, 5%  
 PIN 7 ON EACH IC = GND  
 PIN 14 ON EACH IC = +5V  
 E1 IS DEC7400N  
 E3 IS DEC74H00N  
 E2, E4, E5-E7 ARE DEC74H40N  
 E8, E9, E10, E11, ARE DEC74H72N