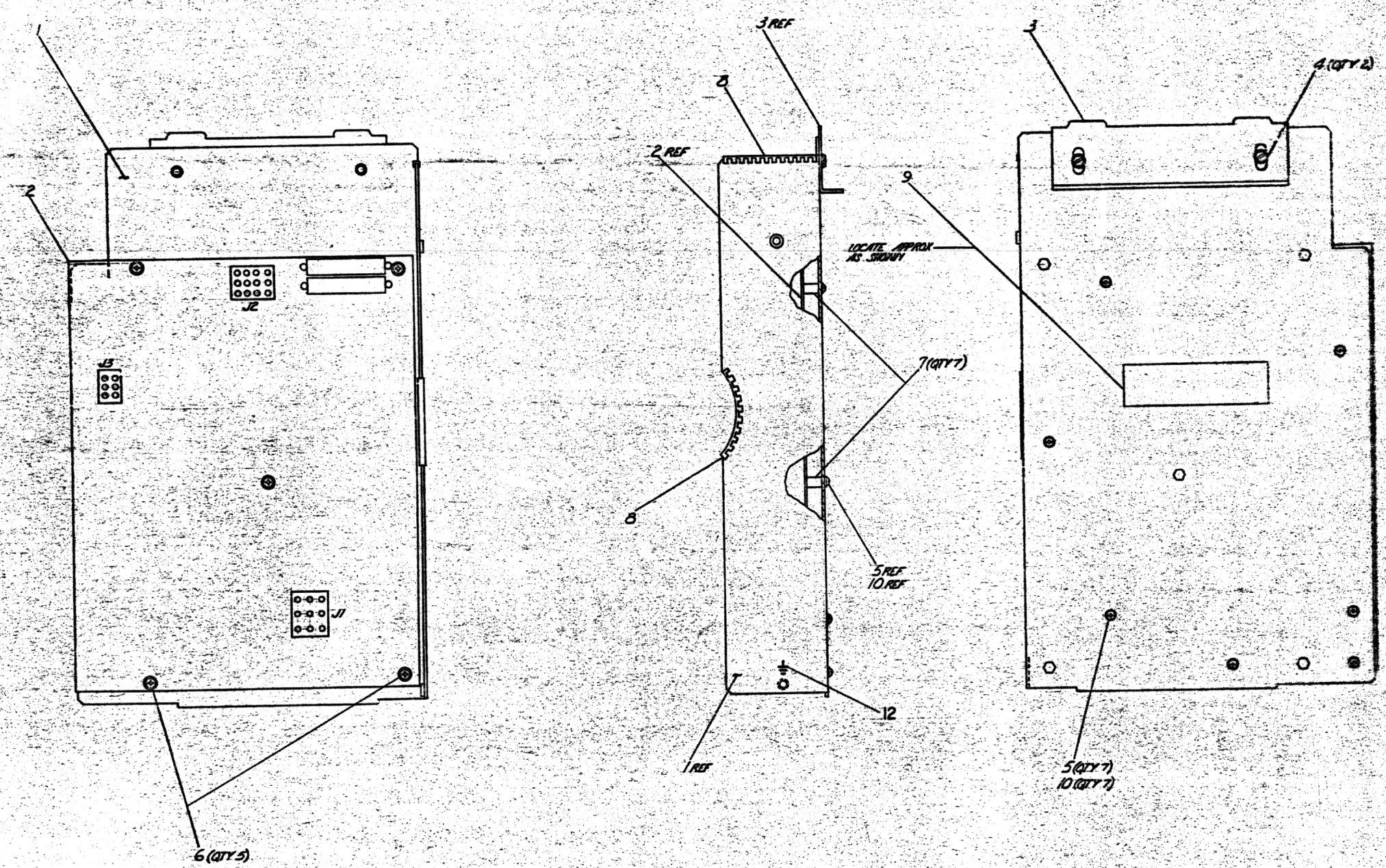


THIS DRAWING IS UNCLASSIFIED DATE 08-14-01 BY 60322 UCBAW/BJS/STP

NOTES:
 1. FOR INDIVIDUAL FIELD SERVICE/CUSTOMER SPARES SHIPMENTS USE PKG INSTRUCTIONS A-SR-3700518-0-0.



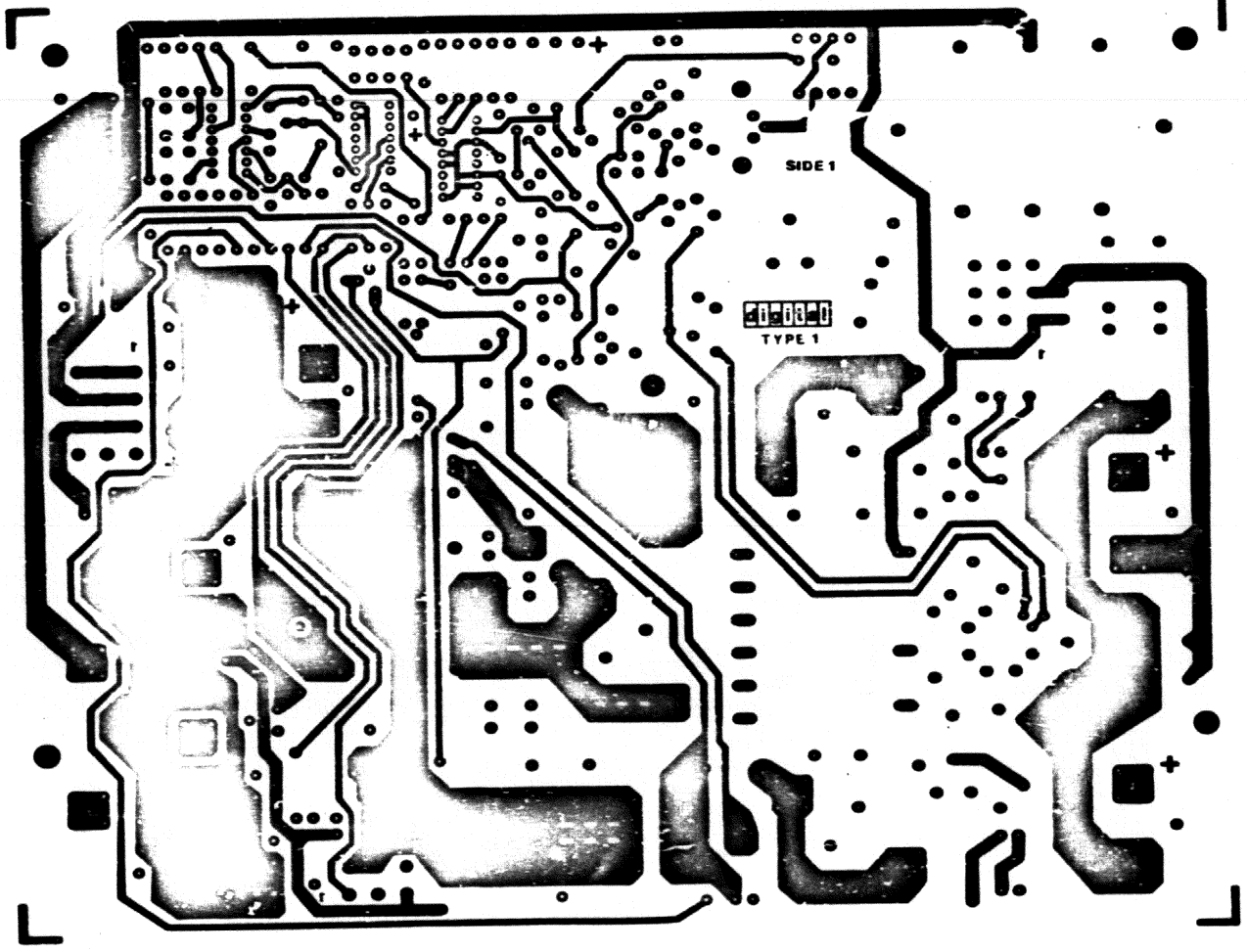
REV	DATE	BY	CHKD
1	01-15-77	W. J. HANCOCK	
2	01-15-77	R. J. CONNELL	
3	01-15-77	J. H. BROWN	
4	01-15-77	J. H. BROWN	
5	01-15-77	J. H. BROWN	
6	01-15-77	J. H. BROWN	
7	01-15-77	J. H. BROWN	
8	01-15-77	J. H. BROWN	
9	01-15-77	J. H. BROWN	
10	01-15-77	J. H. BROWN	
11	01-15-77	J. H. BROWN	
12	01-15-77	J. H. BROWN	

CAUTION: OFF SHEET PARTS LIST EXISTS. SEE B-PL-H7150-0-0

DATE	01-15-77
BY	J. H. BROWN
CHKD	
REV	1
POWER SUPPLY	
H7150-0-0	

ALL DIMENSIONS ARE IN INCHES UNLESS OTHERWISE SPECIFIED.
TOLERANCES ARE AS SHOWN.
MATERIALS ARE TO BE AS SPECIFIED IN THE BOM.

5413673 5013672E



THIS BOARD REQUIRES U L APPROVAL

DATE: 11/10/77
DRAWN BY: J. J. [unclear]
CHECKED BY: [unclear]

TITLE	LAI20 POWER SUPPLY	REV	1
SCALE	2:1	DATE	11/10/77
SHEET	2	OF	3
DESIGNER	J. J. [unclear]	APP'D	[unclear]
CHECKED	[unclear]	DATE	11/10/77

LINE	ITEM	DOCUMENT NUMBER	PART NUMBER	DESCRIPTION	QTY PER VARIATION	REFERENCE DESIGNATOR
1	1	E-ND-5413672-0-0	5413672-00	DRILL & ETCH SD	1	
2	2		1010117-00	1000 MFD 200V +50-100 AL EL	2	C1, C2
3	3		1010119-00	.0022 MFD 600V 100	2	C3, C20
4	4		1013404-11	.22 MFD 50V +50/-200 CER	7	C4, C5, C9, C10, C19, C22, C20
5	5		1010233-00	10,000 MFD 25V +5-200 AL EL	2	C6, C7
6	6		1010200-03	8200 MFD 0.3V GS AL EL	1	C8
7	7		1001010-01	.01 MFD 100V -20+50 25U DISC	9	C10, C11, C13, C16, C22=C20
8	8		1009007-00	1 MFD 100V 20 300 AL EL	2	C23, C27
9	9		1010200-02	2100 MFD 40V	1	C15
10	10		1010200-00	100 MFD 40V HQ AL EL	2	C17, C20
11	11		1012007-00	900 MFD 20V HQ 075D AL EL	2	C10, C21
12	12		1000055-00	2200.0 MFD 250V 200 Y50 DISC	9	C32, C39-C42
13	13		1011047-01	.01 MFD 400V 100 POLYPROP	1	C31
14	14		1010170-00	2700.0 MFD 100V 10 700PM	1	C20
15	15		1000010-00	100.0 MFD 100V 50200PM DMISS	2	C23, C29
16	16		1000328-00	.33 MFD 20V 100 150D S,TA	1	C26
17	17		1000012-00	.15 MFD 20V 100 S,TANT	1	C20
18	18		1112000-02	AL100 PIV=500 I= 1A	2	D1, D10
19	20		1105796-00	IN 4004 PIV=400 I= 1A D041 SP	2	D1=06, D17, D21, D21, P20
20	21		1110192-00	TR=70MS CON, CATHODE	2	D7, D8
21	22		1110003-00	UMS1701 PIV= 50 I= 6A	2	D9, D10
22	23		1110010-01	PIV=600 I=6A SI	4	D11, D12, D13, D14
23	24		1100073-00	ONS-TAXI V= 5, I 10, 400W	1	D22
24	25		1100110-00	D 664 GS75PCB PIV= 25V SP	5	D23, D24, D26, D19, D12
25	26		1112000-01	AL150 PIV=200 I= 3A	1	D25
26	27		1112000-01	AL100 PIV=200 I= 1A	4	D26, D27, D29, D30
27	28		1110369-00	VN 10 PIV=100 I=1A	1	E1
28	29		1010700-00	XA 55 PNP 500MW SI 60 50 P	1	G4
29	30		1010271-01	D 4403 MPN 31W 01220 30	1	G3
30	31		1010700-00	XA 05 MPN 500MW SI 60 50 P	1	G5

REVISION HISTORY		BASIC PART NO: 5413672		DRN:	JERRY BEAT	DATE:	05-OCT-79	D I G I T A L	
ENG:	ECO NUMBER	REV	SECTION A OF A	CHK'D:	T. SHETRANSKI	DATE:	05-OCT-79	TITLE	
	INIT		SECTION, VARIATION INDEX					PARTS LIST	
	1013672-0002	IC	(A) 00					LA120 POWER SUPPLY	
	1013672-0003		(B)	DES. ENG:	DAN SHEKMAN	DATE:	05-OCT-79	DOCUMENT NUMBER	
			(C)						
			(D)	RESP. ENG.:	DAN SHEKMAN	DATE:	05-OCT-79	SIZE/ CODE/ NUMBER	
			(E)						
			(F)	WFC. ENG.:	JIM JOICE	DATE:	09-APR-79	K	PL
			(G)					5413672-0-000	D
			(H)	ASSEMBLY NUMBER:		TOP DOCUMENT NUMBER:		FILE NAME:	EDIT #
			(I)	D-VA-5413672-0-0				1367AD, 01A	00

THIS DRAWING AND SPECIFICATIONS HEREIN, ARE THE PROPERTY OF DIGITAL EQUIPMENT CORPORATION AND SHALL NOT BE REPRODUCED OR COPIED OR USED IN WHOLE OR IN PART AS THE BASIS FOR THE MANUFACTURE OR SALE OF ITEMS WITHOUT WRITTEN PERMISSION. COPYRIGHT (C) 1980, DIGITAL EQUIPMENT CORPORATION

GENERATED BY PWLBY,2E(3)

PARTS LIST

SHEET 22 OF 23

LINE	ITEM	DOCUMENT NUMBER	PART NUMBER	DESCRIPTION	QTY	PER VARIATION	REFERENCE DESIGNATOR
31	32		1512702-00	NPN 100W 51325 15	2		G1,G2
32	33		1212297-00	MATE-N-LOK 12PIN UNIV HEADER	1		J0
33	34		1212297-02	MATE-N-LOK 9PIN UNIV HEADER	1		J1
34	35		1212297-05	MATE-N-LOK 6PIN UNIV HEADER	1		J3
36	37		1212426-00	HEAT SINK TO-3 1" HIGH	0		
36	38		1215228-00	*** THIS ITEM IS NOT USED ***	-		
37	39		1300513-00	33.0 K 2.0 W 5.0 Ω	2		R1,R2
38	41		1314338-00	1.0 W 2.0 W 5.0 Ω	2		R0,R9
39	42		1310076-00	.02 W 3.0 W 5.0 Ω	2		R0,R6
40	43		1310076-03	.05 W 3.0 W 5.0 Ω	1		R7
41	44		1312479-00	1.00 K 1/4W 10 MS50-F 100PPM	1		R1
42	47		1303114-00	1.0 K 1/4W 10 MS50-F 100PPM	7		R12,R47,R48,R53,R58,R59,R60
43	48		1302468-00	10.0 K .25 W 5.0 Ω	1		R13
44	49		1300114-00	3.48 K 1/4W 10 MS50-F 100PPM	1		R10
45	50		1302398-00	470.0 K .25 W 5.0 Ω	1		R18
46	51		1300438-00	2.70 K .25 W 5.0 Ω	1		R16
47	52		1314270-02	2.50 W 15.0 W 5.0 Ω	2		R10,R19
48	53		1314820-00	9.10 W 10.0 W 5.0 Ω	2		R22,R26
49	54		1300400-00	1.00 K .50 W 5.0 Ω	2		R23,R25
50	55		1314239-00	33 W 30 W	1		R00
51	56		1300219-00	68.0 .25 W 5.0 Ω	1		R43
52	57		1300999-00	1.0 M .25 W 5.0 Ω	1		R44
53	58		1314293-00	240.0 K .25 W 5.0 Ω	3		R00,R07,R08
54	59		1300336-00	200 K 1/4W 10 MS50-F 100PPM	1		R00
55	64		1300316-00	470.0 .25 W 5.0 Ω	1		R35
56	65		1300004-00	5.11 K 1/4W 10 MS50-F 100PPM	0		R20,R29,R30,R31,R0
57	66		1314107-00	6.10 K 1/4W 10 MS50-F 100PPM	2		R12,R10
58	67		1301317-00	10.0 .25 W 5.0 Ω	2		R36,R42
59	68		1302091-00	330.0 K .25 W 5.0 Ω	1		R33
60	69		1302177-00	47.0 K .25 W 5.0 Ω	2		R34,R31
61	70		1300205-00	270.0 .50 W 5.0 Ω	1		R27
62	72		1300308-00	270.0 W 2.0 W 5.0 Ω	1		R00
63	73		1300249-00	150.0 .50 W 5.0 Ω	1		R45
64	74		0000105-00	JUMPER, WIRE, INSULATED, BLACK B	1		B1
65	75		1310097-00	100 10W 30	1		B0
66	76		1300364-00	1.0 K .25 W 5.0 Ω	1		R00
67	77		1303154-00	34.0 K 1/4W 10 MS50-F 100PPM	2		R17,R01
68	78		1010234-00	CHOKER, DUAL, TUN-T, 15UH, GA-7A	1		B2,B3
69	79		1010042-00	CHOKER, 400UH 2, 2A	1		B3
70	80		1010039-01	XFMR PHAS 20 140	1		T1
71	81		1010272-00	PULSE XFMR, 4 WOUND	1		T2
72	82		1010237-00	XFMR PHAS 20 150150MA 50HZ	1		T3
73	83		1010250-00	3524 MODULATOR-REGULATING	1		B2
74	84		1012100-00	330 VOLT CAPTR, QUAD	1		B0
75	85		1010392-00	556 TIMER-DUAL	1		B3
76	86		1012048-00	DEC 7812 VOLT REG, FIX -12V	1		B1
77	87		1010017-00	7912 VOLT REG, FIX -12V	1		B2
78	88		1012048-00	DEC 7812 VOLT REG, FIX -12V	1		B3

INITIALS	TITLE	SECTION	DOCUMENT NUMBER	REV
	LA120 POWER SUPPLY	SECTION A OF A	0013073-0-000	D

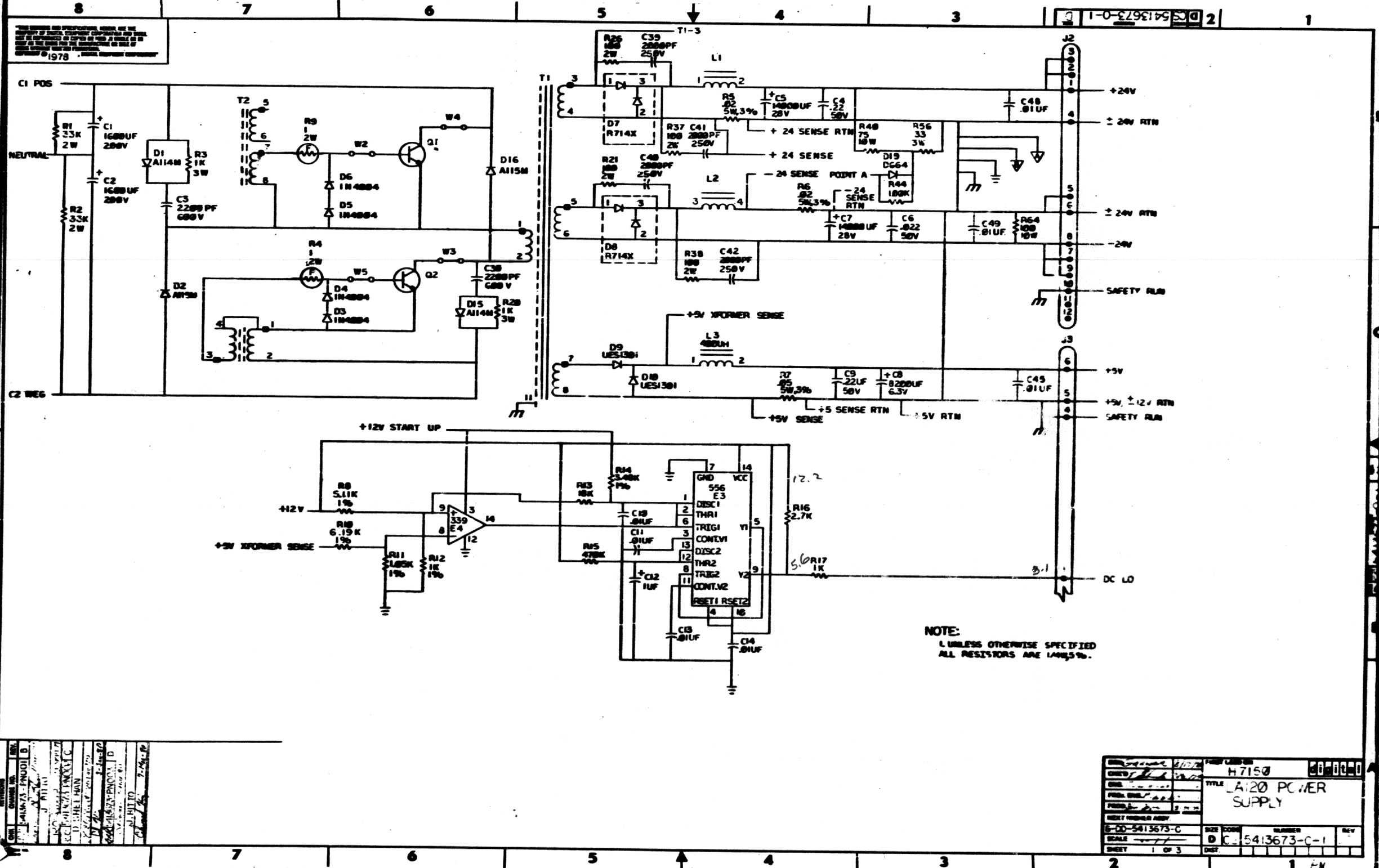
AUTOMATED BY PRTLST,2E(3)

P A R T S L I S T

SHEET A3 OF A3

LINE ITEM	DOCUMENT NUMBER	PART NUMBER	DESCRIPTION	QTY PER VARIATION 00	REFERENCE DESIGNATOR
79	89	9009798-00	SPACER, CERAMIC, .186 ODX, 078 ID	14	
80	90	9009950-01	WASHER, FLAT, .438 O.D. X .203 I	9	
81	91	9000038-07	SCREW, PAN, PHIL, 10-32X 3/8 B	8	
82	92	9007801-00	WASHER, LOCK, S.S. #6	12	
83	93	9006010-01	*** THIS ITEM IS NOT USED ***	-	
84	94	9006557-00	*** THIS ITEM IS NOT USED ***	-	
85	95	1214789-00	INSERT, THREADED 6-32, BRASS, ELEC	12	
86	98	9007793-01	SCREW, PAN, PHIL, 8-32X 9/16	12	
87	102	9007906-00	WASHER, LOCK S.S. #10	8	
88	103	1011740-05	1000,0 MMF 50V 10% CW15CCER	6	C33-C38
89	106	1112594-02	A115M PIV=600 IM 3A	2	D2, D16
90	107	1302380-00	100,0 2,0 W 5,0 %	CC 4	R21, R26, R37, R38
91	108	1310606-00	75 10W 5%	WW 1	R40
92	109	1312984-00	187 K 1/4W 1% RN55D-1873F	1	R55
93	110	1305323-00	511 K 1/4W 1% RN55D-F 100PPM	1	R63
94	111	1303943-00	464 K 1/4W 1% RN55D-F 100PPM	1	R52
95	113	1314675-00	1 K 3W 5%	WW 2	R3, R20
96	120	1302466-00	100,0 K .25 W 5,0 %	CC 1	R44
97	121	9006565-00	NUT, KEP, 10-32X 3/8 AF	1	
98	122	9009676-00	TERM LUG 1POS SOLDER	6	
99	123	9107780-00	WIRE, BUSS, 22AWG, 2" LENGTHS	4	W2-W5
100	124	1309094-00	100 5W 5%	WW 1	R39

D	I	G	I	T	A	L	TITLE	SECTION A OF A	SIZE/ CODE	DOCUMENT NUMBER	REV
							LA120 POWER SUPPLY		K PL	5413073-U-DBP	D



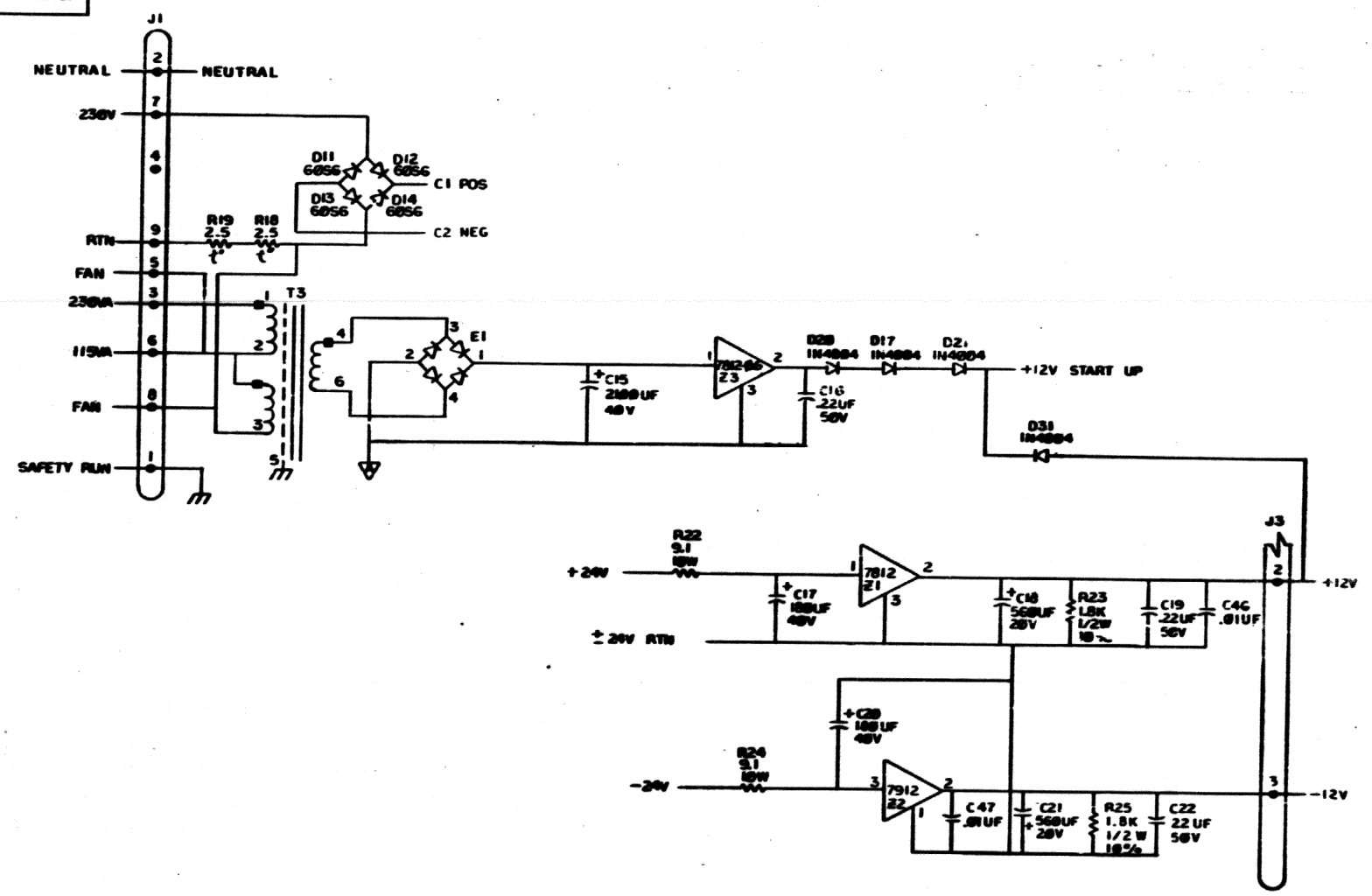
THIS DRAWING AND PERTINENT DATA ARE THE PROPERTY OF THE UNITED STATES GOVERNMENT AND ARE LOANED TO YOU BY THE NATIONAL BUREAU OF STANDARDS. IT IS TO BE USED FOR THE PURPOSES SPECIFIED IN THE ORDER AND IS NOT TO BE REPRODUCED OR TRANSMITTED IN ANY FORM OR BY ANY MEANS, ELECTRONIC OR MECHANICAL, INCLUDING PHOTOCOPYING, RECORDING, OR BY ANY INFORMATION STORAGE AND RETRIEVAL SYSTEM. DATE: 1978

REV	DATE	BY	CHKD
1	10/11/78	J. M. H.	J. M. H.
2	11/15/78	J. M. H.	J. M. H.
3	12/15/78	J. M. H.	J. M. H.
4	1/15/79	J. M. H.	J. M. H.
5	2/15/79	J. M. H.	J. M. H.
6	3/15/79	J. M. H.	J. M. H.
7	4/15/79	J. M. H.	J. M. H.
8	5/15/79	J. M. H.	J. M. H.

DESIGN NO.	5413673-C	REV	1
DATE	10/11/78	BY	J. M. H.
CHKD	J. M. H.	DATE	10/11/78
PROJECT	LA120 POWER SUPPLY		
SCALE	1:1	SIZE	D
SHEET	1 OF 3	NO.	5413673-C-1

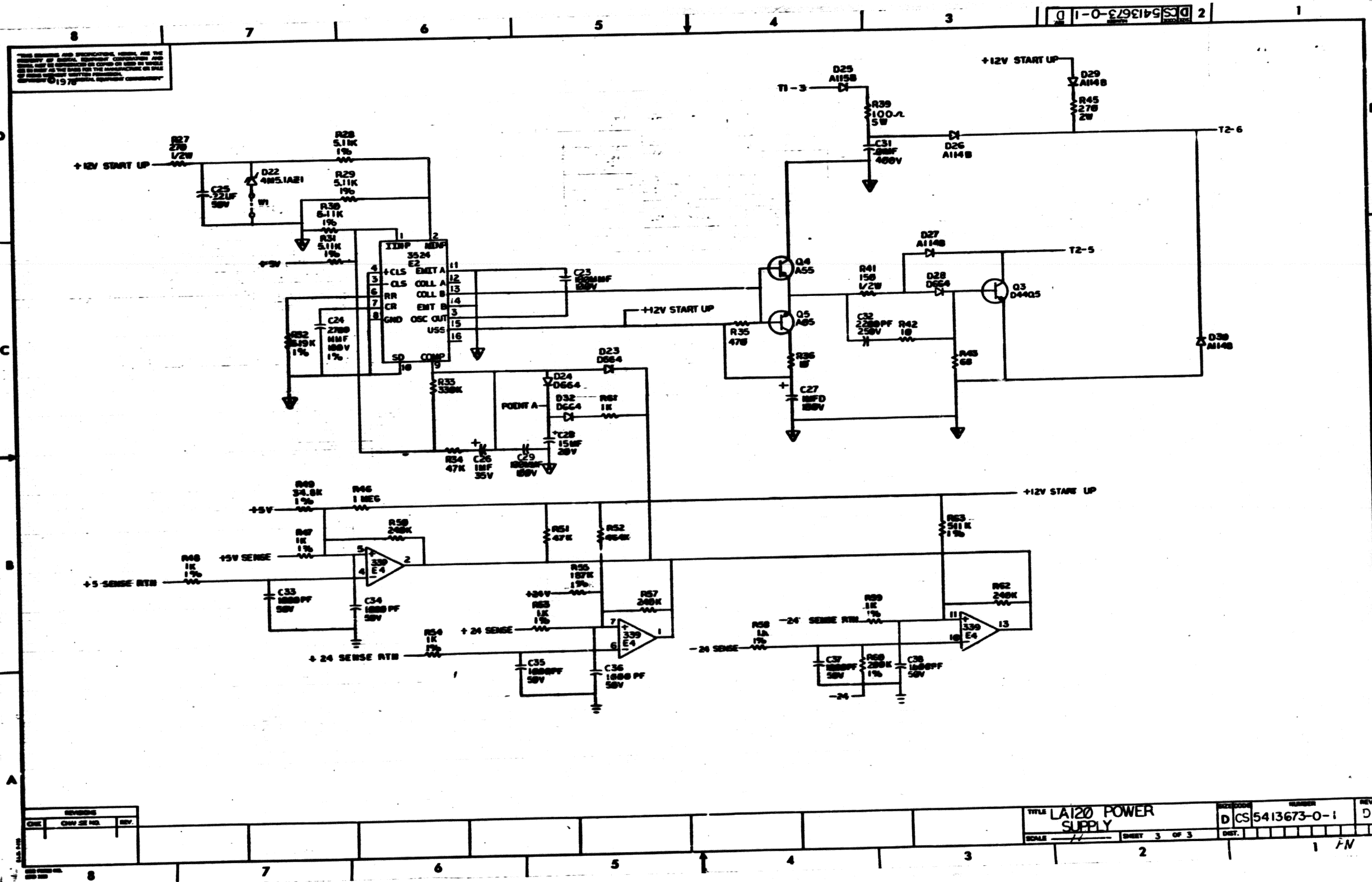
THIS DRAWING AND SPECIFICATIONS HEREIN ARE THE PROPERTY OF SPERRY AIRCRAFT CORPORATION AND SHALL NOT BE REPRODUCED OR COPIED IN WHOLE OR IN PART AS THE BASIS FOR THE MANUFACTURE OR SALE OF ITEMS UNLESS AUTHORIZED EXPRESSLY BY SPERRY AIRCRAFT CORPORATION.

D CS 5413673-0-1 2



REVISIONS		
CHK	CHANGE NO.	REV.

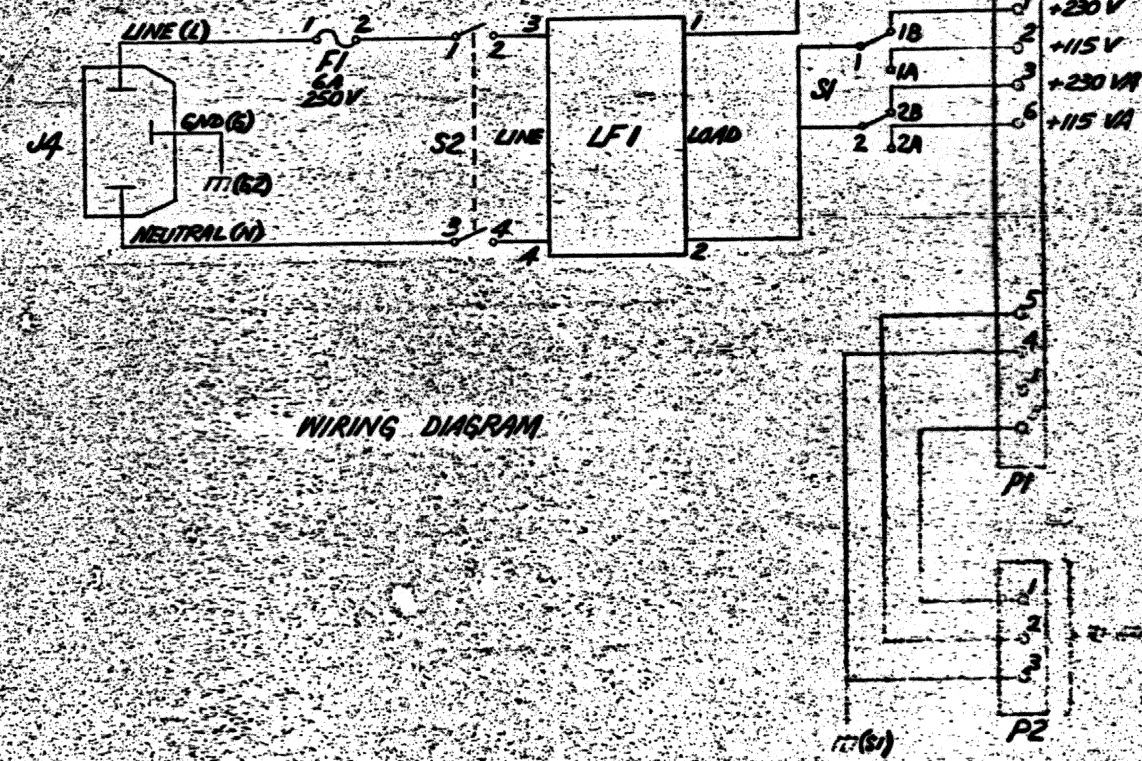
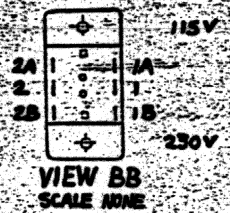
TITLE LA120 POWER SUPPLY
 D CS 5413673-0-1
 SHEET 2 OF 3
 REV. 1



THIS SCHEMATIC AND SPECIFICATIONS ARE THE PROPERTY OF THE MANUFACTURER AND ARE NOT TO BE REPRODUCED OR COPIED IN ANY MANNER WITHOUT THE WRITTEN PERMISSION OF THE MANUFACTURER. © 1977

WIRE TABLE

ITEM	DESCRIPTION	FROM	TO	REMARKS			
NO.	AWG	COLOR	POINT	CONN WITH	POINT	CONN WITH	
3	18	BLU	LF1-4	---	---	S2-4	---
4	18	BRN	LF1-3	---	---	S2-2	---
5	18	BLK	S2-1	---	---	F1-2	SOL577
6	18	BLU	S2-3	---	---	J4-N	SOL577
7	18	BRN	J4-L	SOL577	---	F1-1	SOL577
8	14	GN/BL	J4-G	SOL577	---	---	---
	14	GN/BL	1	---	---	61	ITEM #10
	14	GN/BL	2	---	---	61	ITEM #10
	18	BLU	SI-1	---	---	LF1-2	---
	18	BRN	PI-9	---	---	LF1-1	---
2	18	BLK	PI-7	---	11	SI-1B	---
	18	BLK	PI-3	---	12	SI-2B	---
	18	BRN	PI-2	---	13	SI-1A	---
	18	BRN	PI-6	---	14	SI-2A	---
	18	BLU	SI-2	---	15	SI-1	---



CHK	CHG	NO.	REV.

AUTOMATED BY PRTLST.3L(40)

PARTS LIST

SHEET 11 OF 21

LINE ITEM	DOCUMENT NUMBER	PART NUMBER	DESCRIPTION	QTY PER VARIATION	REFERENCE DESIGNATOR
1	D-IA-7420162-0-0	7420162-01	CHASSIS 50/60HZ PWR SUP	1	
2	D-IA-7016529-0-0	7016529-00	HARNESS, POWER SUPPLY	1	
3	C-IA-7015800-0-0	7015800-00	WIRE JUMPER/ POWER ENTRY	1	
4	C-IA-7015800-0-0	7015800-01	WIRE JUMPER/POWER ENTRY	1	
5	C-IA-7015800-0-0	7015800-02	WIRE JUMPER/POWER ENTRY	1	
6	C-IA-7015800-0-0	7015800-03	WIRE JUMPER/POWER ENTRY	1	
7	C-IA-7015800-0-0	7015800-04	WIRE JUMPER/POWER ENTRY	1	
8	C-IA-7015800-0-0	7015800-05	WIRE JUMPER/POWER ENTRY	1	
9		1216391-01	FUSE HOLDER HIGH PROFILE	1	F1
10		9006563-00	NUT, KEP , 8-32 X11/32AF	1	
11		1216297-00	FILTER, EMI FOR 50HZ PWR SUPPLY	1	LF1
12		9006021-01	SCREW, PAN, PHIL 6-32X 5/16 SS	2	
13		1216901-00	SW, SLIDE 2P 2A	1	S1
14		1214545-00	SW, RKR 2P15A	1	S2
15		1213773-00	CONN, POWER 3PIN RCPT NEMA 6-15R	1	J4
16		9006557-00	NUT, KEP , 4-40X 1/4 AF	4	
17		9107305-02	TUBING, SHRINK, .187ID EXP, UL R A/R	1	
18		9007999-00	FUSE, REG BLOW, 6.000A 250V, GL	1	F1
19		3612680-01	DECAL, GROUND SIGN PER 356	1	G1
20		9008151-00	WASHER, LOCK, EXT, TOOTH #8	1	
21		9006633-00	WASHER, LOCK, INT, .2800D X .146ID	2	

REVISION HISTORY		BASIC PART NO: 7016530		DFN:	C. GORDON	DATE:	16-APR-80	DIGITAL	
ENG:	ECU NUMBER	REV	SECTION A OF A	CHK'D:	L. GILBERT	DATE:	16-APR-80	TITLE	PARTS LIST
---	INITIAL	A	SECTION VARIATION INDEX						
JB	7016530-PN002	B	(A) 00					POWER ENTRY ASSY. (SWITCHER)	
			(B)	DES. ENG:	H. RASMUSEN	DATE:	2-NOV-78		
			(C)						
			(D)	RESP. ENG.:	H. RASMUSEN	DATE:	2-NOV-78	DOCUMENT NUMBER	
			(E)						
			(F)						
			(G)	MFG. ENG.:	J. JOYCE	DATE:	2-NOV-78	SIZE CODE: NUMBER	REV
			(H)						
			(I)	ASSEMBLY NUMBER:		TOP DOCUMENT NUMBER:		K PL 7016530-0-DAP	A
			(J)						
			(K)					FILE NAME:	EDIT #
			(L)	D-IA-7016530-0-0		B-DD-L 120-0-0-0		6530a.PLS	3
			(M)						
			(N)						

"THIS DRAWING AND SPECIFICATIONS HEREIN, ARE THE PROPERTY OF DIGITAL EQUIPMENT CORPORATION AND SHALL NOT BE REPRODUCED OR COPIED OR USED IN WHOLE OR IN PART AS THE BASIS FOR THE MANUFACTURE OR SALE OF ITEMS WITHOUT WRITTEN PERMISSION. COPYRIGHT (C) 1980, DIGITAL EQUIPMENT CORPORATION"

