

DICK BAILEY

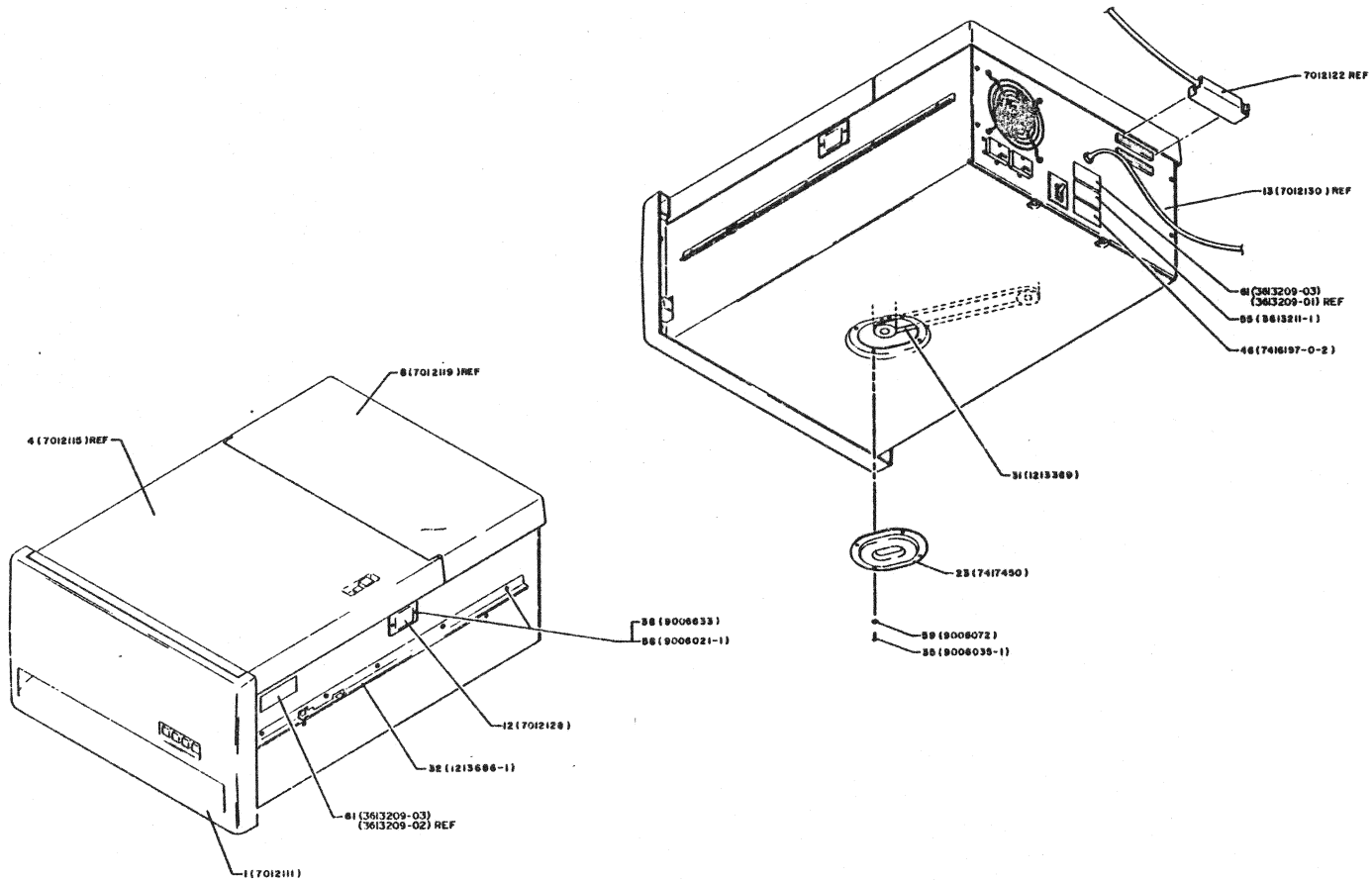
digital

RL01 PRINTSET.

RL01

1. Lower head item 851 shall be positioned rearwards against pin in carriage

NOTES:
 1. LOWER HEAD ITEM 851 SHALL BE POSITIONED REARWARDS AGAINST PIN IN CARRIAGE
 2. ALL SCREWS TO BE TIGHTENED AS FOLLOWS:
 4-40 SCREW, TORQUE 3.5 TO 5 IN LBS
 6-32 " " " 5.0 ± 1.0
 8-32 " " " 10.0 ± 1.0
 10-32 " " " 18.0 ± 2.0



REV	DATE	BY	CHKD	DESCRIPTION
1				REVISED
2				REVISED
3				REVISED
4				REVISED
5				REVISED

ITEM NO.	DESCRIPTION	QTY	UNIT	ASSEMBLY	OPERATION	TEST	INSPECTION	REWORK	REVISION
1
2
3
4
5

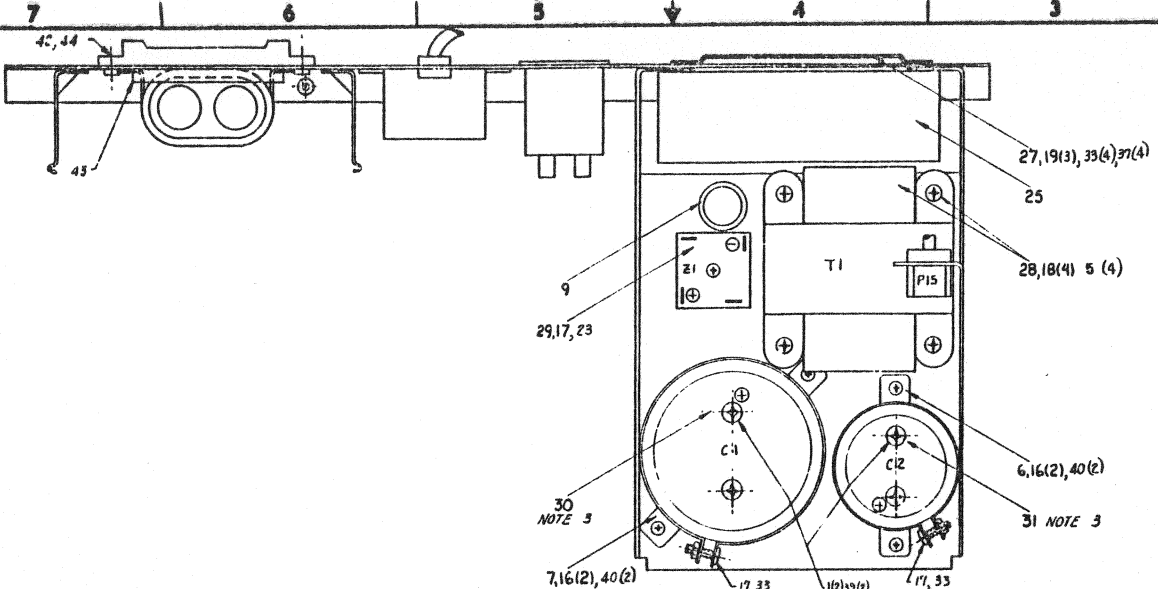
ASSEMBLY PRODUCTION: [Signature]

DO NOT SCALE DIMS

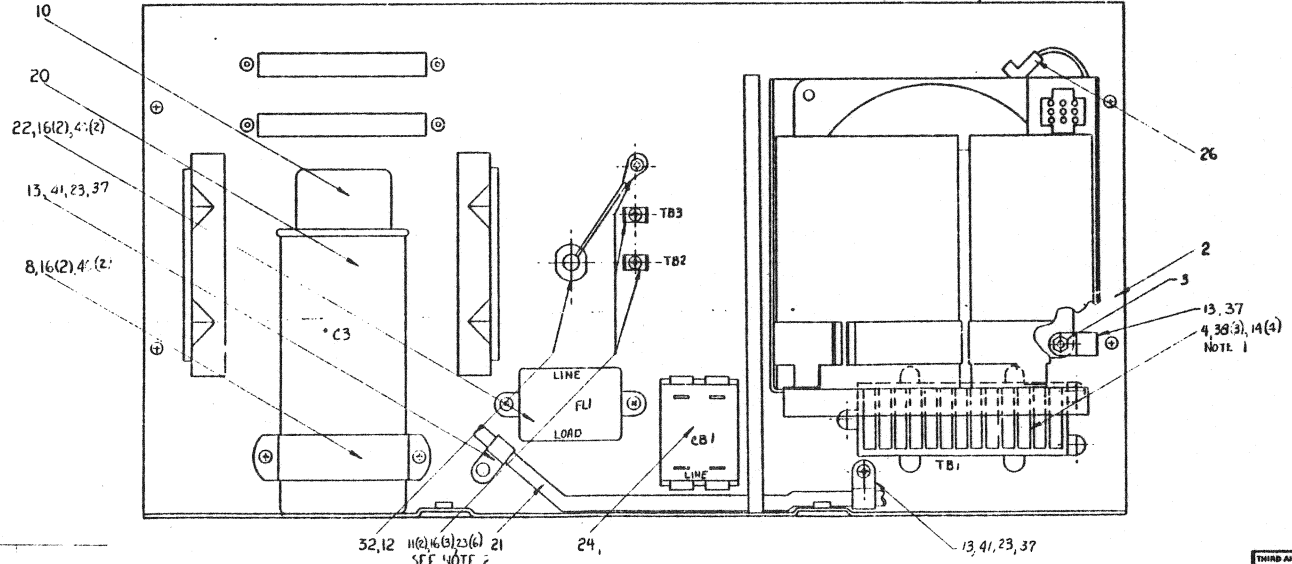
MATERIAL: [Blank]

FINISH: [Blank]

THIS DRAWING AND SPECIFICATIONS HEREBY ARE THE PROPERTY OF BIRDA COMPANY CORPORATION AND SHALL NOT BE REPRODUCED OR COPIED OR LENT OR BROWSED OR IN ANY MANNER FOR THE MANUFACTURE OR SALE OF REPAIR PARTS WITHOUT WRITTEN PERMISSION OF BIRDA COMPANY CORPORATION



- NOTES:
- 1.
 2. STAR WASHERS (ITEM 23) ARE OVER 4 UNDER 2 BLADE TERMINAL (ITEM 1) & GROUND TERMINAL
 3. ORIENTATE TERMINALS AS SHOWN.
 4. "60 HZ ONLY" DECAL OR STAMP TO BE APPLIED NEAR "EXIT" OF LINE CORD (ITEM 32)



4	SCREW PPH #4-40 X .25	4-PS-2006397-5	44
4	RECEPTACLE GLIDE	4-PS-1211591-30	43
2	RECEPTACLE	4-PS-1211591-35	42
2	SCREW #6-32 X 5/16	9006021-00	41
8	#6 EXT. EXT. STAR WASHER	90 01649-00	40
4	WASHER, INT. STAR #10	9006635-00	39
3	SCREW #6 ST X 3/4 PLASTIC	90 09400-02	38
7	#6 FLAT WASHER	9006653-00	37
1	HARNESS T.B.	B1A-1012125-0B-0	36
1	HARNESS T.B.	B1A-1012125-0E-0	35
1	HARNESS POWER	C1A-1012142-0-0	34
6	WIRE KEYS #6	90 09240-00	33
1	LINE CORD	B1A-1012109-0-0	32
1	CAPACITOR 20000 MF 40V	M15541-00	31
1	CAPACITOR 68000 MF 30V	1013530-00	30
1	DIODE ASSEMBLY	1110051-00	29
1	TRANSFORMER	1613997-00	28
1	GRILL FAN	1210263-00	27
1	CABLE FAN	B1A-1012110-0-0	26
1	FAN	1209103-01	25
1	CIRCUIT BREAKER	1213600-00	24
2	#6 INT. STAR WASHER	9006633-00	23
1	RPT. FILTER	1212877-00	22
1	HARNESS POWER PANEL	D1A-1012108-0-0	21
1	MOTOR CAPACITOR	1013132-00	20
3	SCREW #6-32 X 3/8	9006027-01	19
4	SCREW #6-32 X 1/16	9006036-01	18
3	SCREW #6-32 X 7/16	9006023-01	17
11	SCREW #6-32 X 1/4	9036020-01	16
AR	TASK E-AM	100-4-100-01	15
4	SCREW #6 X 5/8 PLASTIC	9009800-01	14
3	CABLE CLAMP 5/16	9007082-00	13
1	STRAIN RELIEF	9007068-00	12
2	BLADE TERMINAL	9007113-00	11
1	INSULATOR MOTOR CAP	1213683-00	10
1	GROMMET	9007016-00	9
1	BRACKET, CAPACITOR MOTOR	1213156-01	8
1	BRACKET, CAPACITOR	1210931-00	7
1	BRACKET, CAPACITOR	1210450-00	6
4	WASHER EXT. STAR #6	9006012-00	5
1	TERMINAL BLOCK ASSEMBLY	GAD-1012127-01-0	4
1	SCREW #6-32 X 1.00	2-06028-01	3
1	CHASSIS POWER SUPPLY	D1A116326-0-0	2
1	SCREW 10-32 X 1/2	2-18307-01	1

REV.	DESCRIPTION
1	INITIAL DESIGN
2	REVISED TO INCLUDE...
3	REVISED TO INCLUDE...
4	REVISED TO INCLUDE...
5	REVISED TO INCLUDE...
6	REVISED TO INCLUDE...
7	REVISED TO INCLUDE...
8	REVISED TO INCLUDE...

THIRD ANGLE PROJECTION

QUANTITY & VARIATION

DESCRIPTION

DWG. PART NO.

UNLESS OTHERWISE SPECIFIED DIMENSIONS ARE IN INCHES

ANGLES	CLASSE OF ACCURACY	CLASSE OF CHECK	CLASSE OF SURFACE QUALITY	CLASSE OF DIMENSION RANGE	CLASSE OF PITCHES
90°	AS	AS	AS	AS	AS
120°	AS	AS	AS	AS	AS
150°	AS	AS	AS	AS	AS
180°	AS	AS	AS	AS	AS
210°	AS	AS	AS	AS	AS
240°	AS	AS	AS	AS	AS
270°	AS	AS	AS	AS	AS
300°	AS	AS	AS	AS	AS
330°	AS	AS	AS	AS	AS
360°	AS	AS	AS	AS	AS

REMOVE BURRS AND BREAK SHARP CORNERS

DO NOT SCALE DIMS

MATERIAL: E-11A-RL01-0-0

SCALE: 1/1

SHEET: 1 OF 3

FIRST USED ON: RL01

TITLE: POWER PANEL ASSY

SIZE CODE: D

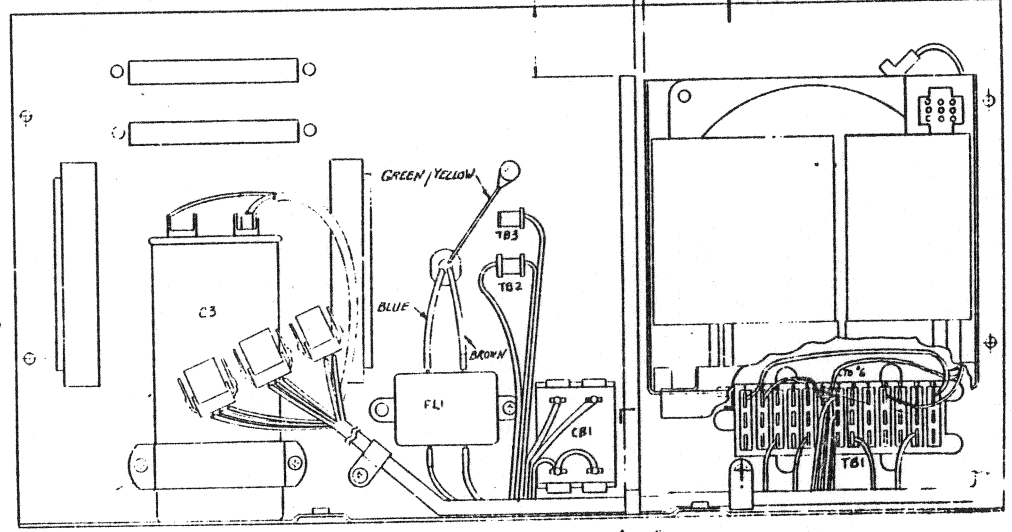
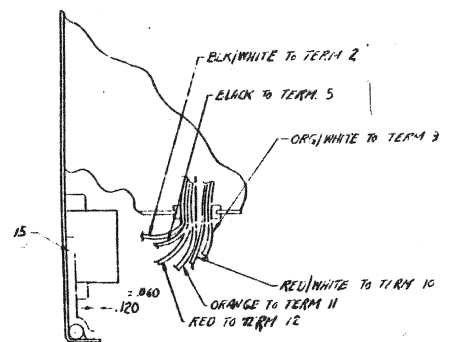
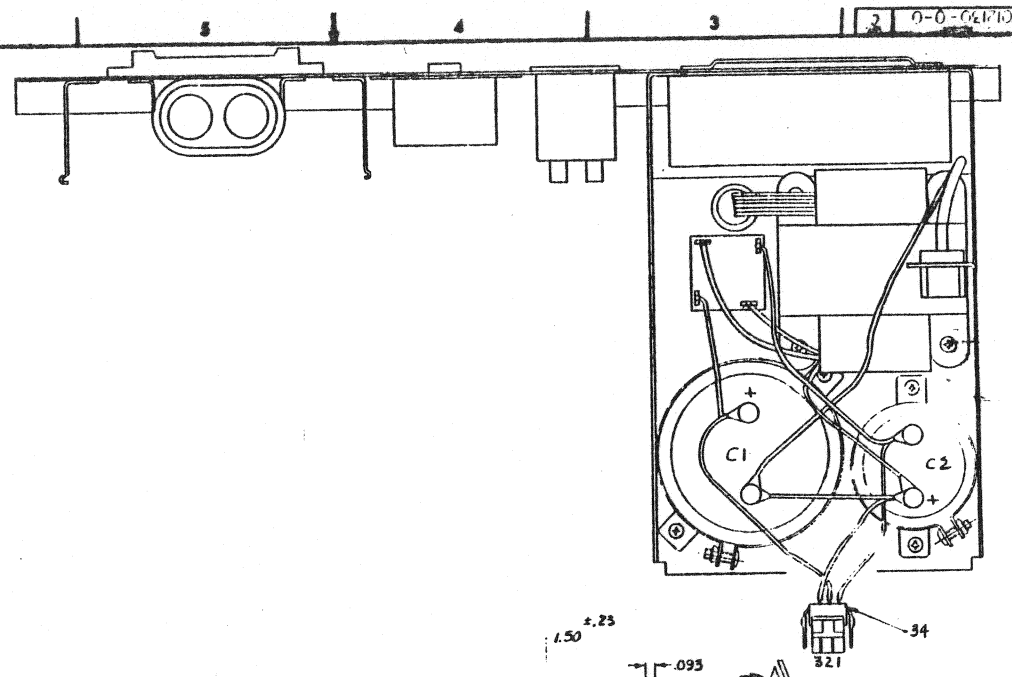
NUMBER: 7012150-0-0

REV.:

THE DRAWING AND SPECIFICATION, HEREIN, ARE THE PROPERTY OF BUSHNELL EQUIPMENT CORPORATION AND SHALL NOT BE REPRODUCED OR COPIED IN WHOLE OR IN PART, OR BY ANY MEANS, WITHOUT THE WRITTEN PERMISSION OF BUSHNELL EQUIPMENT CORPORATION.

NOTES:

1. INPUT VOLTAGE 50 OR 60 HZ
90-105, 100-127 VAC
180-210, 200-254 VAC
2. OUTPUT VOLTAGE ± 11.5 VDC MIN AT MIN POINT OF THE RIPPLE, 18 VDC MAX AT HIGH LINE. (MAX OF 25 VDC AT HIGH LINE, NO LOAD)
3. OUTPUT CURRENT: POSITIVE OUTPUT
2.5 AMP CONTINUOUS
3.5 AMP PULSE "25 MS"
NEGATIVE OUTPUT
.25 AMP CONTINUOUS
3.5 AMP PULSE "25 MS"
PULSE CURRENT ON ALTERNATE OUTPUT AT A 65 MS DUTY CYCLE.
4. OUTPUT RIPPLE AT 110 VOLTS
 - a) NO LOAD 100 mV P/P
 - b) +2.5 A 600 mV P/P
-2.5 A 300 mV P/P
 - c) +2.5 A 600 mV P/P
-3.75 A 1.5 V P/P DURING PULSE
5. RIPPLE AT 90 V RMS
 - + 2.5 A 500 mV
 - 3.75 A 2 V
 - + 6 A 500 mV
 - 2.5 A 400 mV
5. HIGH POT TEST PER UL 478
CONNECT BOTH AC LEADS TO THE POSITIVE TERMINAL OF THE SUPPLY AND GREEN WIRE GROUND TO THE NEGATIVE TERMINAL OF THE SUPPLY. CLOSE CIRCUIT BREAKER AND INCREASE VOLTAGE TO 1750 VDC. ANY CURRENT INDICATES FAILURE.



SECTION A-A

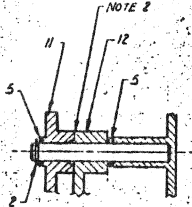
REVISIONS		
NO.	CHANGE NO.	REV.

TITLE	POWER PANEL ASSY	REV. NO.	D 10	QUANTITY	742130-0-0	REV.	
SCALE		SHEET	2	OF	3	DATE	

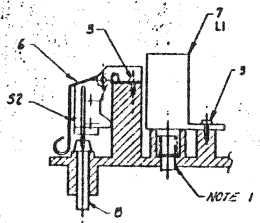
THIS DRAWING AND SPECIFICATIONS HEREON ARE THE PROPERTY OF DIGITAL EQUIPMENT CORPORATION AND SHALL NOT BE REPRODUCED OR COPIED OR USED IN WHOLE OR IN PART AS THE BASIS FOR THE MANUFACTURE OR SALE OF THIS VEHICLE WITHOUT PERMISSION. COPYRIGHT © 1976, DIGITAL EQUIPMENT CORPORATION

U-0-211212-0-0 2 1

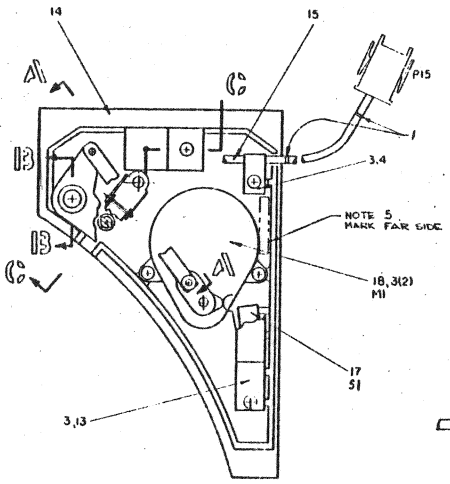
- NOTES:
1. PLUNGER OF SOLENOID (ITEM 7) MUST MOVE FREELY. WHEN ASSEMBLY IS POSITIONED IN "UP" POSITION (TIP OF PLUNGER POINTING UP) A DC VOLTAGE OF 6.9 VOLTS SHALL PULL THE PLUNGER DOWN.
 2. UPPER AND LOWER BRUSH HOLDER (ITEMS 11 & 12) BE WEDGED TOGETHER WITH (ITEM 21) BEFORE ASSEMBLY TO COVER (ITEM 14).
 3. ADJUST SWITCH (ITEM 17) BY LATERAL MOVEMENT OF BRACKET (ITEM 15). TRANSITION OF SWITCH TO OCCUR AT DEAD-CENTER OF CRANK (ITEM 19).
 4. CONNECT LEADS OF MOTOR (ITEM 18) TO PINS 3 & 4 OF CONNECTOR P15 AND LEADS OF SOLENOID (ITEM 7) TO PINS 6 & 7 OF CONNECTOR P15. DRESS WIRES AND TIE TO HARNESS (ITEM 15) WITH ITEM 1 AS SHOWN.
 5. PART TO BE MARKED WITH PART # (201212) AND REVISION LETTER IN AREA SHOWN.



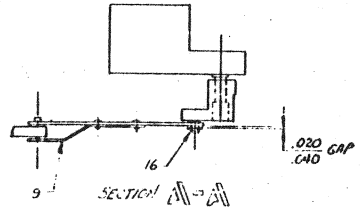
SECTION 13-13



SECTION C-C



NOTE 5
MARK FACE SIDE



QTY	DESCRIPTION	DWG PART NO.	ITEM NO.
1	ADHESIVE, PERMABOND 102	9009157	21
1	MOTOR, CRANK ASSEMBLY	2-AD-7614261-0-0	18
1	SWITCH	4-73-1214311-00	17
1	PUSHNUT FASTENER	9009865-00	6
1	BRUSH DRIVE HARNESS	CIA-7012124-0-0	5
1	COVER, BRUSH DRIVE	EIA-7415224-0-0	14
1	BRACKET, SWITCH	CMD-7415224-0-0	13
1	HOLDER, UPPER BRUSH	CMD-7415226-0-0	12
1	HOLDER, LOWER BRUSH	CMD-7415225-0-0	11
1	WASHER, LOCK #6 ENT	A-PS-4227647	10
1	BRUSH DRIVE LINK ASSEMBLY	CIA-7418789-C-C	9
1	PLUNGER, CARTRIDGE SENSE	B-MD-7416358-0-0	3
1	SOLENOID COVER LOCK	CPS-1213224-0-0	7
1	CARTRIDGE SENSE SWITCH ASSY	CAD-7012132-0-0	6
2	WASHER	9009668-00	5
1	CLAMP, CABLE	9007080-00	4
6	SCR, SELF-TAP #6 X .31 LG	9009800-02	3
1	RETAINER	9009866-00	2
4	WRAP, TIE	9007031-00	1

UNLESS OTHERWISE SPECIFIED DIMENSIONS ARE IN INCHES

ANGLES	CLASS OF ACCURACY	MINIMUM DIMENSION RANGE	TOLERANCE
30°	0	0.005 - 0.010	±0.001
45°	1	0.010 - 0.020	±0.002
60°	2	0.020 - 0.050	±0.003
90°	3	0.050 - 0.100	±0.004
120°	4	0.100 - 0.200	±0.005
150°	5	0.200 - 0.500	±0.006
180°	6	0.500 - 1.000	±0.007
225°	7	1.000 - 2.000	±0.008
270°	8	2.000 - 5.000	±0.009
315°	9	5.000 - 10.000	±0.010

THIRD ANGLE PROJECTION

REMOVE BURRS AND BREAK SHARP CORNERS

DO NOT SCALE DWG

MATERIAL: NEAT HIGHER ASSY.

SCALE: 1/1

FINISH: +

SIZE CODE: 0

SCALE: 1/1

FINISH: +

DATE: 11/11/77

PROJ. ENG: [Signature]

ENG. [Signature]

CHKD: [Signature]

DRW. BY: [Signature]

REV. 1

DESCRIPTION: BRUSH DRIVE ASSEMBLY

TITLE: BRUSH DRIVE ASSEMBLY

FIRST USED ON: [Blank]

DATE: [Blank]

SCALE: 1/1

FINISH: +

SIZE CODE: 0

SCALE: 1/1

FINISH: +

DATE: 11/11/77

PROJ. ENG: [Signature]

ENG. [Signature]

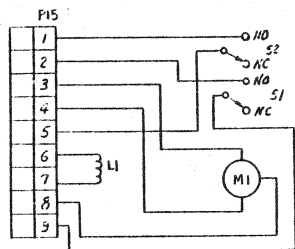
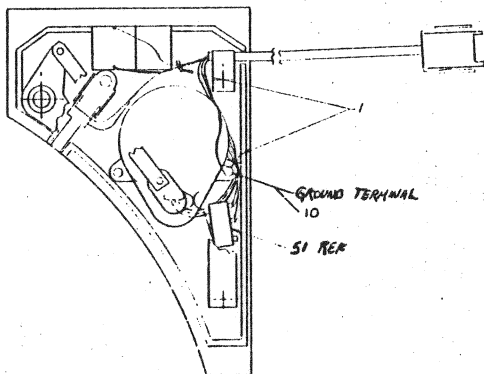
CHKD: [Signature]

DRW. BY: [Signature]

REV. 1

REV.	DESCRIPTION
1	INITIAL RELEASE
2	REVISIONS

THIS DRAWING AND SPECIFICATIONS HEREIN ARE THE PROPERTY OF DIGITAL EQUIPMENT CORPORATION, AND SHALL NOT BE REPRODUCED OR COPIED OR USED IN WHOLE OR IN PART AS THE BASIS FOR THE MANUFACTURE OR SALE OF ITEMS WITHOUT WRITTEN PERMISSION. COPYRIGHT © 1974, DIGITAL EQUIPMENT CORPORATION.



CIRCUIT SCHEMATIC

REVISIONS		
CHK	CHANGE NO	REV.

TITLE	SIZE/CODE	NUMBER	REV.
BRUSH DRIVE ASSEMBLY	D AD	7A2A2-0-0	A
SCALE 1/1	SHEET 2 OF 2	DIST	

DIGITAL EQUIPMENT CORPORATION

PARTS LIST

QUANTITY / VARIATION

NOTES:

MADE BY *Burnell* CHECKED *B. Burnell* SECTION
 DATE *8-9-76* DATE *2-18-77*
 ENG PROD *Bob Huk* ISSUED SECTION
 DATE *5/5/77* DATE *8/5/77*

ITEM NO.	DRAWING NO.	PART NO.	DESCRIPTION	QUANTITY	REF DESIGNATION
1	D-MD-5011843-0-0	5011843	ETCHED CIRCUIT BOARD	1	
2		1001610-00	CAPACITOR .01 uF 50V CER AX	18	C9, C10, C11, C12, C21, C23, C26, C29, C30, C31, C32, C33, C34, C20, C22, C25, C28
3		1005306-00	CAPACITOR 6.8 uF 35V TANT	4	C13, C14, C35, C36, C37
4		1000011-00	CAPACITOR 47 pF 100V MICA	1	C16
5		1000015-00	CAPACITOR 82 pF 100V MICA	1	C15
6		1013466-04	CAPACITOR 33 pF 50V CER AX	1	C8
7		1013466-05	CAPACITOR 56pF 50V CER AX	1	C5
8		1013466-07	CAPACITOR 220 pF 50V CER AX	5	C1, C2, C4, C17 C39
9		1013466-09	CAPACITOR 1,000 pF 50V CER AX	2	C3, C18
10		1013466-11	CAPACITOR .22 uF 50V CER AX	2	C24, C27
11		1013963-00	CAPACITOR 3,300 pF 500V B5U	2	C6, C7
12		1011740-02	CAPACITOR 1800 pF 50V CER RAD	1	C19
13		1005020-00	CAPACITOR 22 pF 100V MICA	1	C38
14		1113953-00	DIODE 1N523D	1	D1
15		1110994-00	DIODE 1N751A	3	D16, D19, D22
16		1111577-00	DIODE 1N4454	20	D2, D3, D4, D5, D6, D7, D8, D9, D10, D11, D12, D13, D14, D15, D17, D18, D20, D21, D23, D24
17		1300271-00	RESISTOR 220Ω 1/4W 5% CC	1	R5
18		1300229-00	RESISTOR 100Ω 1/4W 5% CC	5	R40, R52, R54, R59, R65
19		1300232-00	RESISTOR 100Ω 1W 5% CC	2	R11, R12
20		1300247-00	RESISTOR 120Ω 1/4W 5% CC	3	R7, R8, R56
21		1300365-00	RESISTOR 1K 1/4W 5% CC	8	R13, R14, R35, R36, R48, R49, R61, R66
22		1300444-00	RESISTOR 3.9K 1/4W 5% CC	1	R46
23		1300447-00	RESISTOR 4.7K 1/4W 5% CC	5	R17, R19, R20, R22, R33
24		1300479-00	RESISTOR 10K 1/4W 5% CC	1	R31
25		1301317-00	RESISTOR 10Ω 1/4W 5% CC	2	R63, R64
26		1302612-00	RESISTOR 1.78K 1/4W 1% MF	2	R50, R51
27		1301477-00	RESISTOR 82Ω 1/4W 5% CC	1	R6
28		1301972-00	RESISTOR 270Ω 1/4W 5% CC	1	R62

E.C.O. NO. RELEASED AT REV'D EQUAL DI
 5/11/74-0007
 2B E
 B. Burnell
 G. REICHENBERG
 K. Bailey
 5/11/74-0007
 2B-F
 B. Burnell
 G. REICHENBERG
 K. Bailey

THIS DRAWING AND SPECIFICATIONS, HEREIN, ARE THE PROPERTY OF DIGITAL EQUIPMENT CORPORATION AND SHALL NOT BE REPRODUCED OR COPIED OR USED IN WHOLE OR IN PART AS THE BASIS FOR THE MANUFACTURE OR SALE OF ITEMS WITHOUT WRITTEN PERMISSION. COPYRIGHT © 1977 DIGITAL EQUIPMENT CORPORATION

TITLE: READ/WRITE BOARD

ASSY NO.: D-UA-5411844-0-0

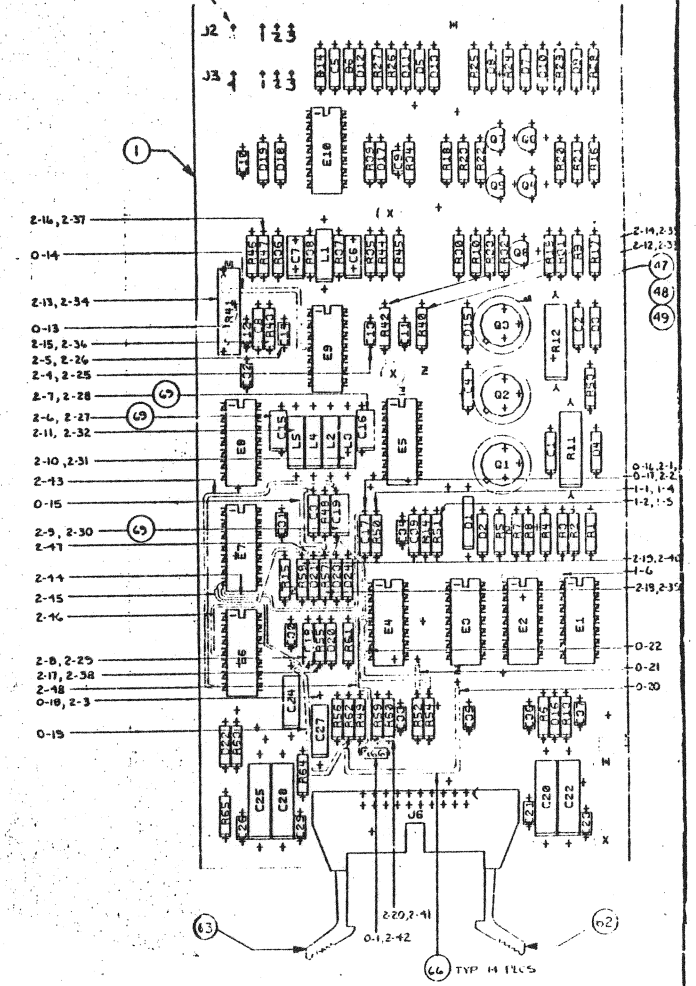
SIZE: B PL NUMBER: 5411844-0-0 REV. F

SHEET 1 OF 3 INSERTION PARTS LIST DATA BASE REV

THIS DRAWING AND SPECIFICATIONS, HEREIN, AND THE RIGHTS OF DESIGN, COPYRIGHT PROTECTION AND ALL RIGHTS OF PATENT ARE RESERVED BY THE UNITED STATES GOVERNMENT. THIS DRAWING IS THE PROPERTY OF THE UNITED STATES GOVERNMENT AND IS NOT TO BE REPRODUCED OR TRANSMITTED IN ANY FORM OR BY ANY MEANS, ELECTRONIC OR MECHANICAL, INCLUDING PHOTOCOPYING, RECORDING, OR BY ANY INFORMATION STORAGE AND RETRIEVAL SYSTEM, WITHOUT PERMISSION IN WRITING FROM THE UNITED STATES GOVERNMENT.

COMPONENT SIDE VIEW

64-MOUNT ON SIDE 2-8 PLCS



NOTES:

CHANGE NO	REV	DESCRIPTION
1	D	RELEASED
2	E	REWORK
3	F	REWORK
4	G	REWORK
5	H	REWORK
6	I	REWORK
7	J	REWORK
8	K	REWORK
9	L	REWORK
10	M	REWORK
11	N	REWORK
12	O	REWORK
13	P	REWORK
14	Q	REWORK
15	R	REWORK
16	S	REWORK
17	T	REWORK
18	U	REWORK
19	V	REWORK
20	W	REWORK
21	X	REWORK
22	Y	REWORK
23	Z	REWORK

ETCH REV.	D
P.C. DESIGN DATA	DL

SIGNATURES	DATE	TITLE
DRN	1/1/77	digital
CHK'D	1/1/77	READY FOR BOARD
ENG.	1/1/77	
PROJ. ENG.	1/1/77	
PROD.	1/1/77	
SCALE	1:1	SIZE CODE
SHT. 1 OF 4		NUMBER
NEXT HIGHER ASSY.		REV

MS# 80983

DIGITAL EQUIPMENT CORPORATION

PARTS LIST

QUANTITY / VARIATION

NOTES:

MADE BY <i>E. Burnell</i>	CHECKED <i>E. Burnell</i>	SECTION
DATE <i>8-9-77</i>	DATE <i>2-18-77</i>	
ENG <i>E. Burnell</i>	PROD <i>Bob Kirk 5/5/77</i>	ISSUED SECTION
DATE	DATE	

5411844-0-0

ITEM NO.	DRAWING NO.	PART NO.	DESCRIPTION	QUANTITY	VARIATION	REF DESIGNATION
57		1910741-00	IC, DEC, 7406	1		E7
58		1912816-00	IC, DEC, 74LS32	1		E1
59		1910268-01	IC, DEC, 75107B-01	1		E5
60		1910725-00	IC, DEC, 75108A	1		E6
61		1209941-06	CONNECTOR, 20 PIN BERG	1		J6
62		1209941-03	LATCH, CONNECTOR, RIGHT	1		J6
63		1209941-04	LATCH, CONNECTOR, LEFT	1		J6
64		1210385-01	PIN, HEAD CONNECTOR, GOLD	8		J2, J3
65		9007791-00	TERMINAL, TURRET	3		TP1, TP2, TP3
66		9105740-55	WIR, AWG 30	AR		R42, R43
67		1303067-06	RESISTOR, 422Ω, 1/4W, 1%, MF	2		R47, R57
68		1300219-00	RESISTOR, 68Ω, 1/4W, 5%, CC	2		(C15, C16, C19)
69		9107256-11	TUBING, THIN EXTRUDED TFE	AR		

E.C.O. NO.

THIS DRAWING AND SPECIFICATIONS, HEREIN, ARE THE PROPERTY OF DIGITAL EQUIPMENT CORPORATION AND SHALL NOT BE REPRODUCED OR COPIED OR USED IN WHOLE OR IN PART AS THE BASIS FOR THE MANUFACTURE OR SALE OF ITEMS WITHOUT WRITTEN PERMISSION. COPYRIGHT © 1977 DIGITAL EQUIPMENT CORPORATION

TITLE
READ/WRITE BOARD

ASSY NO.
D-UA-5411844-0-0

SIZE	CODE	NUMBER	REV.
B	PL	5411844-0-0	F

SHEET 3 OF 3

INSERTION PARTS LIST DATA BASE REV

DIGITAL EQUIPMENT CORPORATION

PARTS LIST

QUANTITY / VARIATION

NOTES:

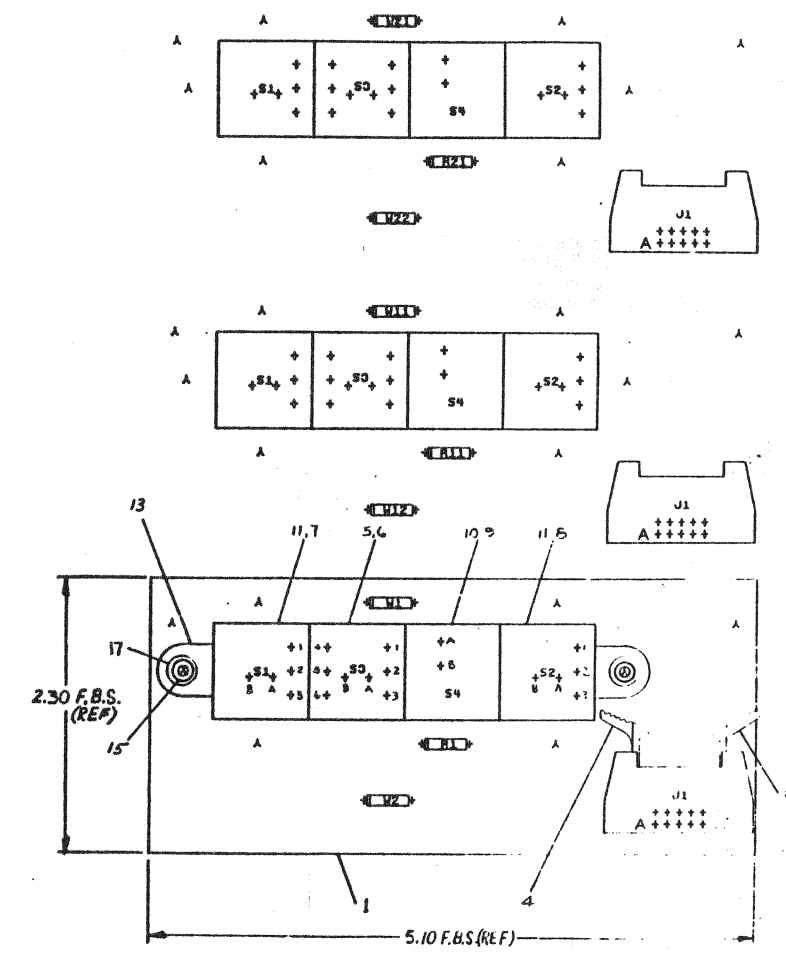
MADE BY STEVE HARLOW	CHECKED PHYLLIS BURNELL	SECTION
DATE APRIL 1976	DATE 10 January 1977	
ENG <i>et al</i>	PROD	ISSUED SECTION
DATE 3-7-77	DATE 1/9/77	

ITEM NO.	DRAWING NO.	PART NO.	DESCRIPTION	5411846-0-0	REF DESIGNATION
1	D-MD-5011845-0-0	5011845	ETCH BOARD	1	
2		1209941-05	CONNECTOR, 10 PIN BERG	1	J1
3		1209941-04	CONNECTOR LATCH - LEFT	1	
4		1209941-03	CONNECTOR LATCH - RIGHT	1	
5		1212690-01	SWITCH, DRIVE SELECT	1	S3
6		1212691-00	SWITCH CAP, DRIVE SELECT UNIT 0	1	S3
7		1212714-05	SWITCH CAP, LOAD	1	S1
8		1212714-01	SWITCH CAP, WRITE PROTECT	1	S2
9		1212714-02	SWITCH CAP, FAULT	1	S4
10		1212715-01	INDICATOR, FAULT	1	S4
11		1212717-01	SWITCH, PB MAINTAINED	2	S1, S2
12		1212716-01	BULB, 14V	4	
13		1213188-01	SWITCH MOUNTING BRACKET, 4 POS.	1	
14		1300365	RESISTOR, 1K, 1/4W, 5%	1	R1
15		9006732	EYELET, GS4-7	2	
16		9107560-01	BUSS WIRE, JUMPER	2	W1, W2
17		9006655	WASHER	2	

E.C.O. NO.

THIS DRAWING AND SPECIFICATIONS, HEREIN, ARE THE PROPERTY OF DIGITAL EQUIPMENT CORPORATION AND SHALL NOT BE REPRODUCED OR COPIED OR USED IN WHOLE OR IN PART AS THE BASIS FOR THE MANUFACTURE OR SALE OF ITEMS WITHOUT WRITTEN PERMISSION. COPYRIGHT © 1977 . DIGITAL EQUIPMENT CORPORATION	TITLE	ASSY NO.	SIZE	CODE	NUMBER	REV.
	FRONT PANEL	D-UA-5411846-0-0	B	PL	5411846-0-0	D
		SHEET 1 OF 1	INSERTION PARTS LIST DATA BASE REV			

COMPONENT SIDE VIEW



NOTES:

CHANGE NO	REV

ETCH REV. C
P.C. DESIGN DATA DATE REV. C

SIGNATURES		DATE	digital
DRAWN BY: [Signature]		11/25/76	
CHK'D BY: [Signature]		11 11	TITLE FRONT PANEL
ENG. C: [Signature]			
PROJ. ENG. [Signature]		5/7/77	
SCALE 2/1			
SMT. 1 OF 2			SIZE CODE NUMBER REV
NEXT HIGHER ASSY. B-DC 541184G-0			D UA 541184G-0-0

THIS IS THE ONLY ELECTRICAL SYMBOLS ARE THE SAME AS IN THE IEC SYMBOLS. THE ONLY DIFFERENCE IS THAT THE SYMBOLS ARE NOT CIRCLED AS IN THE IEC SYMBOLS. THE SYMBOLS ARE THE SAME AS IN THE IEC SYMBOLS. THE ONLY DIFFERENCE IS THAT THE SYMBOLS ARE NOT CIRCLED AS IN THE IEC SYMBOLS.

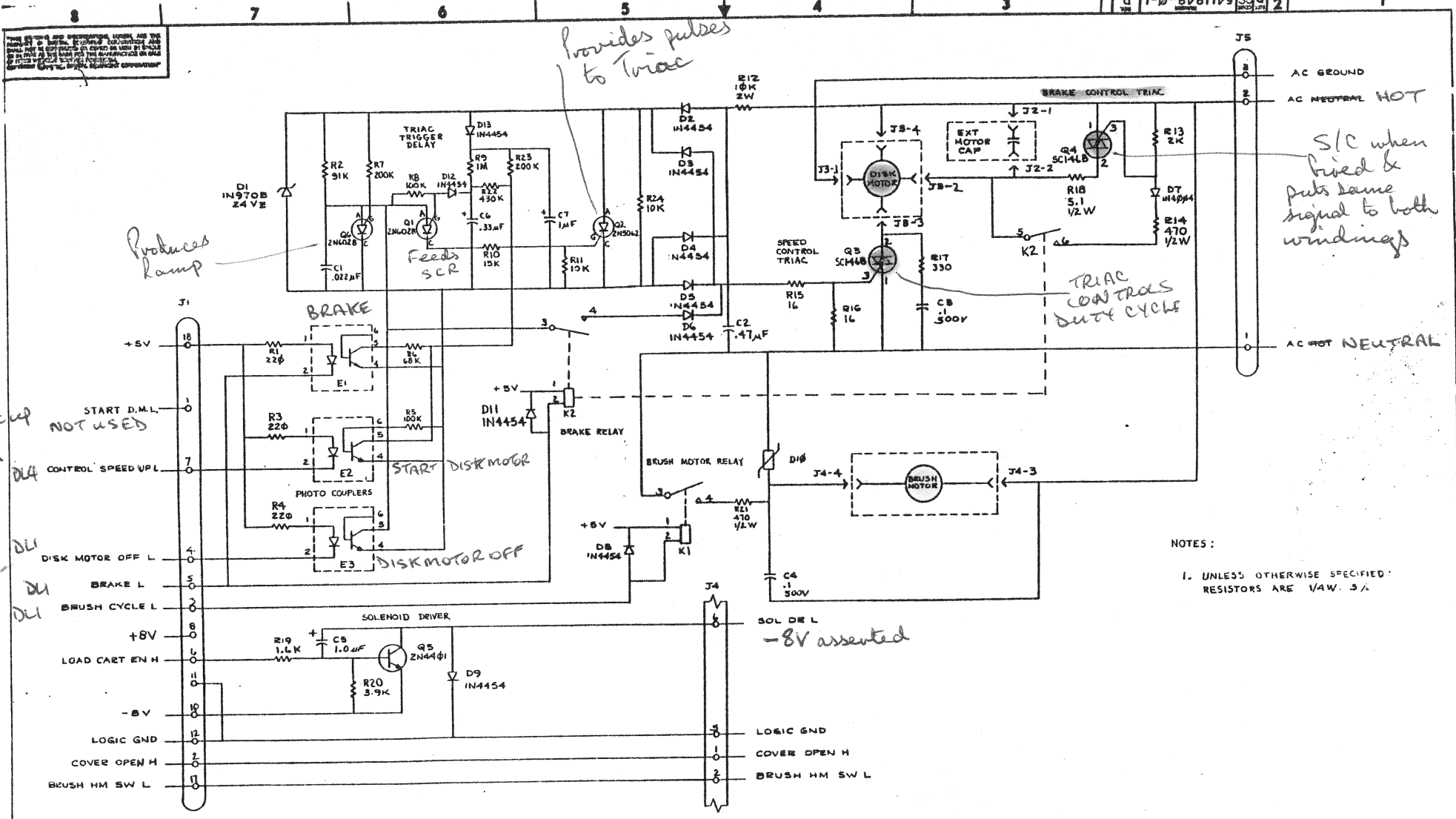
used on int. start up
used for motor pulses

Produces Ramp

Provides pulses to Triac

S/C when fired & puts same signal to both windings

TRIAC CONTROLS DUTY CYCLE



NOTES:
1. UNLESS OTHERWISE SPECIFIED RESISTORS ARE 1/4W. 5%

REV.	DATE	BY	CHKD.	DESCRIPTION
1				REVISED BY K1 BUS FIELD SERVICE MAN. TATIAN
2				PHILIP S. COOK
3				G. R. HARRIS

DRWS. No. 211171	FIRST USED ON	digital
CHNG. 23	REC'D	
ENG. 11	TITLE	AC SERVO
PRCL. ENG. 11	NUMBER	D 5411848-0-1
PROD. 11	REV.	
NEXT HIGHER ASSY.	SCALE	1 OF 1
D-UA-5411848-0-0	SIZE	
SCALE	DIST.	

DIGITAL EQUIPMENT CORPORATION

PARTS LIST

QUANTITY / VARIATION

NOTES:

USED ON OPTION/MODEL RL01

MADE BY H. RICHER	CHECKED PHYLLIS BURNELL	SECTION
DATE 13 March 1976	DATE 10 January 1977	
ENG DATE 1/27/77	PROD DATE D. Le Sage 6/7/77	ISSUED SECTION

ITEM NO.	DRAWING NO.	PART NO.	DESCRIPTION	5411848-0-0	REF DESIGNATION
1	D-MD-5011847-0-0	5011847	ETCH BOARD	1	
2		1011683-00	CAPACITOR .022uf 50V CER	1	C1
3		1012312-01	CAPACITOR .47uf 50V CER	1	C2
4		1013682-00	CAPACITOR .1uf 500V CER	2	C3, C4
5		1001776-00	CAPACITOR 1.0uf 35V S.TANT	2	C5, C7
6		1110856-00	DIODE 1N970B	1	D1
7		1111577-00	DIODE 1N4454	10	D2, D3, D4, D5, D6, D8, D9, D11, D12, D13
8		1105796-00	DIODE 1N4004	1	D7
9		1510727-01	IC, (OPTICAL ISOLATOR)	3	E1, E2, E3
10		1213917-00	RELAY, DPDT, CASE B3	1	K2
11		1213915-00	RELAY, SPDT, CASE B1	1	K1
12		1110997-00	VARISTOR 130V	1	D10
13		1209941-06	CONNECTOR 20 PIN BERG	1	J1
14		1213922-00	CONNECTOR 2 PIN	1	J2
15		1213922-01	CONNECTOR 3 PIN	1	J5
16		1213922-03	CONNECTOR 4 PIN	1	J3
17		1213922-04	CONNECTOR 6 PIN	1	J4
18		1300315-00	RESISTOR 470 OHM 1/2W 5% CC	2	R14, R21
19		1300271-00	RESISTOR 220 OHM 1/4W 5% CC	3	R1, R3, R4
20		1311220-00	RESISTOR 5.1 OHM 1/2W 5% CC	1	R18
21		1301327-00	RESISTOR 68K 1/4W 5% CC	1	R6
22		1302466-00	RESISTOR 100K 1/4W 5% CC	2	R8, R5
23		1300444-00	RESISTOR 3.9K 1/4W 5% CC	1	R20
24		1314516-00	RESISTOR 200K 1/4W 5% CC	2	R7, R23
25		1300496-00	RESISTOR 15K 1/4W 5% CC	1	R10
26		1300479-00	RESISTOR 10K 1/4W 5% CC	2	R11, R24
27		1300482-00	RESISTOR 10K 2W 10% CC	1	R12
28		1312927-00	RESISTOR 16 OHM 1/4W 5% CC	2	R15, R16

ECO. NO. RELEASED BY REV. C EQUAL TO E1 PLUS F.S. ANN. PARTIAL ON C.S. BURNELL RICHER

THIS DRAWING AND SPECIFICATIONS, HEREIN, ARE THE PROPERTY OF DIGITAL EQUIPMENT CORPORATION AND SHALL NOT BE REPRODUCED OR COPIED OR USED IN WHOLE OR IN PART AS THE BASIS FOR THE MANUFACTURE OR SALE OF ITEMS WITHOUT WRITTEN PERMISSION. COPYRIGHT © 1977 DIGITAL EQUIPMENT CORPORATION	TITLE AC SERVO	ASSY NO. D-UA-5411848-0-0	SIZE B	CODE PL	NUMBER 5411848-0-0	REV. D
EN 0114 A-16 R276(325) DRB 125		SHEET 1 OF 2	INSERTION PARTS LIST DATA BASE REV A			

21

DIGITAL EQUIPMENT CORPORATION

PARTS LIST

QUANTITY / VARIATION

NOTES:

USED ON OPTION/MODEL RL01

MADE BY H. RICHER

CHECKED PHYLLIS BURNELL

SECTION

DATE 23 March 1976

DATE 10 January 1977

ENG P/B

PROD

ISSUED SECTION

DATE 6/7/77

DATE D. L. Sage 6/7/77

5411848-0-0

ITEM NO.	DRAWING NO.	PART NO.	DESCRIPTION	QUANTITY	VARIATION	REF DESIGNATION
29		1314649-00	RESISTOR, 430K, 1/4W, 5%, CC	1		R22
30		1300295-00	RESISTOR 330OHM 1/4W 5% CC	1		R17
31		1302388-00	RESISTOR 2K 1/4W 5% CC	1		R13
32		1309595-00	RESISTOR 1.1M 1/4W 5% CC	1		R9
33		1303176-00	RESISTOR 1.6K 1/4W 5% CC	1		R19
34		1209941-03	LATCH, CONNECTOR, LEFT	1		J1
35		1209941-04	LATCH, CONNECTOR, RIGHT	1		J1
36		1510877-00	UJT, 2N6028	2		Q1, Q6
37		1110968-00	TRANSISTOR, 2N5062 (SCR)	1		Q2
38		1513698-00	TRANSISTOR, SC146B (TRIAC)	2		Q3, Q4
39		1513489-00	TRANSISTOR, 2N4401	1		Q5
40		9006557-00	KEPNUT #4-40	2		Q3, Q4
41		9006010-01	SCREW, PPH #4-40 X 5/16"	2		Q3, Q4
42		9006655-00	FLAT WASHER .312" O.D. X .125" I.D.	2		Q3, Q4
43						
44		1000002-04	CAPACITOR, .33uF, 35V, TANT	1		C6
45		1314650-00	RESISTOR, 91K, 1/4W, 5%, CC	1		R2

ECO. NO.

THIS DRAWING AND SPECIFICATIONS, HEREIN, ARE THE PROPERTY OF DIGITAL EQUIPMENT CORPORATION AND SHALL NOT BE REPRODUCED OR COPIED OR USED IN WHOLE OR IN PART AS THE BASIS FOR THE MANUFACTURE OR SALE OF ITEMS WITHOUT WRITTEN PERMISSION. COPYRIGHT © 1977 DIGITAL EQUIPMENT CORPORATION

TITLE
AC SERVO

ASSY NO.
D-UA-5411848-0-0

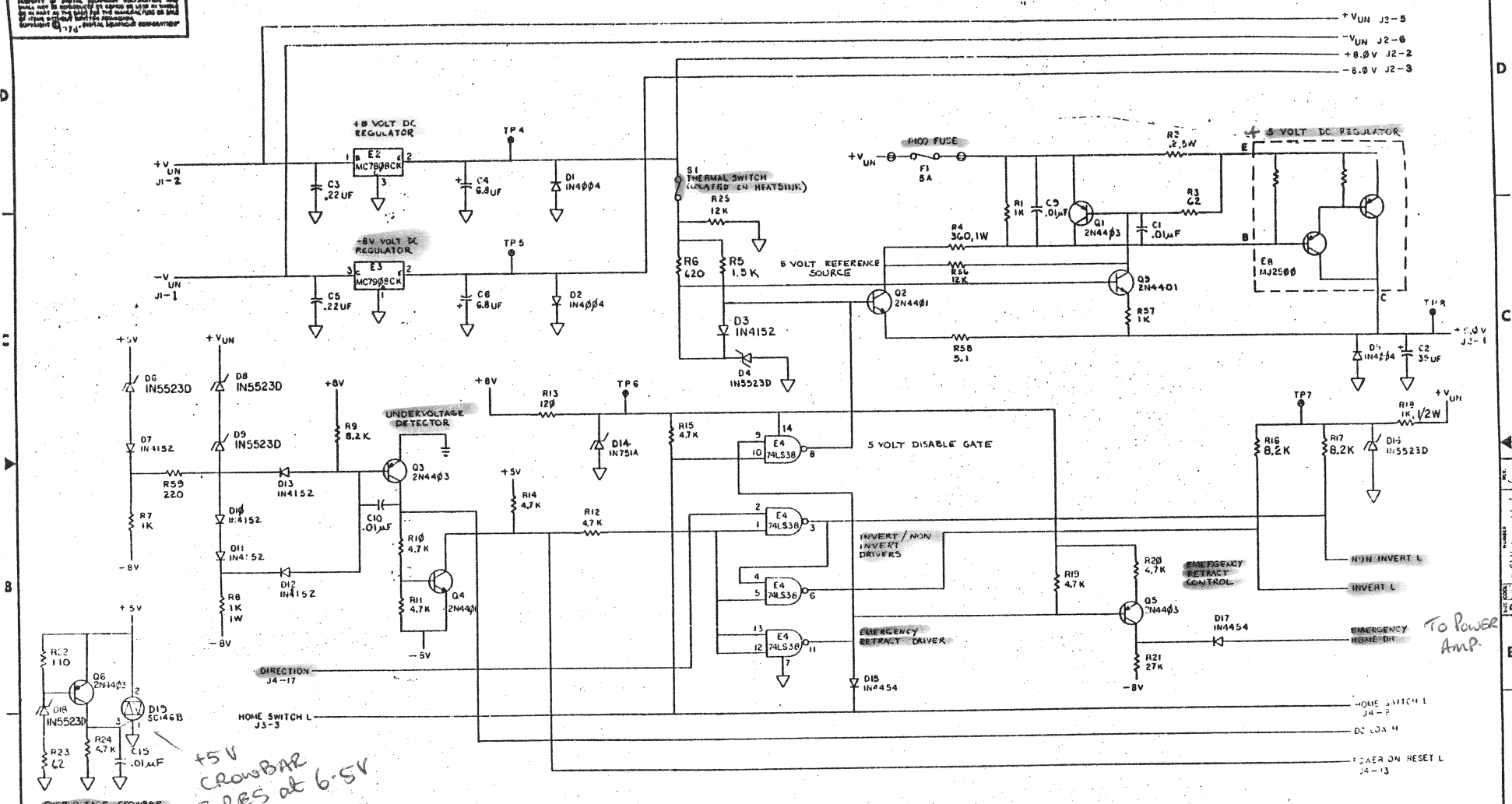
SIZE CODE NUMBER
B PL 5411848-0-0

REV.
D

SHEET 2 OF 2

INSERTION PARTS LIST DATA BASE REV

The drawing and specifications herein are the property of the United States Government and shall not be reproduced or copied in whole or in part without the express written permission of the Department of Defense.



+5V CROWBAR FIRES at 6.5V

NOTE:
1. ALL RESISTORS TO BE 1/4W 5% UNLESS OTHERWISE SPECIFIED

REV.	DATE	BY	CHKD.	DESCRIPTION
1	1-14-61
2	1-14-61
3	1-14-61
4	1-14-61
5	1-14-61
6	1-14-61
7	1-14-61
8	1-14-61

DRN. E. D. ...	DATE	FIRST USED ON	...
CHKD.
ENGR.
PROG. ENR.
PROD. D.
HEAT TREATMENT
D-USA-5411850-0-1	REV. CODE	NUMBER	REV.
SCALE	D	CS 5411850-0-1	C
SHEET	1 OF 2	DIST.	...

To Power Amp.

DIGITAL EQUIPMENT CORPORATION

PARTS LIST

QUANTITY/VARIATION

NOTES:

MADE BY SCOTT STEVENS
 DATE 10 Jun 76
 ENG *[Signature]*
 DATE 6/7/77

CHECKED *E. Y. Bunnell*
 DATE 2-9-77
 PROD
 DATE *D. A. Sage 10-7-77*

SECTION
 ISSUED SECTION

1. R60 + R61 not included on Pl.
 Value will be determined in testing.

ITEM NO.	DRAWING NO.	PART NO.	DESCRIPTION	5411850-0-0	REF DESIGNATION
1	D-MD-5011849-0-0	5011849	ETCHED BOARD	1	
2		1013466-08	CAPACITOR, 680 pF, 10%, 50V, Cer. Ax.	1	C12
3		1002423-00	CAPACITOR, 3,300 pF, 10%, 50V, Mica	1	C7
4		1001610-00	CAPACITOR, .01 uF, 10%, 50V, Cer.	4	C1, C9, C10, C15
5		1002630-00	CAPACITOR, .015 uF, 10%, 100V, Mylar	1	C8
6		1013466-11	CAPACITOR, .22 uF, 50V, Cer. Ax.	3	C3, C5, C11
7		1005306-00	CAPACITOR, 6.8 uF, 35V, Tant	4	C4, C6, C13, C14
8		1000076-00	CAPACITOR, 39 uF, 10V, Tant	1	C2
9		1309422-00	RESISTOR, 5.1 OHM, 1/4 W 5% CC	1	R58
10		1312929-00	RESISTOR, 62 OHM, 1/4 W 5% CC	2	R3, R23
11		1311523-00	RESISTOR, 110 OHM, 1/4 W 5% CC	1	R22
12		1300247-00	RESISTOR, 120 OHM, 1/4 W 5% CC	1	R13
13		1300271-00	RESISTOR, 220 OHM, 1/4 W 5% CC	1	R59
14		1301425-00	RESISTOR, 300 OHM, 1/4 W 5% CC	1	R55
15		1303178-00	RESISTOR, 620 OHM, 1/4 W 5% CC	1	R6
16		1300365-00	RESISTOR, 1K, 1/4 W 5% CC	4	R1, R7, R44, R57
17		1300391-00	RESISTOR, 1.5K, 1/4 W 5% CC	1	R5
18		1302388-00	RESISTOR, 2K, 1/4 W 5% CC	1	R43
19		1300426-00	RESISTOR, 2.7K, 1/4 W 5% CC	2	R46, R47
20		1300316-00	RESISTOR, 470Ω, 1/4 W 5% CC	1	R39
21		1302389-00	RESISTOR, 4.3K, 1/4 W 5% CC	1	R53
22		1300447-00	RESISTOR, 4.7K, 1/4 W 5% CC	9	R10, R11, R12, R14, R15, R19, R20, R24, R49
23		1303179-00	RESISTOR, 8.2K, 1/4 W 5% CC	3	R9, R16, R17
24		1300488-00	RESISTOR, 12K, 1/4 W 5% CC	5	R25, R26, R31, R45, R56
25		1305346-00	RESISTOR, 27K, 1/4 W 5% CC	1	R21
26		1300539-00	RESISTOR, 120K, 1/4 W 5% CC	1	R35
27		1312923-00	RESISTOR, 2.10K, 1/4 W 1% MF	1	R41
28		1305114-00	RESISTOR, 3.48K, 1/4 W 1% MF	1	R34

E.C.O. NO. *140 251 -B1-*
 RELEASED AT *B* EQUAL BY *Bunnell*
 PERIOD *10/1/77*
 BY *Reichenberg*

THIS DRAWING AND SPECIFICATIONS, HEREIN, ARE THE PROPERTY OF DIGITAL EQUIPMENT CORPORATION AND SHALL NOT BE REPRODUCED OR COPIED OR USED IN WHOLE OR IN PART AS THE BASIS FOR THE MANUFACTURE OR SALE OF ITEMS WITHOUT WRITTEN PERMISSION. COPYRIGHT © 1977 DIGITAL EQUIPMENT CORPORATION

TITLE
 DC SERVO AND POWER BOARD

ASSY NO.
 D-UA-5411850-0-0

SIZE	CODE	NUMBER	REV.
B	PL	5411850-C-0	C
SHEET 1 OF 3			INSERTION PARTS LIST DATA BASE REV

DIGITAL EQUIPMENT CORPORATION

PARTS LIST

MADE BY SCOTT STEVENS	CHECKED <i>D. J. Bunnell</i>	SECTION
DATE 10 Jun 77	DATE 2-9-77	
ENG <i>J. G. J.</i>	PROD <i>D. J. Bunnell</i>	ISSUED SECTION
DATE 6/7/77	DATE 8-7-77	

QUANTITY/VARIATION

NOTES:

ITEM NO.	DRAWING NO.	PART NO.	DESCRIPTION	5411850-0-0	QUANTITY/VARIATION										REF DESIGNATION	
29		1314763-00	RESISTOR, 4.12K, 1/4 W 1% MF	1												R36
30		1303312-00	RESISTOR, 10.0K, 1/4 W 1% MF	3												R28, R29, R62
31		1312924-00	RESISTOR, 10.7K, 1/4 W 1% MF	1												R32
32		1309412-00	RESISTOR, 18.2K, 1/4 W 1% MF	2												R33, R40
33		1311594-00	RESISTOR, 30.1K, 1/4 W 1% MF	1												R54
34		1313843-00	RESISTOR, 107K, 1/4 W 1% MF	1												R27
35		1313844-00	RESISTOR, 221K, 1/4 W 1% MF	1												R38
36		1302378-00	RESISTOR, 51 OHM, 1/2 W 5% CC	1												R51
37		1300364-00	RESISTOR, 1K, 1/2 W 5% CC	2												R18, R48
38		1314068-00	RESISTOR, 360 OHM, 1 W 5% CC	1												R4
39		1300368-00	RESISTOR, 1K, 1 W 5% CC	1												R8
40		1301494-00	RESISTOR, 200 OHM, 2 W 5% CC	1												R50
41		1313358-00	RESISTOR, .2 OHM, 5 W 3% CC	2												R2, R52
42		1105796-00	DIODE, 1N4004, (D041)	3												D1, D2, D5
43		1113953-00	DIODE, 1N5523D, (D07)	6												D4, D6, D8, D9, D18, D16
44		1109990-00	DIODE, 1N757A, (D07)	2												D23, D24
45		1110994-00	DIODE, 1N751A, (D07)	3												D14, D21, D22
46		1114117-00	DIODE, 1N4152, (D035)	6												D3, D7, D10, D11, D12, D13
47		1111577-00	DIODE, 1N4454, (D035)	5												D15, D17, D20, D25, D26
48		1513698-00	TRIAC, SC146B	1												D19
49		9009597-00	INSULATING WASHER, TRIAC	1												(D19)
50		1513489-00	TRANSISTOR, 2N4401, (T092)	4												Q2, Q4, Q8, Q9
51		1513490-00	TRANSISTOR, 2N4403, (T092)	5												Q1, Q3, Q5, Q6, Q7
52		1511282-00	TRANSISTOR, MJ2500, (T03)	2												E1, E8
53		1511349-00	TRANSISTOR, MJ3000, (T03)	1												E5
54		1911706-00	FET ANALOG SWITCH, IH5012, (16 PIN)	1												E6
55		1912818-00	IC, DEC, 74LS38, (14 PIN)	1												E4
56		1912107-01	OP AMP, LM324 AN (14 PIN)	1												E7

E.C.O. NO.

THIS DRAWING AND SPECIFICATIONS, HEREIN, ARE THE PROPERTY OF DIGITAL EQUIPMENT CORPORATION AND SHALL NOT BE REPRODUCED OR COPIED OR USED IN WHOLE OR IN PART AS THE BASIS FOR THE MANUFACTURE OR SALE OF ITEMS WITHOUT WRITTEN PERMISSION. COPYRIGHT © 1977 DIGITAL EQUIPMENT CORPORATION

TITLE
DC SERVO AND POWER BOARD

ASSY NO.
D-UA-5411850-0-0

SIZE CODE NUMBER
B PL 5411850-0-0

REV.
C

SHEET 2 OF 3

INSERTION PARTS LIST DATA BASE FF.

DIGITAL EQUIPMENT CORPORATION

PARTS LIST

QUANTITY / VARIATION

NOTES:

MADE BY SCOTT STEVENS	CHECKED <i>C. Y. Burns Co</i>	SECTION
DATE 10 Jun 76	DATE 2-9-77	
ENG <i>J. D. ...</i>	PROD	ISSUED SECTION
DATE 6/7/77	DATE <i>D. K. ... 6-7-77</i>	

ITEM NO.	DRAWING NO.	PART NO.	DESCRIPTION	5411850-0-0	REF DESIGNATION
57		1913695-00	IC, MC7808CK, (T03)	1	E2
58		1913694-00	IC, MC7908CK, (T03)	1	E3
59		9008419-00	INSULATING WASHER, T03	5	(E1, E2, E3, E5, E8)
60		7418595-00	HEATSINK	1	
61			"		
62		9008033-01	SCREW, PAN. HD. #4-40, 9/16"	11	(E1, E2, E3, E5, E8, D19)
63		9006557-00	KEPNUT, #4-40	11	(E1, E2, E3, E5, E8, D19)
64		9006655-00	FLAT WASHER, #4	11	(E1, E2, E3, E5, E8, D19)
65		9008268-00	THERMAL COMPOUND	AR	(E1, E2, E3, E5, E8, D19)
66		1210824-00	SWITCH, THERMAL	1	S1
67		9008185-00	KEPNUT, #6-32	1	(S1)
68		9006653-00	FLAT WASHER, #6	1	(S1)
69		1205747-00	FUSE, PICO, 5 AMP	1	F1
70		9006735-00	SPLIT LUG	6	(F1, R40, R62)
71		9007791-00	TERMINAL TURRET, SOLDER	12	TP0 THRU TP11
72		1213922-01	CONNECTOR, AMP, 3 PIN, BLK/TIN	1	J1
73		1213922-04	CONNECTOR, AMP, 6 PIN, BLK/TIN	1	J2
74		1213900-00	CONNECTOR, BURNDY, 6 PIN, BLK/GOLD	1	J3
75		1209941-06	CONNECTOR, BERG, 20 PIN	1	J4
76		1209941-03	LATCH, RIGHT	1	(J4)
77		1209941-04	LATCH, LEFT	1	(J4)
78		1305324-00	RESISTOR, 4.99K, 1/4 W 1% mF	2	R37, R30
79		1300250-00	RESISTOR, 150 OHM, 1/4 W 5% CC	1	R42
80		9105740-55	WIRE 30 AWG	AR	

E.C.O. NO.

THIS DRAWING AND SPECIFICATIONS, HEREIN, ARE THE PROPERTY OF DIGITAL EQUIPMENT CORPORATION AND SHALL NOT BE REPRODUCED OR COPIED OR USED IN WHOLE OR IN PART AS THE BASIS FOR THE MANUFACTURE OR SALE OF ITEMS WITHOUT WRITTEN PERMISSION. COPYRIGHT ©1977 DIGITAL EQUIPMENT CORPORATION

TITLE
DC SERVO AND POWER BOARD

ASSY NO.
D-UA-5411850-0-0

SIZE	CODE	NUMBER	REV.
B	PL	5411850-0-0	C

EN 01140A-16 R 77613751

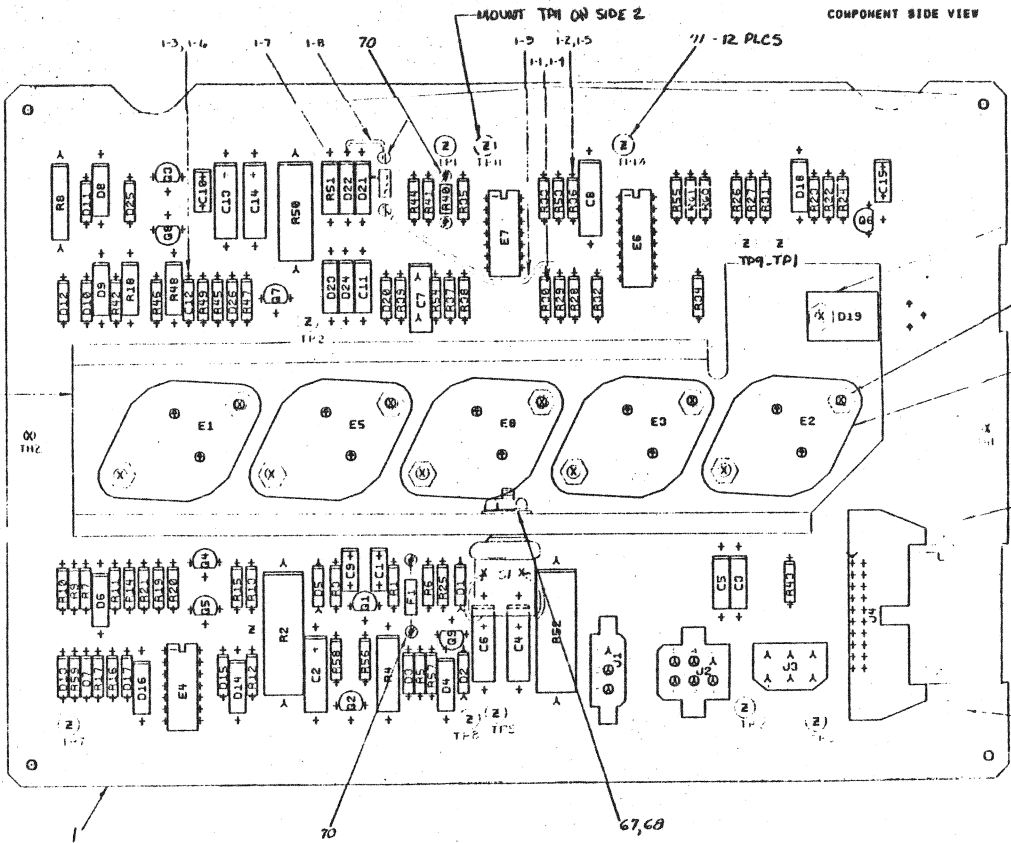
DRB 125

SHEET 3 OF 3

INSERTION PARTS LIST DATA BASE REV

THIS DRAWING AND ALL INFORMATION CONTAINED HEREIN ARE THE PROPERTY OF THE UNITED STATES GOVERNMENT AND ARE TO BE REPRODUCED AND TRANSMITTED IN ANY FORM AND BY ANY MEANS, ELECTRONIC OR MECHANICAL, INCLUDING PHOTOCOPYING, RECORDING, OR BY ANY INFORMATION STORAGE AND RETRIEVAL SYSTEM, WITHOUT PERMISSION IN WRITING FROM THE UNITED STATES GOVERNMENT.

D
C
B
A



48
63
39
X40

NOTES:

CHK CHANGE NO	REL
1	1
2	1
3	1
4	1
5	1
6	1
7	1
8	1
9	1
10	1
11	1
12	1
13	1
14	1
15	1
16	1
17	1
18	1
19	1
20	1
21	1
22	1
23	1
24	1
25	1
26	1
27	1
28	1
29	1
30	1
31	1
32	1
33	1
34	1
35	1
36	1
37	1
38	1
39	1
40	1
41	1
42	1
43	1
44	1
45	1
46	1
47	1
48	1
49	1
50	1
51	1
52	1
53	1
54	1
55	1
56	1
57	1
58	1
59	1
60	1
61	1
62	1
63	1
64	1
65	1
66	1
67	1
68	1
69	1
70	1
71	1
72	1
73	1
74	1
75	1
76	1
77	1
78	1
79	1
80	1
81	1
82	1
83	1
84	1
85	1
86	1
87	1
88	1
89	1
90	1
91	1
92	1
93	1
94	1
95	1
96	1
97	1
98	1
99	1
100	1

ETCH REV.	
PLC DESIGN (DATA SHEET) REV.	

SIGNATURES	DATE	digital	TITLE DC SERVO AND POWER BOARD
DRN. <i>[Signature]</i>	3-21-72		
CHK'D. <i>[Signature]</i>	3-24-72		
ENG. <i>[Signature]</i>	3-27-72		
PROJ. ENG. <i>[Signature]</i>	3-27-72		
SCALE 2/10			
SHT. 1 OF 4			
NEXT HIGHER ASSY. R-00-511850-0			

SIZE CODE NUMBER REV
0 UA-411850-0-2

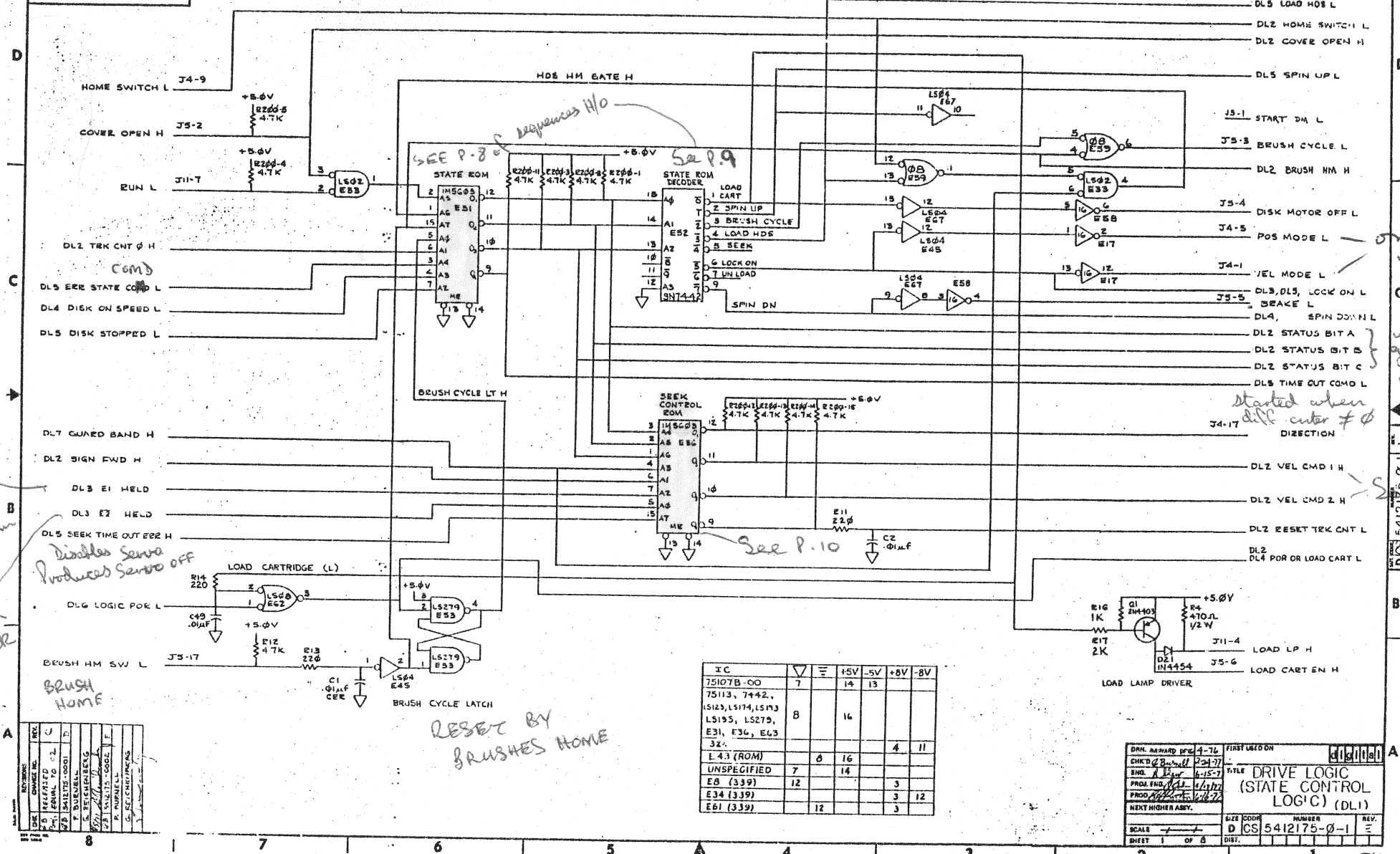
1 MS#

29

8 7 6 5 4 3 2 1

8 7 6 5 4 3 2 1 MS#

THE DRAWING AND SPECIFICATIONS HEREIN ARE THE PROPERTY OF DIGITAL EQUIPMENT CORPORATION AND SHALL NOT BE REPRODUCED OR COPIED OR USED IN WHOLE OR IN PART AS THE BASIS FOR THE MANUFACTURE OR SALE OF ANY EQUIPMENT WITHOUT WRITTEN PERMISSION OF DIGITAL EQUIPMENT CORPORATION.



IC	7	8	16	14	13	4	11
75107B-00	7						
75113, 7442,							
LS123, LS174, LS193							
LS193, LS279,							
E31, E36, E43						4	11
32:							
E43 (ROM)		8	16				
UNSPECIFIED	7		14				
E8 (339)						3	
E34 (339)						3	12
E61 (339)						3	

DRN. NUMBER	4-76	FIRST USED ON	
CHKD BY	Barrett 2-24-77	TITLE	DRIVE LOGIC (STATE CONTROL LOGIC) (DL1)
ENG. BY	Barrett 6-15-77	SCALE	D CS 5412175-0-1
PROG. ENG.	6-15-77	REV.	3
PROG. BY	6-15-77	SHEET	1 OF 8
NEXT HIGHER ASSY.			

one or other mode
used under gel status operation to give state of Rom.
started when diff. cuts #0
See table on P. 31

As high word end of in direction for lock

Disables Servo Produces Servo OFF

BRUSH HOME

RESET BY BRUSHES HOME

REV.	DATE	BY	CHKD BY
1			
2			
3			
4			
5			
6			
7			
8			

THIS DRAWING AND INFORMATION THEREON ARE THE PROPERTY OF IBM CORPORATION. IT IS TO BE KEPT IN CONFIDENCE AND IS NOT TO BE REPRODUCED OR TRANSMITTED IN ANY FORM OR BY ANY MEANS, ELECTRONIC OR MECHANICAL, INCLUDING PHOTOCOPYING, RECORDING, OR BY ANY INFORMATION STORAGE AND RETRIEVAL SYSTEM.

CMD 2	CMD 1	MODE	VEL
0	0	OFF	0
0	1	GUARD BAND	3 IPS
1	0	HEAD LOAD	6 IPS
1	1	HEAD UNLOAD	15 IPS

Serial I/P from I/F

Info loaded serially

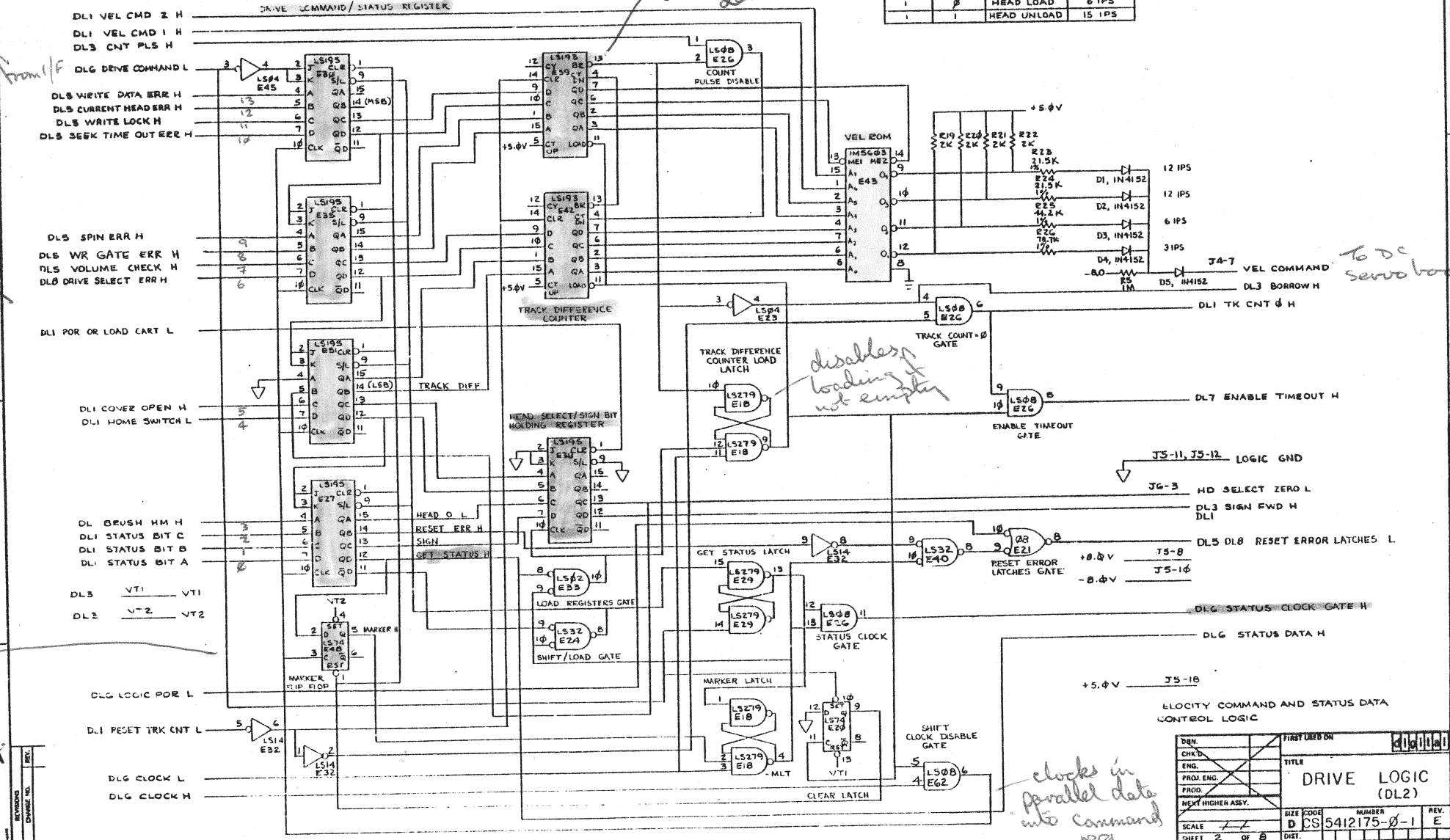
Set when register loaded

Low when underflow detected

disables loading of not empty

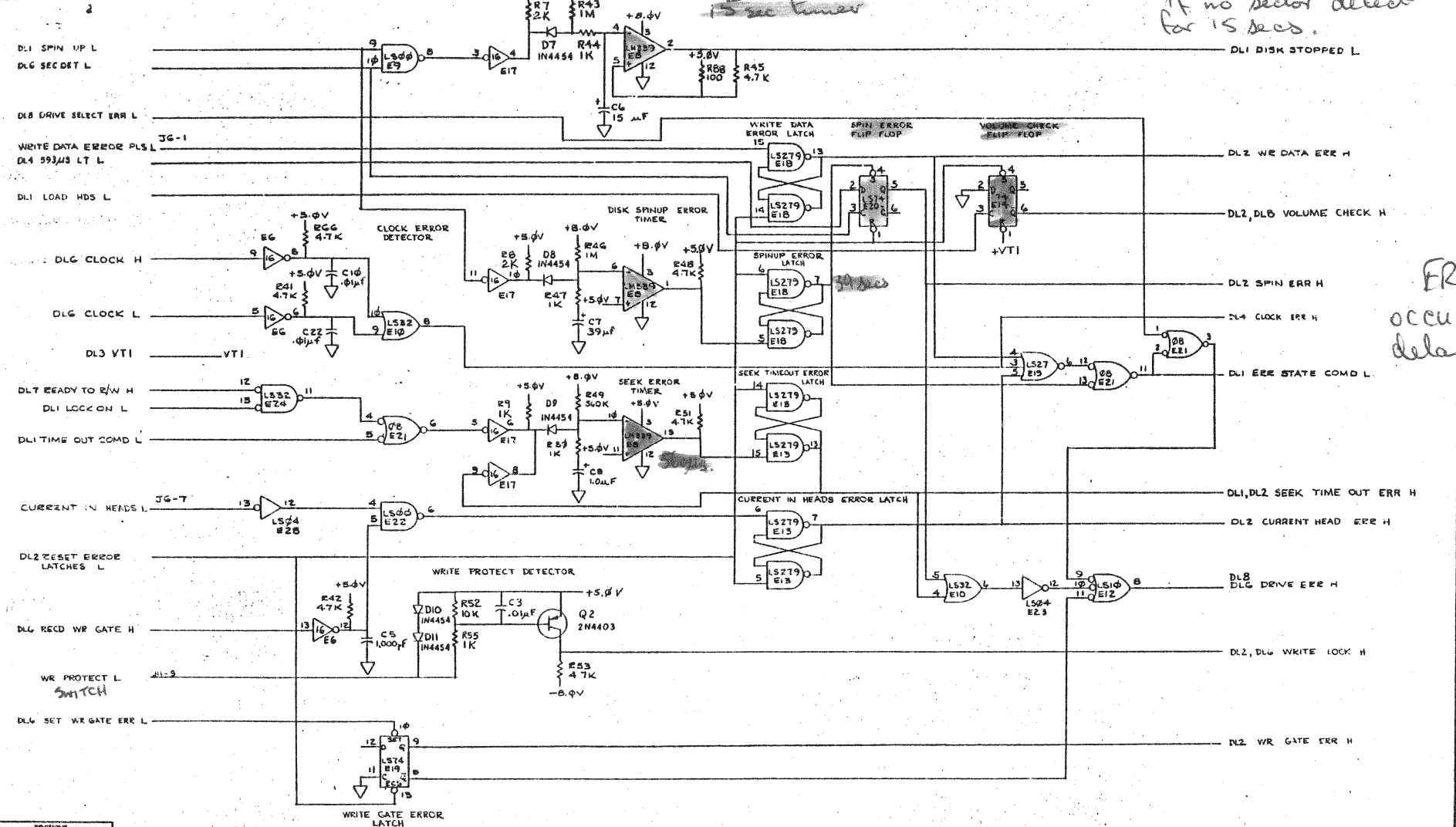
clocks in parallel data into command reg

To DC servo board.



DESIGN	CHKD	ENG.	PROJ. ENG.	PROD. ENG.	NEXT HIGHER ASSY.	SCALE	SHEET	2	OF	8	DIST.
FIRST USED ON						TITLE					
						DRIVE LOGIC (DL2)					
SIZE				CODE		NUMBER		REV.			
D				CS		5412175-0-1		E			

THIS DRAWING AND SPECIFICATIONS, HEREIN, ARE THE PROPERTY OF DIGITAL EQUIPMENT CORPORATION, AND SHALL NOT BE REPRODUCED OR COPIED IN WHOLE OR IN PART AS THE BASIS FOR THE MANUFACTURE OR SALE OF ANY PRODUCT WITHOUT WRITTEN PERMISSION FROM D.E.C. DIGITAL EQUIPMENT CORPORATION



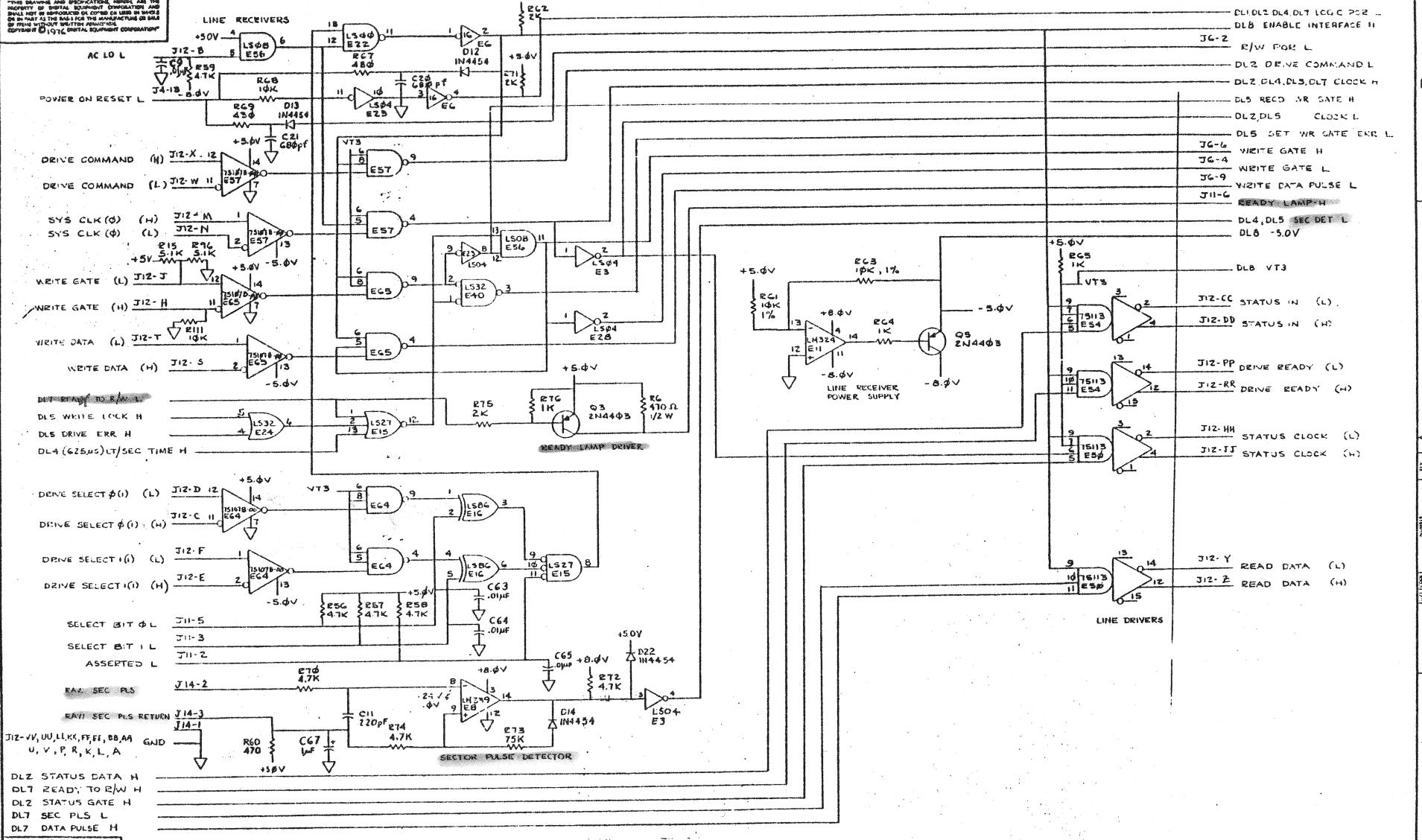
If no sector detect for 15 secs.

ERRORS occur after delays.

REV.	CHG.	NO.	REV.

TITLE	DRIVE LOGIC (ERROR LOGIC) (DL5)	SHEET	5	OF	5
SCALE		DIST.			
REV.	E	NUMBER	DCS 5412175-0-1		

THE DRAWING AND SPECIFICATIONS HEREIN ARE THE PROPERTY OF DIGITAL EQUIPMENT CORPORATION AND SHALL NOT BE REPRODUCED OR COPIED IN WHOLE OR IN PART AS THE BASIS FOR THE MANUFACTURE OR SALE OF PRODUCTS WITHOUT WRITTEN PERMISSION OF DIGITAL EQUIPMENT CORPORATION © 1974 DIGITAL EQUIPMENT CORPORATION

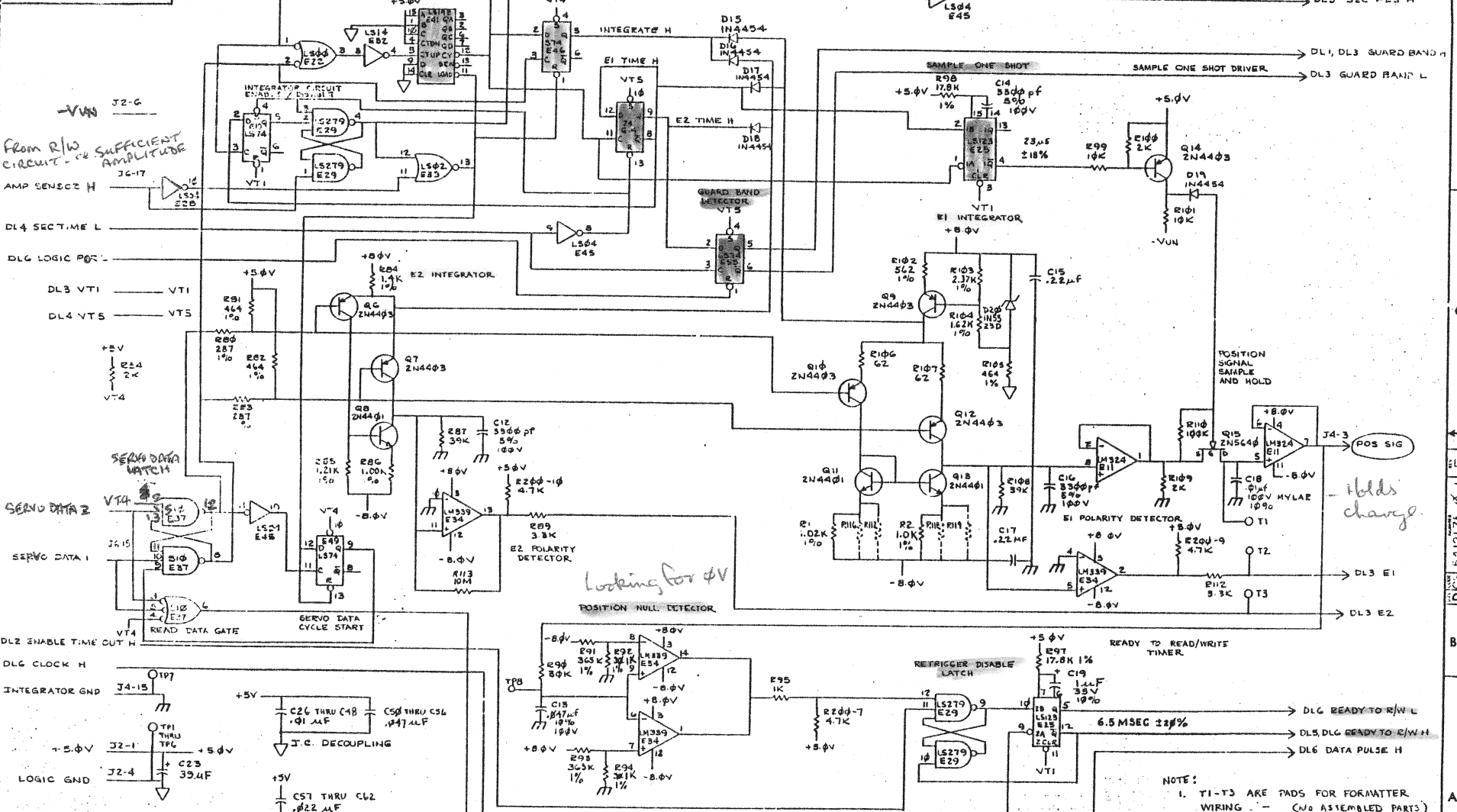


REVISIONS		
CHK	CHANGE NO	REV.

TITLE	DRIVE LOGIC (DL6) INTERFACE LOGIC	SHEET	6 OF 8	DIST.		NUMER	DCS 5412175-0-1	REV.	E
-------	--------------------------------------	-------	--------	-------	--	-------	-----------------	------	---

*differential drivers
& receivers*

THE PARTS AND SPECIFICATIONS HEREIN ARE THE PROPERTY OF DIGITAL EQUIPMENT CORPORATION AND SHALL NOT BE REPRODUCED OR COPIED IN WHOLE OR IN PART AS THE BASIS FOR THE MANUFACTURE OR SALE OF ITEMS WITHOUT WRITTEN PERMISSION.



From R/W SUFFICIENT AMP SENSE H
 J2-6
 J2-17

Produced n Xover Signals

Looking for 4V POSITION NULL DETECTOR

Holds charge

REV.	CHG.	NO.	REV.

TITLE DRIVE LOGIC (DL7) (INTEGRATOR LOGIC) NUMBER DCS 5412175-0-1 E

DIGITAL EQUIPMENT CORPORATION

PARTS LIST

QUANTITY / VARIATION

NOTES:

MADE BY R. HILL
 DATE 7 April 76
 ENG
 DATE

CHECKED *Barnell*
 DATE 3-24-77
 PROD
 DATE

SECTION
 ISSUED SECTION

5412175-0-0

1. R116, R117, R118 and R119 are not on PL- value determined in testing.

ITEM NO.	DRAWING NO.	PART NO.	DESCRIPTION	QUANTITY	REF DESIGNATION
1	D-MD-5011851-0-0	5011851	ETCHED BOARD	1	
2		1012784-00	CAPACITOR .047 uF 50V CER AX	7	C50,C51,C52,C53,C54,C55,C56
3		1001610-00	CAPACITOR .01 uF 50V CER AX	34	C1,C2,C3,C4,C9,C10,C22,C26 thru C49,C63,C64,C65
4		1000076-00	CAPACITOR 39 uF 10% 10V TANT	2	C7,C23
5		1012783-00	CAPACITOR .022 uF 50V CER AX	6	C57,C58,C59,C60,C61,C62
6		1010978-32	CAPACITOR .047 uF 10% 100V CER MONO	1	C13
7		1004812-00	CAPACITOR 15 uF 10% 20V TANT	1	C6
8					
9		1005784-00	CAPACITOR .01 uF 10% 100V MYLAR	1	C18
10		1001776-00	CAPACITOR 1.0 uF 10% 35V TANT	5	C19,C24,C25,C67, C8
11		1013466-11	CAPACITOR .22 uF 50V CER AX	2	C15,C17
12		1013466-09	CAPACITOR 1,000 PF 10% 50V CER AX	1	C5
13		1013466-07	CAPACITOR 220 PF 5% 50V CER AX	1	C11
14		1013466-10	CAPACITOR 3,300 PF 5% 50V CER AX	4	C12,C14,C16,C66
15		1013466-08	CAPACITOR 680 PF 10% 50V CER AX	2	C20,C21
16		1113953-00	DIODE 1N523D	1	D20
17		1111577-00	DIODE 1N4454	16	D6 thru D19,D21,D22
18		1209941-03	LATCH, CONNECTOR, LEFT	4	(J4,J5,J6,J11)
19		1209941-04	LATCH, CONNECTOR, RIGHT	4	(J4,J5,J6,J11)
20		1209941-05	CONNECTOR BERG 10 PIN	1	J11
21		1209941-06	CONNECTOR BERG 20 PIN	3	J4,J5,J6
22		1209941-02	CONNECTOR BERG 40 PIN	1	J12
23		1213922-02	CONNECTOR MR 3 PIN HEADER	1	J14
24		1213922-04	CONNECTOR MR 6 PIN HEADER	1	J2
25		1300005-07	RESISTOR NETWORK 16 PIN 4.7K	1	R200
26		1300229-00	RESISTOR 100 OHM 1/4W 5%	1	R88
27		1300271-00	RESISTOR 220 OHM 1/4W 5%	4	R11,R13,R14,R40
28		1300316-00	RESISTOR 470 OHM 1/4W 5%	1	R60

ECO. NO. RELEASED 15 JUN 77 EQUAL TO REV. 1
 MOOD ID
 P. BARNELL
 REICHERBERG
 MOOD ID
 P. BARNELL
 REICHERBERG

THIS DRAWING AND SPECIFICATIONS, HEREIN, ARE THE PROPERTY OF DIGITAL EQUIPMENT CORPORATION AND SHALL NOT BE REPRODUCED OR COPIED OR USED IN WHOLE OR IN PART AS THE BASIS FOR THE MANUFACTURE OR SALE OF ITEMS WITHOUT WRITTEN PERMISSION. COPYRIGHT © 1977 DIGITAL EQUIPMENT CORPORATION

TITLE
 DRIVE LOGIC

ASSY NO.
 D-UA-5412175-0-0
 SHEET 1 OF 4

SIZE CODE
 B PL
 NUMBER
 5412175-0-0
 INSERTION PARTS LIST DATA BASE REV

REV.
 1

DIGITAL EQUIPMENT CORPORATION				QUANTITY / VARIATION										NOTES:	
MADE BY R. HILL		CHECKED <i>Bunnell</i>		SECTION											
DATE 7 April 76		DATE 2-24-77		ISSUED SECTION											
ENG		PROD													
DATE		DATE													
ITEM NO.	DRAWING NO.	PART NO.	DESCRIPTION	5412175-0-0											REF DESIGNATION
29		1300365-00	RESISTOR 1K 1/4W 5%	14											R9, R10, R16, R18, R44, R47, R50, R55, R64, R65, R76, R78, R79, R95
30		1300439-00	RESISTOR 3.3K 1/4W 5%	3											R89, R112, R114
31		1314091-00	RESISTOR 10K 1/4W 5%	5											R52, R68, R99, R101, R111
32		1302676-00	RESISTOR 3.0 K 1/4W 1%	1											R37
33		1311594-00	RESISTOR 30.1K 1/4W 1%	2											R92, R94
34		1304841-00	RESISTOR 75K 1/4W 5%	1											R73
35		1302388-00	RESISTOR 2K 1/4W 5%	14											R7, R8, R17, R19, R20, R21, R22, R54, R62, R71, R75, R90, R77, R100, R109
36		1302394-00	RESISTOR 30K 1/4W 5%	1											R110
37		1302466-00	RESISTOR 100K 1/4W 5%	2											R87, R108
38		1302514-00	RESISTOR 39K 1/4W 5%	2											R97, R98
39		1312989-00	RESISTOR 17.6K 1/4W 1%	2											R81, R82, R105
40		1303047-00	RESISTOR 464 OHM 1/4W 1%	3											R103
41		1310632-00	RESISTOR 2.37K 1/4W 1%	1											R30, R33, R34, R38, R61, R63
42		1303312-00	RESISTOR 10.0K 1/4W 1%	6											R102
43		1304693-00	RESISTOR 562 OHM 1/4W 1%	1											R80, R83
44		1305124-00	RESISTOR 287 OHM 1/4W 1%	2											R5, R43, R46,
45		1309595-00	RESISTOR 1M 1/4W 5%	3											R23, R24
46		1303155-00	RESISTOR 21.5K 1/4W 1%	2											R85
47		1302871-00	RESISTOR 1.21 K 1/4W 1%	1											R1,
48		1314491-00	RESISTOR 1.02 K 1/4W 1%	1											R106, R107
49		1312929-00	RESISTOR 62 OHM 1/4W 5%	2											R15, R96
50		1312930-00	RESISTOR 5.1K 1/4W 5%	2											R32
51		1304870-00	RESISTOR 6.81K 1/4W 1%	1											R91, R93
52		1305266-00	RESISTOR 365K 1/4W 1%	2											R67, R69
53		1313150-00	RESISTOR 430 OHM 1/4W 5%	2											R104
54		1304862-00	RESISTOR 1.62K 1/4W 1%	1											R25
55		1314119-00	RESISTOR 44.2K 1/4W 1%	1											R31
56		1313846-00	RESISTOR 2.26K 1/4W 1%	1											

THIS DRAWING AND SPECIFICATIONS, HEREIN, ARE THE PROPERTY OF DIGITAL EQUIPMENT CORPORATION AND SHALL NOT BE REPRODUCED OR COPIED OR USED IN WHOLE OR IN PART AS THE BASIS FOR THE MANUFACTURE OR SALE OF ITEMS WITHOUT WRITTEN PERMISSION. COPYRIGHT © 1977 DIGITAL EQUIPMENT CORPORATION

E.C.C. NO. _____

TITLE: DRIVE LOGIC

ASSY NO. D-UA-5412175-0-0

SIZE: B PL

NUMBER: 5412175-0-0

REV. _____

SHEET 2 OF 4

INSERTION PARTS LIST DATA BASE REV

EN 01140A-16-9276(325) DRB 125

DIGITAL EQUIPMENT CORPORATION

PARTS LIST

QUANTITY / VARIATION

NOTES:

MADE BY R. HILL
 DATE 7 April 76
 ENG
 DATE

CHECKED *Burnell*
 DATE 2-24-77
 PHOD
 DATE

SECTION
 ISSUED SECTION

5412175-0-0

ITEM NO.	DRAWING NO.	PART NO.	DESCRIPTION	QUANTITY	VARIATION	REF DESIGNATION
57		1314120-00	RESISTOR 78.7K 1/4W 1%	1		R26
58		1300447-00	RESISTOR 4.7K 1/4W 5%	22		R12, R27, R28, R29, R35, R36, R39, R41, R42, R45, R48, R51, R53 R56, R57, R58, R59, R66, R70, R72, R74, R115
59		1302666-00	RESISTOR 10M 1/4W 5%	1		R113
60		1313589-00	RESISTOR 1.40 K 1/4W 1%	1		R84
61		1300315-00	RESISTOR 470 OHM 1/2W 5%	3		R3, R4, R6
62		1513489-00	TRANSISTOR 2N4401	3		Q8, Q11, Q13
63		1513490-00	TRANSISTOR 2N4403	11		Q1, Q2, Q3, Q4, Q5, Q6, Q7, Q9, Q10, Q12, Q14
64		1513697-00	TRANSISTOR 2N5640	1		Q15
65		1913414-00	IC DEC LS14	1		E32
66		1910155-00	IC DEC 7408	2		E59, E21
67		1909928-00	IC DEC 7416	3		E6, E17, E58
68		1910268-00	IC DEC 75107B-00	4		E47, E57, E64, E65
69		1910536-00	IC DEC 74610	1		E37
70		1910544-00	IC DEC 74S74	1		E46
71		1911341-00	IC DEC 75113	3		E44, E50, E54
72		1912107-01	IC DEC LM324 AN	1		E11
73		1912108-00	IC DEC 339	3		E8, E34, E61
74		1912799-00	IC DEC LS00	2		E9, E22
75		1912801-00	IC DEC LS02	1		E33
76		1912803-00	IC DEC LS04	5		E3, E23, E28, E45, F67 E26, E5F, E62
77		1912805-00	IC DEC LS08	3		E12
78		1912807-00	IC DEC LS10	1		E15
79		1912813-00	IC DEC LS27	1		E10, E24, E40
80		1912816-00	IC DEC LS32	3		E52
81		1910046-00	IC DEC 7442	1		E14
82		1905547-00	IC DEC 7474	1		E4, E19, E20, E48, E49, E55
83		1912824-00	IC DEC LS74	6		
84		1912829-00	IC DEC LS86	1		E16

E.C.O. NO.

THIS DRAWING AND SPECIFICATIONS, HEREIN, ARE THE PROPERTY OF DIGITAL EQUIPMENT CORPORATION AND SHALL NOT BE REPRODUCED OR COPIED OR USED IN WHOLE OR IN PART AS THE BASIS FOR THE MANUFACTURE OR SALE OF ITEMS WITHOUT WRITTEN PERMISSION. COPYRIGHT © 1977, DIGITAL EQUIPMENT CORPORATION.

TITLE
 DRIVE LOGIC

ASSY NO.
 D-UA-5412175-0-0

SIZE CODE NUMBER
 B PL 5412175-0-0

REV.
 E

SHEET 3 OF 4

INSERTION PARTS LIST DATA BASE REV

DIGITAL EQUIPMENT CORPORATION

PARTS LIST

QUANTITY / VARIATION

NOTES:

MADE BY R. HILL
 DATE 7 April 76
 ENG
 DATE

CHECKED *Bunnell*
 DATE 2-14-77
 PROD
 DATE

SECTION
 ISSUED SECTION

5412175-0-0

ITEM NO.	DRAWING NO.	PART NO.	DESCRIPTION	QUANTITY	VARIATION	REF DESIGNATION
85		1912837-00	IC DEC LS123	1		E25
86		1912854-00	IC DEC LS193	3		E39, E41, E42
87		1912855-00	IC DEC LS195	5		E27, E30, E35, E38, E51
88		1912857-00	IC DEC LS197	4		E1, E2, E5, E66
89		1912864-00	IC DEC LS279	5		E7, E13, E18, E29, E53
90		23445A2-00	ROM IM5603A (VELOCITY)	1		E43
91		23371A2-00	ROM IM5603A (SEEK)	1		E36
92		23368A2-00	ROM IM5603A (STATE)	1		E31
93		23444A2-00	ROM IM5603A (COUNT)	1		E60
94		121.813-00	SOCKET, (ROM) 16 PIN	4		(E31, E36, E43, E60)
95		9007791-00	TERMINAL, TURRET	13		TP1 thru TP13
96		1114117-00	DIODE 1N4152 (D035)	5		D1, D2, D3, D4, D5
97		1303114-00	RE. ISTORE, 1.00 K 1/4W 1% mF	2		R2, R86
98		9105740-55	WIRE, 30 AWG	AR		
99		1912697-00	IC DEC LS174	1		E63
100		1312992-00	RESISTOR, 560K, 1/4W, 5%, CC	1		R49

ECO. NO.

THIS DRAWING AND SPECIFICATIONS, HEREIN, ARE THE PROPERTY OF DIGITAL EQUIPMENT CORPORATION AND SHALL NOT BE REPRODUCED OR COPIED OR USED IN WHOLE OR IN PART AS THE BASIS FOR THE MANUFACTURE OR SALE OF ITEMS WITHOUT WRITTEN PERMISSION. COPYRIGHT © 1977 DIGITAL EQUIPMENT CORPORATION

TITLE
 DRIVE LOGIC

ASSY NO.
 D-UA-5412175-0-0

SIZE B
 CODE PL

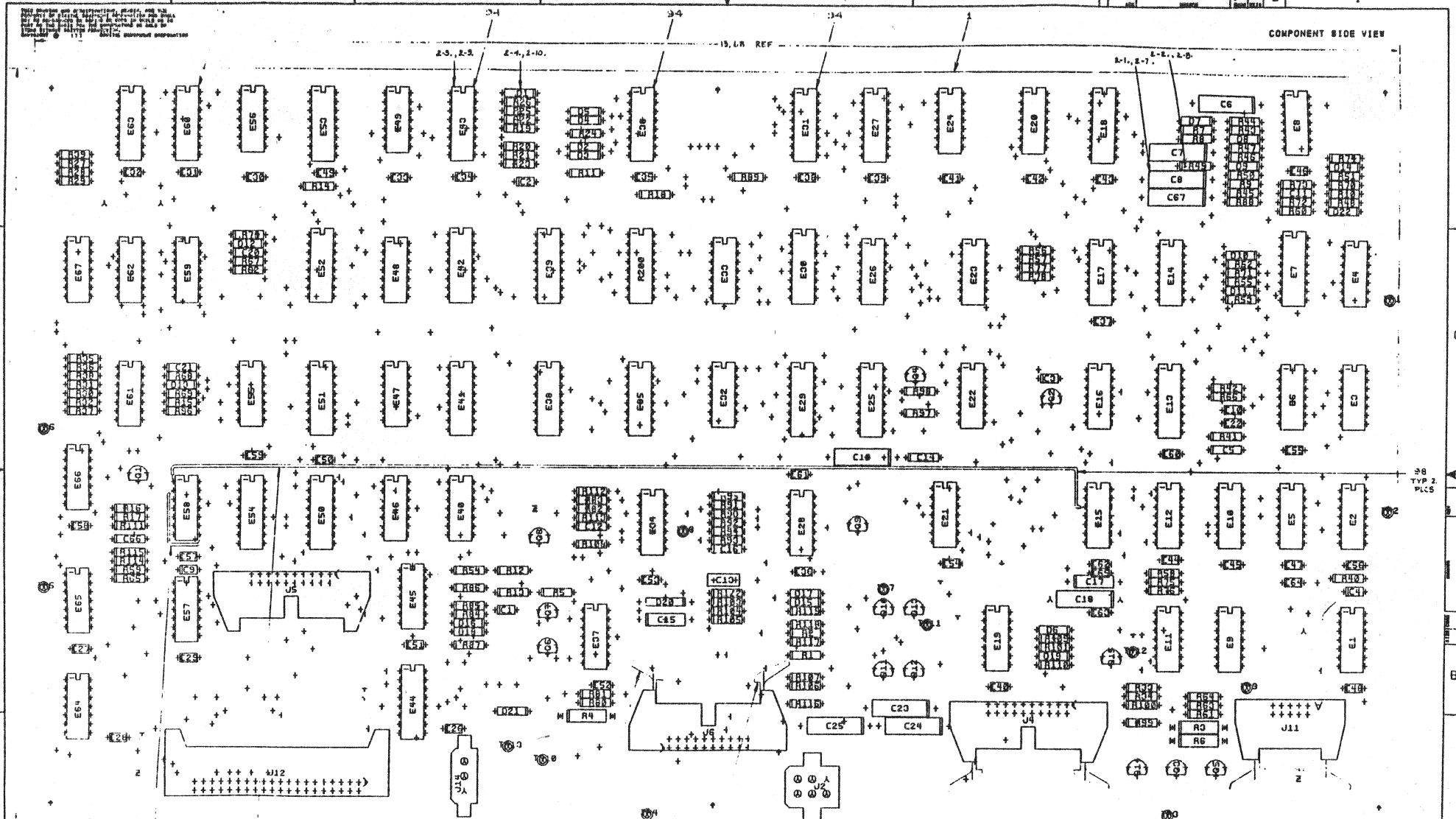
NUMBER
 5412175-0-0

REV.
 E

SHEET 4 OF 4

INSERTION PARTS LIST DATA BASE REV

COMPONENT SIDE VIEW



NOTES:
 1. B HOLES .0415 (1.000-.0015) MAYNARD ONLY

CHK	CHANGE NO	REV

ETCH REV. D-FI
P.C. DESIGN DATA BASE REV. L

SIGNATURES		DATE
DRW. <i>[Signature]</i>		
CHK. D. <i>[Signature]</i>		
ENG. <i>[Signature]</i>		
PROJ. ENG. <i>[Signature]</i>		
PROD. <i>[Signature]</i>		
SCALE 1:1		
SHT. 1 OF 4		
NEXT HIGHER ASSY. B-DD-541215		

digital		
TITLE		
REV		
SIZE	CODE	NUMBER
D	UA	4
REV		

