

ILLUSTRATED PARTS BREAKDOWN

KC8A CONSOLE

HOW TO USE THE IPB

GENERAL

This IPB is compiled following the organization and nomenclature of the engineering drawing structure.

MAJOR ASSEMBLY LOCATOR

The Major Assembly Locator (first illustration) is an index that provides a description and a figure reference for all illustrations used in this manual.

INDENTED PARTS LIST

This manual identifies each assembly being broken down (figure reference callout), and all parts of that assembly. Further breakdown of an assembly is shown by an asterisk (*) preceding the item callouts in the Description Column. The number of asterisks preceding an item is used to denote the subordination of that item with respect to the Major Assembly. A single asterisk preceding an item description indicates that the item is part of the major assembly being illustrated. Items that are subordinate to single asterisks items, are denoted by two asterisks (**) and immediately follow the related single asterisk item. Additional asterisks are used, as required, to denote further subordination. This system of part identification, provides a means for the user to identify the next higher assembly item and make alternate selections for parts when the required replacement part or assembly is not immediately available.

COLUMN CALLOUT DESCRIPTION

Figure & Item — Indicates the figure number and item number of each part.

Description — Lists the name of the part and pertinent specifications (when required). Asterisks preceding the description denote the subordination of the part to the next higher assembly.

DEC Part No. — Lists the DEC part ordering number. A blank in this column indicates a DEC part number was not assigned at the time of publication.

ECO Cut-In — The notation at the top of this column indicates the ECO level of the system (option), at which the IPB was initially prepared. Subsequent ECO level designations, that modify existing parts or add new parts to the device, are inserted in the ECO Cut-In column next to the part that is added or modified. A bracket ([]) preceding the item description is used to indicate the parts affected by ECO's.

Vendor Code/Part No. — Indicates vendor parts that are not stocked by DEC. Refer to the Field Service Spares Catalog (vendor part number to DEC part number) for the vendor code cross-reference.

Used On Code — Letters in this column correspond to the variation codes assigned in Figure 1. Parts with an Alpha notation(s) are used only in those option variations. A blank indicates that the part is used on all option variations.

Ref Fig No. — A cross reference between illustrations. For each Major Assembly, the number in this column denotes the figure of the next higher assembly. For all subassemblies, the number in this column denotes the figure showing additional detailed breakdown.

SYMBOL USAGE

Hardware Designators — Alpha designators for screws (S), washers (W), nuts (N), and retaining rings (R) are inserted after the item number callouts on the illustration when stacked item numbers are used.

Attaching Hardware — The @ symbol is inserted before any part that is used as attaching hardware. Attaching hardware is denoted as those parts that are not an integral part of the referenced assembly.

(NFR) Not Field Repairable — The (NFR) symbol is inserted after any assembly that is not to be field dismantled.

Other Symbols — Any other symbols that are required for kits, accessories, etc., will be explained and appear as part of the item description.

REVISION HISTORY

PRINTING	ECO LEVEL	DATE	PAGES AFFECTED
1st Printing	KC8A 00003-00003 70-10644 00000-00000 54-11241 00002-00002 54-11316 00002-00002	4-23-76	N/A

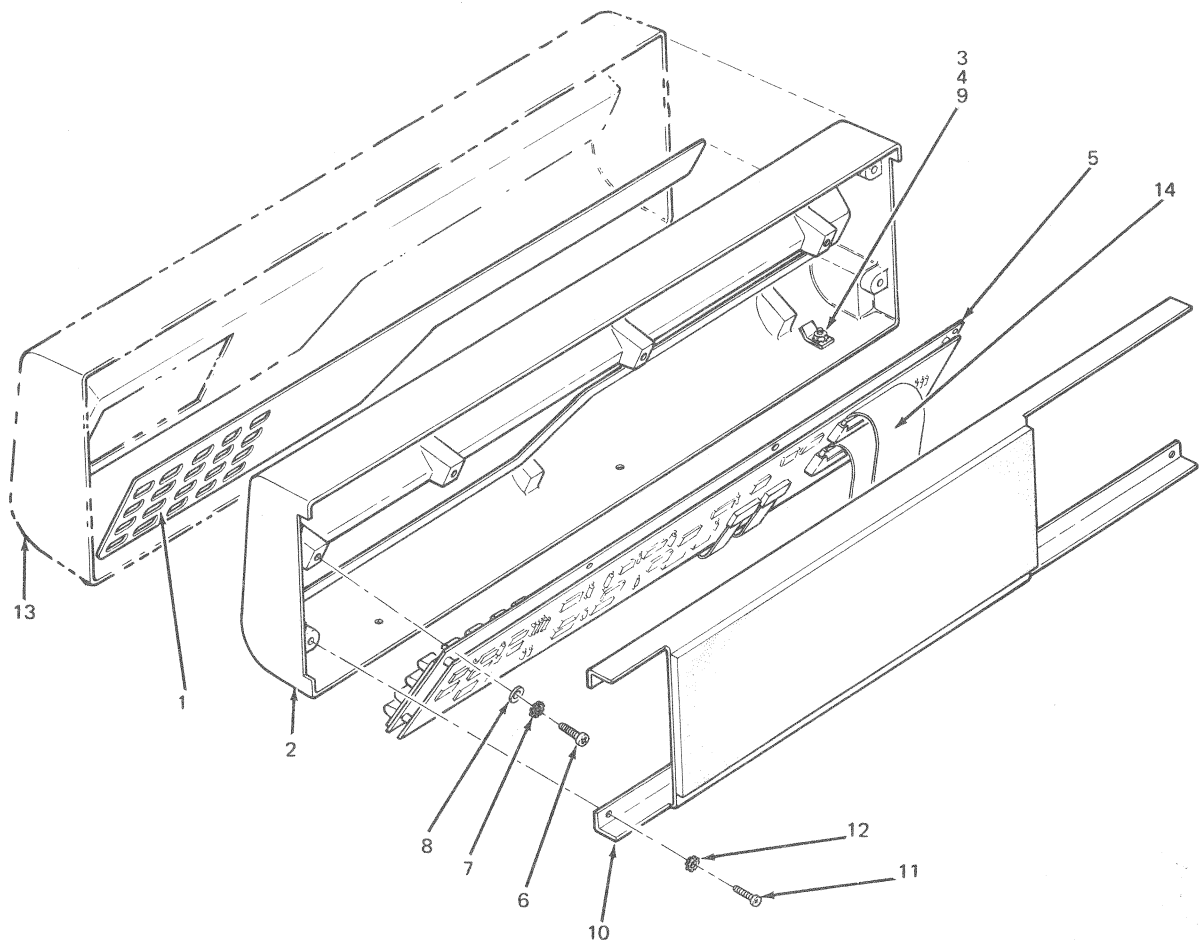
Copyright © 1976 by Digital Equipment Corporation

DEC reserves the right, without notice, to make substitutions and modifications in the specifications of products documented in this manual and further reserves the right to withdraw any of these products from the market without notice.

DEC is not responsible for errors which may appear in the technical description (including illustrations and photographs) of the products covered by this manual.

None of the descriptions contained in this manual imply the granting of any license whatsoever to make, use or sell equipment constructed in accordance therewith.

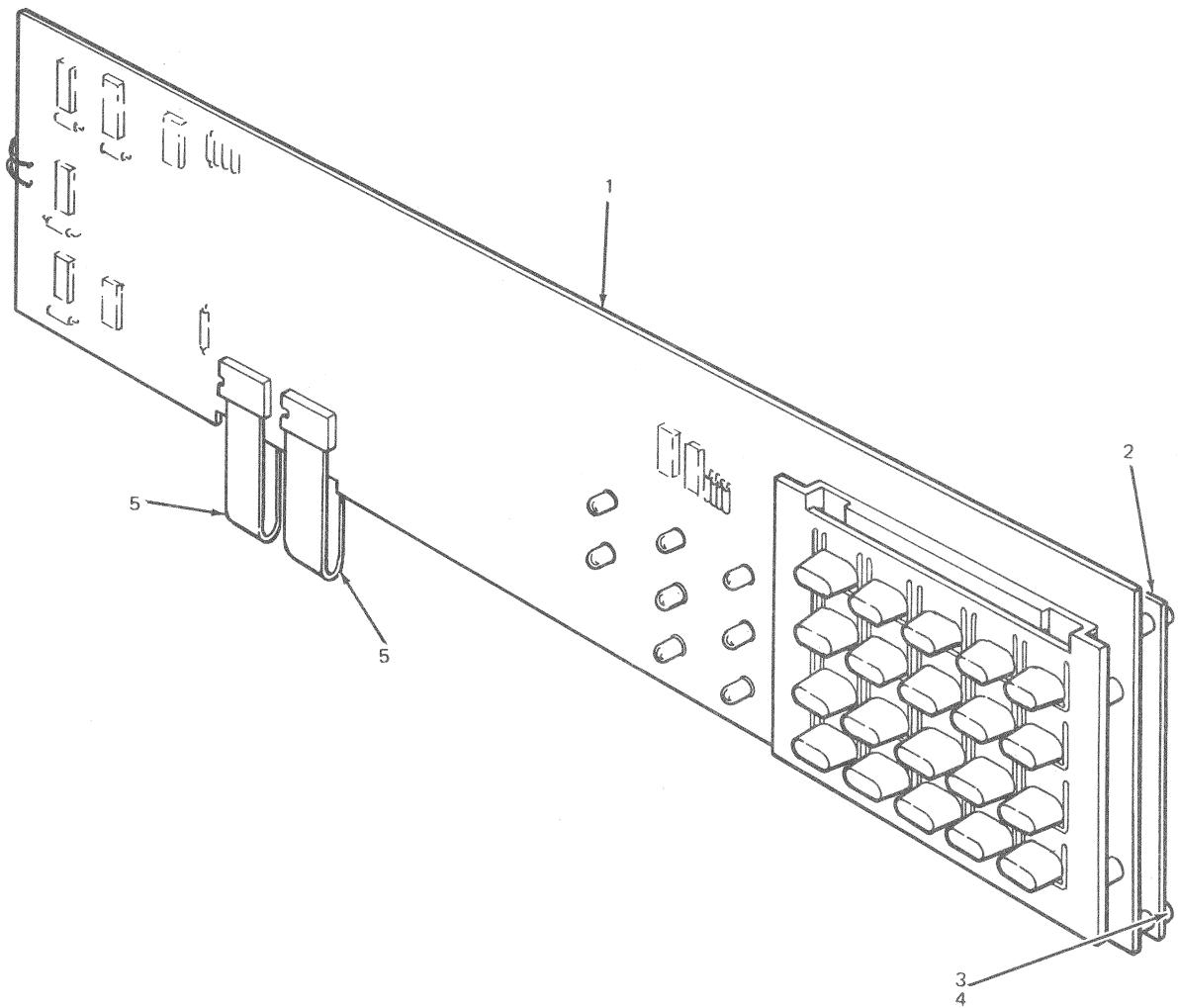
FIG & ITEM NO.	DESCRIPTION	DEC PART NO.	ECO CUT-IN KC8A 00003	USED ON CODE	VENDOR		REF FIG NO.
					CODE	PART NO.	
1-	PROGRAMMERS CONSOLE ASSEMBLY REMOTE PROGRAMMERS CONSOLE ASSEMBLY	KC8-AA KC8-AB		A B			
1	*Panel	74-12393-01					
2	*Bezel	74-12349-03					
3	*Screw, Phi Flat Hd No. 4-40 x .375	90-06011-02					
4	*Nut, Keps No. 4-40	90-06557-00					
5	*KEYBOARD ASSEMBLY	70-10644-00					2
6	*Screw, Phi Pan Hd No. 6-32 x .25	90-06020-01					
7	*Washer, Ext Lock Tooth No. 6	90-07649-00					
8	*Washer, Flat No. 6	90-06653-00					
9	*Clip	74-12352-00					
10	*Bracket, Bezel	74-11987-00					
11	*Screw, Phi Pan Hd No. 8-32 x .25	90-06035-01					
12	*Washer, Ext Lock Tooth No. 8	90-08151-00					
13	*Cover, Protective Bezel	74-13361-00					
14	*BC08R CABLE ASSEMBLY (1 FT) *BC08R CABLE ASSEMBLY (12 FT)	BC08R-01 BC08R-12		A B			



KC8A-01

Figure 1. Programmiers Console Assembly

FIG & ITEM NO.	DESCRIPTION	DEC PART NO.	ECO CUT-IN 70-10644 00000	USED ON CODE	VENDOR		REF FIG NO.
					CODE	PART NO.	
2-	KEYBOARD ASSEMBLY	70-10644-00					1
1	*INDICATOR DISPLAY MODULE	54-11241-00					3
2	*REGISTERS and CONTROL MODULE	54-11316-00					4
3	*Screw, Phi Pan Hd No. 4-40 x .25	90-08301-01					
4	*Washer, Internal Lock Tooth No. 4	90-06632-00					
5	*Cable, Keyboard	70-08612-00					

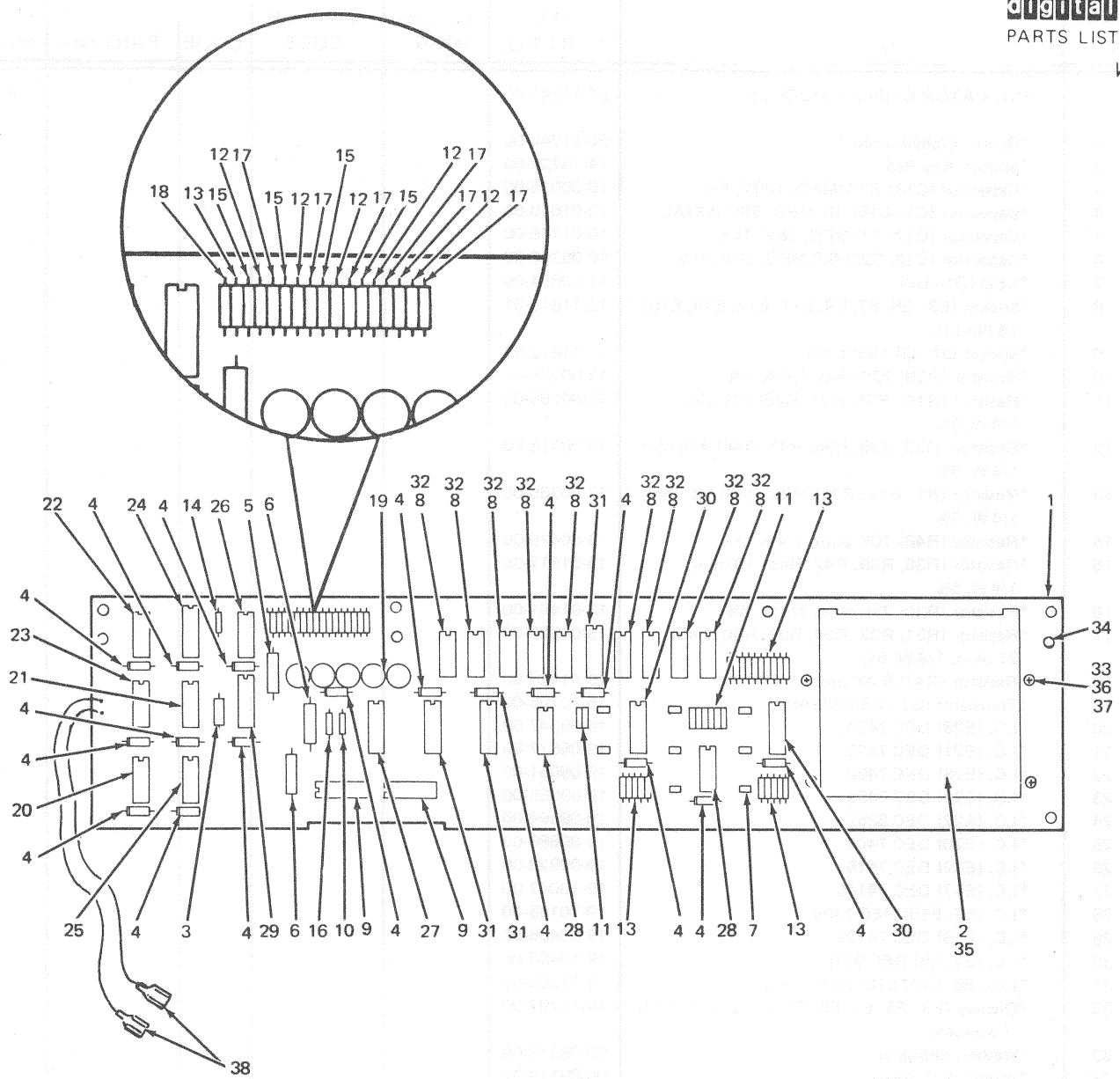


KC8A-02

Figure 2. Keyboard Assembly

11	10/10/10	10/10/10	10/10/10	10/10/10	10/10/10
12	10/10/10	10/10/10	10/10/10	10/10/10	10/10/10



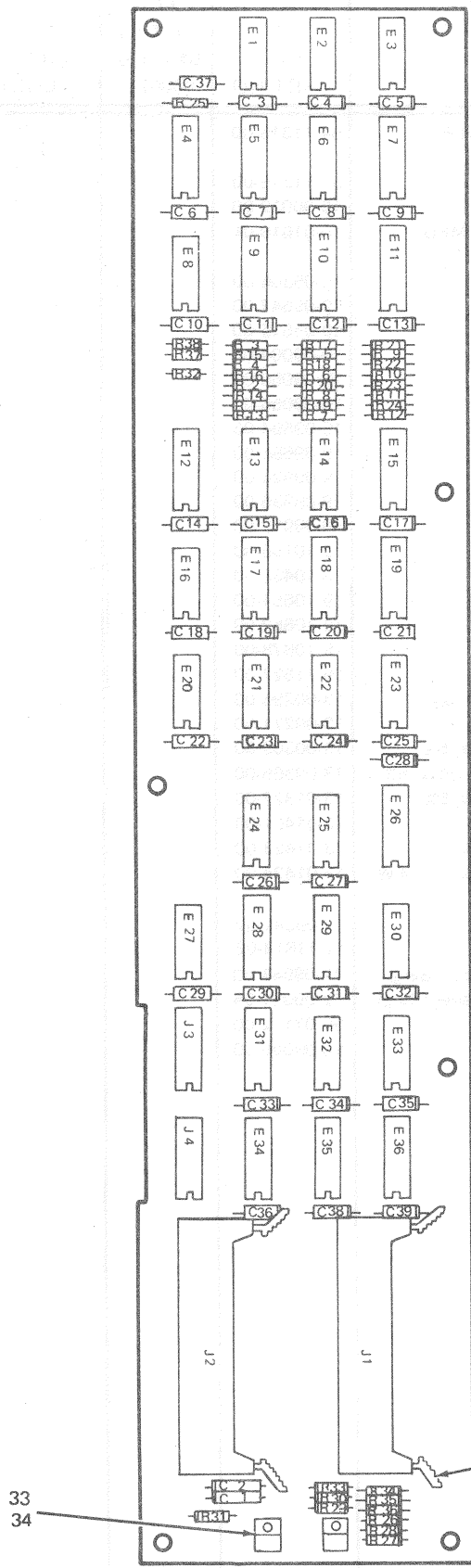


ETCH REV. D

KC8A-03

Figure 3. Indicator Display Module

FIG & ITEM NO.	DESCRIPTION	DEC PART NO.	ECO CUT-IN 54-11241 00002	USED ON CODE	VENDOR		REF FIG NO.
					CODE	PART NO.	
3-	INDICATOR DISPLAY MODULE	54-11241-00					2
1	*Board, Etched Circuit	50-11240-00					
2	*Spacer, Key Pad	74-13722-00					
3	*Capacitor (C18) 82 MMFD, 100V, 5%	10-00015-00					
4	*Capacitor (C1-C16) .01 MFD, 50V AXIAL	10-01610-00					
5	*Capacitor (C17) 1.0 MFD, 35V, 10%	10-01776-00					
6	*Capacitor (C19, C20) 6.8 MFD, 35V, 10%	10-05306-00					
7	*LED (D1-D8)	11-10864-00					
8	*Socket (E3-E5, E7, E9, E11, E12, E14, E15) 14 Pin I.C.	12-11813-01					
9	*Socket (J1, J2) 16 Pin I.C.	12-11813-02					
10	*Resistor (R29) 220 ohm, 1/4 W, 5%	13-00271-00					
11	*Resistor (R16-R21, R27, R28) 330 ohm, 1/4 W, 5%	13-00295-00					
12	*Resistor (R32, R35, R38, R41, R44) 470 ohm, 1/4 W, 5%	13-00316-00					
13	*Resistor (R1-R15, R22-R26, R46) 1K ohm, 1/4 W, 5%	13-00365-00					
14	*Resistor (R48) 10K ohm, 1/4 W, 5%	13-00479-00					
15	*Resistor (R36, R39, R42, R45) 10 ohm, 1/4 W, 5%	13-01317-00					
16	*Resistor (R30) 750 ohm, 1/4 W, 5%	13-01401-00					
17	*Resistor (R31, R33, R34, R37, R40, R43) 27 ohm, 1/4 W, 5%	13-01522-00					
18	*Resistor (R47) 6.8K ohm, 1/4 W, 5%	13-01423-00					
19	*Transistor (Q1-Q5) MPSA05	15-10705-00					
20	*I.C. (E23) DEC 7474	19-05547-00					
21	*I.C. (E21) DEC 7420	19-05577-00					
22	*I.C. (E25) DEC 7490	19-09051-00					
23	*I.C. (E24) DEC 7495	19-09055-00					
24	*I.C. (E22) DEC 8251	19-09594-00					
25	*I.C. (E20) DEC 7404	19-09686-00					
26	*I.C. (E19) DEC 7416	19-09928-00					
27	*I.C. (E17) DEC 74145	19-10047-00					
28	*I.C. (E2, E10) DEC 7408	19-10155-00					
29	*I.C. (E18) DEC 74123	19-10436-00					
30	*I.C. (E1, E6) DEC 9318	19-10454-00					
31	*I.C. (E8, E13, E16) DEC 7447A	19-11295-00					
32	*Display (E3-E5, E7, E9, E11, E12, E14, E15) 7 Segment	19-11297-00					
33	*Washer, Shoulder	90-08318-00					
34	*Inserts, P.C. Board	90-09113-02					
35	*KEYPAD ASSEMBLY	12-11856-00					
36	*Screw, Phl Pan Hd No. 4-40 x 5/8	90-06014-01					
37	*Nut, Kep No. 4-40	90-06557-00					
38	*Connector, Faston Solderless	90-07917-00					



Note:
Refer to Reference Designators
(E1, E10, C20, R1, etc.) to locate
Part No. on Parts List.

ETCH REV. C

KC8A-04

Figure 4. Register and Control Module

FIG & ITEM NO.	DESCRIPTION	DEC PART NO.	ECO CUT-IN 54-11316 00002	USED ON CODE	VENDOR		REF FIG NO.
					CODE	PART NO.	
4--	REGISTERS and CONTROL MODULE	54-11316-00					2
1	*Board, Etched Circuit	50-11315-00					
2	*Capacitor (C37) 56 MMF, 100V	10-00012-00					
3	*Capacitor (C3-C36, C38, C39) .01 MFD, 100V, 20%	10-01610-01					
4	*Capacitor (C1, C2) 6.8 MFD, 35V	10-05306-00					
5	*I.C. (E16, E20)	19-05547-00					
6	*I.C. (E8, E30)	19-05575-00					
7	*I.C. (E22, E33)	19-09004-00					
8	*I.C. (E26)	19-09050-00					
9	*I.C. (E1, E2, E3)	19-09055-00					
10	*I.C. (E29, E35)	19-09594-00					
11	*I.C. (E24, E27)	19-09686-00					
12	*I.C. (E23)	19-09928-00					
13	*I.C. (E9, E10, E11)	19-09935-00					
14	*I.C. (E17, E18, E19)	19-09937-00					
15	*I.C. (E32)	19-10155-00					
16	*I.C. (E4)	19-10436-00					
17	*I.C. (E5, E6, E7)	19-10651-00					
18	*I.C. (E12-E15, E36)	19-10652-00					
19	*I.C. (E21, E25)	19-10878-00					
20	*I.C. (E28, E31, E34)	19-11527-00					
21	*Resistor (R5-R16) 330 ohm, 1/4 W, 5%	13-00295-00					
22	*Resistor (R37) 220 ohm, 1/4 W, 5%	13-00271-00					
23	*Resistor (R27, R30) 390 ohm, 1/4 W, 5%	13-00309-00					
24	*Resistor (R28, R31, R36) 1K ohm, 1/4 W, 5%	13-00365-00					
25	*Resistor (R26, R29) 180 ohm, 1/4 W, 5%	13-01322-00					
26	*Resistor (R38) 750 ohm, 1/4 W, 5%	13-01401-00					
27	*Resistor (R25) 6.8K ohm, 1/4 W, 5%	13-01423-00					
28	*Resistor (R1-R4, R17-R24) 680 ohm, 1/4 W, 5%	13-01424-00					
29	*Connector (J1, J2) 40 pin Berg.	12-09941-02					
30	*Socket (J3, J4) 16 Pin I.C.	12-11813-02					
31	*Left Latch, 40 Pin Right Angle Header (Berg)	12-09941-03					
32	*Right Latch, 40 Pin Right Angle Header (Berg)	12-09941-04					
33	*Tab, Fast-on (TB-1, TB-2) Offset	90-07112-00					
34	*Eyelet	90-09000-00					

DEC

ILLUSTRATED PARTS BREAKDOWN COMMENT SHEET

Any and all comments and suggestions for correcting errors and/or additional information to improve this manual will be reviewed and researched for possible use when this manual is revised and/or reprinted. Enter your comments and suggestions in the form provided below and return to Technical Documentation.

MODEL _____

PUBLICATION NO. _____

FIGURE NO. _____ ITEM NO. _____

FIGURE NO. _____ ITEM NO. _____

CHANGE FROM _____

CHANGE FROM _____

CHANGE TO _____

CHANGE TO _____

FIGURE NO. _____ ITEM NO. _____

FIGURE NO. _____ ITEM NO. _____

CHANGE FROM _____

CHANGE FROM _____

CHANGE TO _____

CHANGE TO _____

FIGURE NO. _____ ITEM NO. _____

FIGURE NO. _____ ITEM NO. _____

CHANGE FROM _____

CHANGE FROM _____

CHANGE TO _____

CHANGE TO _____

ADDITIONAL COMMENT(S)

Name _____

Cost Center _____

date: _____



NO POSTAGE STAMP NEEDED IF MAILED IN THE UNITED STATES

Technical Documentation Department
Digital Mail (743-2)
Maxwell, Connecticut 06451

Any part, all comments and suggestions for additional information to improve this manual
and be returned to the author when this manual is revised and reprinted. For your comments
attention to the author's name and title in Technical Documentation Department.

PUBLICATION NO.

WORD

Fold Here

FIGURE NO. ITEM NO. CHANGE FROM CHANGE TO
FIGURE NO. ITEM NO. CHANGE FROM CHANGE TO
FIGURE NO. ITEM NO. CHANGE FROM CHANGE TO
FIGURE NO. ITEM NO. CHANGE FROM CHANGE TO

Do Not Tear - Fold Here and Staple

FIRST CLASS
PERMIT NO. 33
MAYNARD, MASS.

BUSINESS REPLY MAIL
NO POSTAGE STAMP NECESSARY IF MAILED IN THE UNITED STATES

Postage will be paid by:

Digital Equipment Corporation
Technical Documentation Department
Digital Park, PK3-2
Maynard, Massachusetts 01754

