

ILLUSTRATED PARTS BREAKDOWN

H9300 CHASSIS ASSEMBLY

HOW TO USE THE IPB

GENERAL

This IPB is compiled following the organization and nomenclature of the engineering drawing structure.

MAJOR ASSEMBLY LOCATOR

The Major Assembly Locator (first illustration) is an index that provides a description and a figure reference for all illustrations used in this manual.

INDENTED PARTS LIST

This manual identifies each assembly being broken down (figure reference callout), and all parts of that assembly. Further breakdown of an assembly is shown by an asterisk (*) preceding the item callouts in the Description Column. The number of asterisks preceding an item is used to denote the subordination of that item with respect to the Major Assembly. A single asterisk preceding an item description indicates that the item is part of the major assembly being illustrated. Items that are subordinate to single asterisks items, are denoted by two asterisks (**) and immediately follow the related single asterisk item. Additional asterisks are used, as required, to denote further subordination. This system of part identification, provides a means for the user to identify the next higher assembly item and make alternate selections for parts when the required replacement part or assembly is not immediately available.

COLUMN CALLOUT DESCRIPTION

Figure & Item — Indicates the figure number and item number of each part.

Description — Lists the name of the part and pertinent specifications (when required). Asterisks preceding the description denote the subordination of the part to the next higher assembly.

DEC Part No. — Lists the DEC part ordering number. A blank in this column indicates a DEC part number was not assigned at the time of publication.

ECO Cut-In — The notation at the top of this column indicates the ECO level of the system (option), at which the IPB was initially prepared. Subsequent ECO level designations, that modify existing parts or add new parts to the device, are inserted in the ECO Cut-In column next to the part that is added or modified. A bracket ([]) preceding the item description is used to indicate the parts affected by ECO's.

Vendor Code/Part No. — Indicates vendor parts that are not stocked by DEC. Refer to the Field Service Spares Catalog (vendor part number to DEC part number) for the vendor code cross-reference.

Used On Code — Letters in this column correspond to the variation codes assigned in Figure 1. Parts with an Alpha notation(s) are used only in those option variations. A blank indicates that the part is used on all option variations.

Ref Fig No. — A cross reference between illustrations. For each Major Assembly, the number in this column denotes the figure of the next higher assembly. For all subassemblies, the number in this column denotes the figure showing additional detailed breakdown.

SYMBOL USAGE

Hardware Designators — Alpha designators for screws (S), washers (W), nuts (N), and retaining rings (R) are inserted after the item number callouts on the illustration when stacked item numbers are used.

Attaching Hardware — The @ symbol is inserted before any part that is used as attaching hardware. Attaching hardware is denoted as those parts that are not an integral part of the referenced assembly.

(NFR) Not Field Repairable — The (NFR) symbol is inserted after any assembly that is not to be field dismantled.

Other Symbols — Any other symbols that are required for kits, accessories, etc., will be explained and appear as part of the item description.

REVISION HISTORY

PRINTING	ECO LEVEL	DATE	PAGES AFFECTED
1st Printing	H9300 00001-00001 G8018 00003-00003 H9194 00001-00001 70-10935 00002-00002 70-10039 00002-00002 70-09978 00000-00000 70-10915 00002-00002 70-09755 00001-00001	4-23-76	N/A

Copyright © 1976 by Digital Equipment Corporation

DEC reserves the right, without notice, to make substitutions and modifications in the specifications of products documented in this manual and further reserves the right to withdraw any of these products from the market without notice.

DEC is not responsible for errors which may appear in the technical description (including illustrations and photographs) of the products covered by this manual.

None of the descriptions contained in this manual imply the granting of any license whatsoever to make, use or sell equipment constructed in accordance therewith.

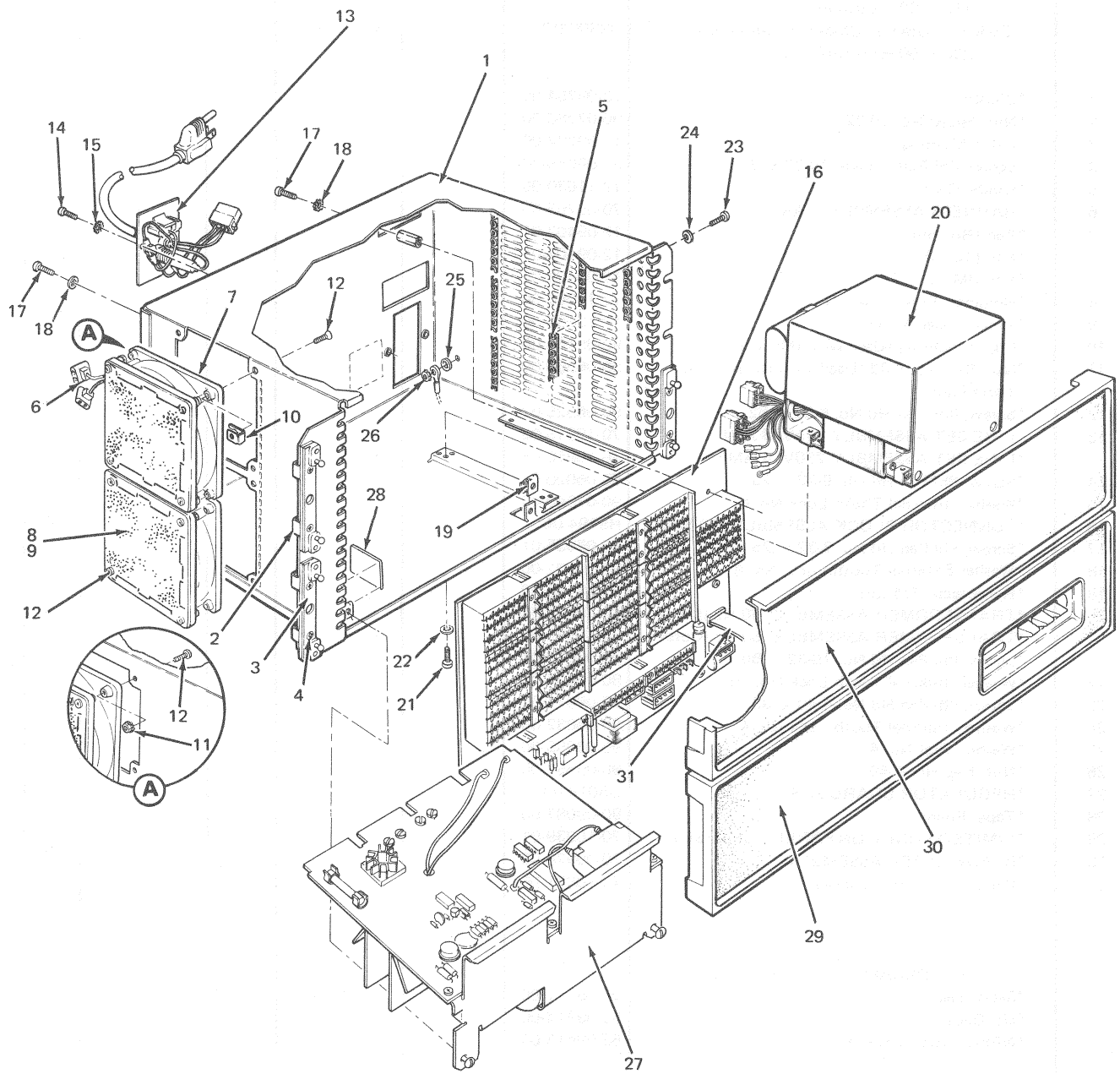
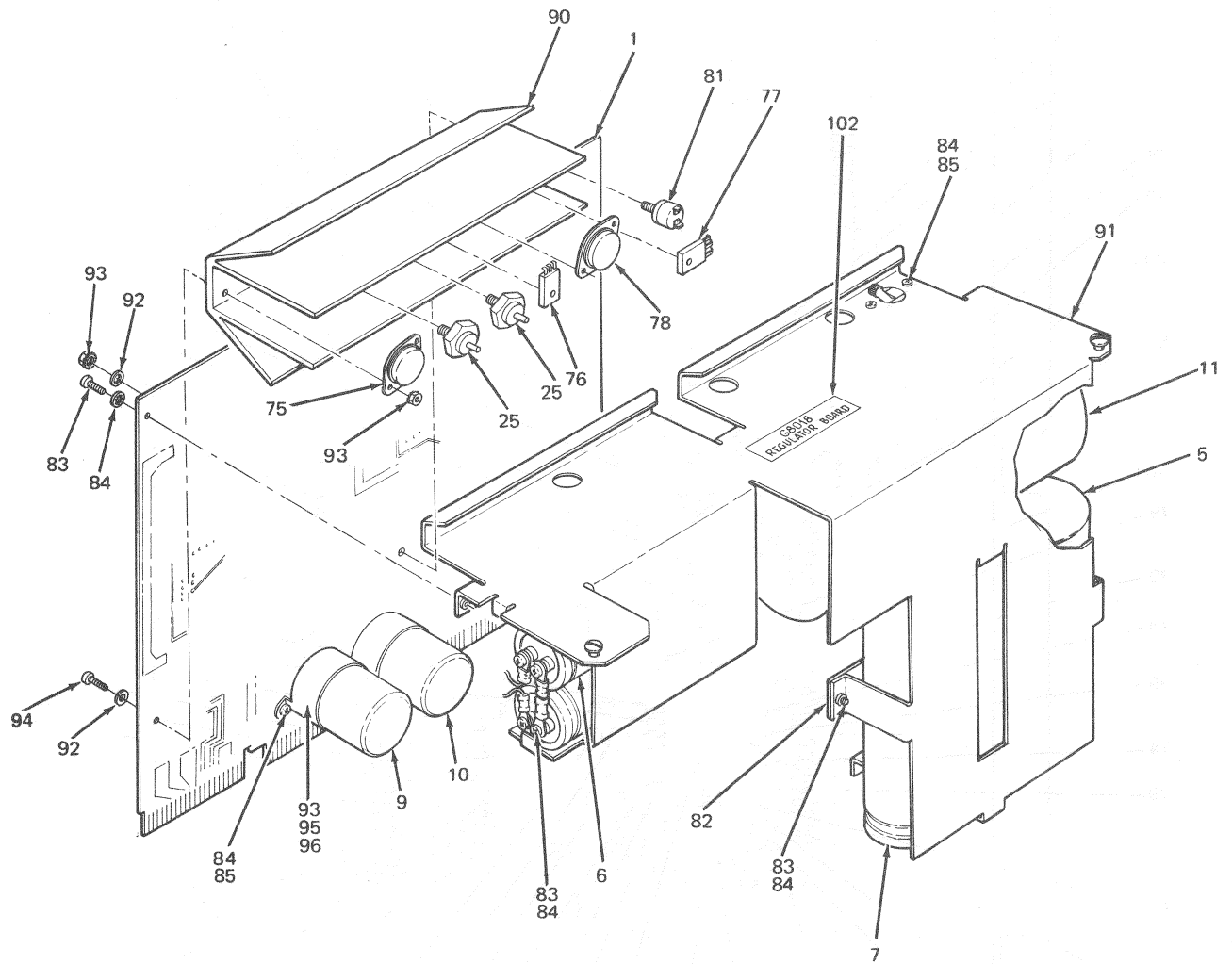


Figure 1. Chassis Assembly

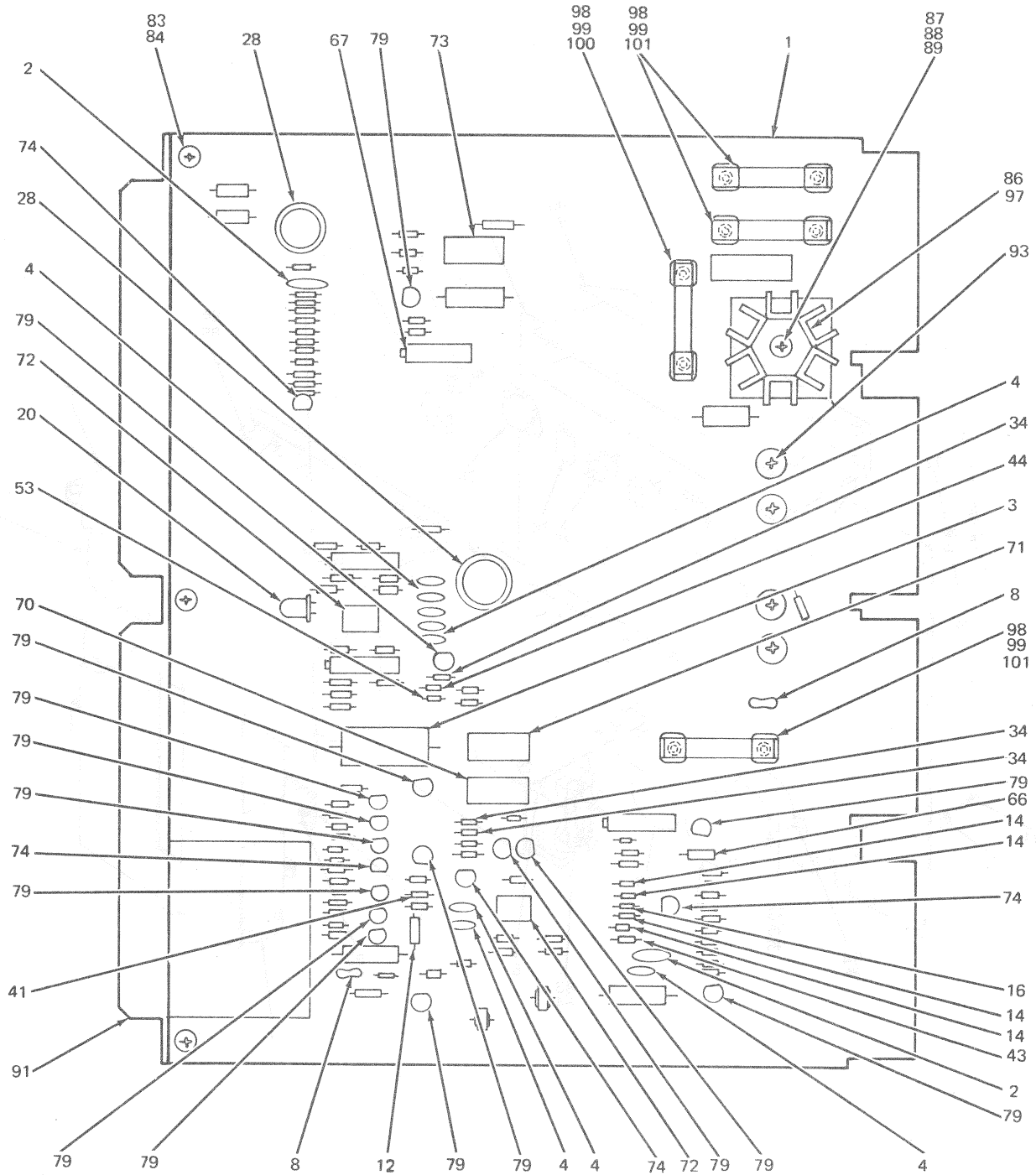
H9300-01

FIG & ITEM NO.	DESCRIPTION	DEC PART NO.	ECO CUT-IN H9300 00001	USED ON CODE	VENDOR		REF FIG NO.
					CODE	PART NO.	
1-	CHASSIS ASSEMBLY						
	Code A - Used on Chassis Assembly BA 115V, 60 Hz (Core)	H9300-BA		A			
	Code B - Used on Chassis Assembly BB 230V, 50 Hz (Core)	H9300-BB		B			
1	*Chassis	70-09754-00					
2	*Nut, Speed No. 10-32	90-07786-00					
3	*Latch Molding	12-09224-00					
4	*Screw, Phl Flat Hd No. 10-32 x .75	90-06075-02					
5	*Guide, Card	12-11630-00					
6	*HARNES ASSEMBLY, FAN	70-09755-00					8
7	*Fan (Rotron)	12-09403-01					
	*Fan (Torin)	12-09403-01					
	*Fan (IMC)	12-09403-01					
8	*Retainer, Filter (See Note)	12-12059-00					
9	*Filter (See Note)	12-12106-00					
10	*Clip, Mounting (Used with IMC Fan)	90-09165-00					
11	*Nut, Kep No. 6-32 (Used with Rotron and Torin Fans)	90-06560-00					
12	*Screw, Phl Flat Hd No. 6-32 x .62	90-06025-02					
13	*LINE SET ASSEMBLY 115V, 8 AMP	70-10915-03		A			7
	*LINE SET ASSEMBLY 230V, 4 AMP	70-10915-04		B			7
14	*Screw, Phl Pan Hd No. 6-32 x .25	90-06020-01					
15	*Washer, Internal Tooth Lock No. 6	90-07649-00					
16	*CONNECTOR BLOCK ASSEMBLY (12 Slot)	H9194-00					3
17	*Screw, Phl Pan Hd No. 8-32 x .25	90-06035-01					
18	*Washer, External Tooth Lock, No. 8	90-08072-00					
19	*Receptacle, 1/4 turn	90-08196-00					
20	*TRANSFORMER ASSEMBLY, 60 Hz (Core)	70-10935-01		A			4
	*TRANSFORMER ASSEMBLY, 50 Hz (Core)	70-10935-02		B			4
21	*Screw, Phl Pan Hd No. 10-32 x .50	90-06073-01					
22	*Washer, Internal Tooth Lock No. 10	90-06635-00					
23	*Screw, Phl Pan Hd No. 4-40 x .38	90-06011-01					
24	*Washer, Internal Tooth Lock No. 4	90-06632-00					
25	*Washer, Flat No. 4	90-06655-00					
26	*Nut, Kep No. 4-40	90-06557-00					
27	*REGULATOR BOARD ASSEMBLY	G8018-00		A, B			2
28	*Tape, Foam	90-09087-00					
29	*LIMITED FUNCTION PANEL ASSEMBLY	70-10039-01					5
30	*BLANK BEZEL ASSEMBLY	70-09978-00					6
31	*Cable, 16 Cond. Jacketed	70-10871-IF					
	DECALS (Not Shown)						
	*Serial Tag	90-08141-00					
	*UL Decal	53-09414-00					
	*NFPA Type 11 Decal	53-09413-00					
	Note: If Items No. 8 and No. 9 are not available, use two fan screens. Part No. 74-04881-00						



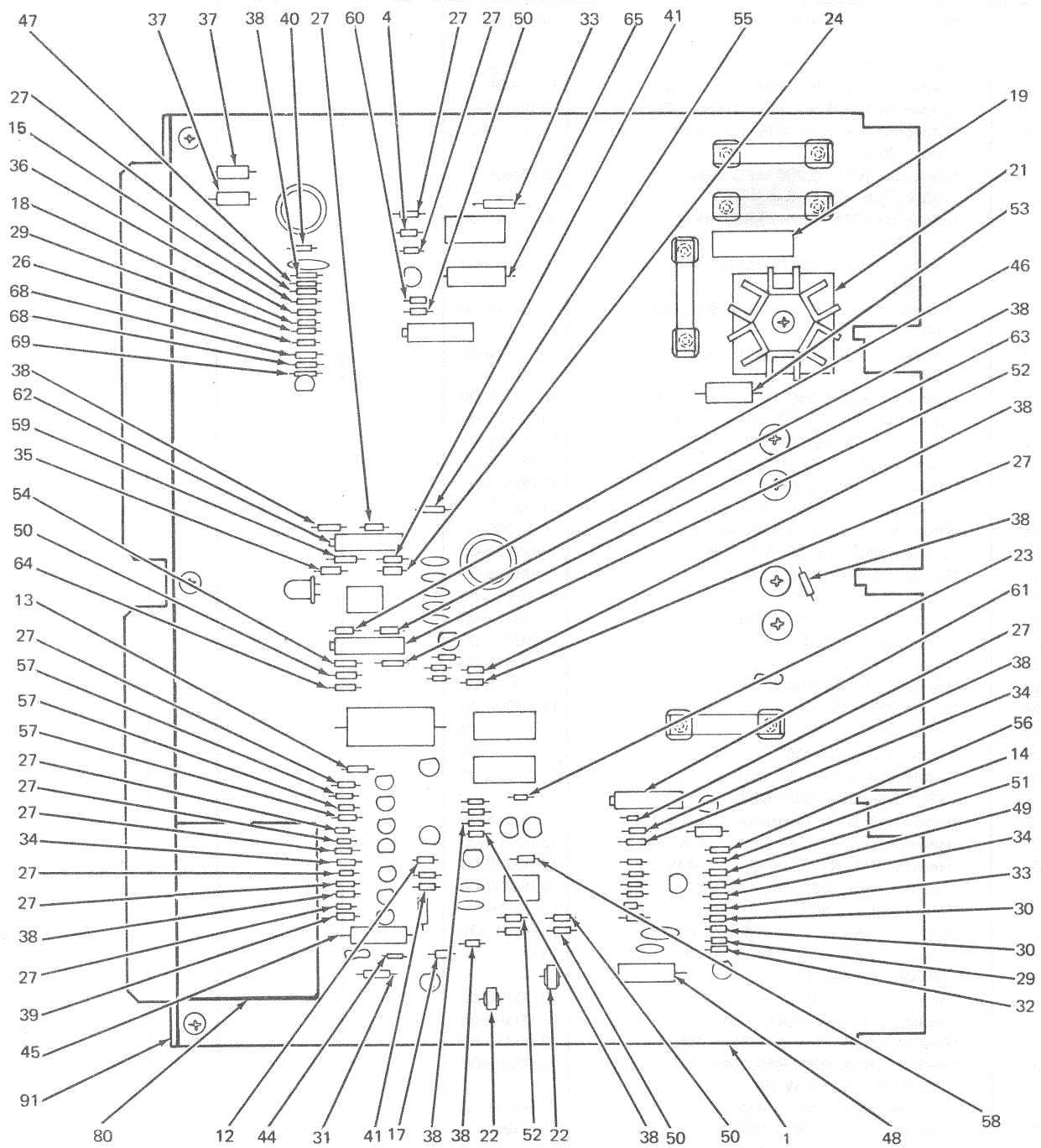
H9300-02

Figure 2. Regulator Board Assembly (Sheet 1 of 3)



H9300-02A

Figure 2. Regulator Board Assembly (Sheet 2 of 3)



H9300-02A

Figure 2. Regulator Board Assembly (Sheet 3 of 3)

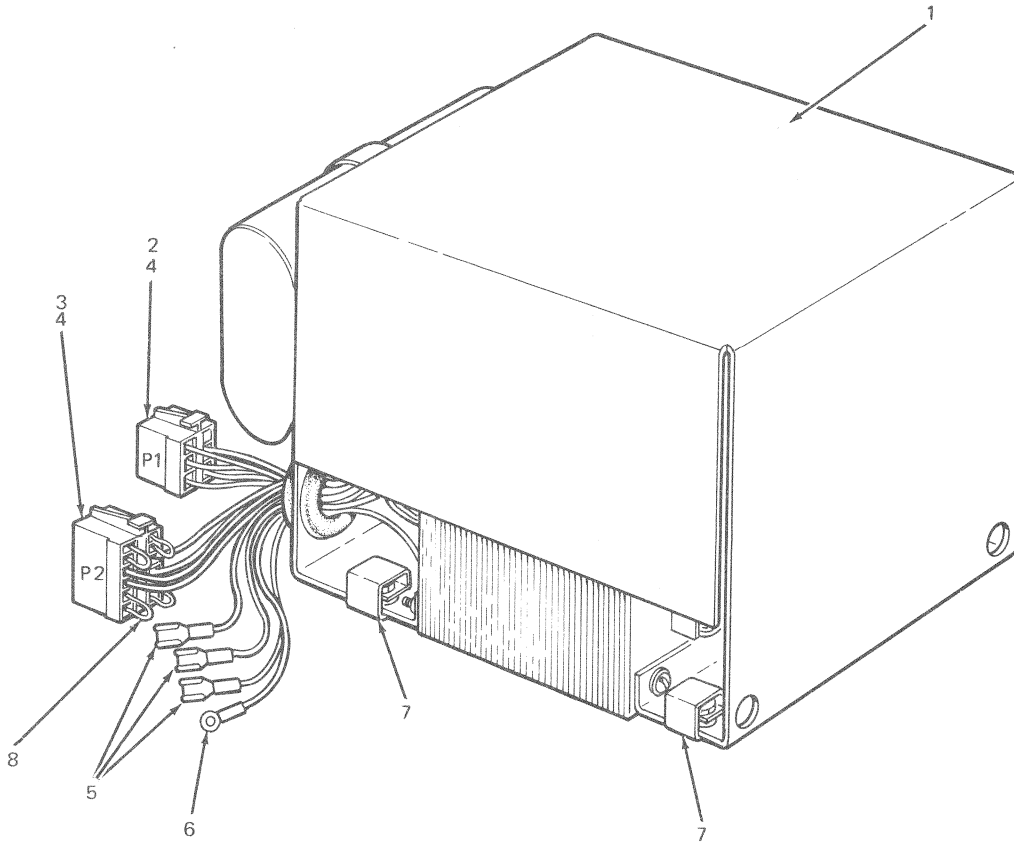
FIG & ITEM NO.	DESCRIPTION	DEC PART NO.	ECO CUT-IN G8018 00003	USED ON CODE	VENDOR		REF FIG NO.
					CODE	PART NO.	
2-	REGULATOR BOARD 8A (Core)	G8018-00					1
1	*Board, Etched Circuit (Rev D)	50-11490-00					
2	*Capacitor (C3, C9) .1 MFD, 100V, 20%	10-00030-00					
3	*Capacitor (C20) .47 MFD, 100V, 10%	10-00040-00					
4	*Capacitor (C4, C14-C19, C21, C24) .01 MFD, 100V, 20%	10-01610-01					
5	*Capacitor (C7) 19,000 MFD, 40V -10% to +75%	10-09966-00					
6	*Capacitor (C11, C12) 10,800 MFD, 20V -10% to +100%	10-10185-00					
7	*Capacitor (C13) 18,000 MFD, 10V -10% to +100%	10-10197-00					
8	*Capacitor (C1, C6) .22 MFD, 50V -20% to +80%	10-10274-00					
9	*Capacitor (C10) 3,000 MFD, 25V -10% to +75%	10-10703-00					
10	*Capacitor (C5) 6,000 MFD, 10V -10% to +75%	10-10704-00					
11	*Capacitor (C2) .11 FD, 10V -10% to +75%	10-11578-00					
12	*Capacitor (C8, C23) 680 PF, 100V, 5%	10-00026-00					
13	*Capacitor (C22) 39 MFD, 10V, 10%	10-00076-00					
14	*Diode (D5-D9) D662	11-00113-00					
15	*Diode (D14) IN 758A, 10V, 5%	11-00125-00					
16	*Diode (D10) 5.7V ±2%, Screened	11-11205-00					
17	*Diode (D26) IN 4732, 4.7V, 5%	11-05138-00					
18	*Diode (D13) IN 9648, 13V, 5%	11-09988-00					
19	*Diode (D16) MDA970-3F, 200V	11-10208-00					
20	*Diode (D25) LED MV5054-1	11-10324-00					
21	*Diode (D11) MS53514, 200V	11-10714-00					
22	*Diode (D18, D19) MR752	11-10615-00					
23	*Diode (D15) IN 759A, 12V, 5%	11-10836-00					
24	*Diode (D27) IN 751A, 5.7V, 5%	11-10994-00					
25	*Diode (D1, D2) IN 1183	11-11609-00					
26	*Diode (D34) IN 970B	11-10856-00					
27	*Diode, (D4, D17, D20, D21, D23, D24, D28-D32, D22, D35) D672	11-05275-00					
28	*Diode (D3, D12) Transistor, C32A x 135 Screw	15-10928-00					
29	*Resistor (R7, R25) 47 Ohm, 1/4 W, 5%	13-00202-00					
30	*Resistor (R4, R17) 100 Ohm, 1/4 W, 5%	13-00229-00					
31	*Resistor (R1) 100 Ohm, 1 W, 5%	13-00232-00					
32	*Resistor (R6) 150 Ohm, 1/4 W, 5%	13-00250-00					
33	*Resistor (R5, R19) 220 Ohm, 1/4 W, 5%	13-00271-00					
34	*Resistor (R13, R15, R43, R54, R60, R61) 330 Ohm, 1/4 W, 5%	13-00295-00					
35	*Resistor (R51) 330 Ohm, 1/2 W, 5%	13-00296-00					
36	*Resistor (R24) 390 Ohm, 1/4 W, 5%	13-00309-00					
37	*Resistor (R28, R29) 470 Ohm, 1 W, 5%	13-00319-00					
38	*Resistor (R14, R30, R40, R44, R55, R59, R62, R67) 1K, 1/4 W, 5%	13-00365-00					
39	*Resistor (R45) 1.5K, 1/4 W, 5%	13-00391-00					
40	*Resistor (R27) 1.5K, 1/2 W, 5%	13-00394-00					
41	*Resistor (R36, R41) 3.3K, 1/4 W, 5%	13-00439-00					
42	*Resistor (R56) 4.7K, 1/4 W, 5%	13-00447-00					
43	*Resistor (R16) 10 Ohm, 1/4 W, 5%	13-01317-00					

FIG & ITEM NO.	DESCRIPTION	DEC PART NO.	ECO CUT-IN G8018 00003	USED ON CODE	VENDOR		REF FIG NO.
					CODE	PART NO.	
2-							
44	*Resistor (R42, R47) 680 Ohm, 1/4 W, 5%	13-01424-00					
45	*Resistor (R46) 200 Ohm, 2 W, 5%	13-01494-00					
46	*Resistor (R52) 511 Ohm, 1/4 W, 1%	13-02411-00					
47	*Resistor (R26) 56 Ohm, 1/4 W, 5%	13-02602-00					
48	*Resistor (R3) 56 Ohm, 2 W, 5%	13-02836-00					
49	*Resistor (R12) 100 Ohm, 1/8 W, 1%	13-02858-00					
50	*Resistor (R21, R33, R34, R63) 1.21K, 1/4 W, 1%	13-02871-00					
51	*Resistor (R9) 196 Ohm, 1/4 W, 1%	13-02956-00					
52	*Resistor (R32, R35, R50) 464 Ohm, 1/4 W, 1%	13-03047-00					
53	*Resistor (R18) 470 Ohm, 2 W, 5%	13-03062-00					
54	*Resistor (R57) 12.1K, 1/4 W, 1%	13-03313-00					
55	*Resistor (R2) 1 Ohm, 5 W, 10%	13-03365-00					
56	*Resistor (R10) 1.96K, 1/4 W, 1%	13-04833-00					
57	*Resistor (R37-R39) 15K, 1/4 W, 5%	13-00496-00					
58	*Resistor (R31) 2.2K, 1/4 W, 5%	13-00417-00					
59	*Resistor (R48) 383 Ohm, 1/4 W, 1%	13-05125-00					
60	*Resistor (R23) 619 Ohm, 1/4 W, 1%	13-05126-00					
61	*Resistor (R11) 100 Ohm, 3/4 W, 10%	13-09143-04					
62	*Resistor (R49) 500 Ohm, 3/4 W, 10%	13-09143-06					
63	*Resistor (R53) 5K, 3/4 W, 10%	13-09143-09					
64	*Resistor (R58) 14.7K, 1/4 W, 1%	13-02941-00					
65	*Resistor (R20) .14 Ohm, 5W, 1%	13-10189-00					
66	*Resistor (R8) 100 Ohm, 1/2 W, NTC	13-11760-00					
67	*Resistor (R22) 200 Ohm, 3/4 W, 10%	13-09143-05					
68	*Resistor (R64, R65) 270 Ohm, 1/4 W, 5%	13-01972-00					
69	*Resistor (R66) 33 Ohm, 1/4 W, 5%	13-00197-00					
70	*I.C. (E4) DEC7474	19-05547-00					
71	*I.C. (E3) DEC74121	19-10230-00					
72	*I.C. (E2, E5) DEC72741	19-10298-00					
73	*I.C. (E1) DEC723	19-10415-00					
74	*Transistor (Q4, Q12, Q20, Q21) DEC65348	15-03409-01					
75	*Transistor (Q6) DEC2N3791	15-09581-00					
76	*Transistor (Q2) MJE3055	15-10555-00					
77	*Transistor (Q8) MJE2955	15-10556-00					
78	*Transistor (Q1) DEC 2N5683	15-11647-00					
79	*Transistor (Q3, Q5, Q7, Q9-Q11, Q13-Q19) DEC 65318	15-09338-00					
80	*Circuit Breaker (CB1)	12-11673-00					
81	*Thermostat (S1)	12-11682-00					
82	*Clamp, Capacitor	74-13208-00					
83	*Screw, Phi Pan Hd No. 6-32 x .25	90-06020-01					
84	*Washer, Internal Tooth Lock No. 6	90-06633-00					
85	*Screw, Phi Pan Hd No. 6-32 x .31	90-06021-01					
86	*Heat Sink (Bridge Rectifier) No. 695-1-G	12-10907-00					
87	*Screw, Phi Pan Hd No. 8-32 x .75	90-06041-01					
88	*Washer, Internal Tooth Lock No. 8	90-06634-00					
89	*Nut, Kep No. 8-32	90-06563-00					
90	*Heat Sink, T-05 (Trans. Mounted)	12-12322-00					
91	*Bracket, Regulator Board	74-13241-00					
92	*Washer, Flat No. 6	90-06656-00					
93	*Nut, Kep No. 6-32	90-08185-00					
94	*Screw, Phi Pan Hd No. 6-32 x .56	90-07793-01					

FIG & ITEM NO.	DESCRIPTION	DEC PART NO.	ECO CUT-IN G8018 00003	USED ON CODE	VENDOR		REF FIG NO.
					CODE	PART NO.	
2-							
95	*Bracket, Capacitor	12-10428-00					
96	*Washer, Nylon No. 6	90-06707-00					
97	*Washer, Nylon No. 8	90-06713-00					
98	*Fuse Clips	90-07203-00					
99	*Eyelet	90-09000-00					
100	*Fuse, 4 AMP	90-07219-00					
101	*Fuse, 2.5 AMP	90-08387-00					
102	*Decal	74-13498-00					

FIG & ITEM NO.	DESCRIPTION	DEC PART NO.	ECO CUT-IN H9194 00001	USED ON CODE	VENDOR		REF FIG NO.
					CODE	PART NO.	
3-	CONNECTOR BLOCK ASSEMBLY	H9194-00					1
1	*Board, Etched Circuit	50-11505-00					
2	*Capacitor (C1) 930 MFD, 30 V	10-10509-00					
3	*Capacitor (C2) .02 MFD, 1000V Dual Disc	10-10767-00					
4	*Resistor (R1-R3) 2.2K Ohms, 1/4 W, 5%	13-00417-00					
5	*Resistor (R4, R5) 20 Ohms, 10W, 1%	13-05416-00					
6	*Resistor (R6) 10 Ohms, 2W, 10%	13-00172-00					
7	*Diode Array (E2)	70-10866-00					
8	*Quad Core Driver (E1) 4011	15-11102-00					
9	*Relay (K1) 3 Pole, 6V, 10 AMP	12-10683-01					
10	*Socket, Relay	12-10684-00					
11	*Eyelet	90-06746-00					
12	*Transformer (T1)	16-11646-00					
13	*Clip, Fuse	90-07203-00					
14	*Eyelet	90-09000-00					
15	*Fuse (F1) 3/8 AMP Slo-Blo	90-07207-00					
16	*Socket (J14, J20) I.C. 16 Pin	12-11813-02					
17	*Socket (J21) I.C. 14 Pin	12-11813-01					
18	*Connector (J1-J6) 288 Pin, Slotted	12-10258-00					
19	*Connector (J9-J13) 36 Pin, Slotted	12-11029-00					
20	*Connector (J7, J8) 72 Pin, Slotted	12-11425-00					
21	*Connector (J16, J17) P.C. 12 Pin	12-11342-12					
22	*Connector (J15, J19) P.C. 6 Pin	12-11342-06					
23	*Connector (J18) P.C. 4 Pin	12-11342-04					
24	*Screw, Phl Pan Hd No. 8-32 x .25	90-06035-01					
25	*Washer, Internal Tooth Lock No. 8	90-06634-01					
26	*Washer, Flat No. 8	90-06660-00					
27	*Spacer, No. 8-32 x .25 x .56	90-09602-00					
28	*Screw, Soc. Hd No. 8-32 x 1.25	90-08471-00					
29	*Screw, Phl Pan Hd, Self Tapping No. 8-32 x .81	90-09070-00					
30	*Spacer, No. 8-32 x .25 x 1.25	90-09603-00					
31	*Spacer, No. 8-32 x .25 x .62	90-09629-00					
32	*Terminal, Single Male Tab	90-08219-00					
33	*Card Guide, Center	12-10698-00					

FIG & ITEM NO.	DESCRIPTION	DEC PART NO.	ECO CUT-IN 70-10935 00002	USED ON CODE	VENDOR		REF FIG NO.
					CODE	PART NO.	
4--	TRANSFORMER ASSEMBLY 115V-230V, 60 Hz	70-10935-01		A			1
	TRANSFORMER ASSEMBLY 115V-230V, 50 Hz	70-10935-02		B			
1	*Transformer, Power 115V-230V, 60 Hz	16-12398-00		A			
	*Transformer, Power 115V-230V, 50 Hz	16-12399-00		B			
2	*Connector (P1) Socket Housing 6 Pin Mate-N-Lok	12-10821-06					
3	*Connector (P2) Socket Housing 12 Pin Mate-N-Lok	12-10821-12					
4	*Terminal, Socket Contact	12-09379-00					
5	*Connector, Quick Disconnect	90-07920-00					
6	*Connector, Solderless	90-07927-00					
7	*Nut, Speed No. 10-32	90-07786-00					
8	*Wire, 18 AWG Strd. Red	91-07360-22					



H9300-04

Figure 4. Transformer Assembly

DATE	DESCRIPTION	AMOUNT	CHECK NO.	BANK	REMARKS
10/1/19	10/1/19				
10/2/19	10/2/19				
10/3/19	10/3/19				
10/4/19	10/4/19				
10/5/19	10/5/19				
10/6/19	10/6/19				
10/7/19	10/7/19				
10/8/19	10/8/19				
10/9/19	10/9/19				
10/10/19	10/10/19				
10/11/19	10/11/19				
10/12/19	10/12/19				
10/13/19	10/13/19				
10/14/19	10/14/19				
10/15/19	10/15/19				
10/16/19	10/16/19				
10/17/19	10/17/19				
10/18/19	10/18/19				
10/19/19	10/19/19				
10/20/19	10/20/19				
10/21/19	10/21/19				
10/22/19	10/22/19				
10/23/19	10/23/19				
10/24/19	10/24/19				
10/25/19	10/25/19				
10/26/19	10/26/19				
10/27/19	10/27/19				
10/28/19	10/28/19				
10/29/19	10/29/19				
10/30/19	10/30/19				
10/31/19	10/31/19				



10/1/19

10/2/19

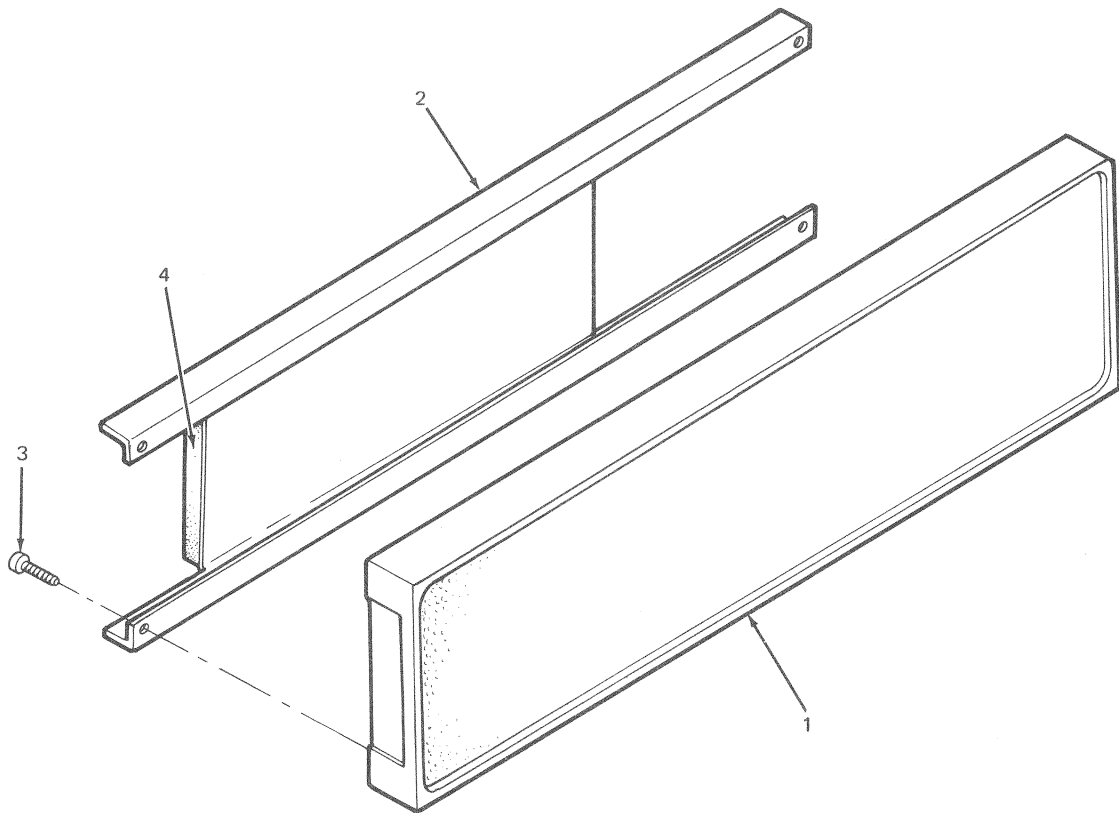
10/3/19

10/4/19

10/5/19

FIG & ITEM NO.	DESCRIPTION	DEC PART NO.	B ECO CUT-IN 70-10039 00002	USED ON CODE	VENDOR		REF FIG NO.
					CODE	PART NO.	
5--	LIMITED FUNCTION PANEL ASSEMBLY	70-10039-01		A, B			1
1	*Bezel Assembly	70-10038-00					
2	*Fastener, Onsert No. 6-32	90-09601-00					
3	*LIMITED FUNCTION BOARD ASSEMBLY	54-11507-00					
4	**Board, Etched Circuit	54-11506-00					
5	**Diode, (D1, D2) D672	11-05275-00					
6	**Diode, (D3) IN4004	11-05796-00					
7	**Diode, (D4-D6) Light Emitting	11-10324-00					
8	**Knob, Dark Gray (No. 47)	12-10786-00					
9	**Switch, (S1, S2) Toggle, S.P.D.T.	12-10840-00					
10	**Switch, (S4) Slide, D.P.S.T.	12-10919-00					
11	**Switch, (S3) Toggle, D.P.D.T.	12-12010-00					
12	**LED Holder, (LH1) Triple	12-10940-02					
13	**Resistor, (R3) 470 Ohms, 1/4 W, 5%	13-00316-00					
14	**Resistor, (R7-R9) 1.5K Ohms, 1/4 W, 5%	13-00391-00					
15	**Resistor, (R4-R6) 820 Ohms, 1/4 W, 5%	13-01775-00					
16	**Resistor, (R1, R2) 270 Ohms, 1/4 W, 5%	13-01972-00					
17	**Quad Core Driver, (E1) 4011	15-11102-00					
18	**Socket, (J1) 16 Pin I.C.	12-11813-02					
19	**Screw, Slotted Pan Hd, Self-Tapping No. 6-25	90-08230-01					
20	*Washer, Internal Lock No. 6	90-06633-00					
21	*Screw, Phi Pan Hd No. 6-32 x .318	90-06022-01					
22	*Bracket, Module Retaining	74-13487-00					
23	*Screw, Phi Pan Hd, Self-Tapping No. 8-32 x .38	90-06418-01					

FIG & ITEM NO.	DESCRIPTION	DEC PART NO.	ECO CUT-IN 70-09978 00000	USED ON CODE	VENDOR		REF FIG NO.
					CODE	PART NO.	
6-	BLANK BEZEL ASSEMBLY (5-1/4)	70-09978-00					1
1	*Cover, H950 Panel	H950-PB					
2	*Bracket, Bezel	74-11987-00					
3	*Screw, Phl Pan Hd Self Tapping No. 8-32 x 3/8	90-06418-01					
4	*Foam, Adhesive	90-08259-00					



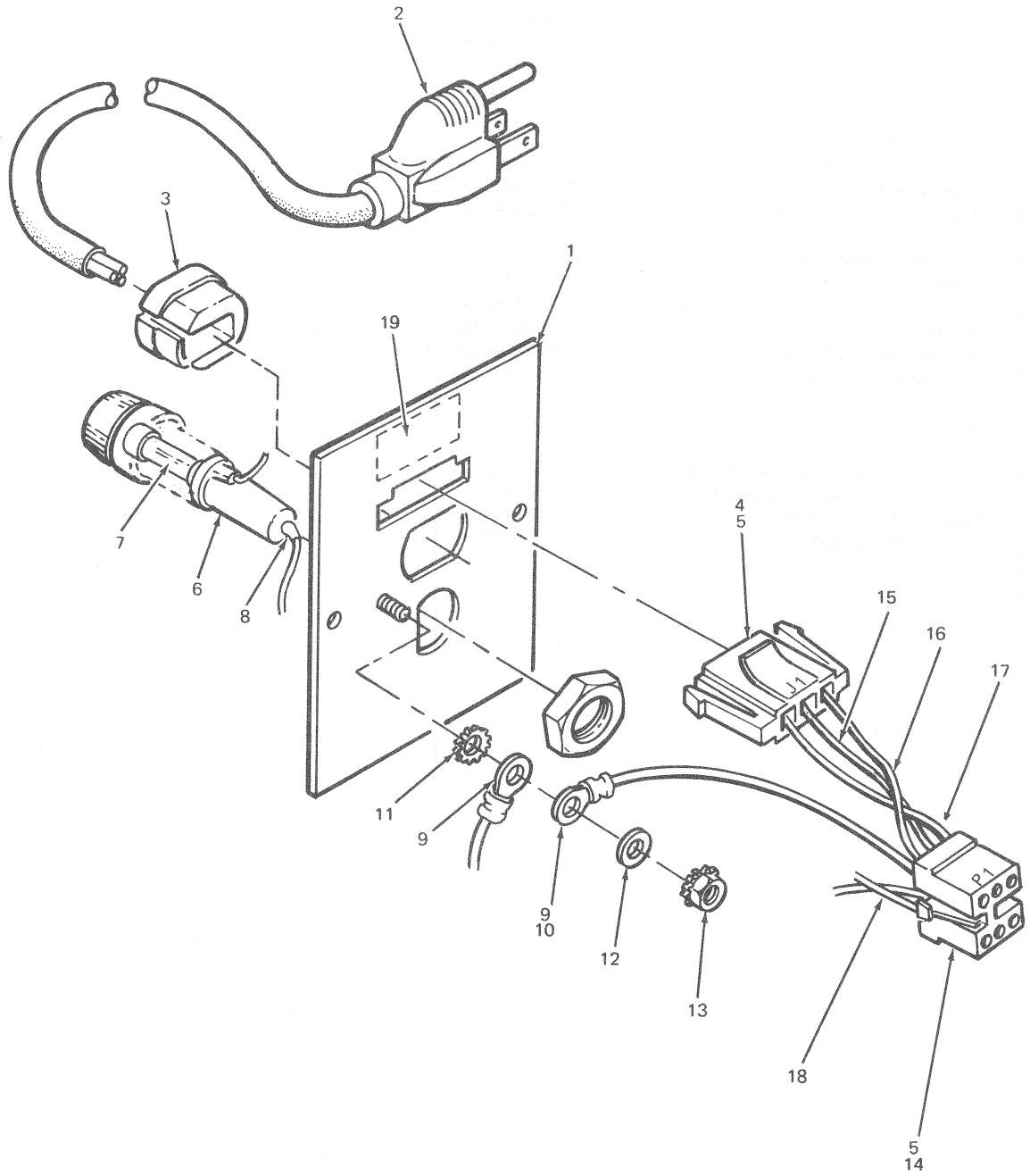
H9300-06

Figure 6. Blank Bezel Assembly

1	2	3	4	5
10	20	30	40	50
60	70	80	90	100
110	120	130	140	150
160	170	180	190	200

The following table shows the results of the experiment. The data is presented in a clear and concise manner, allowing for easy comparison and analysis. The results are consistent with the theoretical predictions, demonstrating the accuracy of the experimental setup.



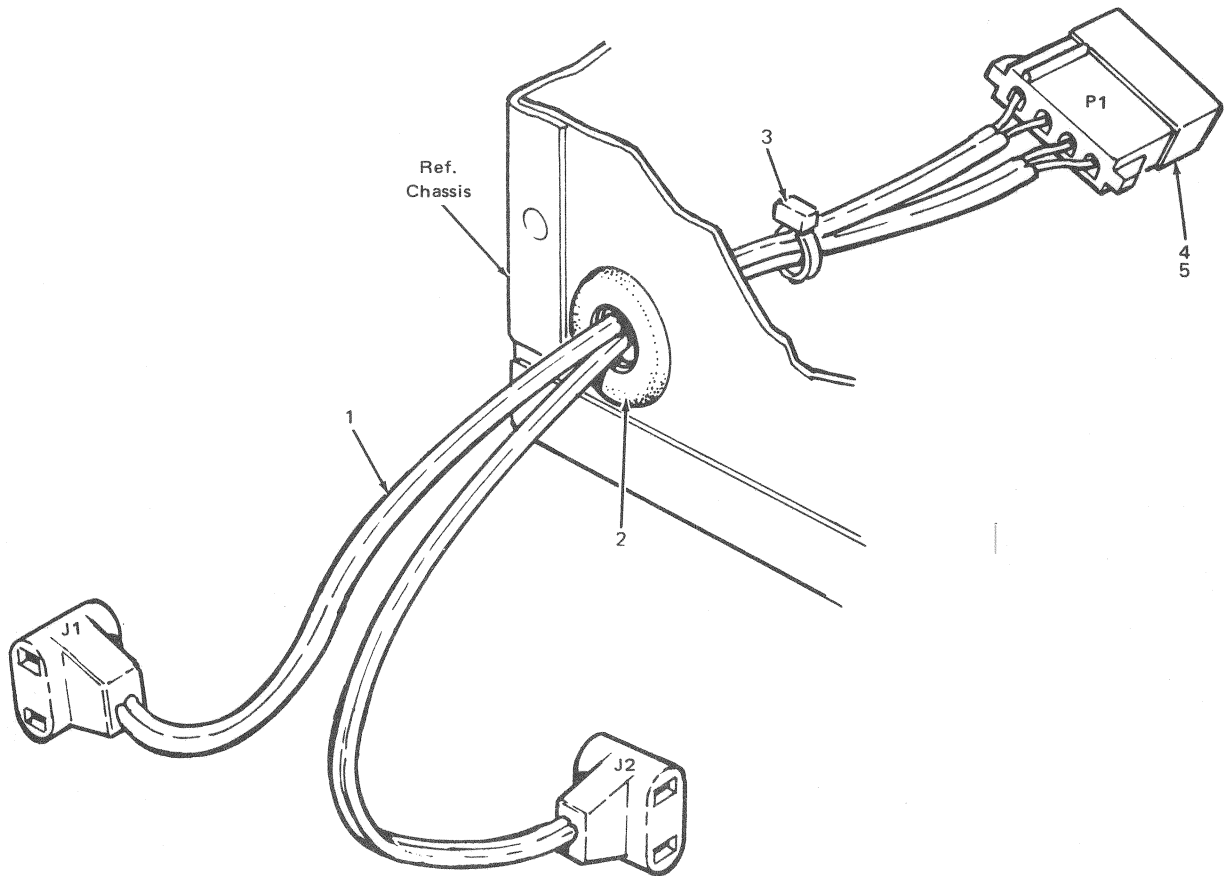


H9300-07

Figure 7. Line Set Assembly

FIG & ITEM NO.	DESCRIPTION	DEC PART NO.	ECO CUT-IN 70-10915 00002	VENDOR		REF FIG NO.
				USED ON CODE	CODE PART NO.	
7-	LINE SET ASSEMBLY 115V, 8 AMP, 60 Hz LINE SET ASSEMBLY 230V, 4 AMP, 50 Hz	70-10915-03 70-10915-04		A B		1
1	*Plate, Line Set	74-11983-00				
2	*Power Cord, 120V, 16-3	17-00006-06		A		
	*Power Cord, 240V, 18-3	17-00016-06		B		
3	*Relief, Strain	90-08492-02				
4	*Connector (J1) Socket Housing, 3 Pin Mate-N-Lok	12-09350-03				
5	*Terminal, Socket Contact	12-09379-00				
6	*Holder, Fuse, 15 AMP, 250V	90-07242-00				
7	*Fuse, 8 AMP Slow Blow (250V)	90-09698-00		A		
	*Fuse, 4 AMP Slow Blow (250V)	90-09699-00		B		
8	*Tubing, Heat Shrink	91-07305-02				
9	*Connector, Solderless	90-07927-00				
10	*Connector, Solderless	90-07929-00				
11	*Washer, External Tooth Lock No. 6	90-07649-00				
12	*Washer, Flat .375 x .156 x .032	90-06653-00				
13	*Nut Keps No. 6-32 x .31 x 1/16	90-06560-00				
14	*Connector (P1) Socket Housing, 6 Pin Mate-N-Lok	12-10821-06				
15	*Wire, No. 18 AWG. (Stranded) Yellow	91-07360-44				
16	*Wire, No. 18 AWG. (Stranded) Brown	91-07360-11				
17	*Wire, No. 18 AWG. (Stranded) Green	91-07360-55				
18	*Wire, No. 14 AWG. (Stranded) Green	91-07370-35				
19	*Decal, 115V, 8 AMP, 60 Hz	74-12193-04		A		
	*Decal, 230V, 4 AMP, 50 Hz	74-12193-03		B		

FIG & ITEM NO.	DESCRIPTION	DEC PART NO.	A ECO CUT-IN 70-09755 00001	USED ON CODE	VENDOR		REF FIG NO.
					CODE	PART NO.	
8-	FAN HARNESS ASSEMBLY	70-09755-00					1
1	*Plug-Cord Assembly (J1, J2)	12-10283-00					
2	*Grommet	90-08084-00					
3	*Cable Tie	90-07032-00					
4	*Connector (P1) Pin Housing	12-10821-04					
5	*Terminal, Pin Contact	12-09379-00					
							DEC



PDP8A-11

Figure 8. Fan Harness Assembly

REF. & ITEM NO.	DESCRIPTION	DEC. PART NO.	QTY IN STOCK	USED ON CODE	VENDOR PART NO.	REF. & ITEM NO.
1	FAN HARNESS ASSEMBLY	13 00378 00	50001			1
2	Fan Harness Assembly (U1 101)	13 10283 00				2
3	Terminal	90 0204 00				3
4	Connector (U1 101) Housing	99 07081 00				4
5	Male-Wire & Pin	12 10821 00				5
6	Female-Wire Connector	13 00378 00				6



Figure 2 Fan Harness Assembly

ILLUSTRATED PARTS BREAKDOWN COMMENT SHEET

Any and all comments and suggestions for correcting errors and/or additional information to improve this manual will be reviewed and researched for possible use when this manual is revised and/or reprinted. Enter your comments and suggestions in the form provided below and return to Technical Documentation.

MODEL _____

PUBLICATION NO. _____

FIGURE NO. _____ ITEM NO. _____
CHANGE FROM _____
CHANGE TO _____

FIGURE NO. _____ ITEM NO. _____
CHANGE FROM _____
CHANGE TO _____

FIGURE NO. _____ ITEM NO. _____
CHANGE FROM _____
CHANGE TO _____

FIGURE NO. _____ ITEM NO. _____
CHANGE FROM _____
CHANGE TO _____

FIGURE NO. _____ ITEM NO. _____
CHANGE FROM _____
CHANGE TO _____

FIGURE NO. _____ ITEM NO. _____
CHANGE FROM _____
CHANGE TO _____

ADDITIONAL COMMENT(S)

MAIL ROOM
TECHNICAL DOCUMENTATION
GENERAL INVESTIGATION

Name _____
Cost Center _____
date: _____

NO POSTAGE STAMP NECESSARY IF MAILED IN THE UNITED STATES
BUSINESS REPLY MAIL

Technical Documentation Department
12000 North Central Expressway
Dallas, Texas 75243
Attention: Technical Documentation

ILLUSTRATED PARTS BREAKDOWN
COMMENT SHEET

Any and all comments and suggestions for correcting errors and/or additional information to improve this manual will be reviewed and considered for possible use when the manual is next printed. Please include your comments and suggestions in the space provided below, and return to Technical Documentation Department.

MODEL _____
PUBLICATION NO. _____

Fold Here

FIGURE NO. _____ ITEM NO. _____
CHANGE FROM _____
CHANGE TO _____
FIGURE NO. _____ ITEM NO. _____
CHANGE FROM _____
CHANGE TO _____
FIGURE NO. _____ ITEM NO. _____
CHANGE FROM _____
CHANGE TO _____
FIGURE NO. _____ ITEM NO. _____
CHANGE FROM _____
CHANGE TO _____
ADDITIONAL COMMENTS _____

Do Not Tear - Fold Here and Staple

**FIRST CLASS
PERMIT NO. 33
MAYNARD, MASS.**

**BUSINESS REPLY MAIL
NO POSTAGE STAMP NECESSARY IF MAILED IN THE UNITED STATES**

Postage will be paid by:

Digital Equipment Corporation
Technical Documentation Department
Digital Park, PK3-2
Maynard, Massachusetts 01754

