

REVISION

This package contains changes to your IPB.

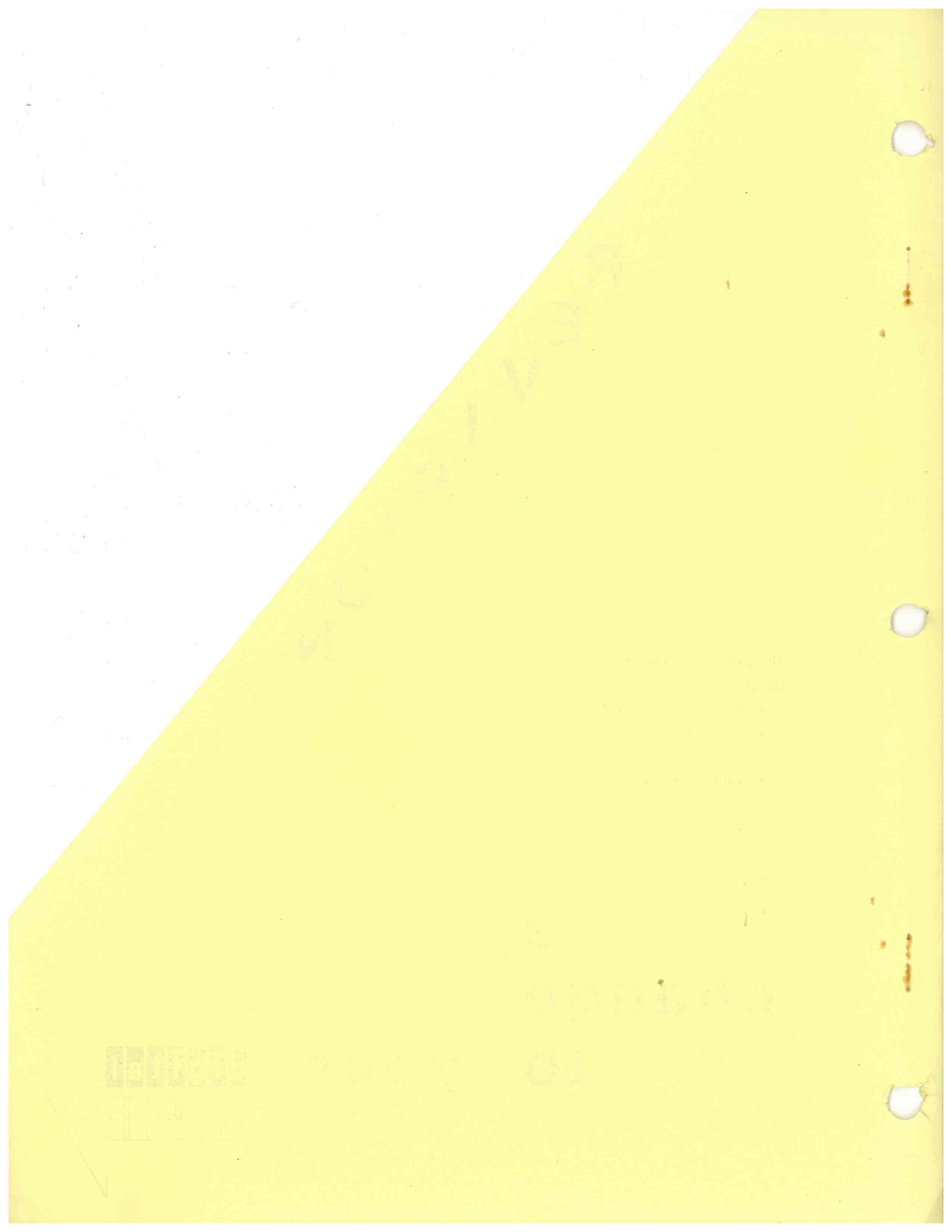
Update as follows:

- Discard the old Title Page and replace with the new one.
- Discard the affected pages and replace with the new page(s) (as noted on the new Title Page).
- Discard this page.

a
change
to your

digital
IPB





NOV 19 1964

THE UNIVERSITY OF
MICHIGAN LIBRARY
SERIALS ACQUISITION
DEPARTMENT
ANN ARBOR, MICHIGAN 48106

U. M. I.

U. M. I.

ILLUSTRATED PARTS BREAKDOWN

RK05 DISK DRIVE

HOW TO USE THE IPB

GENERAL

This IPB is compiled following the organization and nomenclature of the engineering drawing structure.

MAJOR ASSEMBLY LOCATOR

The Major Assembly Locator (first illustration) is an index that provides a description and a figure reference for all illustrations used in this manual.

INDENTED PARTS LIST

This manual identifies each assembly being broken down (figure reference callout), and all parts of that assembly. Further breakdown of an assembly is shown by an asterisk (*) preceding the item callouts in the Description Column. The number of asterisks preceding an item is used to denote the subordination of that item with respect to the Major Assembly. A single asterisk preceding an item description indicates that the item is part of the major assembly being illustrated. Items that are subordinate to single asterisks items, are denoted by two asterisks (**) and immediately follow the related single asterisk item. Additional asterisks are used, as required, to denote further subordination. This system of part identification, provides a means for the user to identify the next higher assembly item and make alternate selections for parts when the required replacement part or assembly is not immediately available.

COLUMN CALLOUT DESCRIPTION

Figure & Item — Indicates the figure number and item number of each part.

Description — Lists the name of the part and pertinent specifications (when required). Asterisks preceding the description denote the subordination of the part to the next higher assembly.

DEC Part No. — Lists the DEC part ordering number. A blank in this column indicates a DEC part number was not assigned at the time of publication.

ECO Cut-In — The notation at the top of this column indicates the ECO level of the system (option), at which the IPB was initially prepared. Subsequent ECO level designations, that modify existing parts or add new parts to the device, are inserted in the ECO Cut-In column next to the part that is added or modified. A bracket ([]) preceding the item description is used to indicate the parts affected by ECO's.

Vendor Code/Part No. — Indicates vendor parts that are not stocked by DEC. Refer to the Field Service Spares Catalog (vendor part number to DEC part number) for the vendor code cross-reference.

Used On Code — Letters in this column correspond to the variation codes assigned in Figure 1. Parts with an Alpha notation(s) are used only in those option variations. A blank indicates that the part is used on all option variations.

Ref Fig No. — A cross reference between illustrations. For each Major Assembly, the number in this column denotes the figure of the next higher assembly. For all subassemblies, the number in this column denotes the figure showing additional detailed breakdown.

SYMBOL USAGE

Hardware Designators — Alpha designators for screws (S), washers (W), nuts (N), and retaining rings (R) are inserted after the item number callouts on the illustration when stacked item numbers are used.

Attaching Hardware — The @ symbol is inserted before any part that is used as attaching hardware. Attaching hardware is denoted as those parts that are not an integral part of the referenced assembly.

(NFR) Not Field Repairable — The (NFR) symbol is inserted after any assembly that is not to be field dismantled.

Other Symbols — Any other symbols that are required for kits, accessories, etc., will be explained and appear as part of the item description.

REVISION HISTORY

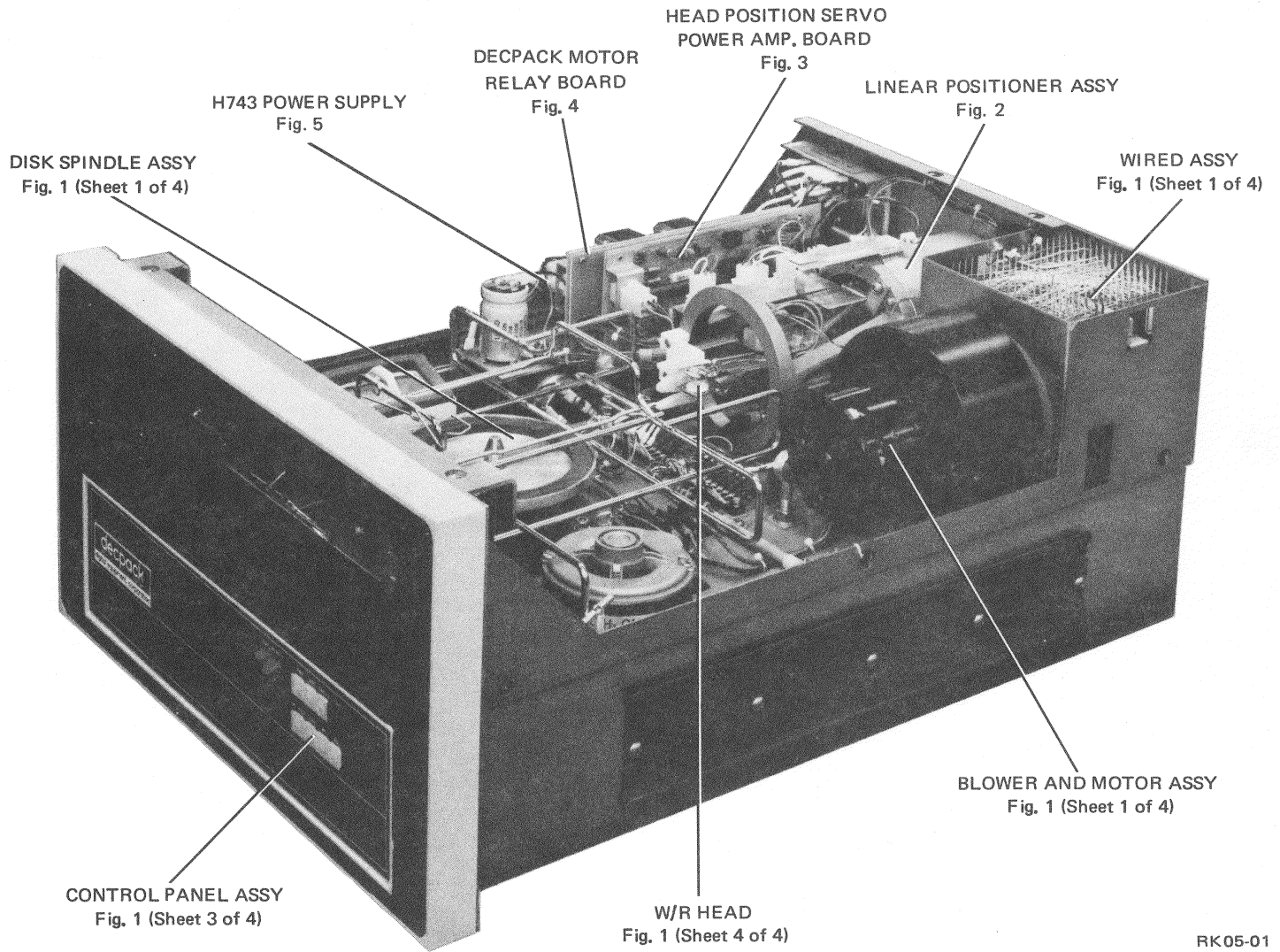
PRINTING	ECO LEVEL	DATE	PAGES AFFECTED
1st Printing	RK05 00014-00031	2-5-73	N/A
"	H743 00000-00001	"	"
"	54-09484 00000-00001	"	"
"	54-09503 00005-00006	"	"
"	54-09574 00000	"	"
"	H604 00002-00003	"	"
2nd Printing	RK05 00014-00053	9-6-74	NOTE: This 2nd Printing DEC-RK05-IPB-2 SUPERSEDES 1st Printing DEC-RK05-IPB-1
"	H743 00000-00007	"	
"	54-09484 00000-00001	"	
"	54-09503 00005-00008	"	
"	54-09574 00000-00001	"	
"	H604 00002-0003A	"	

Copyright © 1974 by Digital Equipment Corporation

DEC reserves the right, without notice, to make substitutions and modifications in the specifications of products documented in this manual and further reserves the right to withdraw any of these products from the market without notice.

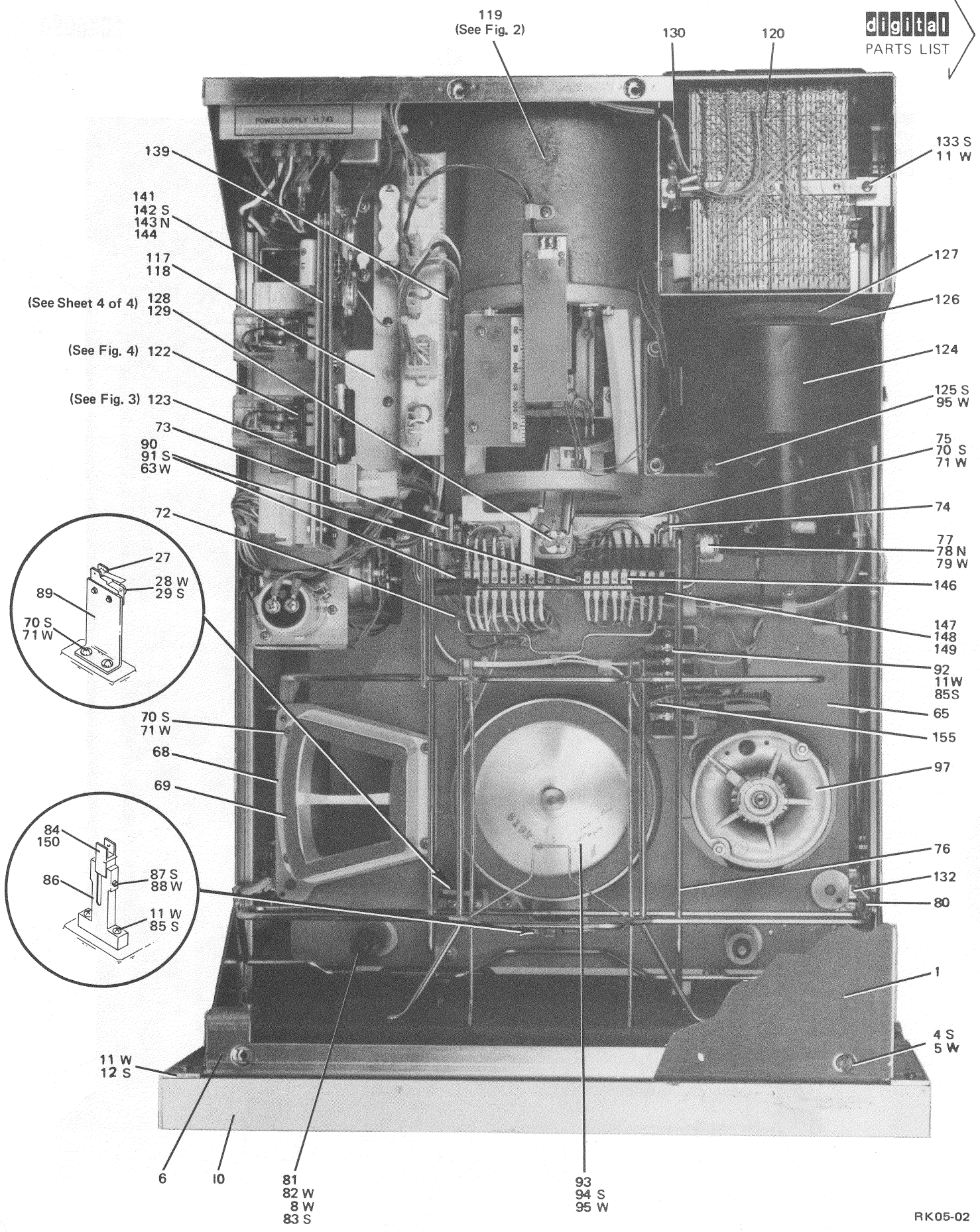
DEC is not responsible for errors which may appear in the technical description (including illustrations and photographs) of the products covered by this manual.

None of the descriptions contained in this manual imply the granting of any license whatsoever to make, use or sell equipment constructed in accordance therewith.



RK05-01

Major Assembly Locator, RK05 Disk Drive



RK05-02

Figure 1. RK05 Disk Drive Assembly (Sheet 1 of 4)

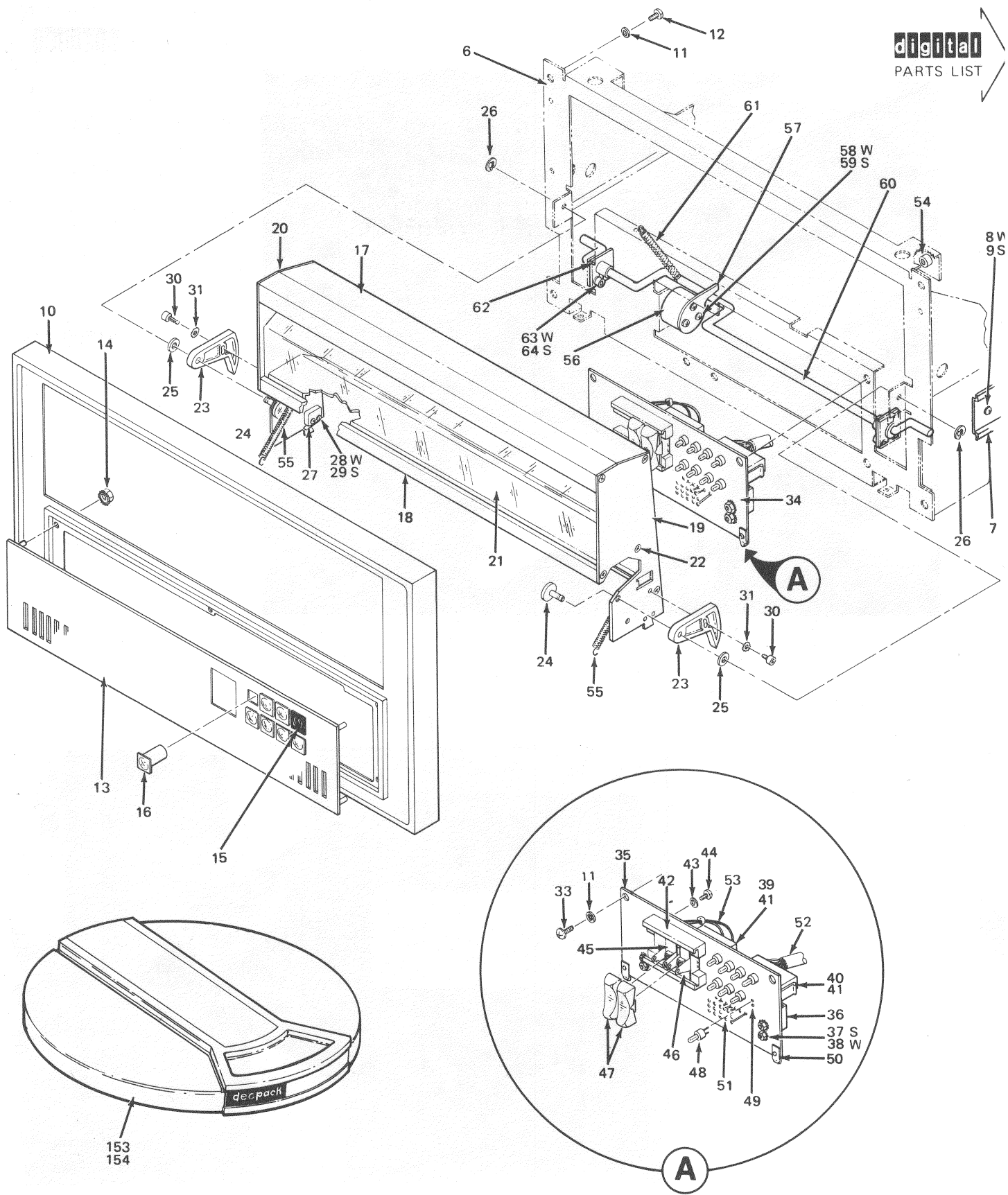
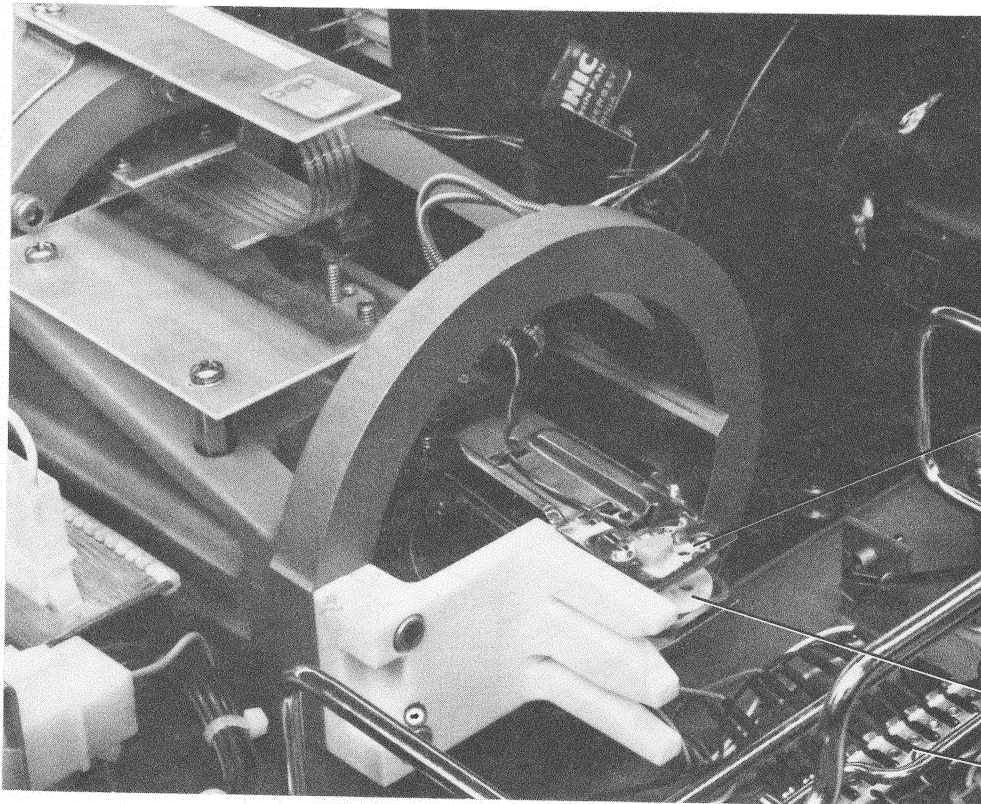


Figure 1. RK05 Disk Drive Assembly (Sheet 3 of 4)

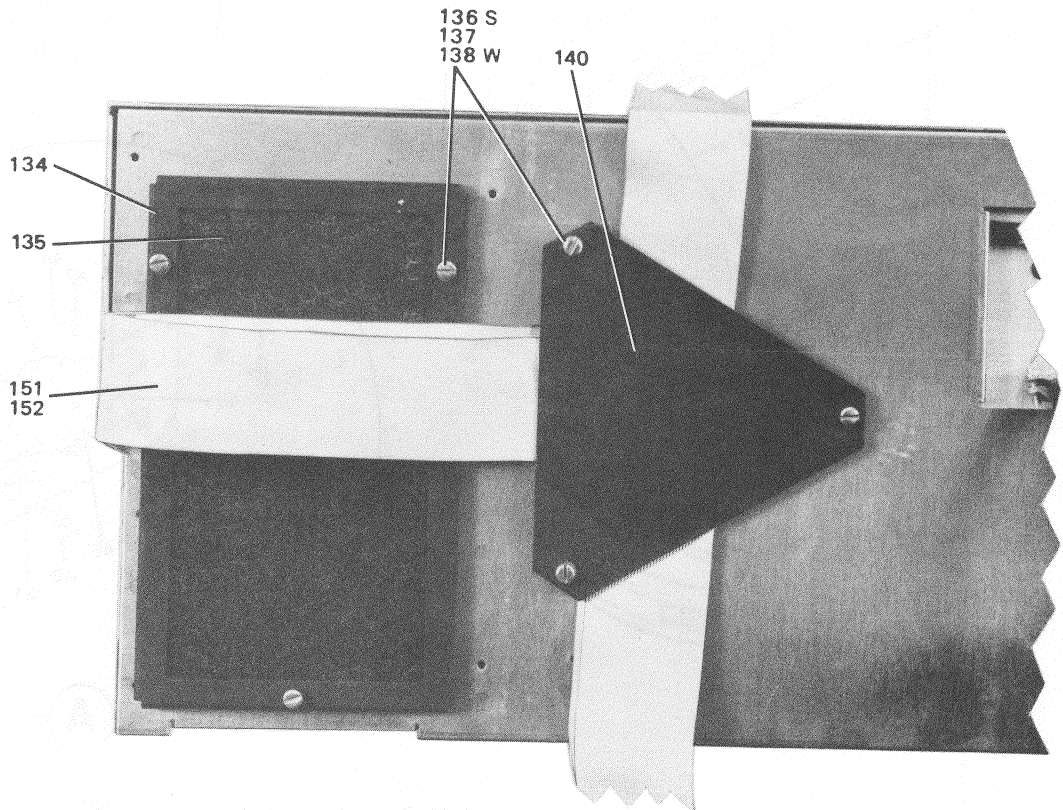
RK05-C



129 ("B" DOWN-UPPER HEAD)

128 ("B" UP-LOWER HEAD)

146



RK05-08

Figure 1. RK05 Disk Drive Assembly (Sheet 4 of 4)

FIG & ITEM NO.	DESCRIPTION	DEC PART NO.	ECO CUT-IN RK05-00014	VENDOR		REF FIG NO.
				USED ON CODE	CODE PART NO.	
1-	RK05 DISK DRIVE ASSEMBLY Code A - Used on Model RK05-AA, (60 Hz, 115V) Code B - Used on Model RK05-AB (60 Hz, 230V) Code C - Used on Model RK05-BA, (50 Hz, 115V) Code D - Used on Model RK05-BB (50 Hz, 230V)	RK05-AA RK05-AB RK05-BA RK05-BB		A B C D		
1	*Cover, Top	74-09249-00				
2	*Cover, Bottom (Front)	74-09247-00				
3	*Cover, Bottom (Rear)	74-09248-00				
4	*Screw, Flush Hd	90-09183-00				
5	*Washer, Retaining	90-09180-00				
6	*Chassis, Housing	74-09238-00				
7	*Slide, Chassis (23 inch)	12-09152-02				
8	*Washer No. 10 Int. Tooth	90-06635-00				
9	*Screw, Phl. Truss Hd. No. 10-32 x 3/8 SST	90-06073-03				
10	*Bezel (Sand Casting)	74-09217-00				
	*Bezel (Die Casting)	12-11250-00	00031			
11	*Washer, No. 6 Int. Tooth	90-06633-00				
12	*Screw, Phl. Hd. Pan No. 6-32 x 1/2 (Note: Used with Bezel (74-09217-00 Item No. 10)	90-06024-01				
	*Screw, Phl. Hd. Pan No. 6-32 x 1/2 Self Tapping (Note: Used with Bezel (12-11250-00) (Item No. 10)	90-09514-00	00031			
13	*Panel, Front	74-09207-00	00020			
14	*Nut, Kep No. 6-32	90-08185-00				
15	*Cap, Light (Red) (Old style) (deleted)	12-10798-02				
	*Cap, Light (Red) (New style with Locking Ears) (added)	12-11334-01	00046			
16	*Cap, Light (White) (Old style) (deleted)	12-10798-01				
	*Cap, Light (White) (New style with Locking Ears) (added)	12-11334-00	00046			
17	*Handle, Door	12-10667-00				
18	*Bottom, Door	12-10668-00				
19	*Side, Door R.H.	74-09135-01				
20	*Side, Door L.H.	74-09135-02				
21	*Panel, Door	74-09136-00				
22	*Screw, Phl. Flat No. 6-32 x 3/8 Self Tapping	90-09099-00				
23	*Cam	74-09169-00				
24	*Pivot	74-09164-00				
25	*Washer	74-09165-00				
26	*Ring, Retaining	90-09097-00				
27	*Switch	12-10839-00				
28	*Washer, Lock No. 2 Int. Tooth	90-06631-00				
29	*Screw, Phl. Hd. Pan No. 8-32 x 5/16 SST	90-06003-01				
30	*Screw, Soc. Hd. Cap No. 6-32 x 3/8 SST	90-08043-08				
31	*Washer, Lock No. 6 Ext. Tooth	90-07649-00				
32	*Clamp, Cable 1/8	90-07079-00				
33	*Screw, Phl. Hd. Pan No. 6-32 x 5/16 SST	90-06021-01				
34	*CONTROL PANEL ASSEMBLY	54-09698-00	00019			
35	**Board, Etched Circuit	50-09697-00				
36	**Bracket, Connector	55-09829-00				
37	**Screw, Phl. Pan Hd. No. 40-40 x 5/16 Lg.	90-06010-01				
38	**Nut, Keps No. 4-40	90-06557-00				
39	**Housing, Socket Mate-N-Lok 4 pin (J2)	12-09350-04				

FIG & ITEM NO.	DESCRIPTION	DEC PART NO.	ECO CUT-IN RK05-00014	USED ON CODE	VENDOR		REF FIG NO.
					CODE	PART NO.	
1-							
40	**Housing, Socket Mate-N-Lok 15 pin (J3)	12-09350-15					
41	**Pin Socket Mate-N-Lok	12-09456-00					
42	**Bar, Switch Mounting	55-09830-00					
43	**Washer, Lock Int.	90-06633-00					
44	**Screw, Phl. Pan Hd. No. 6-32 x 5/16 Lg.	90-06021-01					
45	**Switch, Rocker (S2)	12-05941-00					
46	**Switch, Rocker (S3)	12-05375-00					
47	**Button, Switch	12-05317-07					
48	**Lamp	12-09169-00					
49	**Terminal, Solderless	90-07812-00					
50	**Nut, Clip No. 6-32	90-08423-00					
51	**Eyelet, Feed Through	90-06731-00					
52	*HARNES ASSEMBLY (CONTROL PANEL)	70-08705-00					
53	*HARNES ASSEMBLY (CONTROL PANEL TO SWITCHES)	70-08819-00					
54	*Bumper, Screw	12-10801-00					
55	*Spring, Extension (Door)	90-09093-00					
56	*Solenoid, Rotary (Used with Items 57,58,59)	12-10806-00					
	*Solenoid, Rotary (Solenoid and Arm Combined Replaces Items 56, 57, 58, 59) (added)	12-11435-00	00038				
57	*Arm, Solenoid	74-09140-00					
58	*Washer, Lock No. 5 Split Ring	90-06691-00					
59	*Screw, Phl. Pan. Hd. No. 5-40 x 1/4 SST	90-09096-01					
60	*Lock, Door	12-10815-00					
61	*Spring, Extension (Door Lock)	90-09094-00					
62	*Clamp, Door Lock	74-09546-00					
63	*Washer, No. 4 Split Ring	90-06688-00					
64	*Screw, Soc. Hd. Cap No. 4-40 x 5/16 SST	90-08936-08					
65	*Base Plate	74-09311-00					
66	*Shock Mount	12-10843-00					
67	*Nut, Kep 5/16-18	90-06568-00					
68	*Air duct	12-10681-00	12-10681 00001				
69	*Gasket, Air duct	74-09254-00					
70	*Screw, Phl. Hd. Pan No. 8-32 x 5/16 SST	90-06036-01					
71	*Washer, No. 8 Int. Tooth	90-06634-00					
72	*Opener, Cartridge Door	12-10680-00					
73	*Ring, Retaining	90-09098-00					
74	*Spring, Torsion (Cartridge Door Opener) (deleted)	12-10844-00					
	*Spring, Torsion R.H. (added)	12-11384-00	00039				
	*Spring, Torsion L. H. (added)	12-11384-01	00039				
75	*Bracket, Cartridge Door	74-09233-00					
76	*Receiver, Cartridge	12-10679-00					
77	*Post, Pivot	12-10804-00					
78	*Nut, Hex 5/16-18	90-09213-00					
79	*Washer, .343 ID x .687 OD x .062 thk.	90-06679-00					
80	*Spring, Extension (Cartridge Receiver)	90-09092-00					
81	*Post, Cartridge Support	74-09134-00					
82	*Washer, .200 ID x .625 OD x .032 thk.	90-06668-00					
83	*Screw, Phl Hd. Truss No. 10-32 x 5/8 SST	90-06074-00					
84	*Transducer, Sector (See Note, Item 150)	30-10642-00					
85	*Screw, Phl. Hd. Pan. No. 6-32 x 5/8 SST	90-06024-01					
86	*Holder, Sector Transducer (See note, item 150)	74-09150-00					
87	*Screw Soc. Hd. Cap No. 6-32 x 5/8 SST	90-06331-08					
88	*Washer, Lock No. 6 Split Ring	90-07801-00					

FIG & ITEM NO.	DESCRIPTION	DEC PART NO.	ECO CUT-IN RK05-00014	USED ON CODE	VENDOR		REF FIG NO.
					CODE	PART NO.	
1-							
89	*Bracket, Switch	74-09258-00					
90	*Strip Terminal (TB1, TB2)	12-10685-00					
91	*Screw, Soc. Hd. Cap No. 4-40 x 1/2 SST	90-08041-08					
92	*Strip, Terminal (TB4)	90-06905-00					
93	*DISK SPINDLE ASSEMBLY (NFR) (Brush assy. item 94 supplied with spindle)	12-10616-00					
94	*Screw, Soc. Hd. Cap 1/4-20 x 3/4 SST (For Attaching Disk Spindle to Base)	90-06372-08					
95	*Washer, Lock 1/4 Split Ring (For Attaching Disk Spindle to Base)	90-07797-00					
96	*Brush Assembly	12-10985-00					
97	*Motor, Induction 50/60 Hz	12-10808-00					
98	*Plate, Motor Mounting	74-09143-00					
99	*Washer, Lock No. 8 Split Ring	90-06690-00					
100	*Screw, Soc. Hd. Cap No. 8-32 x 1/2 SST (For Attaching Motor to Plate)	90-06338-08					
101	*Screw, Soc. Hd. Cap No. 8-32 x 3/4 SST (For Attaching Plate to Base)	90-06042-01					
102	*Pulley, Motor 60 Hz	74-09418-01		A,B			
103	*Pulley, Motor 50 Hz	74-09418-02		C,D			
104	*Belt, Woven	12-10812-00					
105	*Bracket, Spring	74-09508-00					
106	*Spring, Extension (Belt Tension)	90-09095-00					
107	*Relay, Motor Starting	12-10800-00					
108	*Screw, Phl. Hd. Pan. No. 6-32 x 1/4 SST	90-06020-01					
109	*Capacitor, 5MFD 370V (with Clamp)	10-09397-00					
110	*Cover, Insulation (cap)	90-08164-00					
111	*Receptacle, Threaded 1/4 Turn Fastener (deleted)	90-09167-00					
	*Receptacle, Press-in 1/4 Turn Fastener (added)	90-09550-00	00042				
112	*Filter, Absolute	12-10803-00					
113	PLENUM COVER ASSEMBLY	74-09232-00					
114	**Fastener, 1/4 Turn (deleted)	90-08343-00					
	**Fastener, 1/4 Turn Southco 82-11-240-16 (added)	90-08255-00	00042				
	**Washer, Wear Southco 82-11-101-39	90-09146-00					
	** Retainer, Split Ring Southco 82-32-101-17	90-08200-00					
115	*Washer, Wear	90-09146-00					
116	*Retainer, Split Ring	90-08200-00					
117	*POWER SUPPLY ASSEMBLY H743, 115V 60 Hz	H743-AA		A,C			5
118	*POWER SUPPLY ASSEMBLY H743, 230V 60 Hz	H743-AB		B,D			5
119	*LINEAR, POSITIONER ASSEMBLY	70-08702-00					2
120	*WIRED ASSEMBLY	70-08696-00					
	**Capacitor, 1000 MMF 250V 20% (added) (Pin B08F2 to B08C2)	10-00043-00	00026				
	**Capacitor, 1000 MMF 250V 20% (added) (Pin A02C1 to A01T1)	10-00043-00	00045				
	**Terminal, Amp No. 8592	90-07655-00					
121	*Bushing, Motor Mount	74-09256-00					
122	*DECPACK MOTOR RELAY BOARD ASSEMBLY	54-09574-00					4
123	*HEAD POSITION SERVO POWER AMPLIFIER BOARD ASSEMBLY	H-604-00	H604-00002				3

FIG & ITEM NO.	DESCRIPTION	DEC PART NO.	ECO CUT-IN RK05-00014	USED ON CODE	VENDOR CODE	PART NO.	REF FIG NO.
1-							
124	*BLOWER AND MOTOR ASSEMBLY	12-10807-00					
125	*Screw, Soc. Hd. Cap 1/4-20 x 1/2 SST	90-06370-08					
126	*Inlet Ring, Blower	12-11167-00					
127	*Seal, Inlet Ring	74-10547-00					
128	*Head, W/R "B" Up (Lower Head)	30-10863-01					
129	*Head, W/R "B" Down (Upper Head)	30-10863-02					
130	*Harness, Logic	70-08703-00					
131	*Grommet 1/16	90-07035-00					
132	*Bracket, Spring (Cartridge Receiver)	74-10622-00					
133	*Screw, Ph. Hd. Pan 6-32 x 3/4 SST	90-06026-01					
134	*Cover, Pre-Filter	74-10512-00					
135	*Pad, Filter	74-09253-00					
136	*Screw, Captive	90-08372-01					
137	**O" Ring 1/8 x 1/4	90-07835-00					
138	*Washer, No. 6 Nylon .156 x .312 x .032	90-06707-00					
139	*Harness, (Power Supply to Control Panel)	70-08706-00					
140	*Clamp, Cable Plate	74-10515-00					
141	*Shield, Shock (Relay Board)	74-09469-00					
142	*Screw, Phl. Pan Hd. No. 4-40 x 3/8 (deleted)	90-06011-01					
	*Screw, Phl. Pan Hd. No. 4-40 x 7/16 (added)	90-06012-01	00031				
143	*Nut, Kep No. 4-40	90-06557-00					
144	*Spacer, 3/16 AF x 1/8 Lg. x No. 4 Hole	90-06791-00					
145	*Ground Strap	90-06990-00					
146	*Connector, Solderless (For TB1 and TB2) Amp	90-09106-00					
147	*Sleeve, Rubber (added)	74-11271-00	00041				
148	*Loctite, ISO6 (Use to adhere item 147 to item 76)	49-01094-00	00041				
149	*Accelerator (For adhesive item 148)	49-01106-00	00041				
150	*Transducer, Sector Optical (added) (Replaces items 84, 86, 87, 88 as a single interchangeable part)	30-10642-01	00051				
151	†Cable, Unibus (NFR) (PDP-11 Accessory Cable)	BC11A-06					
152	†Cable, Control (NFR) (PDP-8E Accessory Cable)	70-09026-00					
153	†Disk Cartridge (12 Slot Hub)	30-10350-00					
154	†Disk Cartridge (16 Slot Hub)	30-10350-02					
155	*Varistor, VP 130A10 (D1-TB4-3 to TB4-6) (D2-TB4-5 to TB4-6)	11-10997-00					
156	*Screw, Soc. Set No. 8-32 x 3/16 (For Pulley items 102, 103)	90-06300-10					
157	*Loctite, No. TL-242 (For item 156)	49-01093-00					
	ACCESSORY LIST						
	†Head Cleaning Kit	22-00007-00					
	†Shipping Bracket (LH)	74-09691-01					
	†Shipping Bracket (RH)	74-09691-02					
	†Drive Identification Numbers (Set of 8 numbers 0 thru 7) (added)	36-11382-00	00040				
	†Alignment Pack	RK05-AC					
	†Head Insertion Tool	29-20620-00					
	†Plastic Storage Bag for Disk Pack	12-11642-00					
	†Terminator Module	M930					

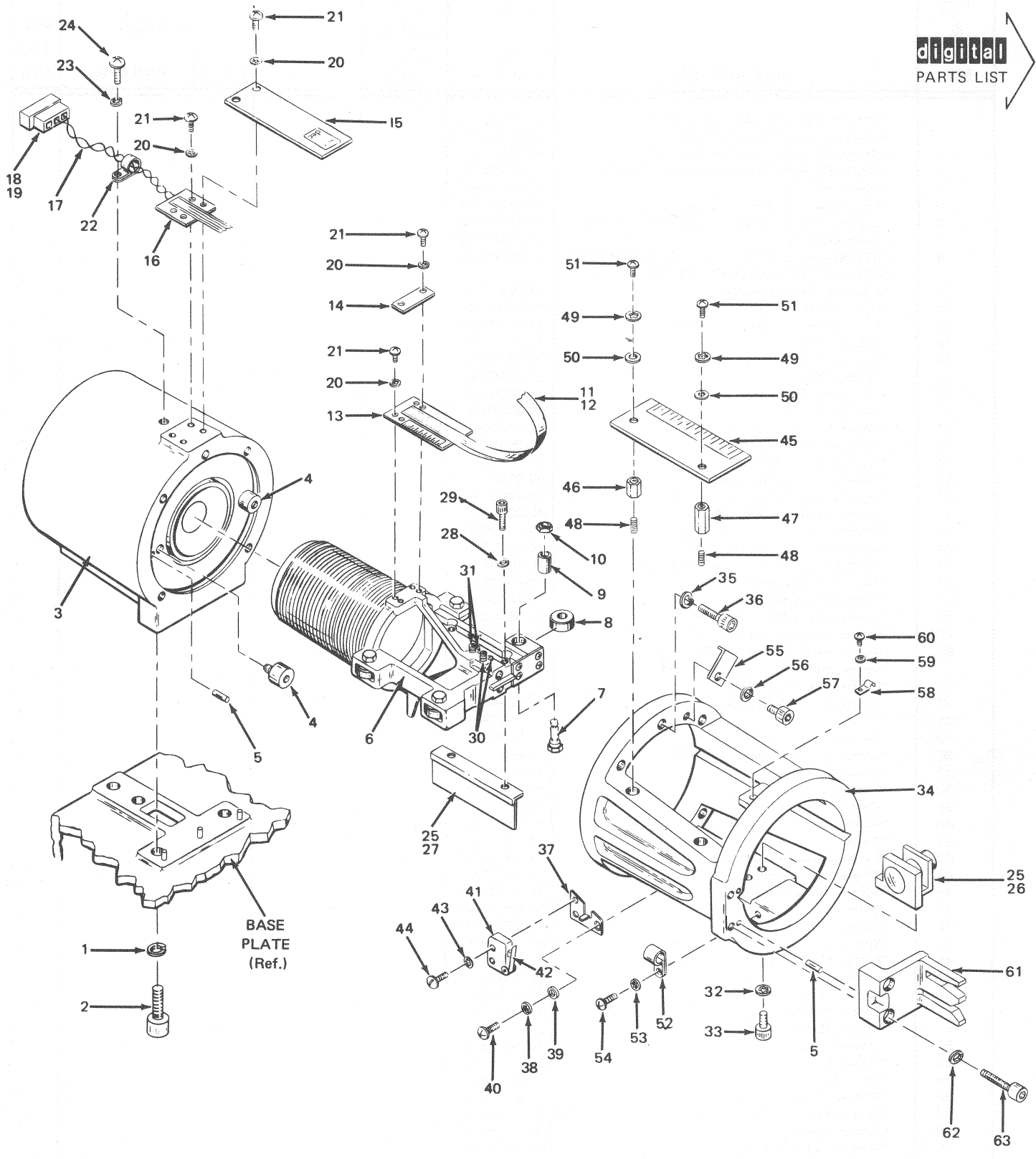
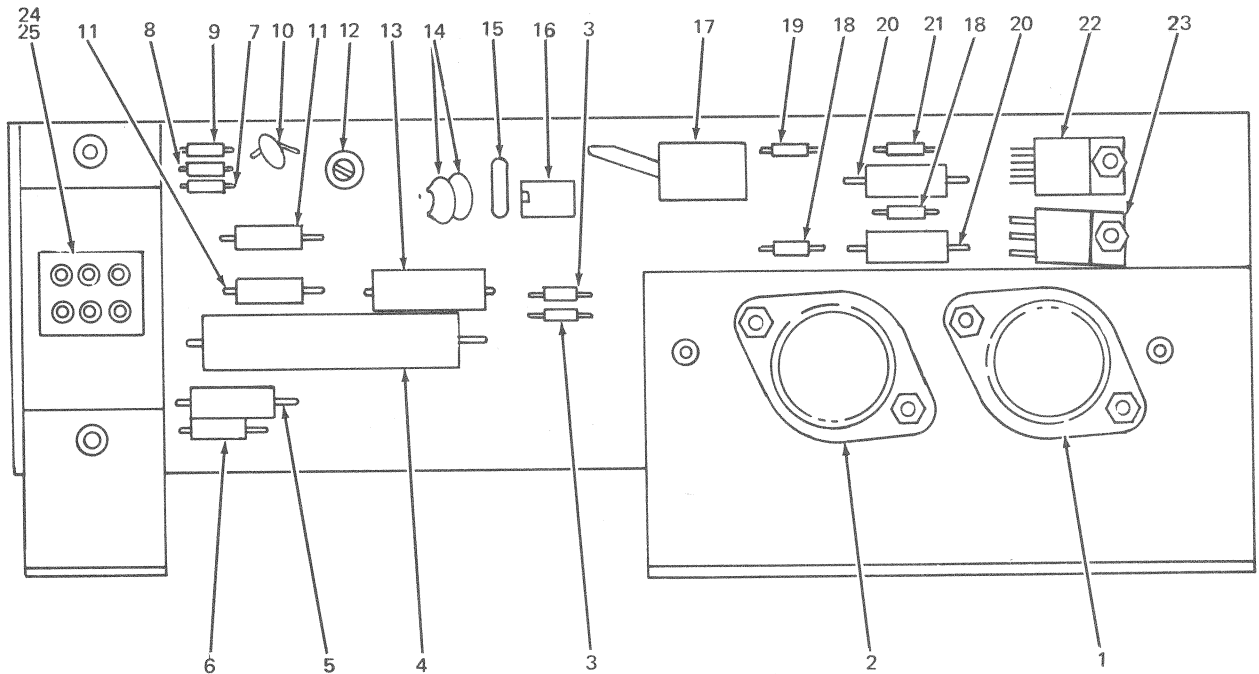


Figure 2. Linear Positioner Assembly

RK05-05

FIG & ITEM NO.	DESCRIPTION	DEC PART NO.	ECO CUT-IN	USED ON CODE	VENDOR		REF FIG NO.
			RK05-00014		CODE	PART NO.	
2-	LINEAR POSITIONER ASSEMBLY	70-08702-00					1
1	@Washer, Lock, 1/4 Split Ring	90-07797-00					
2	@Screw, Soc. Hd. Cap. 1/4-20 x 7/8	90-06371-08					
3	*MAGNET HOUSING ASSEMBLY (NFR)	74-10708-00					
4	*Screw, Bumper	12-10801-00					
5	*Pin, Dowel 1/8 Dia. x 1/2 Lg.	90-08106-00					
6	*CARRIAGE AND COIL ASSEMBLY (NFR)	74-10707-00					
7	*Shaft, Bearing	74-09142-00					
8	*BEARING ASSEMBLY (ALL (4) BEARINGS MUST BE REPLACED AT THE SAME TIME)	74-09386-00					
9	*Bushing, Bearing Holder	74-09239-00					
10	*Nut, Hex No. 6-32 S.S.	90-08957-00					
11	*FLEX STRIP CABLE ASSEMBLY	70-08707-00					
12	**Strip, Flex	17-00017-00					
13	**Support, Flex Strip	50-09940-02					
14	**Clamp, Flex Strip	74-09404-00					
15	**Support, Flex Strip	74-09366-00					
16	**Support, Flex Strip	50-09940-01					
17	**Wire, 18 AWG Blk/Red TWP	91-07330-02					
18	**Connector, Mate-N-Lock, 3 pin	12-09351-03					
19	**Contact, Pin (Male)	12-09378-01					
20	**Washer, Lock, No. 2 Int. Tooth	90-06631-00					
21	**Screw, No. 2-56 x 1/4, Phl. Pan. Hd.	90-06001-01					
22	*Clamp, Cable, Nylon 1/8 Dia.	90-07079-00					
23	*Washer, Lock No. 8 Split Ring	90-06690-00					
24	*Screw, Phl. Pan Hd. No. 8-32 x 1/4 SST	90-06035-01					
25	*LINEAR TRANSDUCER ASSEMBLY	30-10638-00					
26	**Block, Transducer	30-10638-01					
27	**Scale, Transducer Glass	30-10638-02					
28	*Washer, Lock No. 4, Split Ring	90-06688-00					
29	*Screw, Soc. Hd. Cap No. 4-40 x 1/2 SST	90-08042-03					
30	*Screw, Self-Locking Soc. Hd. Set	12-10811-00					
31	*Screw, Self-Locking Soc. Hd. Set	12-11027-00					
32	*Washer, No. 6 Int. Tooth	90-06633-00					
33	*Screw, Soc. Hd. Cap No. 6-32 x 3/8 SST	90-08045-08					
34	*Slide	74-09208-00					
35	*Washer, Lock No. 10 Split Ring	90-07906-00					
36	*Screw, Soc. Hd. Cap No. 10-32 x 7/8 SST	90-06349-08					
37	*Bracket, Switch	74-09304-00					
38	*Washer, No. 2 Int. Tooth	90-06631-00					
39	*Washer, No. 4 Flat	90-08172-00					
40	*Screw, Phl. Pan Hd. No. 2-56 x 1/4 SST	90-06001-01					
41	*Switch	12-10838-01					
42	*Lever, Switch Actuator	12-10838-02					
43	*Washer, Int. Tooth	90-06631-00					
44	*Screw, Slotted Rd. Hd.	90-06005-01					
45	*Scale	50-09941-00					
46	*Spacer, 3/8 Lg.	90-06844-00					
47	*Spacer, 3/4 Lg.	90-06859-00					
48	*Screw, Soc. Set No. 6-32 x 3/8 Lg.	90-06293-10					
49	*Washer, No. 6 Int. Tooth	90-06633-00					
50	*Washer, Flat	90-06653-00					
51	*Screw, Phl. Pan Hd. No. 6-32 x 5/16 SST	90-06021-01					
52	*Clamp, Cable	90-07080-00					
53	*Washer, No. 6 Int. Tooth	90-06633-00					
54	*Screw, Phl. Pan Hd. No. 6-32 x 5/16 SST	90-06021-01					
55	*Strap, Carriage Shipping	74-09368-00					
56	*Washer, Lock No. 10 Split Ring SST	90-07906-00					
57	*Screw, Soc. Hd. Cap No. 10-32 x 3/8 SST	90-06345-08					
58	*Clamp, Cable	74-09326-00					
59	*Washer, No. 2 Int. Tooth	90-06631-00					
60	*Screw, Phl. Pan Hd. No. 2-56 x 1/4 SST	90-06001-00					
61	*DUCK BILL	12-10744-00	12-10744-00001				
62	*Washer, Lock No. 8 Split Ring	90-06690-00					
63	*Screw, Soc. Hd. Cap No. 8-32 x 3/4 SST	90-06340-08					

FIG & ITEM NO.	DESCRIPTION	DEC PART NO.	ECO CUT-IN H604 00002	USED ON CODE	VENDOR CODE	PART NO.	REF FIG NO.
3-	HEAD POSITION SERVO POWER AMPLIFIER ASSEMBLY (ETCH REV J)	H604-00					1
1	*Transistor (Q3) 2N3791	15-09581-00					
2	*Transistor (Q4) 2N3715	15-03068-00					
3	*Resistor (R3, R14) 22 Ohms 1/4W 10%	13-00188-00					
4	*Resistor (R13) .1 Ohms 10W 1%	13-09108-00					
5	*Resistor (R11) 200 Ohms 1W 5%	13-02382-00					
6	*Resistor (R12) 10 Ohms .5W 5%	13-00168-00					
7	*Resistor (R4) 1K Ohms 1/4W 5%	13-00365-00					
8	*Resistor (R2) 2K Ohms 1/4W 5%	13-02388-00					
9	*Resistor (R1) 470 Ohms 1/4W 5% (obsolete) *Resistor (R1) 1K Ohms 1/4W 5% (added)	13-00316-00 13-00365-00	00003				
10	*Thermistor (R16) 1K 10% (obsolete) (Replaced with Jumper)	13-10071-00	00003				
11	*Capacitor (C3, C4) 15 UF 20V 10%	10-04812-00					
12	*Potentiometer (R15) 2K 1/2W 10%	13-09410-00					
13	*Capacitor (C5) .1 UF 100V 10%	10-02342-00					
14	*Capacitor (C1, C2) .01 UF 100V 20%	10-01610-00					
15	*Capacitor (C6) 33 PF 100V 5%	10-00009-00					
16	*IC (E1) Dec 301	19-10282-00					
17	*Switch, Toggle (S1) T-8001	12-10209-00					
18	*Resistor (R9, R10) 100 Ohms .25W 10%	13-00231-00					
19	*Resistor (R5) 220 Ohms .25W 10%	13-00275-00					
20	*Resistor (R7, R8) 3 Ohms .5W 5%	13-01643-00					
21	*Resistor (R6) 1.2K Ohms .25W 10%	13-00366-00					
22	*Transistor (Q1) D44C8 or TIP 31A	15-10421-00					
23	*Transistor (Q2) D45C6	15-10414-00					
24	*Housing, Socket, 6 pin (Mate-N-Lok)	12-09350-06					
25	*Pin, Housing (Mate-N-Lok)	12-09456-00					



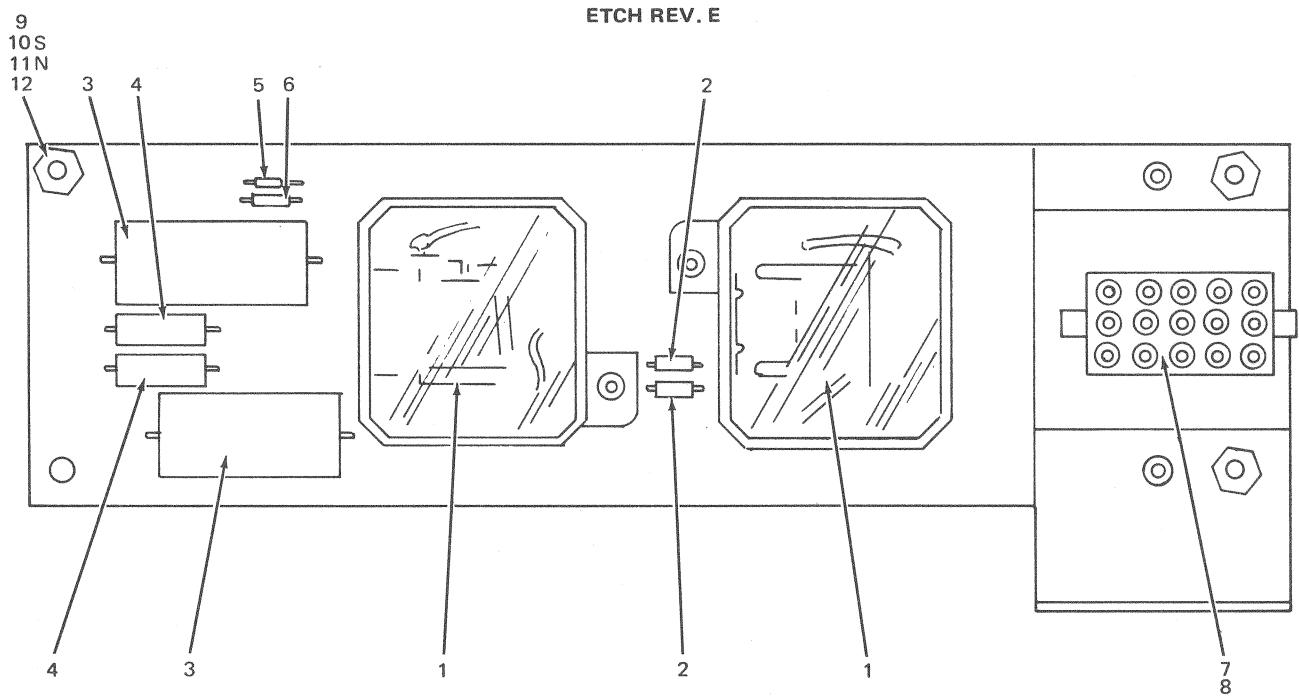
ETCH REV. J

RK05-06

Figure 3. Head Position Servo Power Amplifier Assembly (Etch Rev. J)

Date	Description	Amount	Balance
1912			
1913			
1914			
1915			
1916			
1917			
1918			
1919			
1920			
1921			
1922			
1923			
1924			
1925			
1926			
1927			
1928			
1929			
1930			
1931			
1932			
1933			
1934			
1935			
1936			
1937			
1938			
1939			
1940			
1941			
1942			
1943			
1944			
1945			
1946			
1947			
1948			
1949			
1950			
1951			
1952			
1953			
1954			
1955			
1956			
1957			
1958			
1959			
1960			
1961			
1962			
1963			
1964			
1965			
1966			
1967			
1968			
1969			
1970			
1971			
1972			
1973			
1974			
1975			
1976			
1977			
1978			
1979			
1980			
1981			
1982			
1983			
1984			
1985			
1986			
1987			
1988			
1989			
1990			
1991			
1992			
1993			
1994			
1995			
1996			
1997			
1998			
1999			
2000			
2001			
2002			
2003			
2004			
2005			
2006			
2007			
2008			
2009			
2010			
2011			
2012			
2013			
2014			
2015			
2016			
2017			
2018			
2019			
2020			
2021			
2022			
2023			
2024			
2025			
2026			
2027			
2028			
2029			
2030			
2031			
2032			
2033			
2034			
2035			
2036			
2037			
2038			
2039			
2040			
2041			
2042			
2043			
2044			
2045			
2046			
2047			
2048			
2049			
2050			
2051			
2052			
2053			
2054			
2055			
2056			
2057			
2058			
2059			
2060			
2061			
2062			
2063			
2064			
2065			
2066			
2067			
2068			
2069			
2070			
2071			
2072			
2073			
2074			
2075			
2076			
2077			
2078			
2079			
2080			
2081			
2082			
2083			
2084			
2085			
2086			
2087			
2088			
2089			
2090			
2091			
2092			
2093			
2094			
2095			
2096			
2097			
2098			
2099			
2100			

FIG & ITEM NO.	DESCRIPTION	DEC PART NO.	ECO CUT-IN 54-09574-00000	USED ON CODE	VENDOR		REF FIG NO.
					CODE	PART NO.	
4-	DECPACK MOTOR RELAY BOARD ASSEMBLY (ETCH REV E)	54-09574-00					1
1	*Relay (K1, K2) 3 Pole, 12V 10A	12-10683-00					
2	*Diode (D4, D5) D003	11-00100-00					
3	*Arc Suppressor (Thyrector) (D2, D3) 6RS20SP4B4	11-00106-00					
4	*Resistor (R1, R2) 27 Ohms 1W 5%	13-01516-00					
5	*Diode, (D1) D672	11-05275-00					
6	*Resistor (R3) 1K Ohms 1/4W 5% (deleted)	13-00365-00					
	*Resistor (R3) 750 Ohms 1/4W 5% (added)	13-01401-00	00001				
7	*Housing, Socket (Mate-N-Lok) 15 pin	12-09350-15					
8	*Pin Housing (Mate-N-Lok)	12-09456-00					
9	@Shield, Shock	74-09469-00					
10	@Screw, Phi Pan Hd No. 4-40 x 3/8	90-06011-01					
11	@Nut, Kep No. 4-40	90-06557-00					
12	@Spacer, 3/16 AF x 1/8 Lg. x No. 4 Hole	90-06791-00					

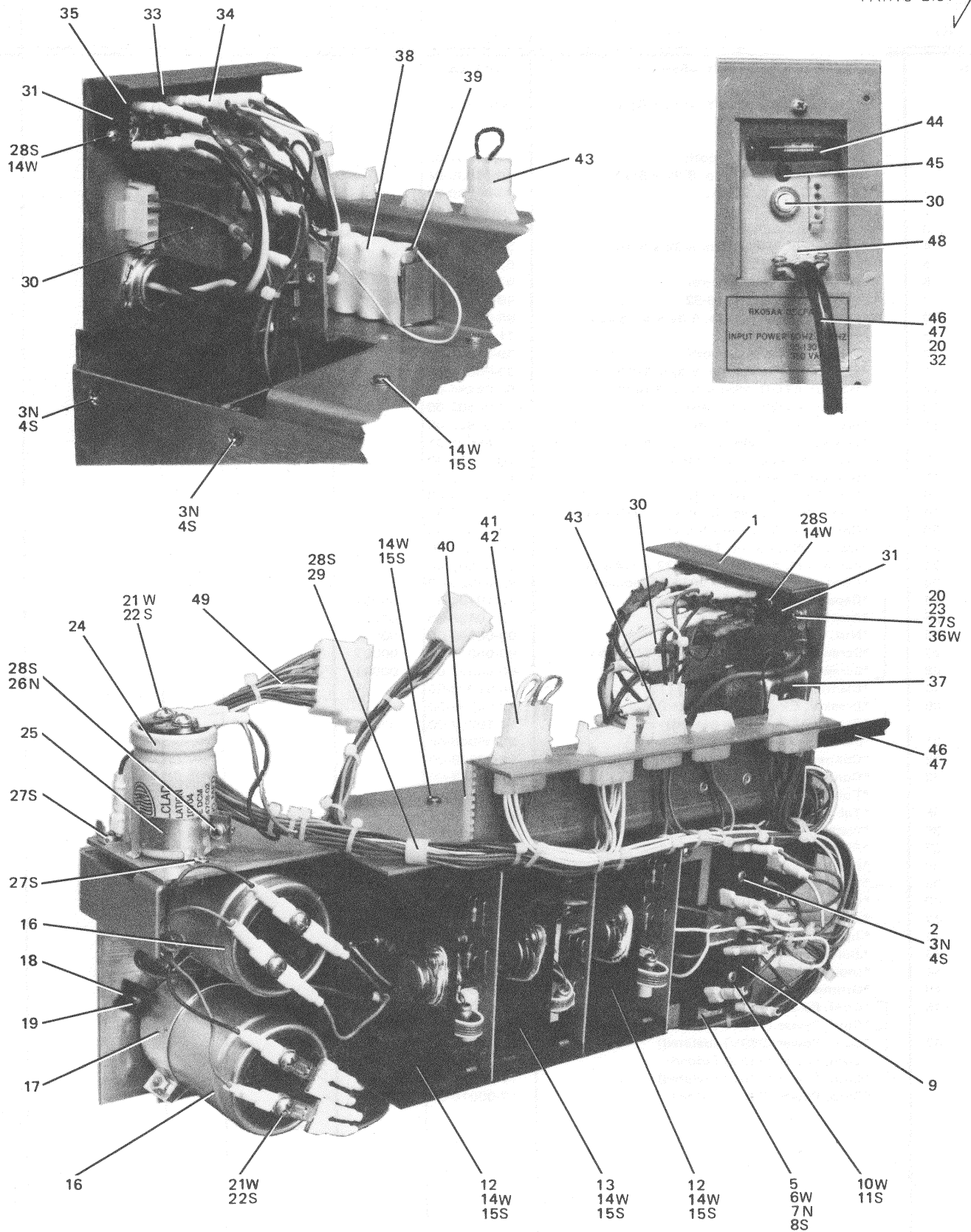


RK05-07

Figure 4. Dec Pack Motor Relay Board Assembly (Etch Rev. E)

Date	Description	Debit	Credit	Balance
1901				
1902				
1903				
1904				
1905				
1906				
1907				
1908				
1909				
1910				
1911				
1912				
1913				
1914				
1915				
1916				
1917				
1918				
1919				
1920				
1921				
1922				
1923				
1924				
1925				
1926				
1927				
1928				
1929				
1930				
1931				
1932				
1933				
1934				
1935				
1936				
1937				
1938				
1939				
1940				
1941				
1942				
1943				
1944				
1945				
1946				
1947				
1948				
1949				
1950				
1951				
1952				
1953				
1954				
1955				
1956				
1957				
1958				
1959				
1960				
1961				
1962				
1963				
1964				
1965				
1966				
1967				
1968				
1969				
1970				
1971				
1972				
1973				
1974				
1975				
1976				
1977				
1978				
1979				
1980				
1981				
1982				
1983				
1984				
1985				
1986				
1987				
1988				
1989				
1990				
1991				
1992				
1993				
1994				
1995				
1996				
1997				
1998				
1999				
2000				
2001				
2002				
2003				
2004				
2005				
2006				
2007				
2008				
2009				
2010				
2011				
2012				
2013				
2014				
2015				
2016				
2017				
2018				
2019				
2020				
2021				
2022				
2023				
2024				
2025				
2026				
2027				
2028				
2029				
2030				
2031				
2032				
2033				
2034				
2035				
2036				
2037				
2038				
2039				
2040				
2041				
2042				
2043				
2044				
2045				
2046				
2047				
2048				
2049				
2050				
2051				
2052				
2053				
2054				
2055				
2056				
2057				
2058				
2059				
2060				
2061				
2062				
2063				
2064				
2065				
2066				
2067				
2068				
2069				
2070				
2071				
2072				
2073				
2074				
2075				
2076				
2077				
2078				
2079				
2080				
2081				
2082				
2083				
2084				
2085				
2086				
2087				
2088				
2089				
2090				
2091				
2092				
2093				
2094				
2095				
2096				
2097				
2098				
2099				
2100				

Date	Description	Debit	Credit	Balance
1901				
1902				
1903				
1904				
1905				
1906				
1907				
1908				
1909				
1910				
1911				
1912				
1913				
1914				
1915				
1916				
1917				
1918				
1919				
1920				
1921				
1922				
1923				
1924				
1925				
1926				
1927				
1928				
1929				
1930				
1931				
1932				
1933				
1934				
1935				
1936				
1937				
1938				
1939				
1940				
1941				
1942				
1943				
1944				
1945				
1946				
1947				
1948				
1949				
1950				
1951				
1952				
1953				
1954				
1955				
1956				
1957				
1958				
1959				
1960				
1961				
1962				
1963				
1964				
1965				
1966				
1967				
1968				
1969				
1970				
1971				
1972				
1973				
1974				
1975				
1976				
1977				
1978				
1979				
1980				
1981				
1982				
1983				
1984				
1985				
1986				
1987				
1988				
1989				
1990				
1991				
1992				
1993				
1994				
1995				
1996				
1997				
1998				
1999				
2000				
2001				
2002				
2003				
2004				
2005				
2006				
2007				
2008				
2009				
2010				
2011				
2012				
2013				
2014				
2015				
2016				
2017				
2018				
2019				
2020				
2021				
2022				
2023				
2024				
2025				

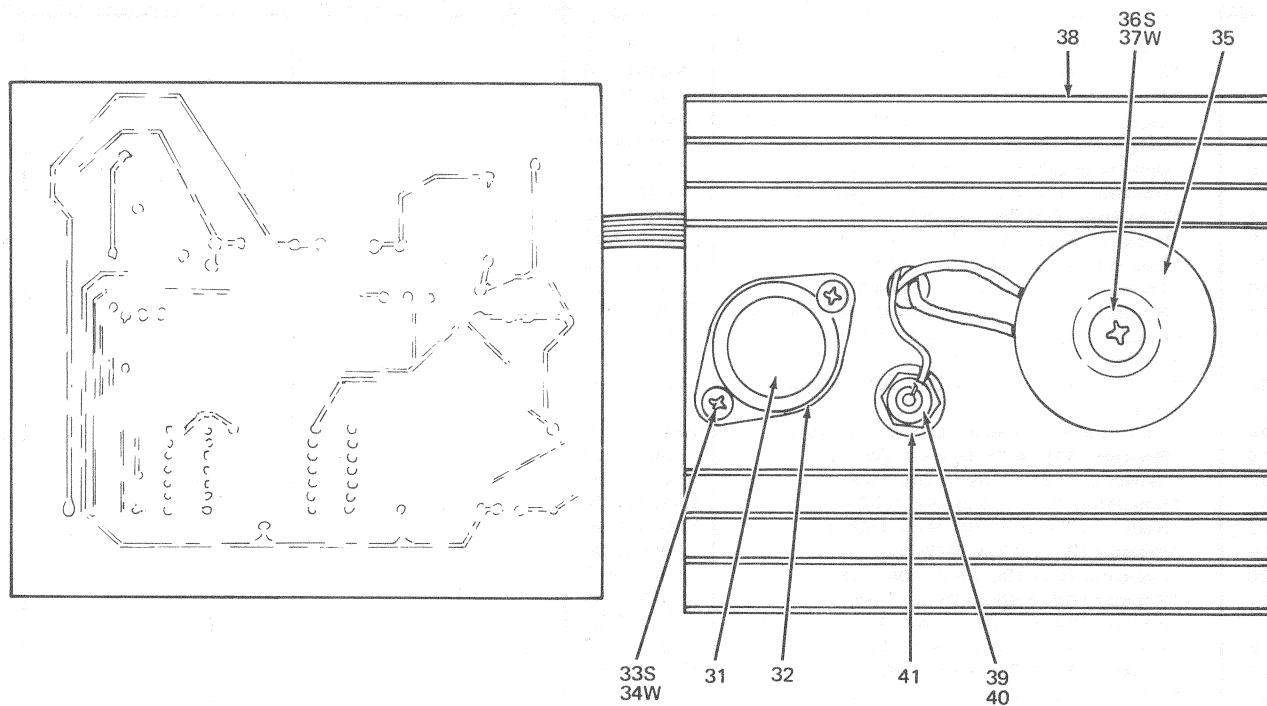


RK05-09

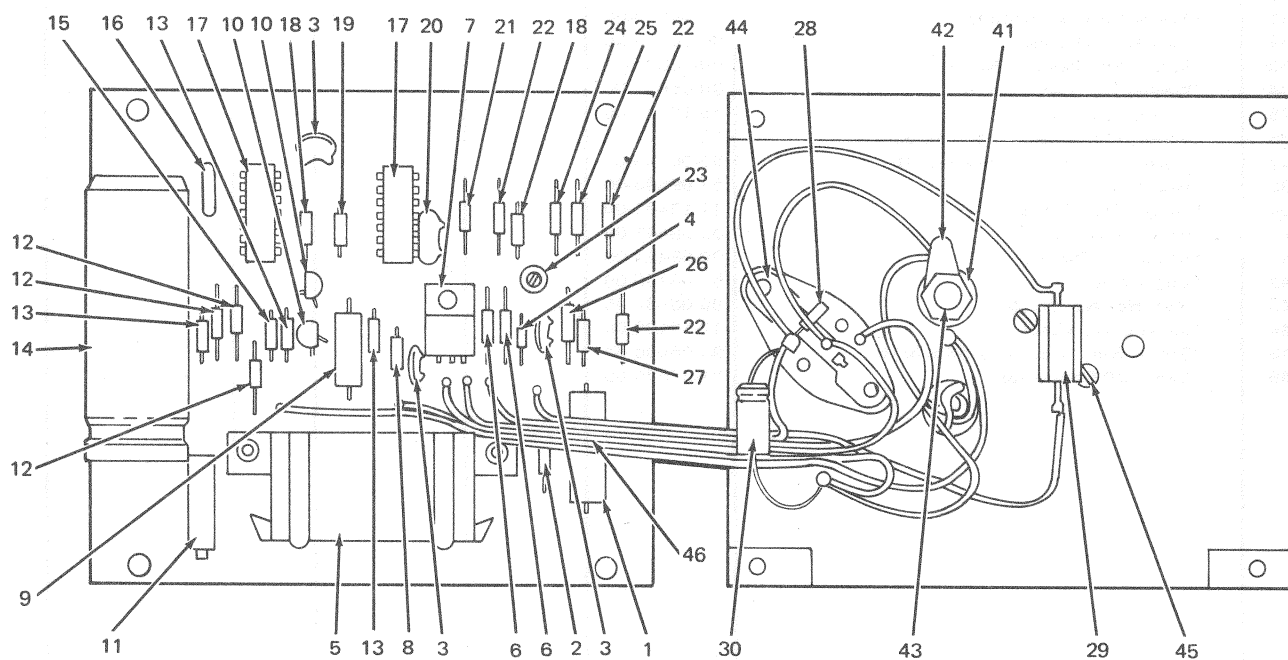
Figure 5. H743 Power Supply Assembly

FIG & ITEM NO.	DESCRIPTION	DEC PART NO.	ECO CUT-IN H743-00000	USED ON CODE	VENDOR CODE	VENDOR PART NO.	REF FIG NO.
5-	H743 POWER SUPPLY ASSEMBLY 115V 60 Hz	H743-AA		A			1
	H743 POWER SUPPLY ASSEMBLY 230V 60 Hz	H743-BB		B			
	@Washer, No. 8 Int. Tooth	90-06634-00					
1	@Screw, Phi Hd Pan No. 8-32 x 5/16 SST	90-06036-01					
2	*Bracket, Power Supply	53-09790-00					
3	*Transformer	16-10511-00					
4	*Nut, Kep No. 6-32	90-06560-00					
5	*Screw, Phi Flat Hd No. 6-32 x 5/16 SST	90-06021-02					
6	*Bracket, Rectifier	53-09772-00					
7	*Washer, No. 6 Int. Tooth	90-06633-00					
8	*Nut, Tinnerman No. 6-32	90-07963-00					
9	*Screw, Phi Pan Hd No. 6-32 x 5/16 SST	90-06021-01					
10	*Rectifier	11-10051-00					
11	*Washer, No. 6 Int. Tooth	90-06633-00					
12	*Screw, Phi Pan Hd No. 6-32 x 1/2 SST	90-06024-01					
13	*REGULATOR ASSEMBLY 8 to 20V	54-09484-00					6
14	*REGULATOR ASSEMBLY +5V	54-09503-00					7
15	*Washer, No. 6 Int. Tooth	90-06633-00					
16	*Screw, Phi Pan Hd No. 6-32 x 5/16 SST	90-06021-01					
17	*Capacitor, 6000 MFD, 50 V	10-10510-00					
18	*Bracket, Capacitor	12-09242-00					
19	*Nut, Tinnerman No. 6-32	90-06584-00					
20	*Screw, Phi Flat Hd No. 6-32 x 5/16 SST	90-06021-02					
21	*Connector, Solderless 50325-1	90-07927-00	00002				
22	*Washer, No. 10 Int. Tooth	90-06635-00					
23	*Screw, Phi. Pan Hd No. 10-32 x 1/4 SST	90-08007-01					
24	*Connector, Solderless 50321-1 (added)	90-07929-00	00002				
25	*Capacitor, 6000 MF 10V	10-10704-00	00001				
26	*Bracket, Capacitor	12-10428-00	00001				
27	*Nut, Kep No. 6-32	90-06560-00	00001				
28	*Screw, Phi Pan Hd No. 6-32 x 5/16 SST	90-06021-01	00001				
29	*Screw, Phi Pan Hd No. 6-32 x 1/2 SST	90-06024-01	00001				
30	*Clamp, Cable (Nylon)	90-07083-00					
31	*Breaker, Circuit, 5A (deleted)	12-05293-00					
32	*Breaker, Circuit, 5A (added)	12-10242-00	00005				
33	*Strip, Terminal	90-06906-00					
34	*Connector, Solderless	90-07919-00					
35	*Connector, Solderless	90-07917-00					
36	*Tubing, Heat Shrinkable 1/4 OD White	91-07253-00					
37	*Tab, Amp 250	90-08219-00					
38	*Washer, No. 6 Ext. Tooth	90-07649-00					
39	*Filter, Line	10-10585-00					
40	*Battery, 4 Cell	12-10641-00					
41	*Tubing, Heat Shrinkable White	91-07253-09					
42	*Grommet, Caterpillar 3/32	90-07036-00					
43	*Jumper, 115V	70-08729-01		A			
44	*Jumper, 230V	70-08729-02		B			
45	*Jumper	70-08729-03					
46	*Indicator, Elapsed Time (deleted)	12-10781-00	00006				
47	*Grommet, 1/8 ID (deleted)	90-07014-00	00006				
	*Cord, Power (115V) (deleted)	17-00006-06					
	*Cord, Power (115V) (added)	17-00006-09	00004				
	*Cord, Power (230V) (deleted)	17-00005-06					
	*Cord, Power (230V) (added)	17-00016-06	00003				
	*Cord, Power (230V) (deleted)	17-00016-06					
	*Cord, Power (230V) (added)	17-00016-09	00004				

FIG & ITEM NO.	DESCRIPTION	DEC PART NO.	ECO CUT-IN H743-00000	USED ON CODE	CODE	VENDOR PART NO.	REF FIG NO.
5- 48 49	<ul style="list-style-type: none"> *Strain Relief, 3/8 Romex (deleted) *Strain Relief, Heyco SR-7P-2 (added) *Harness, Power Supply 	90-08280-00 90-08509-00 70-08704-00	00005				



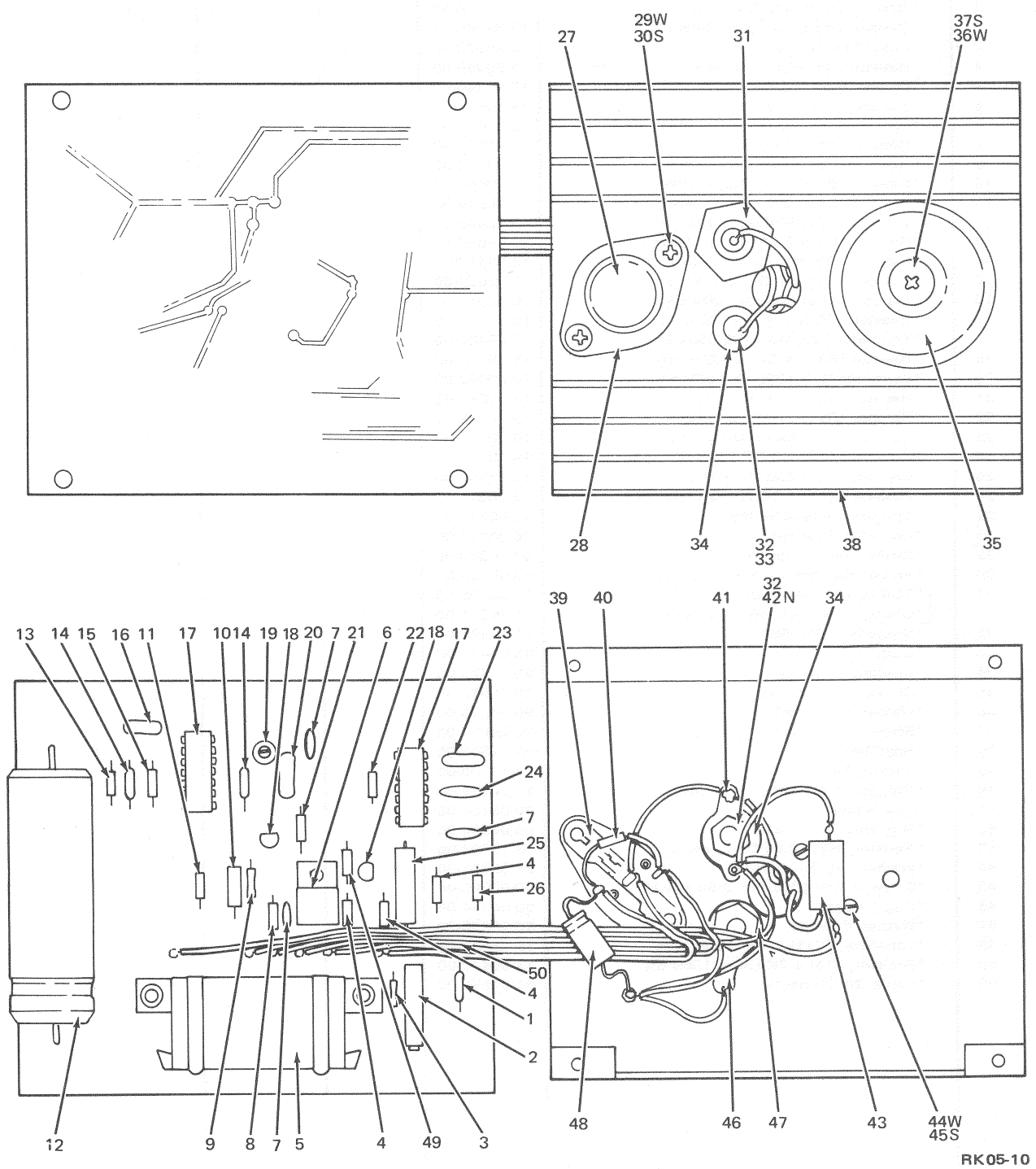
ETCH REV. D



RK05-11

Figure 6. Regulator Assembly (8-20 V) (Etch Rev. D)

FIG & ITEM NO.	DESCRIPTION	DEC PART NO.	ECO CUT-IN 54-09484-00000	USED ON CODE	VENDOR CODE	VENDOR PART NO.	REF FIG NO.
6--	REGULATOR ASSEMBLY 8 to 20V (ETCH D)	54-09484-00					5
1	*Capacitor (C6) .1000 MFD 100V 10%	10-02342-00					
2	*Fuse (F1), 5 AMP	12-09070-00					
3	*Capacitor (C3, C5, C8) .0100 MFD 100V 20%	10-01610-00					
4	*Diode (D2) D664	11-00114-00					
5	*Connector (J1) 8 Pin (Mate-N-Lok)	12-09340-01					
6	*Resistor, (R22, R23) 1K Ohms 1/8W 1%	13-03114-00					
7	*Transistor (Q3) DEC 0045 C	15-10414-00					
8	*Resistor, (R21) 270 Ohms 1/4W, 5%	13-01972-00					
9	*Resistor, (R19) 750 Ohms 1W 5%	13-02385-00					
10	*Transistor, (Q1-Q2) DEC 6534 C	15-03409-02					
11	*Resistor, Variable (R17) 10K Ohms 3/4W 10%	13-09143-10					
12	*Resistor, (R10, R12, R16) 1.210K Ohms 1/8W 1%	13-02871-00					
13	*Resistor, (R11, R15, R20) 1.000K Ohms 1/4W 5%	13-00365-00					
14	*Capacitor, (C4) 930 MFD 30V -10 +75%	10-10509-00					
15	*Resistor (R18) 4.7K Ohms 1/4W 5%	13-00447-00					
16	*Capacitor (C2) 17. MMF 100V 5%	10-01739-00					
17	*Regulator, IC (E1, E2) DIP 723C	19-10415-00					
18	*Resistor, (R7, R14) 56 Ohms 1/4W 5%	13-02602-00					
19	*Resistor (R13) 2.7M, 1/4W 5%	13-09680-00					
20	*Capacitor (C1) 100. MMF 100V 5%	10-00016-00					
21	*Resistor (R8) 3.480K Ohms, 1/8W 1%	13-05114-00					
22	*Resistor (R4, R5, R9) 17.4K Ohms 1/8W 1%	13-09417-00					
23	*Resistor Variable (R2) 1K 1/2W	13-09150-03					
24	*Resistor (R1) 2.61K Ohms 1/8W 1%	13-03303-00					
25	*Resistor (R3) 10K Ohms 1/8W 1%	13-03312-00					
26	*Capacitor (C7) 1.0 MMF 35V 10%	10-01776-00					
27	*Diode Zener, (D1) 1N0748A 3.9V	11-00122-00					
28	*Resistor (R25) 100 Ohms 1/4W 5%	13-00229-00					
29	*Resistor (R24) 0.5 Ohms 5W 3%	13-10508-00					
30	*Capacitor (C9) 1.0 MFD 100V	10-05507-00					
31	*Transistor (Q4) 2N4398	15-05870-00					
32	*Insulator, Thermal	90-08419-00					
33	*Screw, Phl. Pan Hd. No. 6-32 x 1/2	90-06024-01					
34	*Washer Int. Tooth No. 6	90-06633-00					
35	*Choke 120 UH	16-10573-00					
36	*Screw, Phl. Truss Hd. No. 10-32 x 1	90-06077-03					
37	*Washer, Int. Tooth Lock No. 10	90-06635-00					
38	*Heat Sink	53-09543-00					
39	*Diode (D3) 1N3889	11-10491-00					
40	*Bushing, Diode	90-08441-00					
41	*Insulator, Thermal	90-08424-00					
42	*Lug, Solder	90-08150-00					
43	*Nut, Hex No. 10-32	90-06584-00					
44	*Socket, Transistor	12-10130-00					
45	*Screw, Bind. Hd. No. 2-56 x 3/16	90-06000-04					
46	*Cable, 20 Connector	91-07575-00					

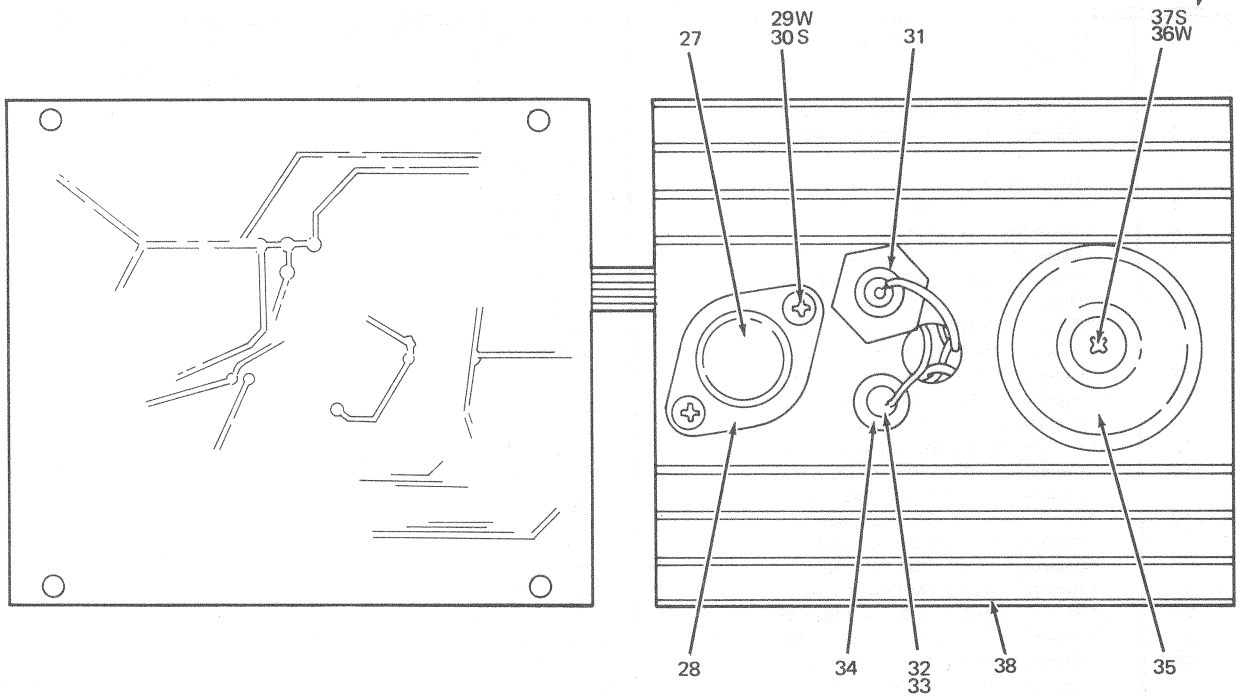


RK05-10

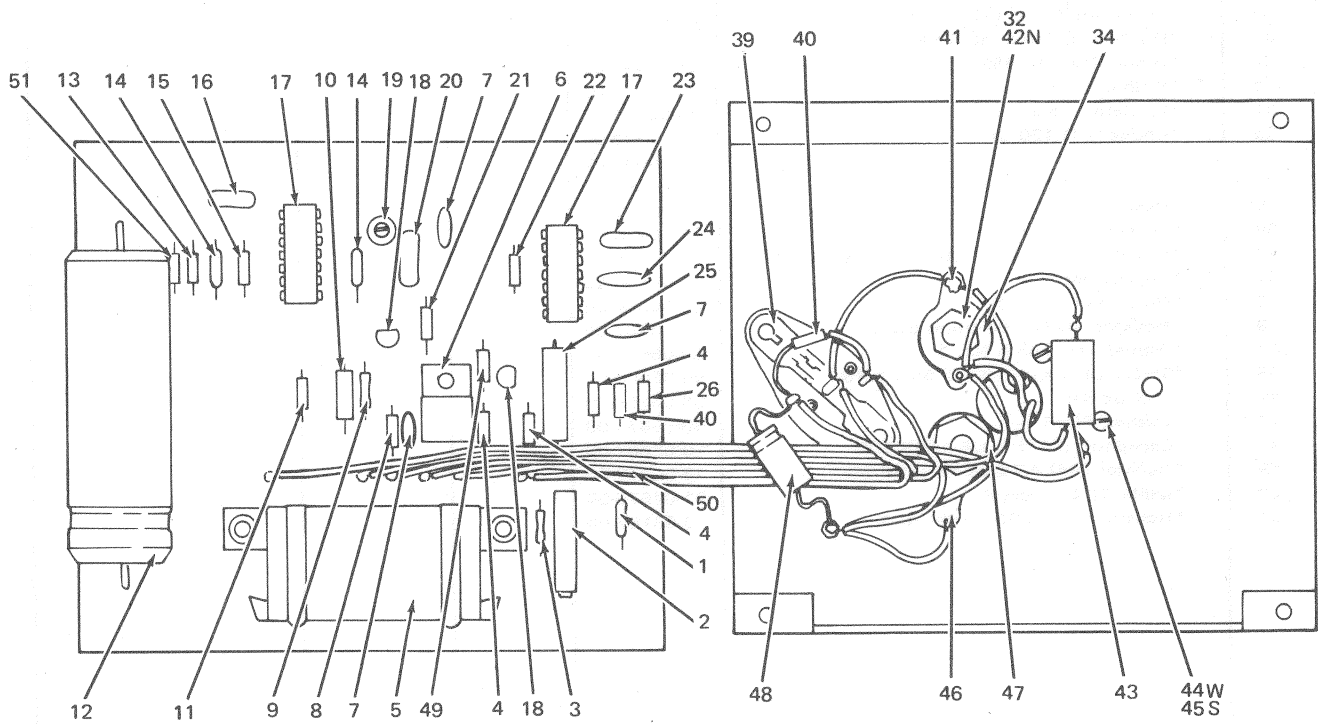
ETCH REV. E

Figure 7. Regulator Assembly (+5 V) (Etch Rev. E)

FIG & ITEM NO.	DESCRIPTION	DEC PART NO.	ECO CUT-IN 54-09503-00005	USED ON CODE	VENDOR		REF FIG NO.
					CODE	PART NO.	
7-	REGULATOR ASSEMBLY +5V (ETCH REV E)	54-09503-00					
1	*Resistor (R19) 1K Ohms 1/8W 1%	13-03114-00					5
2	*Resistor (R13) 1K Ohms 3/4W 10%	13-09143-07					
3	*Fuse (F1) 5 Amps	12-09070-00					
4	*Resistor (R1, R2, R12) 1K Ohms 1/4W 5%	13-00365-00					
5	*Connector (J1) 8 Pin	12-09340-01					
6	*Transistor (Q1) D4506	15-10414-00					
7	*Capacitor (C1, C5, C10) .01 MFD 100V 20%	10-01610-00					
8	*Resistor (R5) 270 Ohms 1/4W 5%	13-01972-00					
9	*Resistor (R6) 2.61K Ohms 1/8W 1%	13-03303-00					
10	*Resistor (R10) 4.7K Ohms 1/2W 5%	13-00445-00					
11	*Resistor (R18) 330 Ohms 1/4W 5%	13-00295-00					
12	*Capacitor (C3) 930 MFD 30V -10 +75%	10-10509-00					
13	*Resistor (R20) 2.74K Ohms 1/8W 1%	13-04868-00					
14	*Resistor (R9, R15) 3.83K Ohms 1/8W 1%	13-09413-00					
15	*Resistor (R14) 56 Ohms 1/4W 5%	13-02602-00					
16	*Capacitor (C2) 100 PV 100V 5%	10-00016-00					
17	*Regulator IC (E1, E2) 723C D.I.P.	19-10415-00					
18	*Transistor (Q2, Q3) DEC 6534 D	15-03409-00					
19	*Resistor (R7) 1K Ohms 1/2W 20%	13-09150-03					
20	*Capacitor (C7) 1000 PF 100V 5%	10-00042-00					
21	*Resistor (R8) 2.7M Ohms 1/4W 5%	13-09680-00					
22	*Resistor (R11) 27 Ohms 1/4W 5%	13-01522-00					
23	*Capacitor (C6) 68 PF Ohms 100V 5%	10-00014-00					
24	*Capacitor (C8) .02 UF 100V -0 +20%	10-00004-00					
25	*Capacitor (C9) 330 MFD 10V	10-09808-00					
26	*Resistor (R16) 1.5K Ohms 1/4W 5%	13-00391-00					
27	*Transistor (Q5) 2N4398	15-05870-00					
28	*Insulator, Thermal	90-08419-00					
29	*Washer, Int. Tooth No. 6	90-06633-00					
30	*Screw, Phl. Pan Hd. No. 6-32 x 1/2	90-06024-01					
31	*SCR (C30U) (deleted)	11-09978-00					
	*Diode, (D3) IN4553B 5.6V (added)	11-11241-00	00006				
32	*Diode (D2) 1N3889	11-10491-00					
33	*Bushing	90-08441-00					
34	*Insulator, Thermal	90-08424-00					
35	*Choke (L1) 120 UH	16-10573-00					
36	*Washer, Int. Tooth	90-06635-00					
37	*Screw, Phl. Truss Hd. No. 10-32 x 1	90-06077-03					
38	*Heat Sink	53-09543-00					
39	*Socket, Transistor	12-10130-00					
40	*Resistor (R22) 100 Ohms 1/4W 5%	13-00229-00					
41	*Lug, Solder	90-08150-00					
42	*Nut, Hex No. 10-32	90-06564-00					
43	*Resistor (R21) 0.05 Ohms 5W 3%	13-10507-00					
44	*Washer, Int. Tooth No. 2	90-06631-00					
45	*Screw, Binding Hd. No. 2-56 x 3/16	90-06000-04					
46	*Lug, Solder	90-06764-00					
47	*Washer, Flat 1/4	90-06676-00					
48	*Capacitor, (C11) 1. UF 100V 10%	10-05507-00					
49	*Resistor, (R4) 4.7K Ohms 1/4W 5%	13-00447-00					
50	*Cable, 20 Connector	91-07575-00					



ETCH REV. F



RK05-12

Figure 7A. Regulator Assembly (+5 V) (Etch Rev. F)

FIG & ITEM NO.	DESCRIPTION	DEC PART NO.	ECO CUT-IN 54-09503 00007	USED ON CODE	VENDOR CODE	VENDOR PART NO.	REF FIG NO.
7A-	REGULATOR ASSEMBLY +5V (ETCH REV F)	54-09503-00					5
1	*Resistor (R19) 1K Ohms 1/8W 1%	13-03114-00					
2	*Resistor (R13) 1K Ohms 3/4W 10%	13-09143-07					
3	*Fuse (F1) 5 Amps	12-09070-00					
4	*Resistor (R1,R2,R12) 1K Ohms 1/4W 5%	13-00365-00					
5	*Connector (J1) 8 Pin	12-09340-01					
6	*Transistor (Q1) D4506	15-10414-00					
7	*Capacitor (C1,C5,C10) .01 MFD 100V 20%	10-01610-00					
8	*Resistor (R5) 270 Ohms 1/4W 5%	13-01972-00					
9	*Resistor (R6) 2.61K Ohms 1/8W 1%	13-03303-00					
10	*Resistor (R10) 4.7K Ohms 1/2W 5%	13-00445-00					
11	*Resistor (R18) 330 Ohms 1/4W 5%	13-00295-00					
12	*Capacitor (C3) 930 MFD 30V -10 +75%	10-10509-00					
13	*Resistor (R20) 2.74K Ohms 1/8W 1%	13-04868-00					
14	*Resistor (R9, R15) 3.83K Ohms 1/8W 1%	13-09413-00					
15	*Resistor (R14) 56 Ohms 1/4W 5%	13-02602-00					
16	*Capacitor (C2) 100 PV 100V 5%	10-00016-00					
17	*Regulator IC (E1, E2) 723C D.I.P.	19-10415-00					
18	*Transistor (Q2, Q3) DEC 6534 D	15-03409-00					
19	*Resistor (R7) 1K Ohms 1/2W 20%	13-09150-03					
20	*Capacitor (C7) 1000 PF 100V 5%	10-00042-00					
21	*Resistor (R8) 2.7M Ohms 1/4W 5%	13-09680-00					
22	*Resistor (R11) 27 Ohms 1/4W 5%	13-01522-00					
23	*Capacitor (C6) 68 PF Ohms 100V 5%	10-00014-00					
24	*Capacitor (C8) .02 UF 100V -0 +20%	10-00004-00					
25	*Capacitor (C9) 330 MFD 10V	10-09808-00					
26	*Resistor (R16) 1.5K Ohms 1/4W 5%	13-00391-00					
27	*Transistor (Q5) 2N4398	15-05870-00					
28	*Insulator, Thermal	90-08419-00					
29	*Washer, Int. Tooth No. 6	90-06633-00					
30	*Screw, Phi Pan Hd No. 6-32 x 1/2	90-06024-01					
31	*Diode (D3) 1N4553B 5.6V	11-11241-00					
32	*Diode (D2) 1N3889	11-10491-00					
33	*Bushing	90-08441-00					
34	*Insulator, Thermal	90-08424-00					
35	*Choke (L1) 120 UH	16-10573-00					
36	*Washer, Int. Tooth No. 10	90-06635-00					
37	*Screw, Phi Truss Hd No. 10-32 x 1	90-06077-03					
38	*Heat Sink	53-09543-00					
39	*Socket, Transistor	12-10130-00					
40	*Resistor (R22, R23) 100 Ohms 1/4W 5%	13-00229-00					
41	*Lug, Solder	90-08150-00					
42	*Nut, Hex No. 10-32	90-06564-00					
43	*Resistor (R21) 0.05 Ohms 5W 3%	13-10507-00					
44	*Washer, Int. Tooth No. 2	90-06631-00					
45	*Screw, Binding Hd No. 2-56 x 3/16	90-06000-04					
46	*Lug, Solder	90-06764-00					
47	*Washer, Flat 1/4	90-06676-00					
48	*Capacitor, (C11) 1. UF 100V 10%	10-05507-00					
49	*Resistor (R4) 4.7K Ohms 1/4W 5%	13-00447-00					
50	*Cable, 20 Connector	91-07575-00					
51	*Resistor (R24) 820K 1/4W 10%	13-03187-00					

**ILLUSTRATED PARTS BREAKDOWN
COMMENT SHEET**

Any and all comments and suggestions for correcting errors and/or additional information to improve this manual will be reviewed and researched for possible use when this manual is revised and/or reprinted. Enter your comments and suggestions in the form provided below and return to Technical Documentation.

MODEL _____

PUBLICATION NO. _____

FIGURE NO. _____ ITEM NO. _____

FIGURE NO. _____ ITEM NO. _____

CHANGE FROM _____

CHANGE FROM _____

CHANGE TO _____

CHANGE TO _____

FIGURE NO. _____ ITEM NO. _____

FIGURE NO. _____ ITEM NO. _____

CHANGE FROM _____

CHANGE FROM _____

CHANGE TO _____

CHANGE TO _____

FIGURE NO. _____ ITEM NO. _____

FIGURE NO. _____ ITEM NO. _____

CHANGE FROM _____

CHANGE FROM _____

CHANGE TO _____

CHANGE TO _____

ADDITIONAL COMMENT(S)

Name _____

Cost Center _____

date: _____

Fold Here

Do Not Tear - Fold Here and Staple

FIRST CLASS
PERMIT NO. 33
MAYNARD, MASS.

BUSINESS REPLY MAIL
NO POSTAGE STAMP NECESSARY IF MAILED IN THE UNITED STATES

Postage will be paid by:

Digital Equipment Corporation
Technical Documentation Department
Digital Park, PK3-2
Maynard, Massachusetts 01754

