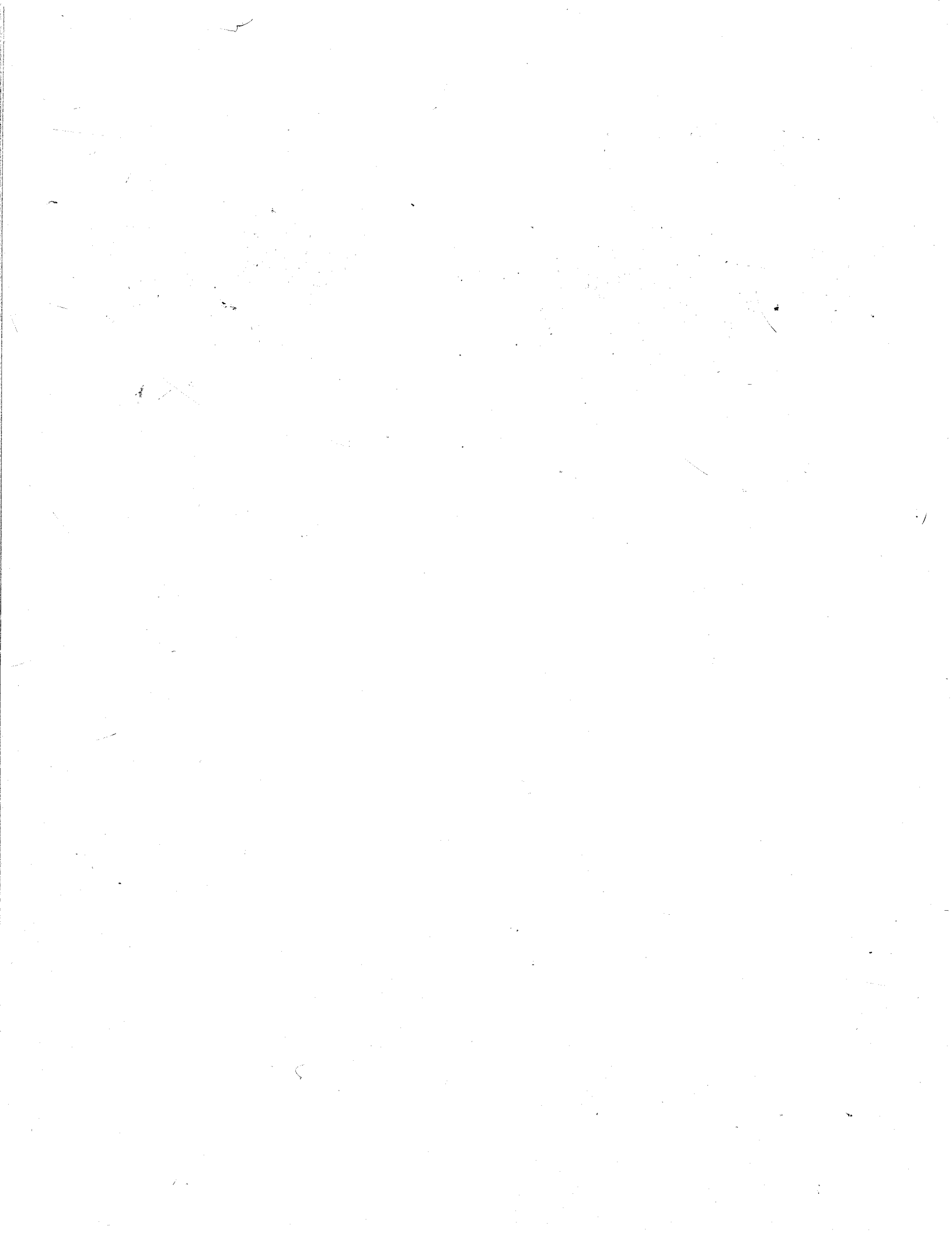


digital

**RK05
disk drive
maintenance manual**





**RK05
disk drive
maintenance manual**

DEC-00-HRK05-C-D

Preliminary Edition, April 1972
2nd Printing, June 1972
3rd Printing, October 1972
4th Printing, December 1972
Second Edition, February 1973
6th Printing, October 1973
Third Edition, May 1974

Copyright © 1972, 1973, 1974 by Digital Equipment Corporation

The material in this manual is for informational purposes and is subject to change without notice.

Digital Equipment Corporation assumes no responsibility for any errors which may appear in this manual.

Printed in U.S.A.

The following are trademarks of Digital Equipment Corporation, Maynard, Massachusetts:

DEC	PDP
FLIP CHIP	FOCAL
DIGITAL	COMPUTER LAB

CONTENTS

	Page
CHAPTER 1	GENERAL INFORMATION
1.1	INTRODUCTION 1-1
1.2	WARRANTY 1-1
1.3	SPECIFICATIONS 1-1
1.4	50/60 Hz POWER OPTION 1-1
1.5	MAJOR ASSEMBLIES AND SYSTEMS 1-1
1.5.1	Controls and Indicators 1-4
1.5.2	Spindle and Drive 1-4
1.5.3	Linear Positioner 1-4
1.5.4	Cartridge-Handling System 1-4
1.5.5	Logic Assembly 1-4
1.5.6	Air System 1-4
1.5.7	Power Supply 1-4
1.5.8	Read/Write Heads 1-4
CHAPTER 2	INSTALLATION
2.1	UNPACKING AND INSPECTION 2-1
2.2	MECHANICAL INSTALLATION AND CHECKOUT 2-3
2.3	CARTRIDGE HANDLING PRACTICES AND PRECAUTIONS 2-6
2.4	CARTRIDGE PACKING AND SHIPPING 2-6
2.5	NORMAL OPERATING PROCEDURES 2-7
2.5.1	Cartridge Loading 2-7
2.5.2	Cartridge Unloading 2-7
CHAPTER 3	INTERFACE
3.1	GENERAL 3-1
3.2	INPUT INTERFACE LINES 3-1
3.2.1	RK11-D 3-1
3.2.2	Select (4 lines) 3-1
3.2.3	Cylinder Address (8 lines) 3-1
3.2.4	Strobe 3-1
3.2.5	Head Select 3-3
3.2.6	Write Protect Set 3-3
3.2.7	Write Data and Clock 3-3
3.2.8	Write Gate 3-3
3.2.9	Restore (RTZ) 3-3
3.2.10	Read Gate 3-3
3.3	OUTPUT INTERFACE LINES 3-3
3.3.1	File Ready (Drive Ready) 3-3
3.3.2	Read, Write, or Seek Ready/On Cylinder 3-3
3.3.3	Address Accepted 3-3
3.3.4	Address Invalid (Logic Address Interlock) 3-3
3.3.5	Seek Incomplete 3-3
3.3.6	Write Protect Status 3-3
3.3.7	Write Check 3-3
3.3.8	Read Data 3-4
3.3.9	Read Clock 3-4

CONTENTS (Cont)

		Page
3.3.10	Sector Address (4 lines)	3-4
3.3.11	Sector Pulse	3-4
3.3.12	Index Pulse	3-4
3.3.13	AC Low	3-4
3.3.14	DC Low	3-4
3.3.15	High Density/RK05 L	3-4
CHAPTER 4	THEORY OF OPERATION	
4.1	FUNCTIONAL DESCRIPTION	4-1
4.1.1	Start	4-1
4.1.2	Stop	4-1
4.1.3	Track Addressing and Head Positioning	4-1
4.1.4	Recording Technique	4-5
4.2	LOGICAL DESCRIPTION	4-5
4.2.1	Power On/Off Sequence	4-5
4.2.2	Start	4-5
4.2.3	Stop	4-5
4.2.3.1	Normal Stop	4-5
4.2.3.2	Low Speed Stop	4-9
4.2.3.3	AC Low Stop	4-10
4.2.3.4	DC Low Stop	4-10
4.2.4	Disk Drive Addressing	4-10
4.2.4.1	RK11-D Address Selection	4-10
4.2.4.2	RK11-C or RK8/E Address Selection	4-10
4.2.5	Seek	4-10
4.2.5.1	Load Heads Seek	4-10
4.2.5.2	Forward Seek	4-11
4.2.5.3	Reverse Seek	4-12
4.2.5.4	Return-to-Zero (Restore) Seek	4-12
4.2.6	Sector/Index Pulse Generation	4-12
4.3	CARRIAGE POSITIONING	4-14
4.3.1	Positioner Servo Description	4-14
4.3.1.1	Velocity Mode	4-14
4.3.1.2	Detent Mode	4-14
4.3.2	Servo Circuit Description	4-15
4.3.2.1	Linear Positioner Transducer	4-15
4.3.2.2	Velocity Function Generator	4-15
4.3.2.3	Velocity Synthesizer	4-16
4.4	READ/WRITE	4-17
4.4.1	Read Operation	4-17
4.4.2	Write Operation	4-19
4.5	FAULT DETECTION	4-20
4.5.1	Current Fault	4-20
4.5.2	Positioner Lamp Fault	4-20
4.6	POWER SUPPLY DESCRIPTION	4-21

CONTENTS (Cont)

		Page
CHAPTER 5 MAINTENANCE		
5.1	RECOMMENDED TOOLS AND TEST EQUIPMENT	5-1
5.2	PREVENTIVE MAINTENANCE	5-1
5.2.1	500-Hour PM Procedure	5-1
5.2.2	1,500-Hour PM Procedure	5-1
5.2.3	3,000-Hour PM Procedure	5-4
5.2.4	Absolute Filter Removal and Replacement	5-5
5.3	CORRECTIVE MAINTENANCE	5-5
5.3.1	Linear Positioner	5-5
5.3.1.1	Positioner Removal	5-5
5.3.1.2	Positioner Replacement	5-5
5.3.2	Carriage	5-7
5.3.2.1	Carriage Removal	5-7
5.3.2.2	Carriage Replacement	5-8
5.3.2.3	Carriage Bearing Assembly Removal	5-8
5.3.2.4	Carriage Bearing Assembly Replacement	5-8
5.3.2.5	Transducer Block Removal and Replacement	5-10
5.3.3	Read/Write Heads	5-10
5.3.3.1	Head Removal, without Head Insertion Tool	5-10
5.3.3.2	Head Replacement, without Head Insertion Tool	5-10
5.3.3.3	Head Removal, with Head Insertion Tool	5-12
5.3.3.4	Head Replacement, with Head Insertion Tool	5-12
5.3.4	Spindle	5-13
5.3.4.1	Spindle Removal	5-13
5.3.4.2	Spindle Replacement	5-15
5.3.4.3	Spindle Ground (Carbon Brush) Removal and Replacement	5-15
5.3.5	Spindle Drive Motor	5-15
5.3.5.1	Motor Removal	5-15
5.3.5.2	Motor Replacement	5-15
5.3.5.3	Drive Belt Removal and Replacement	5-16
5.3.6	Blower Motor	5-17
5.3.6.1	Blower Removal	5-17
5.3.6.2	Blower Replacement	5-17
5.3.7	Power Supply Removal	5-17
5.3.8	Cartridge Cleaning	5-17
5.3.8.1	Cartridge Cleaning Procedure	5-17
5.3.8.2	Adverse Disk Conditions	5-20
5.4	ALIGNMENT, CHECKS, AND ADJUSTMENTS	5-20
5.4.1	Alignment Cartridges	5-20
5.4.1.1	RK05K-AC Alignment Cartridge	5-20
5.4.1.2	2315 CE Test Cartridge Shim Installation	5-21
5.4.2	Servo System Timing Checks and Adjustments	5-21
5.4.2.1	Dynamic Off-Line Checks and Adjustments	5-23
5.4.2.2	Static Tests and Adjustments	5-29
5.4.3	Read/Write Data Separator (G180 Card) Adjustment	5-29
5.4.4	Read/Write Head Check and Alignment	5-30
5.4.4.1	RK05K-AC Alignment Cartridge	5-30
5.4.4.2	2315 CE Pack	5-34
5.4.5	Index/Sector Timing Adjustment	5-37

CONTENTS (Cont)

		Page
5.4.5.1	RK05K-AC Alignment Cartridge	5-37
5.4.5.2	2315 CE Pack	5-38
5.4.6	Cartridge Receiver Alignment	5-39
5.5	SPARE PARTS	5-40
5.6	TROUBLESHOOTING	5-40
5.6.1	Power Supply	5-42
5.6.2	Controls and Indicators	5-42
5.6.3	Mechanical Checks	5-43
5.6.4	Electronic Checks	5-43
APPENDIX A	GLOSSARY OF RK05 BACKPLANE CONNECTIONS	
APPENDIX B	RK8E/RK05 MAINTENANCE PROGRAM	
APPENDIX C	RK05/RK11 OSCILLATING SEEK PROGRAM	
APPENDIX D	THE RK05-TA OFF-LINE TESTER	
APPENDIX E	RK05 INTEGRATED CIRCUITS	

ILLUSTRATIONS

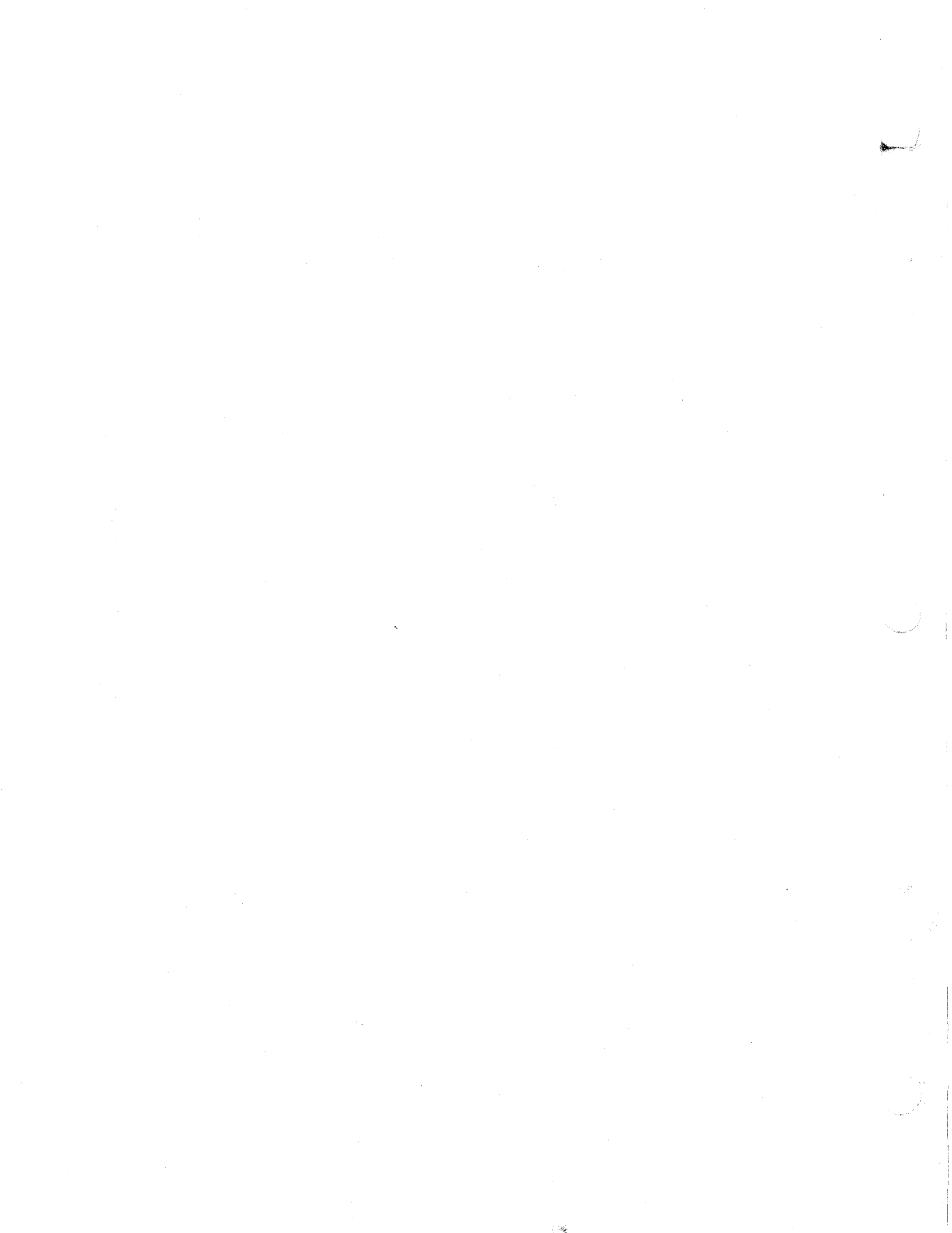
Figure No.	Title	Page
1-1	Location of Major Assemblies and Systems	1-3
1-2	Controls and Indicators	1-6
1-3	Spindle and Drive System	1-7
1-4	Linear Positioner	1-7
1-5	Cartridge Handling System	1-8
1-6	Air System	1-9
1-7	Head Loading	1-9
1-8	Relationship of Disk Head, Disk, and Contaminants	1-10
2-1	Shipping Bracket and Shipping Strap Location	2-2
2-2	RK11C or RK11D Interface Cable Installation	2-3
2-3	Chassis Slide Mounting	2-4
2-4	RK8/E Interface Cable Installation	2-5
3-1	Controller/RK05 Disk Drive Interface Lines and Pin Assignments	3-2
4-1	Functional Block Diagram	4-2
4-2	Start Flow Chart	4-3
4-3	Stop Flow Chart	4-4
4-4	Seek Flow Chart	4-6
4-5	Return-to-Zero (Restore) Flow Chart	4-7
4-6	Read/Write Head	4-8
4-7	Simplified Read/Write Head Circuit	4-8
4-8	Double Frequency Pulse Relationship	4-8
4-9	Control and Interlock Block Diagram	4-9
4-10	Sector/Index Timing	4-13
4-11	Servo System Block Diagram	4-15

ILLUSTRATIONS (Cont)

Figure No.	Title	Page
4-12	Linear Positioner Transducer	4-15
4-13	Simplified Positioner Servo Logic	4-16
4-14	Velocity Profile	4-17
4-15	Simplified Data Separator Circuit	4-18
4-16	Read Waveforms	4-19
5-1	Prefilter	5-1
5-2	Absolute Filter Removal	5-4
5-3	Internal Power Supply Connections	5-6
5-4	Top View of RK05 with Cover Removed	5-7
5-5	Carriage Bearing Assembly Removal	5-9
5-6	Read/Write Head Replacement without Head Insertion Tool	5-11
5-7	Read/Write Head Replacement with Head Insertion Tool	5-13
5-8	Spindle Replacement	5-14
5-9	Carbon Brush Replacement	5-16
5-10	Blower Motor Removal	5-18
5-11	How to Read a Vernier	5-20
5-12	Negligible Runout	5-21
5-13	Considerable Runout	5-21
5-14	CE Test Cartridge Shim Installation	5-22
5-15	Sine Amplitude/Offset and Velocity Offset Waveform	5-26
5-16	Cosine Amplitude/Offset Waveform	5-27
5-17	Velocity Amplitude Waveform	5-27
5-18	Acceleration Waveform	5-27
5-19	Full Stroke Waveform	5-28
5-20	Full Stroke Position Waveform	5-28
5-21	Outer Limit Waveform	5-28
5-22	RK05K-AC Head Alignment Waveforms	5-31
5-23	Read/Write Head Adjustments	5-33
5-24	2315 CE Pack Head Alignment Waveforms	5-35
5-25	Index/Sector Waveform	5-38
5-26	Cartridge-to-Receiver Clearance	5-41
5-27	Cartridge Receiver Clearances	5-41
5-28	Troubleshooting Flow Chart	5-42
5-29	Door Locking Bar Location	5-44
5-30	Cartridge Seating Elements	5-44

TABLES

Table No.	Title	Page
1-1	Performance Specifications	1-2
1-2	Controls and Indicators	1-5
5-1	Recommended Tools and Test Equipment	5-2
5-2	Preventive Maintenance Schedule	5-3
5-3	Servo System Checks	5-22
5-4	Servo System Adjustments	5-25



CHAPTER 1

GENERAL INFORMATION

1.1 INTRODUCTION

The RK05 Disk Drive, which is designed and manufactured by Digital Equipment Corporation, is a self-contained, random-access, data storage device that is especially well suited for use in small or medium-size computer systems, data acquisition systems, terminals, and other storage applications. Operational power for this device is provided by a power supply located within the drive cabinet. The RK05 is available in four models, each of which operates on a different power line.

This compact, lightweight drive uses a high-density, single-disk, 12-sector or 16-sector cartridge as its storage medium. Two movable heads, one flying above the rotating disk surface and one below, can read or record up to 406 data tracks at 1500 rpm. The double-frequency, nonreturn-to-zero (NRZ) recording method used in this drive can store up to 25 million bits of on-line data. Data formatting is governed entirely by the operating system.

With the address select logic contained in each drive, up to eight RK05 Disk Drives (depending on the type of system) can be "daisy-chained" and operated from a single controller bus.

1.2 WARRANTY

"Removable media involve use, handling and maintenance which are beyond DEC's direct control. DEC disclaims responsibility for performance of the Equipment when operated with media not meeting DEC specifications or with media not maintained in accordance with procedures approved by DEC. DEC shall not be liable for damages to the Equipment or to media resulting from such operation."

1.3 SPECIFICATIONS

Table 1-1 lists the performance specifications of the RK05 Disk Drive for the 12-sector cartridge. Wherever applicable, a second specification pertaining to a 16-sector cartridge is also listed.

1.4 50/60 Hz POWER OPTION

The RK05 Disk Drive is available in the following four power models:

- RK05-AA 95 to 130 Vac @ 60 Hz
- RK05-AB 190 to 260 Vac @ 60 Hz
- RK05-BA 95 to 130 Vac @ 50 Hz
- RK05-BB 190 to 260 Vac @ 50 Hz

Each model is shipped with a complete set of drawings. To change from 50 to 60 Hz operation requires a different spindle drive pulley, and the motor must be moved as described in Paragraph 5.3.5. Changing from 115 V to 230 V operation requires that the power connector (P2) be reconfigured (Paragraph 4.6).

1.5 MAJOR ASSEMBLIES AND SYSTEMS

The RK05 Disk Drive is composed of the following major assemblies and systems:

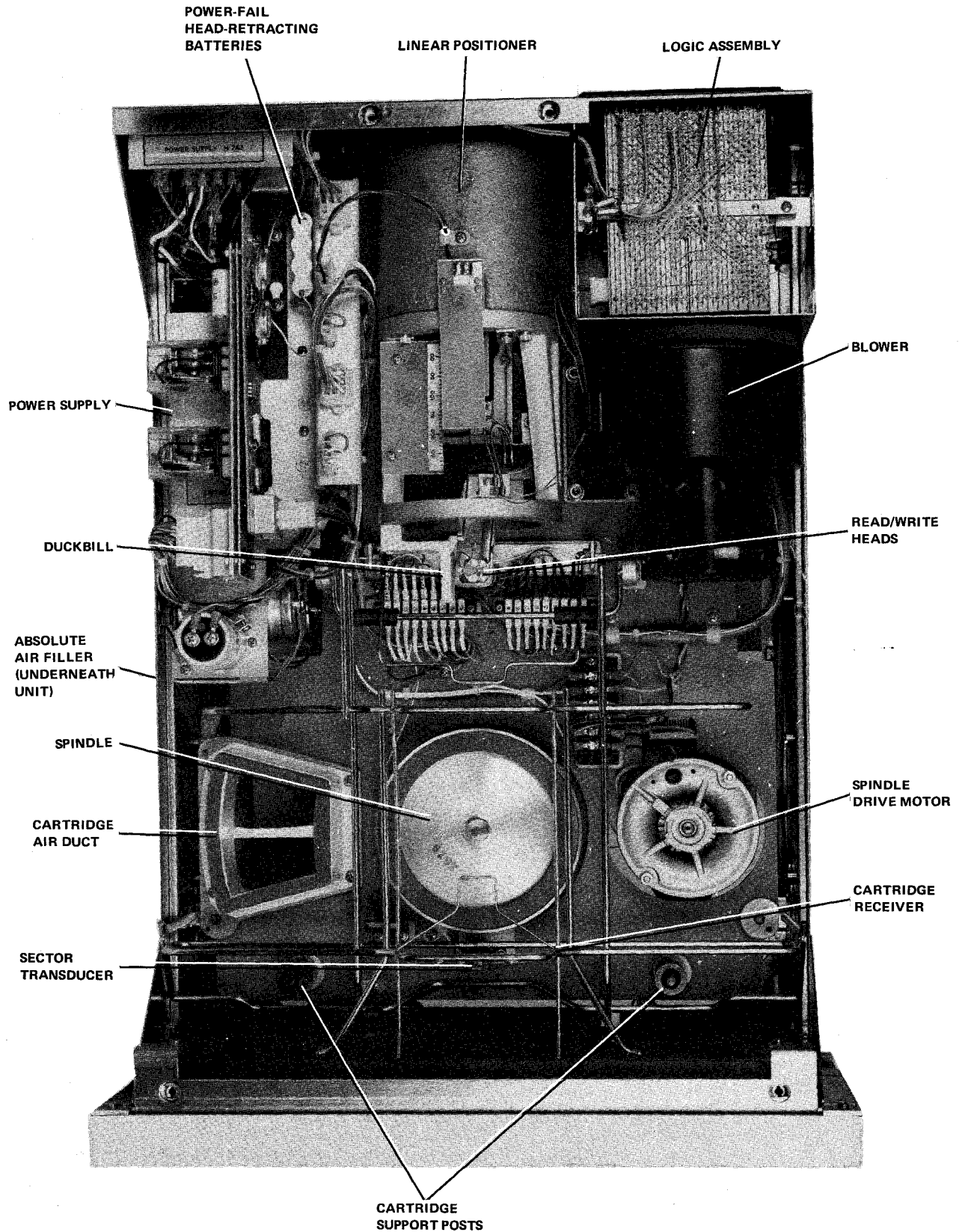
- Controls and Indicators
- Spindle and Drive System
- Linear Positioner
- Cartridge Handling System
- Logic Assembly
- Air System
- Power Supply
- Read/Write Heads

Figure 1-1 illustrates the locations, and the subsequent paragraphs describe the functions of each of the major assemblies and systems.

**Table 1-1
Performance Specifications**

Characteristic	Specification
Storage Medium	
Type	Single disk magnetic cartridge
Disk Diameter	14 in.
Magnetic Heads	
Number	Two
Recording Density and Format	
Density	2200 bpi max.
Tracks	406 (200 plus 3 spares on each side of the disk)
Cylinders	203 (two tracks each)
Sectors (records)	4872 (12 per revolution)/6496 (16 per revolution)
Bit Capacities (unformatted)*	
Per Disk	25 million
Per Inch	2040 (max. at inner track)
Per Cylinder	115,200
Per Track	57,600
Per Sector	4,800/3,844
Access Times	
Disk Rotation	1500 ± 30 rpm
Average Latency	20 ms (half rotation)
Head Positioning	10 ms – for adjacent tracks
(including settling time)	50 ms – average
	85 ms – for 200 track movement
Bit Transfer*	
Transfer Code	Double frequency, nonreturn-to-zero recording
Transfer Rate	1.44M bits per sec
Electrical Requirements	
Voltage	115/230 Vac @ 50/60 Hz ± .05 Hz
Power	250 VA
Starting Current	Power only: 1.8 A Start spindle: 10 A (for 2 sec)
Model Designation	
RK05-AA	95 to 130 Vac @ 60 ± 0.5 Hz
RK05-AB	190 to 260 Vac @ 60 ± 0.5 Hz
RK05-BA	95 to 130 Vac @ 50 ± 0.5 Hz
RK05-BB	190 to 260 Vac @ 50 ± 0.5 Hz
Environment	
Ambient Temperature	50° to 110° F (10° to 43° C nominal)
Relative Humidity	8% to 80% (no condensation)
Barometric Pressure	10,000 ft (3,000 meters) max.
Temperature, Change Rate	10° F (6° C) per hr
Temperature, Interchangeable Range	30° F (17° C)
Dimensions and Weight	
Width	19 in. (48 cm)
Depth	26-1/2 in. (67 cm)
Height	10-1/2 in. (27 cm)
Weight	110 lb (50 kg)

*Some RK11-D systems record at 1.54M bits/sec which increases the bit density and capacity accordingly.



6858-6

Figure 1-1 Location of Major Assemblies and Systems

1.5.1 Controls and Indicators

The controls and indicators (Figure 1-2) required for normal operation are located on the front of the drive cabinet. Table 1-2 describes the function of each control or indicator.

1.5.2 Spindle and Drive

The spindle and drive system (Figure 1-3) is composed of the spindle, spindle drive motor, and the recording disk. A 50/60 Hz, split-phase ac motor transfers torque (via the drive belt) to the spindle drive pulley. Belt tension is maintained by a tension spring anchored to the baseplate.

The spindle speed is electronically tested by a circuit that measures the INDEX PULSE interval. When the interval increases to approximately 45 ms, indicating an unsafe speed, the drive is cycled down. If the RUN/LOAD switch is placed in the LOAD position, ac power is removed from the motor and the spindle coasts to a halt.

1.5.3 Linear Positioner

The linear positioner (Figure 1-1) consists of the linear motor, the carriage, the read/write heads, and the linear positioner transducer. To move the read/write heads across the recording disk, dc current is applied to the bobbin-wound armature (Figure 1-4) of the linear motor. The resulting magnetic field reacts with a permanent magnet in the motor housing to either pull the armature into or force it out of the permanent magnetic field, depending upon the polarity of the current applied to the armature. This motion is transferred to the carriage, which is fastened to the armature. As a result, the read/write heads, which are attached to the carriage, move across the surface of the disk.

Any carriage movement is detected by the linear positioner transducer, which is located on the underside of the carriage. The transducer output is used with the control logic to determine the cylinder position of the heads, and in the servo logic to govern the speed of carriage travel.

1.5.4 Cartridge-Handling System

The cartridge-handling system (Figure 1-5a) consists of a cartridge receiver, two receiver lifting cams, an access door opener, a duckbill, and two cartridge support posts. During normal operation, the plastic cartridge is located *only* by the duckbill and support posts. The cartridge receiver merely *guides* the cartridge into position to be picked up by the duckbill and support posts, allowing the recording disk to rotate freely on the spindle. The rotating spindle drives the disk by magnetic coupling at the disk hub.

As the drive front door is opened, the lifting cams rotate to elevate the receiver to a slanted position and the magnetic coupling at the disk hub is released. When the disk cartridge is inserted into the receiver (Figure 1-5b), the access door opener contacts the rear of the top cover, opening the access door to allow entry of the read/write heads.

As the drive front door is closed, the cartridge is lowered to the operating position, and the magnetic coupling again engages the disk hub. When the cartridge is in the operating position, the plastic case depresses the cartridge-on switch and removes the no-cartridge interlock condition. The cartridge receiver should *not* hold the cartridge tightly.

1.5.5 Logic Assembly

The logic assembly (Figure 1-1), located in the right rear portion of the disk drive, holds eight printed circuit cards. Three of these cards contain the system logic and the read/write circuits. Two cards contain the positioner servo logic. One card is the cable connector that interfaces the electronics with the positioner and other chassis-mounted components, while the remaining two cards contain the interface cables and terminators.

1.5.6 Air System

The air system (Figure 1-6) consists of the prefilter, blower, absolute filter, plenum chamber, and the cartridge air duct. As the blower rotates, unfiltered air is drawn through the prefilter, where it is purged of large dust particles. The prefiltered air is then circulated through the logic assembly and into the plenum. From there, the air passes through the absolute filter (where minute contamination is removed), up the cartridge air duct, and into the disk cartridge. Cooling air from the absolute filter is also shunted, by the plenum, through the linear positioner. Exhaust air exits through the front grill of the drive.

1.5.7 Power Supply

The power supply (Figure 1-1), located in the left rear portion of the disk drive, furnishes all the dc voltages for the drive. The power supply can operate with a 115 V or 230 V, 50 or 60 Hz line voltage input (Paragraph 4.6).

1.5.8 Read/Write Heads

There are two ramp-loaded read/write heads in the RK05 Disk Drive. One head functions on the top surface of the recording disk and the other on the bottom. The heads are mounted on suspension arms that rest, when the heads are unloaded, on a plastic cam block of the duckbill (Figure 1-7). Flat cantilever springs connect the suspension arms to the head-support tailpieces. When the drive is placed in the RUN mode, the positioner moves the heads forward toward cylinder zero. When the entire head slider pad has passed the edge of the disk, a ramp on the suspension arm slides down the edge of the plastic cam block, thereby moving (loading) the heads close to the disk surface. When loaded, the heads "fly" 80 to 100 microinches from the disk surface (Figure 1-8). A film of air (air bearing) between the disk and the head acts as a force away from the disk, while the cantilever spring is a counterbalancing force toward the disk. Thus, as long as the disk rotation remains constant the heads remain at a relatively constant distance away from the disk surface.

**Table 1-2
Controls and Indicators**

Controls and Indicators	Description
<p>RUN/LOAD (rocker switch)</p>	<p>Placing this switch in the RUN position (providing that all interlocks are safe):</p> <ul style="list-style-type: none"> a. locks the drive front door b. accelerates the disk to operating speed c. loads the read/write heads d. lights the RDY indicator. <p>Placing this switch in the LOAD position:</p> <ul style="list-style-type: none"> a. unloads the read/write heads b. stops the disk rotation c. unlocks the drive front door when the disk has stopped d. lights the LOAD indicator. <p align="center">CAUTION</p> <p align="center">Do not switch to the LOAD position during a write operation; this results in erroneous data being recorded.</p>
<p>WT PROT (rocker switch – spring-loaded off)</p>	<p>Placing this momentary contact switch in the WT PROT position lights the WT PROT indicator and prevents a write operation; it also turns off the FAULT indicator, if that is lit.</p>
	<p>Depressing this switch in the WT PROT position a second time turns off the WT PROT indicator and allows a write operation.</p>
<p>PWR (indicator) RDY (indicator)</p>	<p>Lights when operating power is present. Goes off when operating power is removed.</p> <p>Lights when:</p> <ul style="list-style-type: none"> a. the disk is rotating at the correct operating speed. b. the heads are loaded. c. no other conditions are present (all interlocks safe) to prevent a seek, read, or write operation.
	<p>Goes off when the RUN/LOAD switch is set to LOAD.</p>
<p>ON CYL (indicator)</p>	<p>Lights when:</p> <ul style="list-style-type: none"> a. the drive is in the Ready condition. b. a seek or restore operation is not being performed. c. the read/write heads are positioned and settled. <p>Goes off during a seek or restore operation.</p>

**Table 1-2 (Cont)
Controls and Indicators**

Controls and Indicators	Description
<p>FAULT (indicator)</p>	<p>Lights when:</p> <ul style="list-style-type: none"> a. erase or write current is present without a WRITE GATE. b. the linear positioner transducer lamp is inoperative. <p>Goes off when the WT PROT switch is pressed, or when the drive is recycled through a RUN/LOAD sequence.</p>
<p>WT PROT (indicator)</p>	<p>Lights when:</p> <ul style="list-style-type: none"> a. the WT PROT switch is pressed. b. the operating system sends a Write Protect command. <p>Goes off when the WT PROT switch is pressed a second time, or when the drive is recycled through a RUN/LOAD sequence.</p>
<p>LOAD (indicator)</p>	<p>Lights when the read/write heads are fully retracted and the spindle has stopped rotating.</p>
<p>WT (indicator)</p>	<p>Lights when a write operation occurs. Goes off when the write operation terminates.</p>
<p>RD (indicator)</p>	<p>Lights when a read operation occurs. Goes off when the read operation terminates.</p>

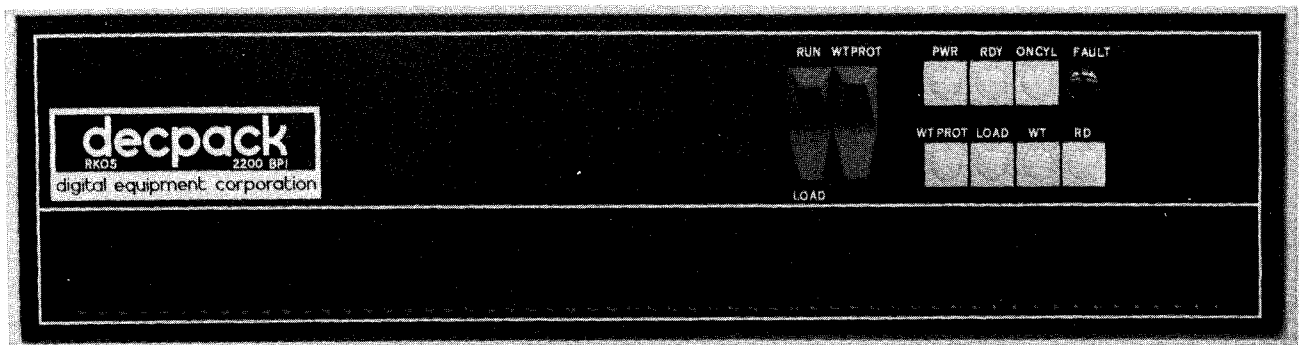


Figure 1-2 Controls and Indicators

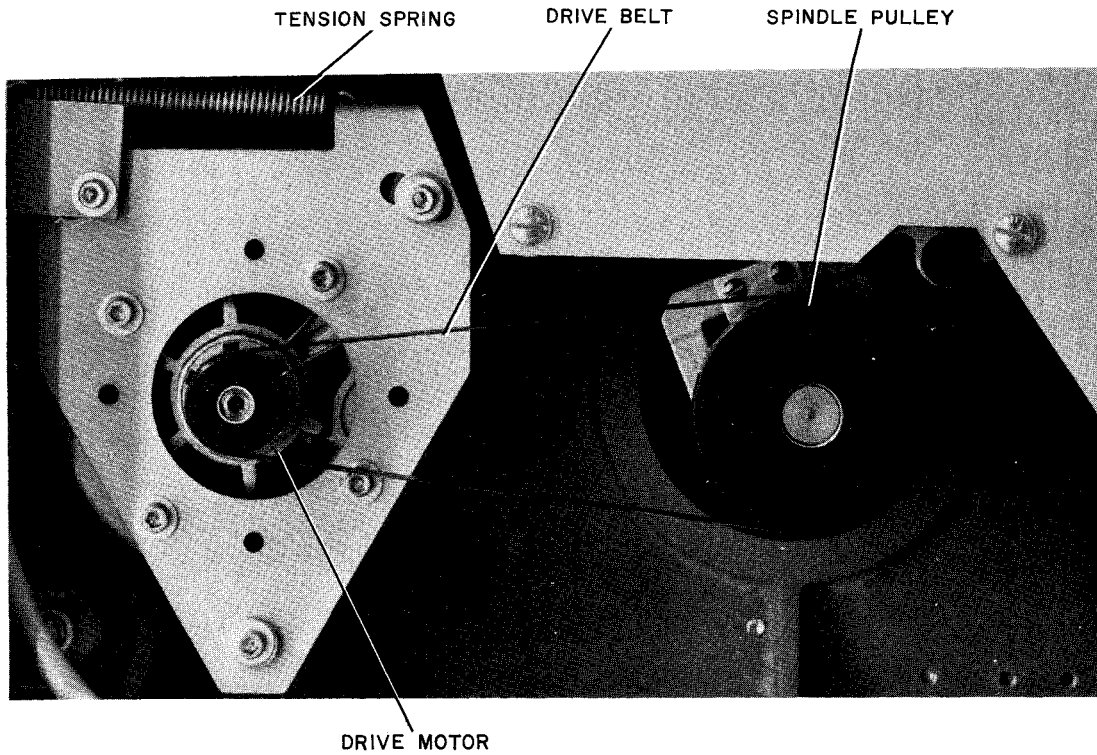
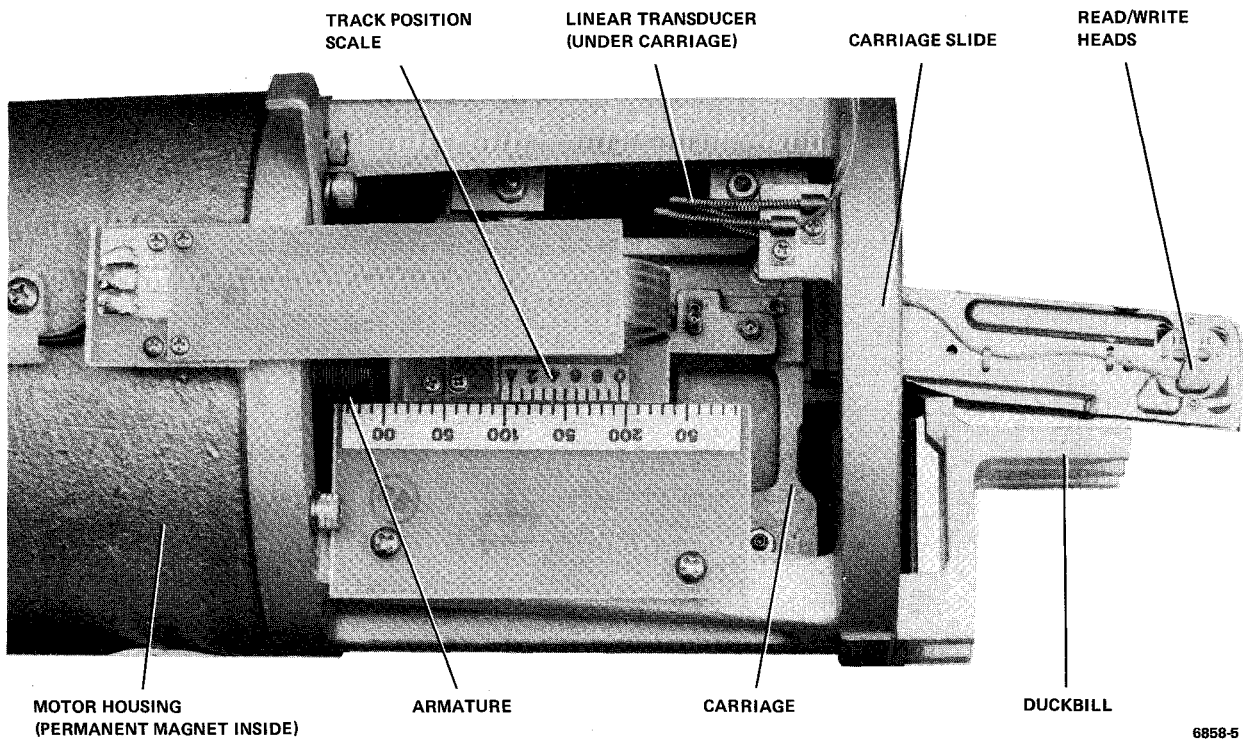
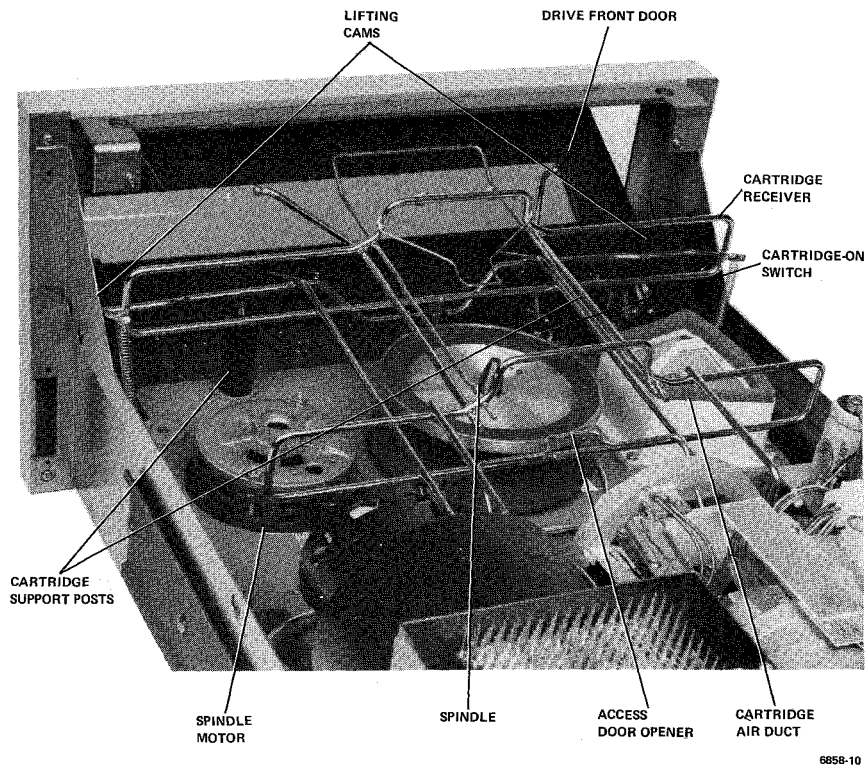


Figure 1-3 Spindle and Drive System

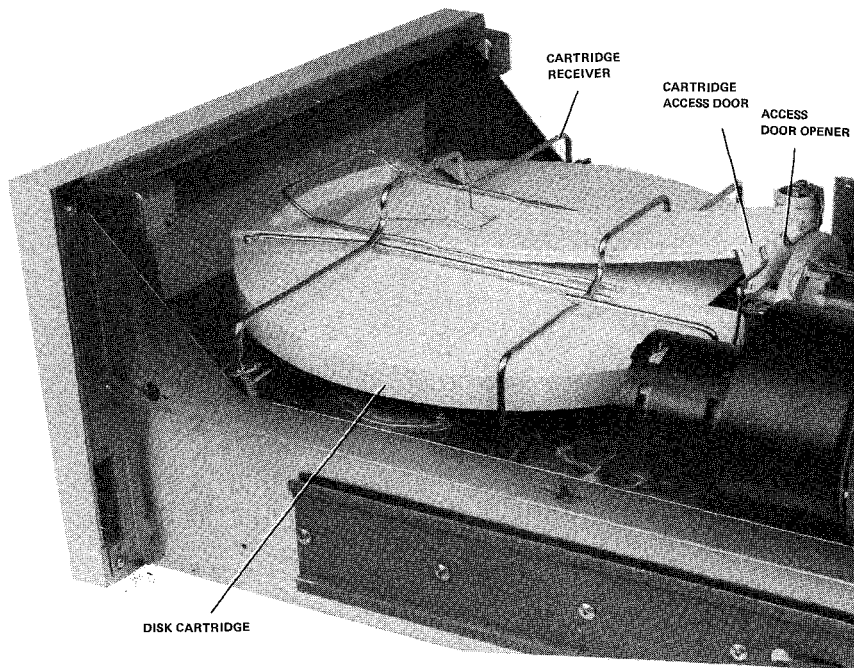


6858-5

Figure 1-4 Linear Positioner

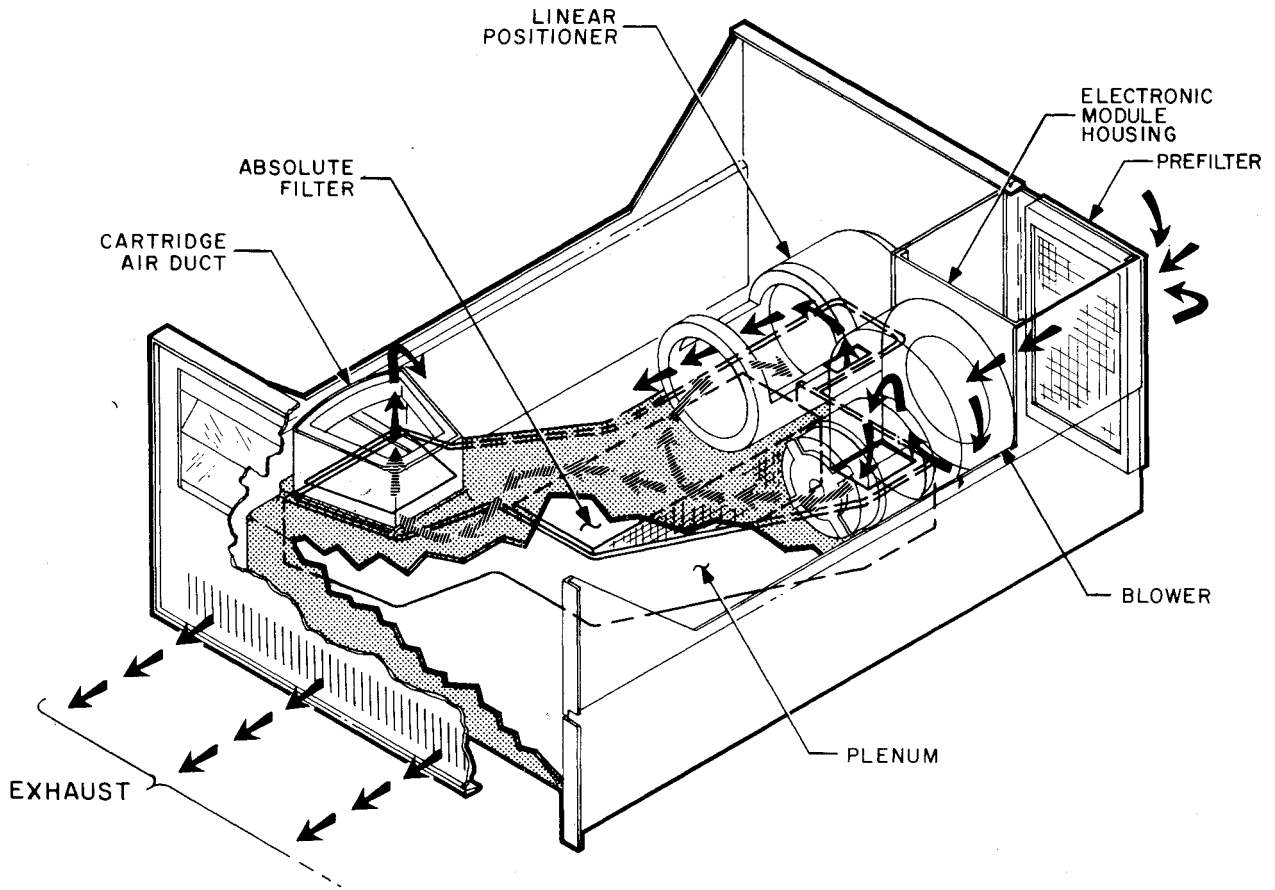


a. Cartridge Removed



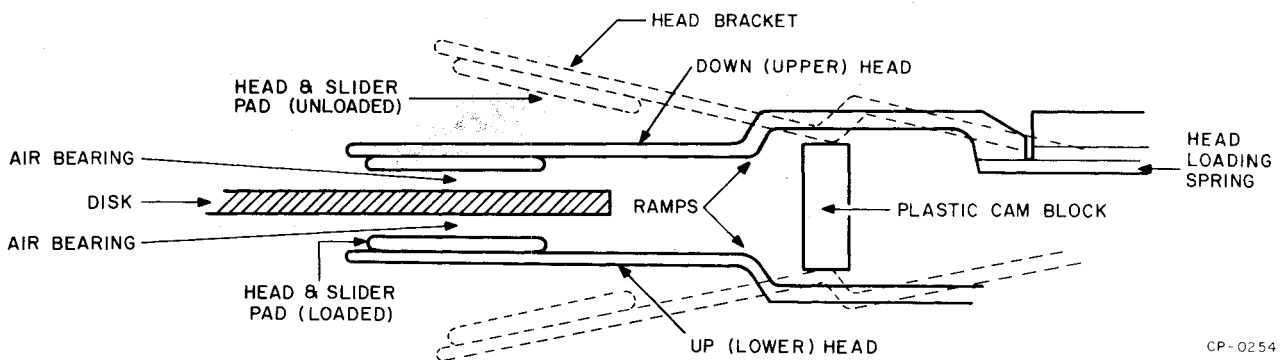
b. Cartridge Inserted

Figure 1-5 Cartridge Handling System



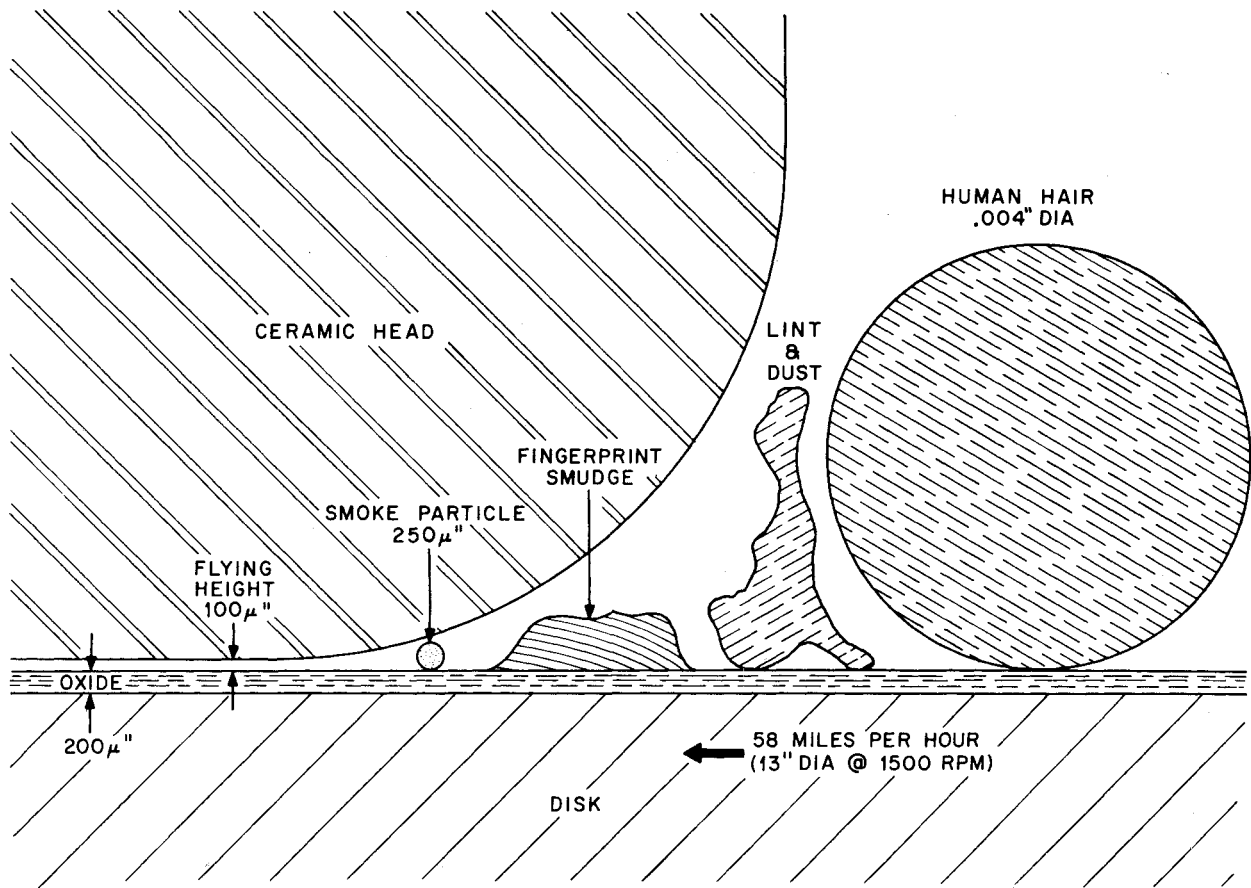
CP-0272

Figure 1-6 Air System



CP-0254

Figure 1-7 Head Loading



08-0884

Figure 1-8 Relationship of Disk Head, Disk, and Contaminants

The DOWN (UPPER) HEAD is so-called by convention throughout the computer industry because it faces down; the UP (LOWER) HEAD faces up. These designations were created to describe heads loaded onto a multisurface (10 or 20) cartridge.

The recording device (read/write head) is a coil-wound ferrite core with an air gap. As current flows through the

coil, the induced flux magnetizes the surface of the disk passing under the gap. During a write operation, when the current direction in the coil is reversed, a flux reversal is recorded on the disk. During a read operation, the previously-recorded flux pattern on the disk induces current in the head. Any flux reversal on the recording surface produces a pulse.

CHAPTER 2

INSTALLATION

2.1 UNPACKING AND INSPECTION

The RK05 Disk Drive can be shipped in a rack as an integral part of a system or in a separate container. If the drive is shipped in a rack, the rack should be positioned in the final installation location and unpacked as follows:

1. Remove the shipping brackets from the drive by removing the snap-on bezel beneath the lowest drive.
2. Remove the screws attaching the shipping bracket and latch molding to both sides of the drive.

CAUTION

Do not use the drive front door handle to pull the drive out from the rack.

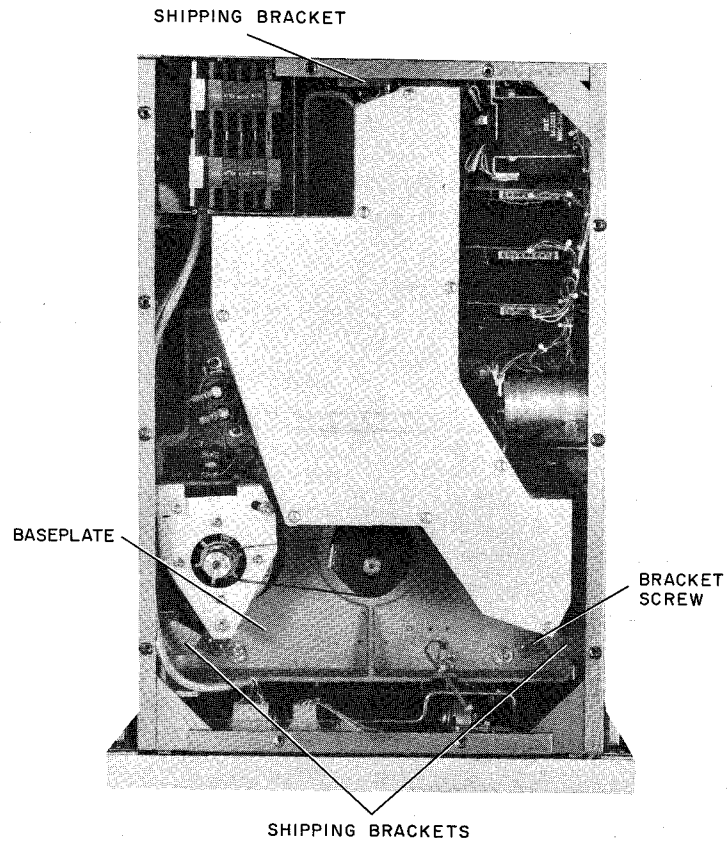
3. Slide the drive out about 3 inches from the rack and pull the shipping brackets out from the sides of the drive. Attach the latch molding back onto the drive with the shipping bracket screws.
4. Slide the lowest drive out far enough to gain access to the shipping brackets on the drive directly above it and remove the screws from these two shipping brackets.
5. Repeat Steps 3 and 4 for each drive in the rack.
6. Remove the drive bottom cover and remove the screws that attach the three internal shipping brackets to the baseplate (Figure 2-1a).

CAUTION

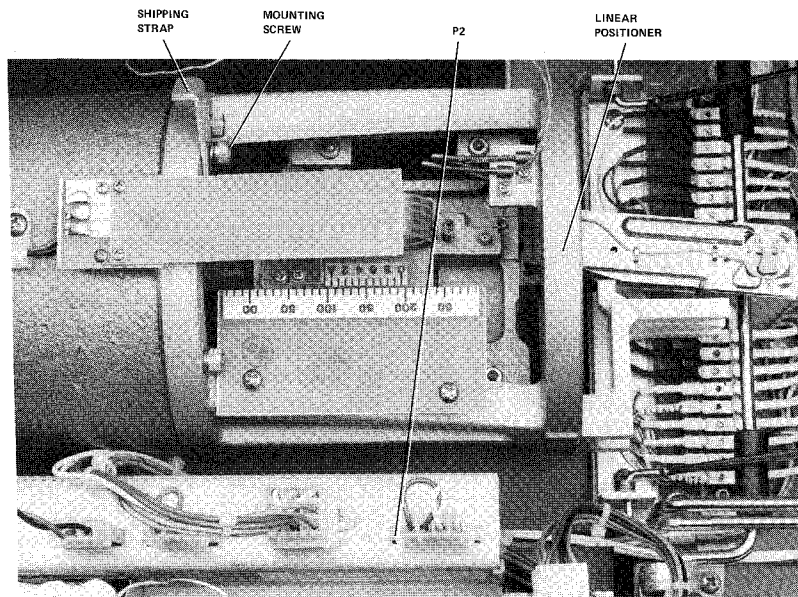
Do not operate drive with shipping brackets attached.

7. If RK05 drives are "daisy-chained" with RK03 drives in a multidrive installation, arrange the RK05s consecutively at the controller end of the bus to avoid interruption of the AC LOW and DC LOW interface lines, which are not carried by the RK03s. If this arrangement is not possible, all RK05s that are separated on the bus by RK03s must be connected by separate cables between their J06 connections (Figure 2-2).
8. Remove the drive top cover and remove the mounting screw and shipping strap from the linear positioner (Figure 2-1b). Turn the shipping strap upward and replace it on the linear positioner, making sure it is tightly secured.
9. Retain all packing material for possible reshipment. Inspect the drive for possible damage. Report any damage to the carrier and to Digital Equipment Corporation.
10. In the case of RK05 Disk Drive relocation or reshipment, replace the shipping brackets and shipping strap in the shipping position; repeat this unpacking and inspection procedure when the drive is reinstalled.

If the drive is shipped in a separate container, use care while unpacking it. Do not drop the drive or subject it to unreasonable impact.



a. Shipping Brackets



b. Shipping Strap

Figure 2-1 Shipping Bracket and Shipping Strap Locations

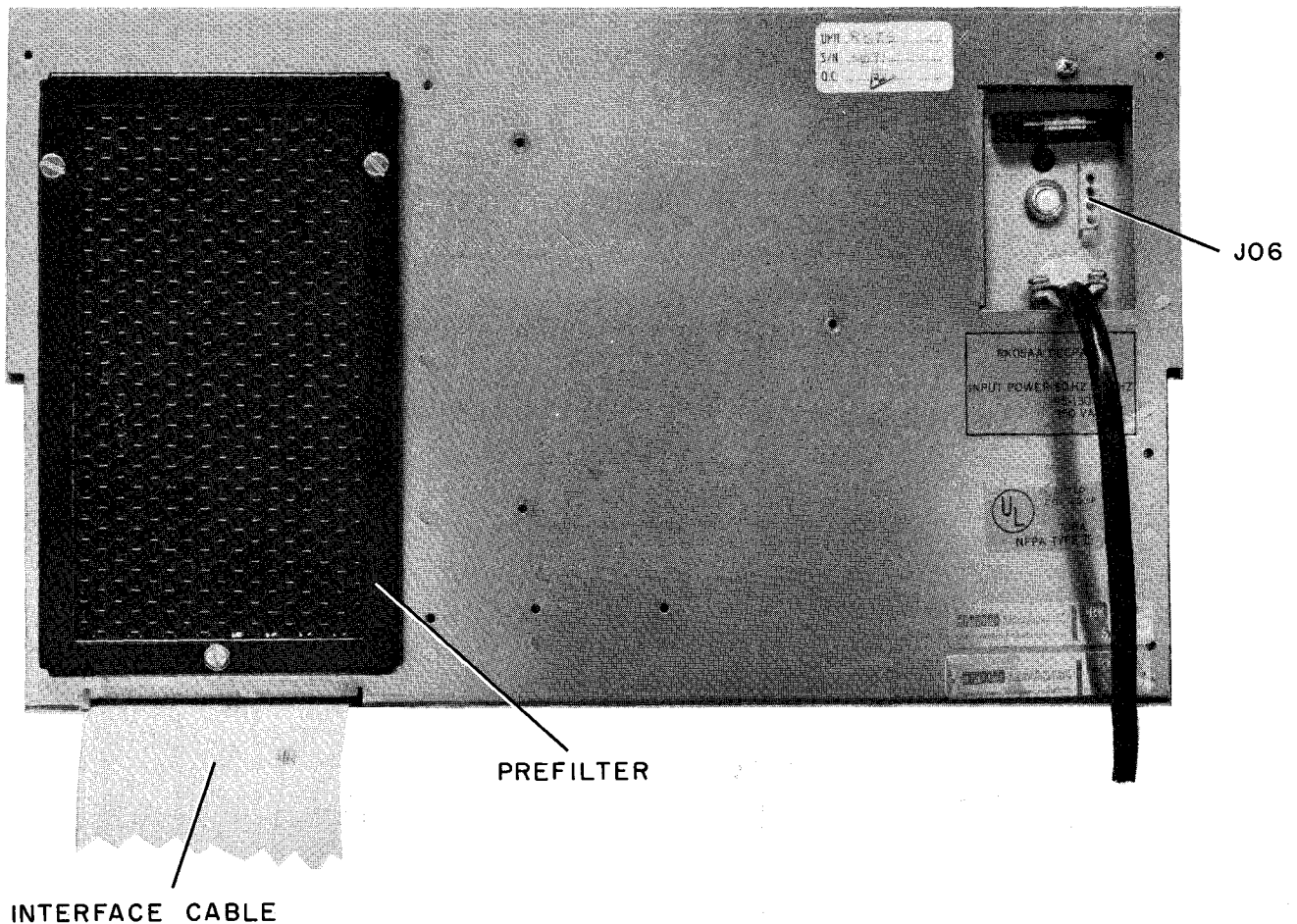


Figure 2-2 RK11C or RK11D Interface Cable Installation

2.2 MECHANICAL INSTALLATION AND CHECKOUT

If the RK05 Disk Drive is to be installed in an existing rack, the chassis slides should first be installed in the rack (Figure 2-3). The disk drive should be mounted on the chassis slides as follows: (If necessary, refer to the RK05 Option Configuration Dwg. No. D-OC-RK05-0-15 for detailed mechanical specifications of a multidrive installation.)

1. Install cabinet stabilizers before mounting the drive, unless the weight of the rack is sufficient to prevent tipping when the drive is fully extended.
2. Pull the chassis slides out until they lock in the extended position.
3. Slide the drive onto the chassis slides until it locks.
4. Remove the drive bottom cover and remove the screws that attach the three internal shipping brackets to the baseplate (Figure 2-1a).
5. Remove the drive top cover and remove the mounting screw and shipping strap from the linear positioner (Figure 2-1b). Turn the shipping strap upward and replace it on the linear positioner. Pull the heads forward as far as possible without going off the ramp (Figure 1-7) and confirm that the batteries (Figure 1-1) return the heads to the home position.

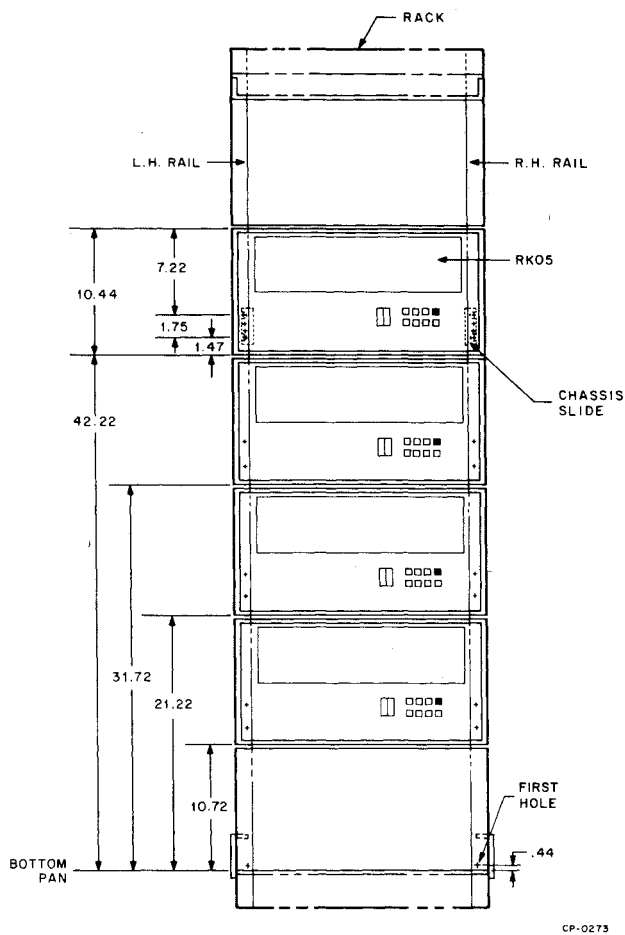


Figure 2-3 Chassis Slide Mounting

6. Inspect P2 (Figure 5-3) and the spindle pulley to ensure that the drive is configured properly for the input power to be used. If P2 contains two jumpers, the supply is configured for 115 Vac operation. If P2 contains only one jumper, the supply is configured for 230 Vac. The operating frequency is stamped on the spindle pulley.
7. Check the logic assembly to ensure that no pins are bent or broken, and then plug the interface cable card into card position 7 or 8 of the logic assembly. If there is only one drive in the system, or if this is the last drive of the daisy-chain, ensure that an M930 terminator card (Dwg. No. RK05-0-2) is in the unused interface card position.

8. If RK05 drives are daisy-chained with RK03 drives in a multidrive installation, arrange the RK05s consecutively at the controller end of the bus to avoid interruption of the AC LOW and DC LOW interface lines, which are not carried by the RK03s. If this arrangement is not possible, connect all RK05s that are separated on the bus by RK03s by means of separate cables between their J06 connections (Figure 2-2).
9. If the drive is to be connected to other than an RK11-C or RK11-D controller, install the interface cables as follows:
 - a. Remove the prefilter and frame.
 - b. Route the interface cables through the prefilter opening and reinstall the filter and frame so that the cables fit into the slot on the side of the frame (Figure 2-4).
 - c. Route the cables over the prefilter and fold them as indicated in Figure 2-4.
 - d. Place the cable retaining bracket over the fold in the cables and fasten the bracket to the chassis.
10. If the drive is to be connected to an RK11-C or RK11-D controller, install the interface cables either as described in Step 9, above, (which is preferable) or as follows:
 - a. Fold the interface cables and route them through the slot just below the prefilter at the rear of the drive cabinet (Figure 2-4).
 - b. Hold the cables in position and replace the bottom cover.
11. To avoid random errors, confirm that the grounding strap is firmly in place between the base plate and the chassis, and that brushes are mounted securely and in the proper plane. Confirm that all connectors are securely in place.
12. Configure the M7700 select switch to address a valid drive (Paragraph 3.2.2).
13. Plug the power cord into the switched ac line receptacle.

A = SINGLE FOLD
B = DOUBLE FOLD

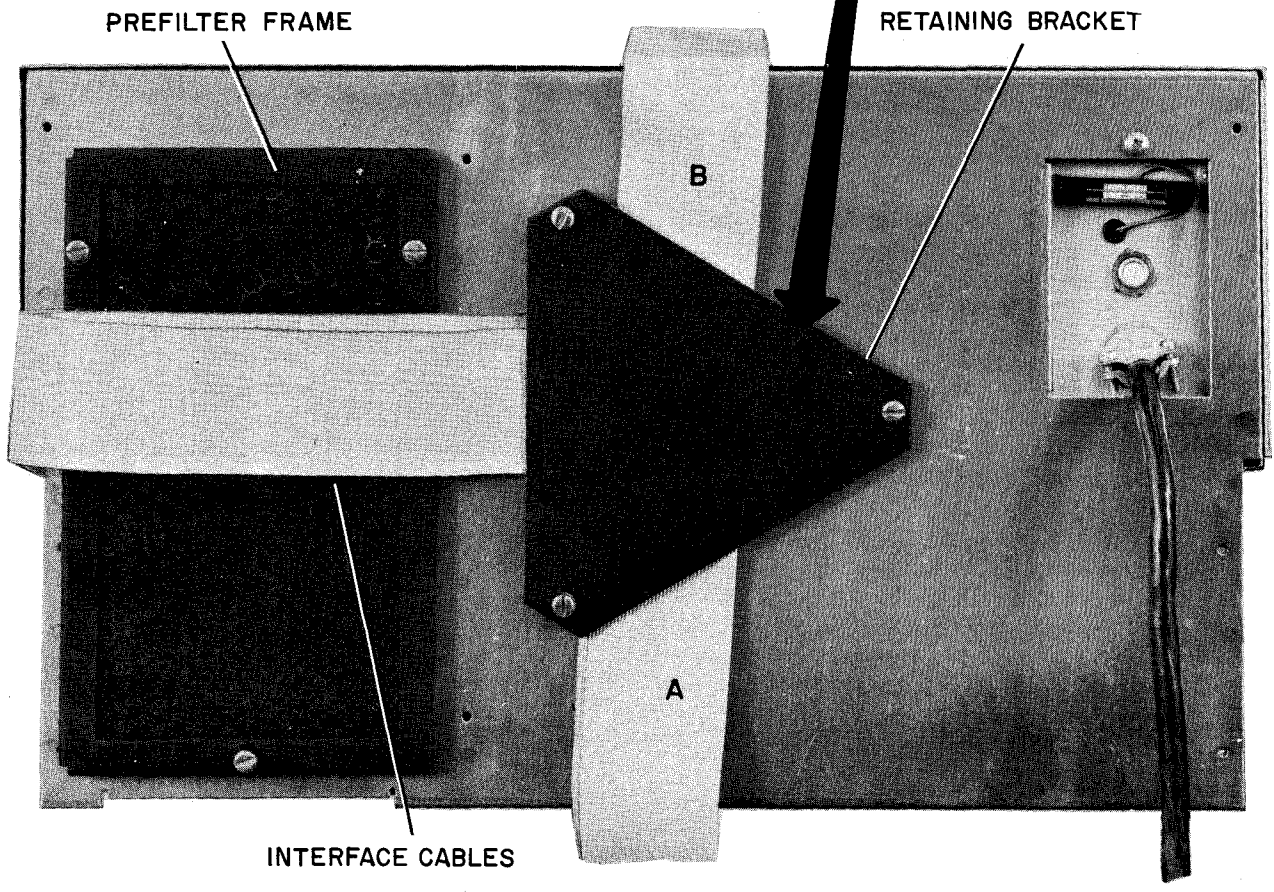
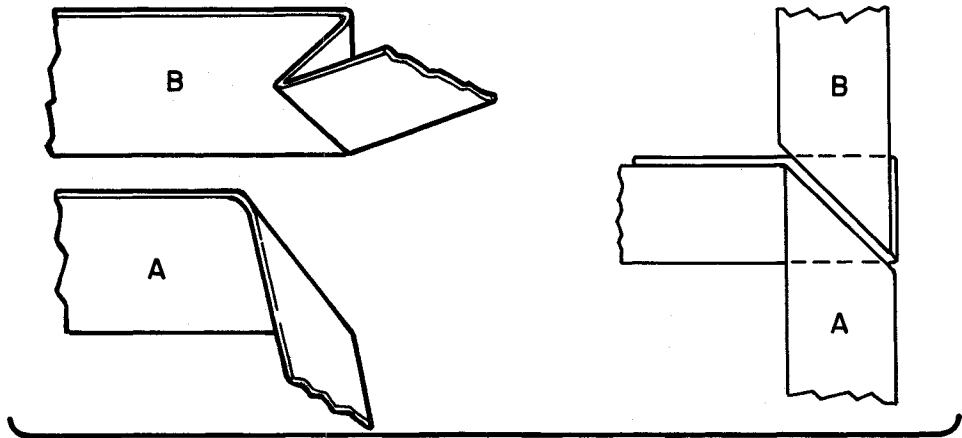


Figure 2-4 RK8/E Interface Cable Installation

14. Turn the processor keyswitch ON to apply power to the drive.
15. Check that the spindle is clean, and that the heads are not bent or dirty.
16. Install a test cartridge on the spindle (Paragraph 5.4.1) and check the head alignment with a checking scope. Then run the appropriate diagnostic tests to ensure proper electrical and mechanical drive operation.

2.3 CARTRIDGE HANDLING PRACTICES AND PRECAUTIONS

To obtain maximum performance and high reliability from the RK05 Disk Drive, the following precautions and cartridge-handling practices must be observed:

1. Store cartridges in a clean, dry area away from direct sunlight. Do not expose cartridges to heat. They may be stored on edge or stacked; however, stacks of more than 3 or 4 cartridges should be avoided. Do not place heavy items on the plastic cartridge cases. Do not store cartridges on top of computer cabinets or in places where dirt can be blown by fans into cartridge interiors.
2. Whenever a cartridge is not in a drive, enclose it in a plastic bag to exclude dust or dirt.
3. Professional cartridge disassembly and cleaning is required every six months; however, disks should be cleaned whenever they are excessively dirty, or when a high transient error rate is encountered. In such instances, a disk-cleaning service, listed by Digital Equipment Corporation, should be contacted at once.
4. Place stiff cardboard or plastic labels only in the molded frame at the front edge of the disk cartridge without using any adhesives. Labels placed on any other part of the cartridge may interfere with the drive operation or introduce contamination into the drive or the interior of the cartridge.
5. Allow the temperature of the cartridge to become stabilized with the room temperature before using the cartridge. If cartridges are exposed to outside temperature extremes, or if the temperature differential between drive and cartridge exceeds 20° F, a two-hour stabilization period is necessary.

6. Although cartridges recorded on RK03s and RK05s are fully interchangeable, allow them to stabilize before new data is recorded on them. Data interchangeability between drives is only guaranteed if the temperature difference does not exceed 30° F (17° C), even though a specific drive/cartridge combination may operate over a temperature range of 50° to 110° F (10° to 43° C).
7. Keep the spindle hub clean and free from nicks and burrs to ensure reliable cartridge operation. Because the hub is slightly magnetic, do not expose it to metal chips that could adhere to the mounting surface. Periodically inspect the coupling hub on the bottom of the disk cartridge for dirt, metal chips, plastic chips in cone, etc.
8. A sustained tinging, scratching, or rumbling sound (*not* to be confused with spindle ground brushes) that is the result of head-to-disk contact may occur if the cartridge is not properly seated on the spindle, if excessive contamination has built up in the interior of the cartridge, or if the cartridge or the drive is defective. If this sound is heard, shut down the drive immediately to avoid damage to the read/write heads. Remove the disk cartridge and examine the heads for damage or excessive dirt. If necessary, clean or replace the heads. Do not reuse the cartridge without first checking it for surface damage.

CAUTION

NEVER CYCLE A BAD CARTRIDGE THROUGH AN INSTALLATION OF SEVERAL DRIVES. This practice can ruin all the read/write heads or contaminate all drives in a multidrive installation, which will, in turn, damage all other cartridges run in these drives.

9. Always keep the front door of the drive closed and keep all covers on to prevent unnecessary entry of atmospheric dirt or dust.

2.4 CARTRIDGE PACKING AND SHIPPING

Data recorded on disk cartridges may be degraded by exposure to any sort of small magnet brought into intimate contact with the disk surface. If cartridges are to be shipped in the cargo hold of an aircraft, precautions are necessary against possible exposure to magnetic sources. Because physical separation from the magnetic source is the best

protection against accidental erasure of a cartridge, cartridges should be packed at least three inches within the box. This amount of separation should be adequate to protect against any magnetic sources likely to be encountered during transportation, making it generally unnecessary to ship cartridges in specially shielded boxes.

2.5 NORMAL OPERATING PROCEDURES

All drives in a multidrive system must have operating power applied even when the drive is not in use. In addition, unused drives should be left write-enabled, and with the RUN/LOAD switch in the LOAD position.

IMPORTANT: ON EARLIER MODEL RK05 DISK DRIVES EQUIPPED WITH A POWER ON/OFF SWITCH, DO NOT USE THE ON/OFF SWITCH DURING SYSTEM OPERATION TO REMOVE OPERATING POWER FROM AN INDIVIDUAL DRIVE.

Because the DC LOW interface signal is common to all drives in a multidrive system, a power loss in any one drive disables all the drives in the system. If the drive power is controlled by a processor keyswitch, all drive ON/OFF switches should be left ON; however, all RUN/LOAD switches should be set to LOAD before system power is removed.

2.5.1 Cartridge Loading

The procedure for cartridge loading is as follows:

1. Set the RUN LOAD switch on all drives to LOAD and observe that the LOAD indicator lights.

CAUTION

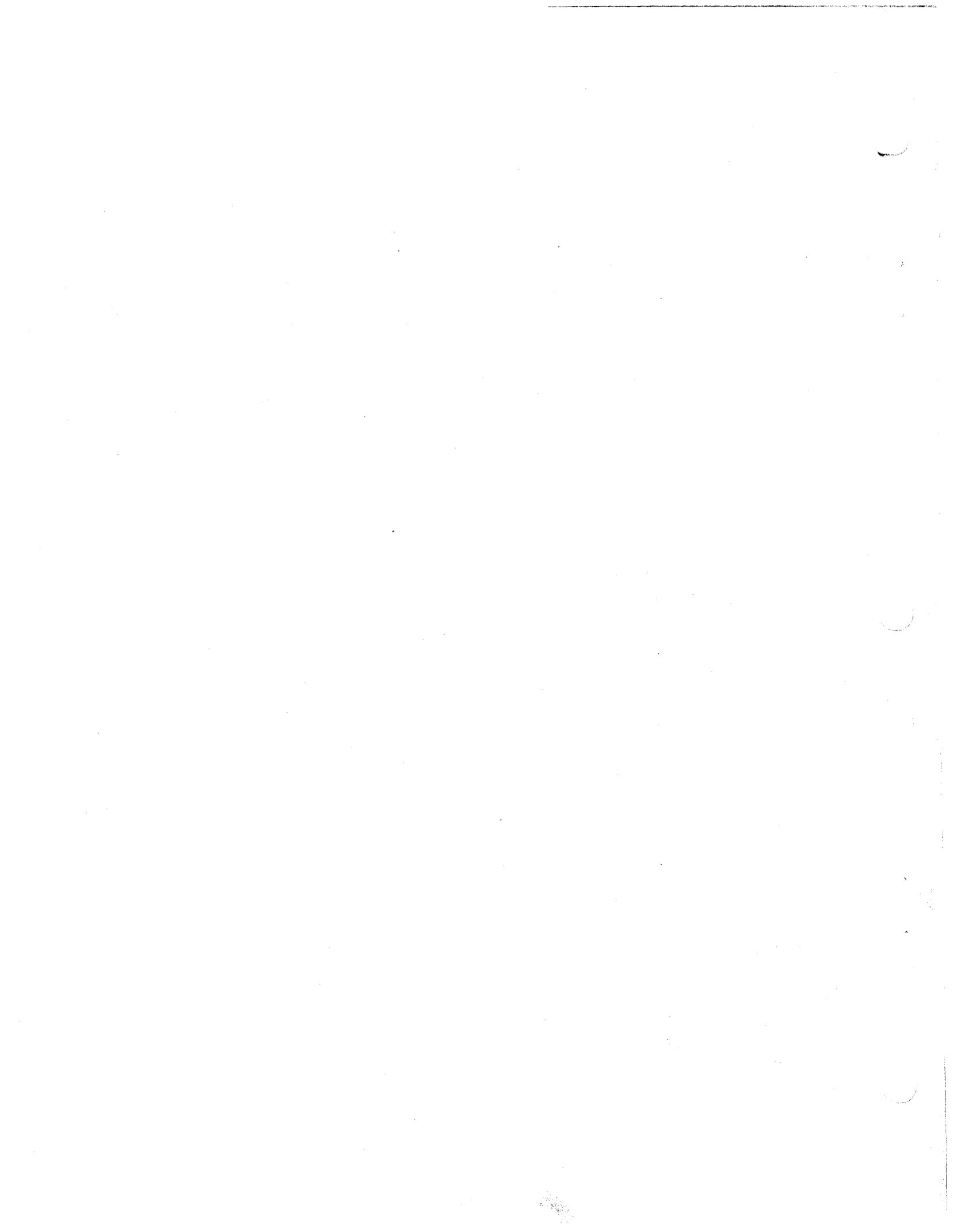
If the LOAD indicator is not lit, the drive front door is locked. In this case, do not attempt to force the front door open.

2. Open the front door of the drive and *gently* insert a clean, operable disk cartridge fully into the cartridge receiver. **DO NOT TWIST OR FORCE THE CARTRIDGE DURING INSERTION!**
3. Close the front door of the drive and set the RUN/LOAD switch to RUN.
4. Wait for the RDY and ON CYL indicators to light, the drive is now ready to perform seek, read, or write operations.

2.5.2 Cartridge Unloading

The procedure for cartridge unloading is as follows:

1. Set the RUN/LOAD switch to LOAD and observe that the RDY indicator goes out. After approximately 30 seconds, the LOAD indicator will light.
2. Open the drive front door and *gently* withdraw the disk cartridge.
3. If another cartridge is not loaded, close the drive front door to prevent unnecessary entry of atmospheric dirt or dust.
4. Store the cartridge in a clean plastic bag.



CHAPTER 3

INTERFACE

3.1 GENERAL

The flexibility achieved with the address select logic and the eight-position address select switch permits the RK05 Disk Drive to be connected to a variety of computer systems. In the RK11-C and RK8/E systems, up to four drives can be serially connected to a single bus; in the RK11-D system, up to eight drives can be serially connected.

Interface cable connection of the RK05 Disk Drive is made to card position 7 or 8 of the electronic module. These card positions are parallel-wired so that several drives may be daisy-chained in a multidrive configuration; that is, card position 7 or 8 of the first drive is connected to card position 7 or 8 of the succeeding drive, etc. (By convention, card position 7 is used for input signals; card position 8 is used for output signals.) If there is only one drive in the system, an M930 terminator card must be installed in the unused interface card position; if there is more than one drive in the system, only the last drive on the bus must have the M930 terminator card in the unused interface card position. The interface signal levels are determined by the M930 terminator card. An assertion, or logic 1, is approximately +0.5 Vdc, and a negation, or logic 0, is approximately +3.5 Vdc.

Figure 3-1 illustrates and the following paragraphs describe the function of each interface line. The signals listed, being bus signals, operate according to negative logic; they are asserted low. Appendix A contains a glossary of RK05 backplane connections.

3.2 INPUT INTERFACE LINES

3.2.1 RK11-D

This line (BUS RK11-D L) transmits a signal that configures the address select logic to operate with a particular controller type. A logical 0 on this line indicates that the controller is not an RK11-D (thus, the controller is either an RK11-C or an RK8/E, both of which control only four drives on a single bus), while a logical 1 indicates that the controller is an RK11-D.

3.2.2 Select (4 lines)

BUS SEL DR 0/A/E, 1/B/F, 2/C/H, and 3/D/J L operate in conjunction with the RK11-D interface line and an eight-position address select switch on the M7700 card to determine the drive address assignment and selection by one of the following two methods:

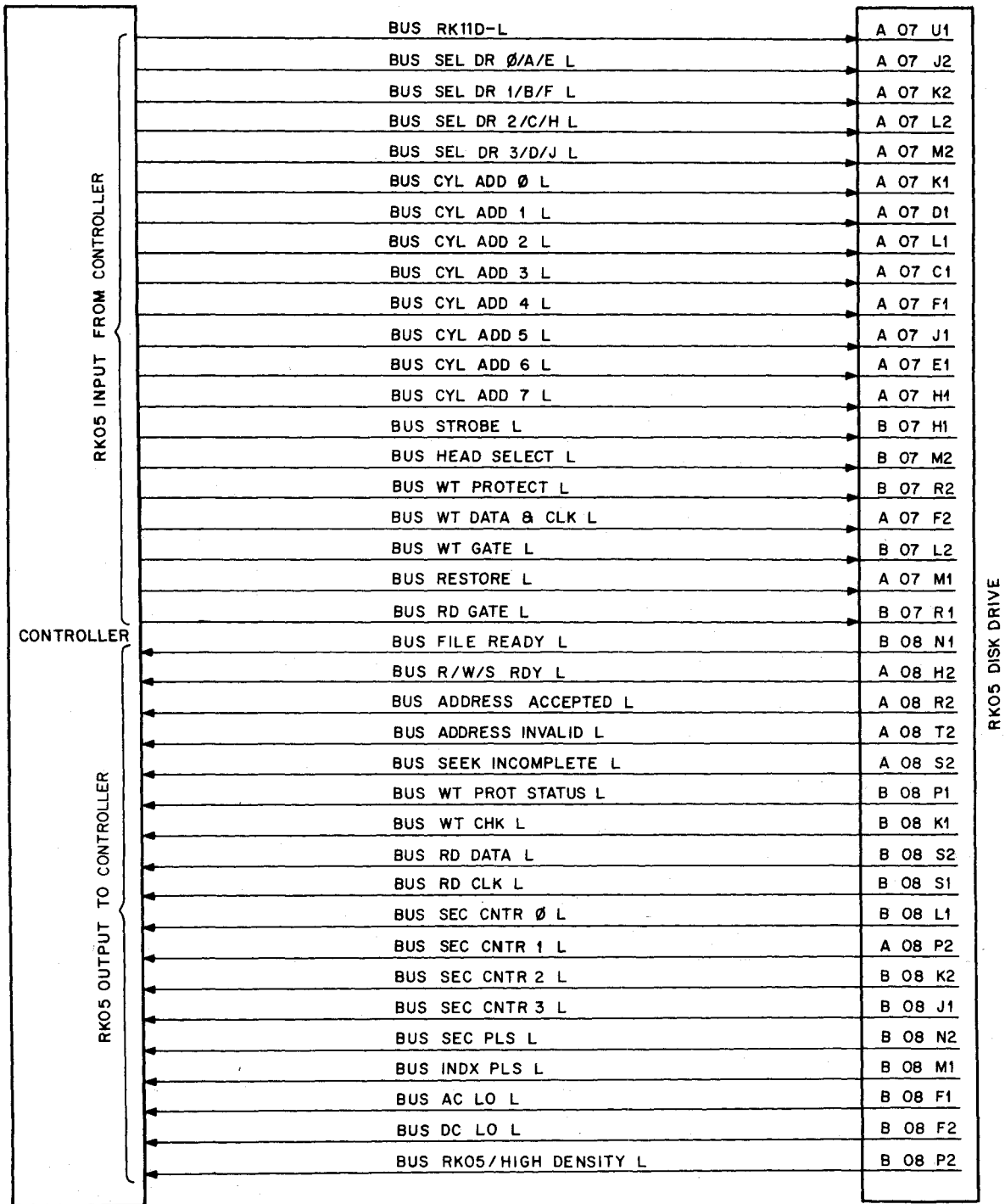
- a. With a logical 0 on the RK11-D line, the M7700 selection circuit is configured to decode the four selection lines as a linear set. In a particular drive, only one of the four lines is internally connected (via positions 0 through 3 of the address select switch) to the drive control logic. To select a drive, the controller places a logical 1 on the desired select line. This line remains at logical 1 throughout the entire data transfer or control operation.
- b. With a logical 1 on the RK11-D line, the M7700 selection is configured to decode the four selection lines as a binary-encoded set. To select a drive, the controller places a 3-bit binary code, which corresponds to the drive address, on these select lines. This binary code is then translated by a three-line-to-eight-line decoder to activate only one of the eight address select switch positions.

3.2.3 Cylinder Address (8 lines)

BUS CYL ADD 0 L through BUS CYL ADD 7 L determine the cylinder position of the read/write heads. In order to move the heads to a desired cylinder, the controller places a corresponding 8-bit binary code on the lines (valid codes=0 through 202₁₀). These lines are gated by the Strobe signal to position the heads at the selected cylinder. The binary code remains on the lines until either the Address Acknowledged or the Address Invalid signal is returned from the drive (Paragraph 3.3.3).

3.2.4 Strobe

BUS STROBE L transmits a signal that gates the Cylinder Address or Restore line. The controller places a logical 1 on the Strobe line, only after the Cylinder Address or the Restore signals are fully settled on their respective lines.



CP-0841

Figure 3-1 Controller/RK05 Disk Drive Interface Lines and Pin Assignments

The Strobe line remains at logical 1 until either the Address Acknowledged or the Address Invalid signal is returned from the drive.

3.2.5 Head Select

BUS SEL UPPER HD L transmits a signal that determines which of the two read/write heads is to be selected. The controller places a logical 1 on this line to select the upper head, and a logical 0 to select the lower head. Either signal remains on the line throughout the entire read or write operation.

3.2.6 Write Protect Set

BUS WT PROTECT L transmits a signal that disables the drive write amplifiers to prevent a write operation. The controller places a logical 1 on this line to set the Write Protect flip-flop and inhibit the write capability of the drive. The Write Protect flip-flop is also set if the WT PROT indicator is off and the operator presses the WT PROT switch (Paragraph 1.4.1).

3.2.7 Write Data and Clock

BUS WT DATA & CLK L transmits multiplexed data and clock pulses to the disk drive.

3.2.8 Write Gate

BUS WT GATE L transmits a signal to simultaneously turn on both the write and erase current in the selected write head. The controller places a logical 1 on this line 1 μ s prior to transmitting the write data. This line remains at logical 1 throughout the data transmission time.

3.2.9 Restore (RTZ)

BUS RESTORE L transmits a signal to position the read/write heads at cylinder zero. The controller places a logical 1 on this line prior to issuing the Strobe (BUS STROBE L) signal. About 2 μ s after this signal is issued, the drive returns an Address Acknowledged signal, clears the address register, and moves the heads to cylinder zero. The Restore line remains at logical 1 until the Address Acknowledged signal is received by the controller.

3.2.10 Read Gate

BUS RD GATE L transmits a signal that allows data to be read from the drive. The controller places a logical 1 on this line to enable the Read Clock and Read Data output lines. This line remains at logical 1 throughout the entire read operation.

3.3 OUTPUT INTERFACE LINES

3.3.1 File Ready (Drive Ready)

BUS FILE RDY L transmits a logical 1 to indicate the following conditions:

- a. Drive operating power is correct.
- b. A disk cartridge is properly loaded.

- c. The drive front door is closed.
- d. RUN/LOAD switch is in the RUN position.
- e. Spindle is rotating at the correct speed.
- f. Read/write heads are loaded.
- g. Write Check is false.

3.3.2 Read, Write, or Seek Ready/On Cylinder

BUS R/W/S RDY L transmits a logical 1 to indicate that the drive is in the File Ready condition (Paragraph 3.3.1) and is not performing a seek operation.

3.3.3 Address Accepted

BUS ADDRESS ACCEPTED L transmits a 5- μ s negative pulse to indicate that the drive has accepted a Seek command with a valid address and the command execution has begun. The negative pulse is generated about 2 μ s after receipt of the Strobe signal, even if there is no change from the present address.

3.3.4 Address Invalid (Logic Address Interlock)

BUS LOG ADD INT L transmits a 5- μ s negative pulse to indicate that the drive has received a nonexecutable Seek command with a cylinder address greater than 202. For this case, the Seek command is suppressed in the drive and the heads are not moved. The pulse generation time is the same as for the Address Acknowledged signal.

3.3.5 Seek Incomplete

BUS SIN L transmits a logical 1 to indicate that some malfunction in the drive did not allow the seek operation to be completed. This line remains low until a Restore command is received or the operator sets the RUN/LOAD switch to LOAD and then back to RUN.

3.3.6 Write Protect Status

BUS WT PROT STATUS L transmits a logical 1 to indicate that the write capability of the drive is inhibited (write protected). When this line is at logical 1, the WT PROT indicator on the drive control panel lights (Paragraph 1.4.1).

3.3.7 Write Check

BUS WT CHK L transmits a logical 1 to indicate the following conditions:

- a. Erase or write current without a WRITE GATE.
- b. Inoperative linear positioner transducer lamp.

When the Write Check signal is at a logical 1, all external commands to the drive are suppressed and the FAULT indicator on the drive control panel lights. If the fault condition is temporary, the operator may turn off the FAULT indicator by pressing the WT PROT switch. This

action, however, causes the WT PROT indicator to light; the WT PROT switch must be pressed a second time to turn off the WT PROT indicator (Paragraph 1.4.1).

3.3.8 Read Data

BUS RD DATA transmits read data only (160-ns pulses).

3.3.9 Read Clock

BUS RD CLK L transmits read clock pulses only (160-ns pulses).

3.3.10 Sector Address (4 lines)

BUS SEC CNTR 0 through 3 L indicate which sector is passing under the read/write heads. The sector address is a 4-bit binary code derived from the Sector Address counter.

3.3.11 Sector Pulse

BUS SEC PLS L transmits a 2- μ s negative pulse each time a sector slot passes the sector transducer. The index slot (unique slot) is suppressed in this line and is transmitted on a separate Index Pulse line.

3.3.12 Index Pulse

BUS INDX PLS L transmits a single 2- μ s negative pulse for each revolution of the disk. The Index Pulse occurs 600 μ s

after the last sector pulse and is generated each time the index slot (unique slot) is detected by the sector transducer.

3.3.13 AC Low

BUS AC LO L transmits a logical 1 when there is a loss (for more than 45 ms) of the 30 Vac within the drive. When AC Low occurs, the drive finishes reading/writing the current sector, then initiates a normal head-retract and unload cycle. If a total power loss occurs before the heads are completely retracted, the safety relay is de-energized to retract the heads under battery power (emergency retract).

3.3.14 DC Low

BUS DC LO L transmits a logical 1 when the ± 15 Vdc within the drive drops to 12 Vdc or below. When DC Low is generated, the safety relay is de-energized to retract the heads under battery power (emergency retract). Since the RUN gate of each drive is connected to the DC Low bus, a DC Low signal from any one drive in a multidrive system disables all the drives in the system.

3.3.15 High Density/RK05 L

BUS RK05 L transmits a logical 1 (indicating high density only) whenever the drive is selected. (All RK05s are high density.)

CHAPTER 4

THEORY OF OPERATION

4.1 FUNCTIONAL DESCRIPTION

Figure 4-1 illustrates the major areas and associated signals of the RK05 Disk Drive. Together they rotate the recording disk, align the heads at a specified cylinder, and perform the read and write functions.

Paragraphs 4.1.1 through 4.1.5 describe the major operations of the disk drive; Paragraphs 4.2.1 through 4.5 describe the detailed logical sequence of each major operation.

4.1.1 Start

During the start cycle, the control and interlock logic controls the spindle motor operation. To energize the spindle motor, the RUN/LOAD switch must be in the RUN position and the following interlock conditions must be present:

- a. Operating power must be applied to all drives.
- b. The drive front door must be closed.
- c. The disk cartridge must be properly installed.

If these interlock conditions are fulfilled, the spindle motor is energized. After an 8-second delay, to allow the spindle to accelerate to operating speed, the control and interlock logic generates an internal LOAD HEADS signal, which loads the read/write heads and positions them at cylinder zero (Paragraph 4.2.5.1). When the heads are loaded and positioned at cylinder zero, the RDY and ON CYL indicators light, and the BUS FILE RDY and R/W/S RDY/ON CYL interface lines go low.

Figure 4-2 illustrates the logical sequence during the start cycle. Paragraph 4.2.2 contains a detailed description of the preceding sequence.

4.1.2 Stop

The disk drive can enter a stop cycle in three ways:

- a. Placing the RUN/LOAD switch to LOAD
- b. Losing spindle speed
- c. Losing operating power in any drive on the bus.

If any of the preceding conditions occur, the control and interlock logic removes the internal LOAD HEADS signal and brings the BUS FILE RDY interface line high. When LOAD HEADS is removed, the positioner control logic retracts the read/write heads. After the heads are fully retracted, the spindle motor is de-energized and the spindle coasts to a stop (about 30 seconds). When the spindle has stopped rotating, the LOAD indicator lights and the drive front door unlocks.

Figure 4-3 illustrates the logical sequence during the stop cycle. Paragraph 4.2.3 contains a detailed logic description of this sequence.

4.1.3 Track Addressing and Head Positioning

To move the read/write heads from a current location to a new location above the disk (a seek operation), a selected drive must first receive an 8-bit binary cylinder address from the controller. If the new address exceeds cylinder 202, the BUS ADDRESS INVALID L (Logic Address Interlock) interface signal is generated and head motion is suppressed. If the new address does not exceed cylinder 202, the BUS ADDRESS ACCEPTED L interface signal is generated and the new address is compared to the current address. The comparison result (difference) is fed to a positioner servo system to move the heads.

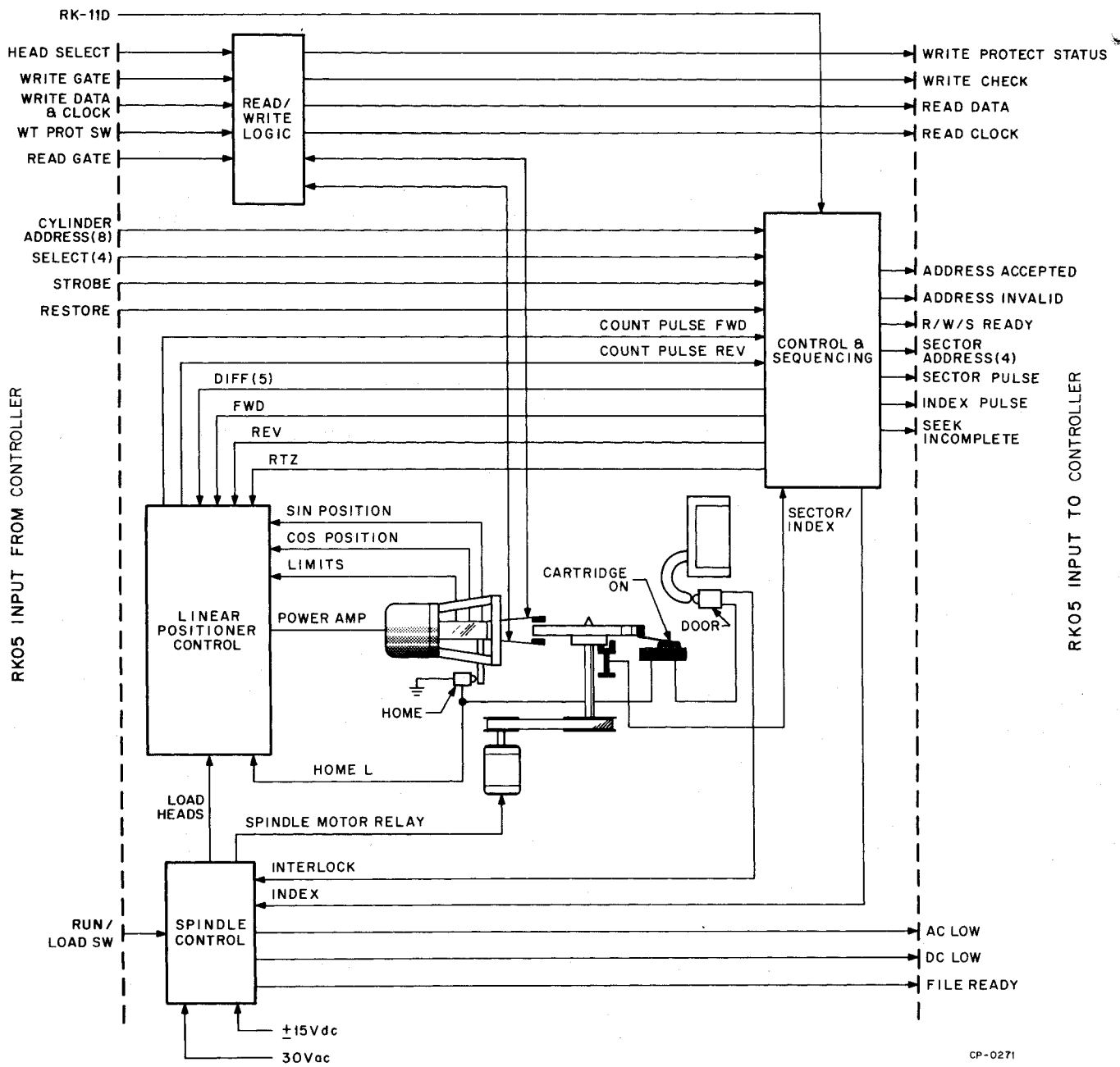
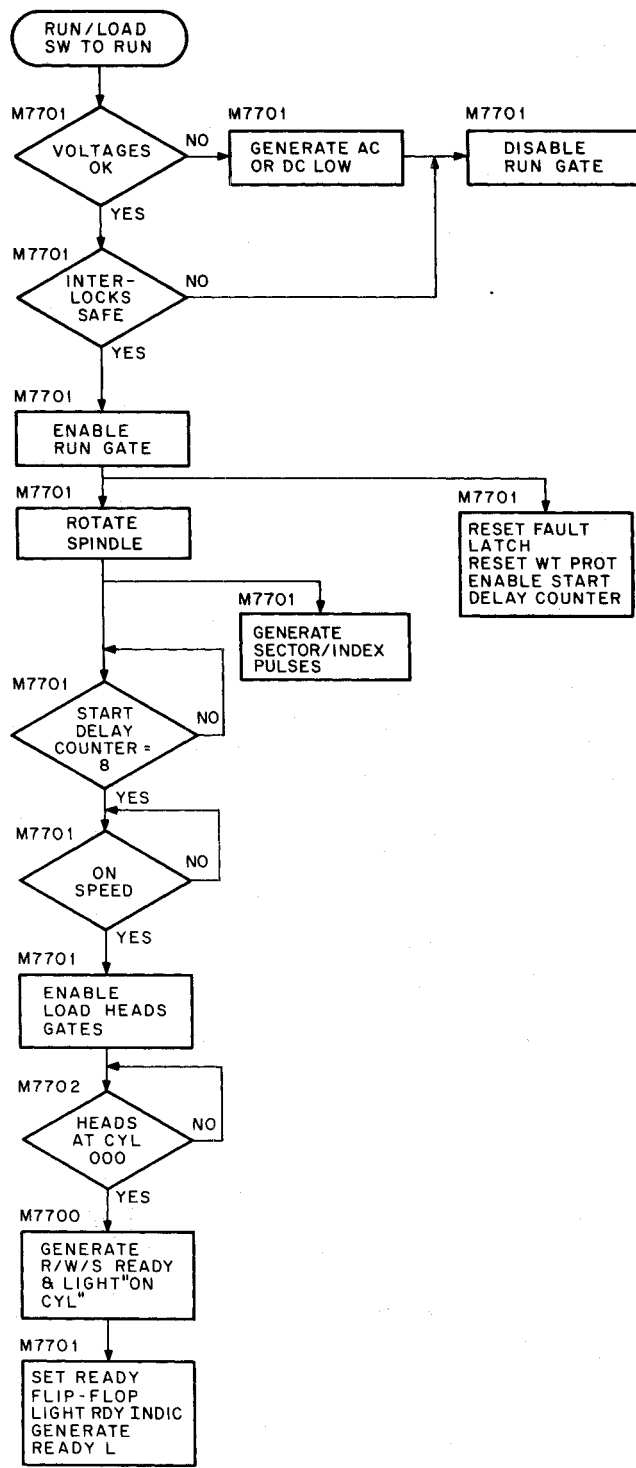


Figure 4-1 Functional Block Diagram



CP-0241

Figure 4-2 Start Flow Chart

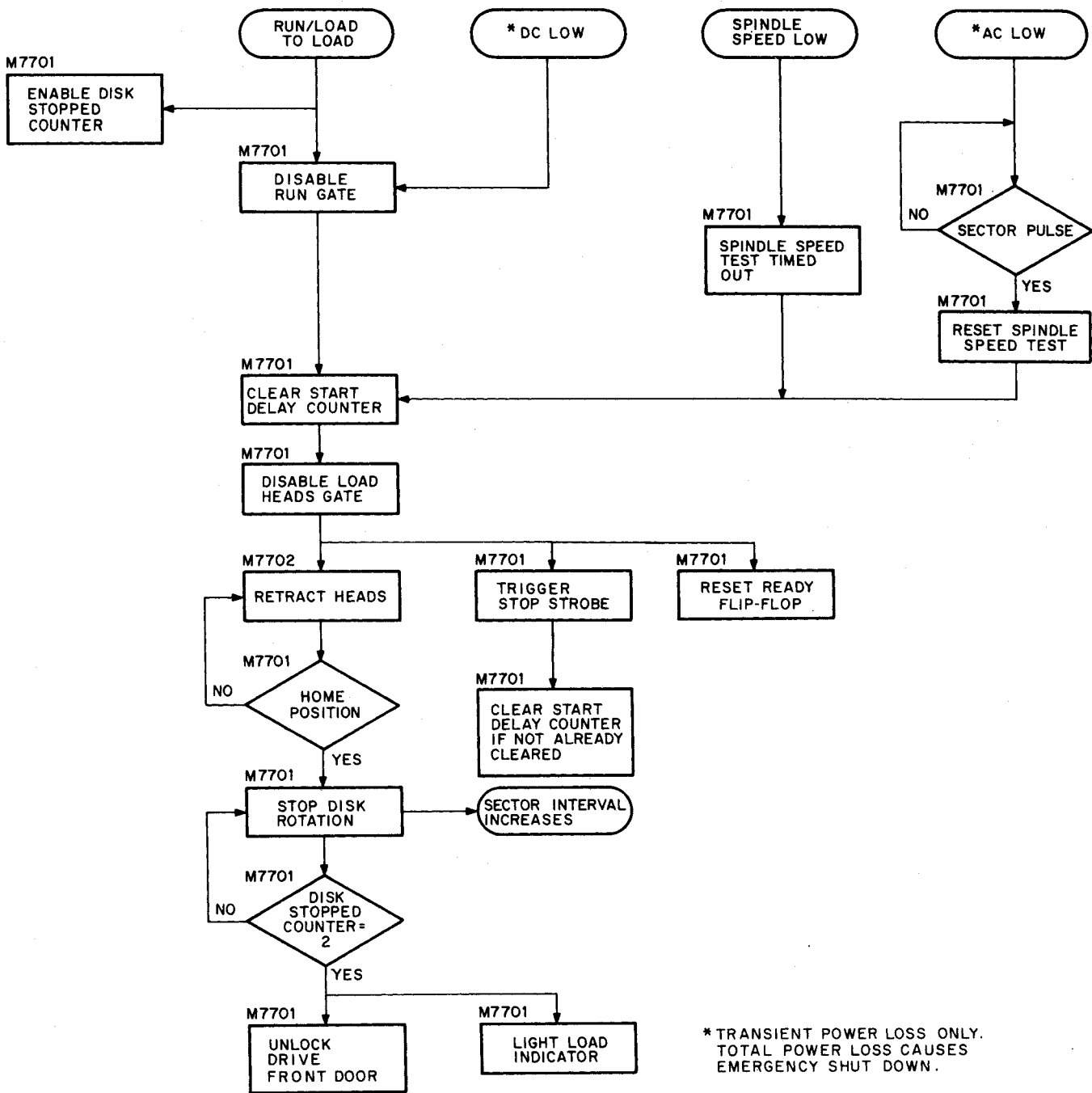


Figure 4-3 Stop Flow Chart

As the heads pass each cylinder, output pulses from the linear positioner transducer trigger a Difference register to control the velocity of head motion (Paragraph 4.3). As the heads approach the destination cylinder, the head positioner decelerates, eventually stopping the heads at the designated cylinder. After a small delay, to allow the heads to settle at the new location, the ON CYL indicator on the control panel lights and the R/W/S READY interface line goes low.

If, at any time during the seek operation, a return-to-zero (Restore) command is received or the heads reach the inner limit of the disk, the seek operation is immediately terminated and the heads are retracted to cylinder zero.

Figures 4-4 and 4-5 illustrate the logical sequence during a seek or return-to-zero operation. Paragraph 4.2.5 contains a detailed logic description of this sequence.

4.1.4 Recording Technique

Each head is a four-terminal, magnetic device containing two coils. A center-tapped coil performs the read or write function, while the other series-connected coil performs the erase function. The head (Figure 4-6) is designed so that the erase coil is electrically connected to the center tap of the read/write coil and is energized (Figure 4-7) whenever a write operation occurs. This head configuration, called "straddle erase", erases most of the residue from previous recording between the .006 in. wide tracks and thus eliminates track "crosstalk" or interference from such recording. During a write operation, current through the write coil automatically overwrites old data.

The RK05 Disk Drive uses a double-frequency, non-return-to-zero (NRZ) method of magnetic recording. In this method, flux reversals (clock pulses) are recorded on the magnetic disk at regularly spaced intervals (Figure 4-8). The time period between these clock pulses is a bit cell, and data storage occurs within these cells. A flux reversal during a bit cell represents a logical 1, while the absence of a flux reversal during a bit cell is a logical 0.

4.2 LOGICAL DESCRIPTION

4.2.1 Power On/Off Sequence

Application of ac power lights the PWR indicator, turns on the blower, energizes the various voltage regulators, and activates the elapsed time indicator. If ac power is removed when the read/write heads are not in the "home" position, the home microswitch applies battery power to the linear motor, retracting the heads to "home".

4.2.2 Start

Figure 4-9 is a block diagram illustrating the control and interlock aspects of the start/stop cycle. Although some logic elements are indicated, this figure is principally intended to simplify the actual gating and signal flow. If any gate-chasing or logic analysis is anticipated, refer to the M7701 circuit schematic.

Placing the RUN/LOAD switch on the front control panel in the RUN position enables the Run gate, provided that:

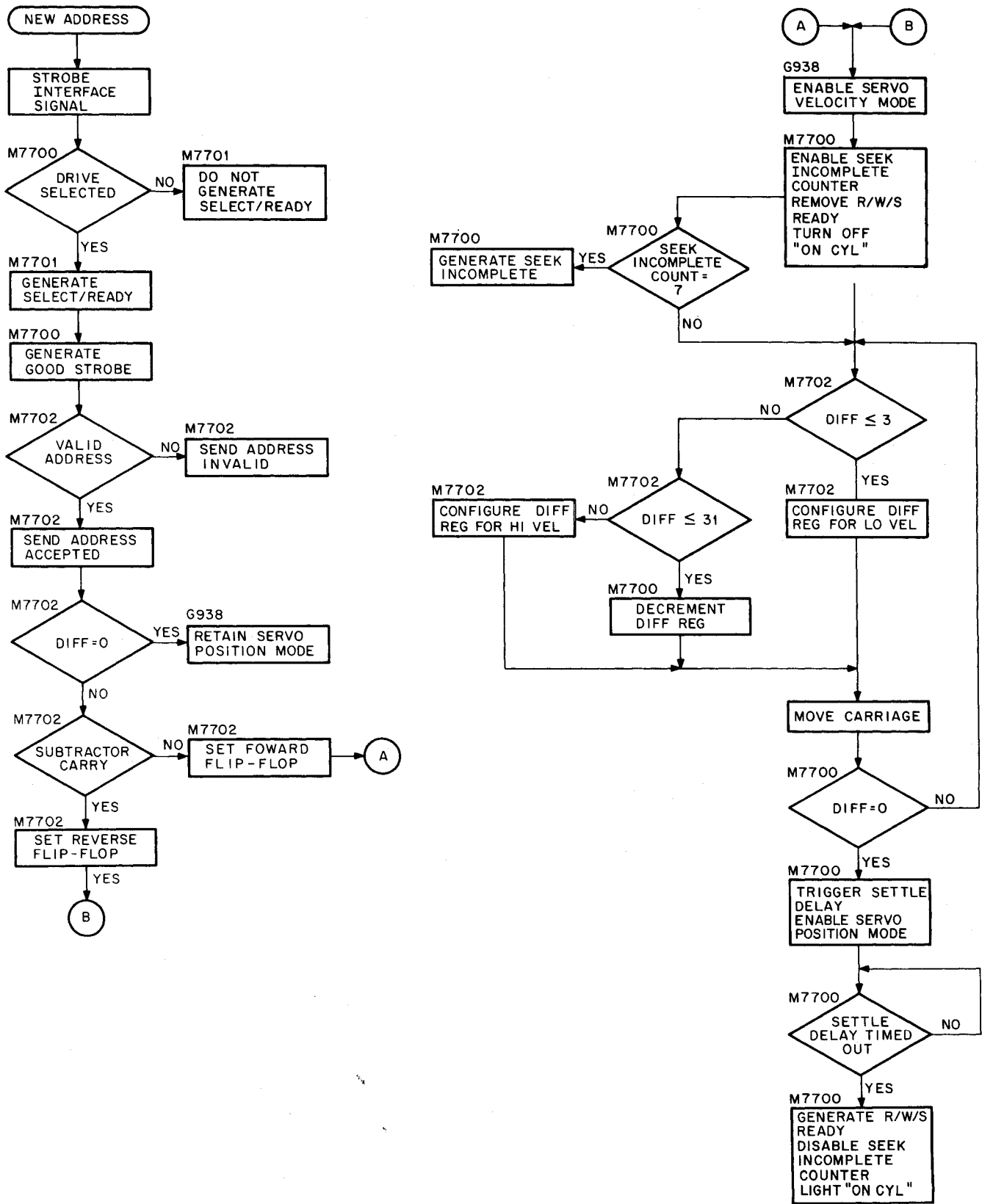
- a. A disk cartridge has been properly installed.
- b. The drive front door is closed and locked.
- c. The +15 and -15 Vdc are above 12 Vdc and the +5 Vdc is above 4.6 Vdc (Paragraph 4.2.3.4).

With the Run gate enabled, the spindle motor latch is set to energize the spindle motor relay and initiate disk rotation. At the same time, the Start Delay counter begins to count pulses (at a rate of one pulse per second) from the Slow Clock. When a count of eight (8 seconds) is reached, a feedback output from the counter prevents it from incrementing further. By this time, if the spindle has accelerated to the correct operational speed (Paragraph 4.2.3.2), the set output from the On Speed flip-flop is ANDed with the Start Delay counter output to enable the Load Heads gate and produce the LOAD HEADS signal. This signal enables the D input of the Ready flip-flop, and also allows the positioner to move the read/write heads to cylinder zero (Paragraph 4.2.5.1). Once the heads are positioned and settled at cylinder zero, the signal R/W/S READY is produced, lighting the ON CYL indicator (M7700) and clocking the Ready flip-flop set. When the Ready flip-flop sets, the BUS FILE RDY interface signal is produced and the RDY indicator on the control panel lights. The drive is then ready to perform a seek, read, or write operation.

4.2.3 Stop

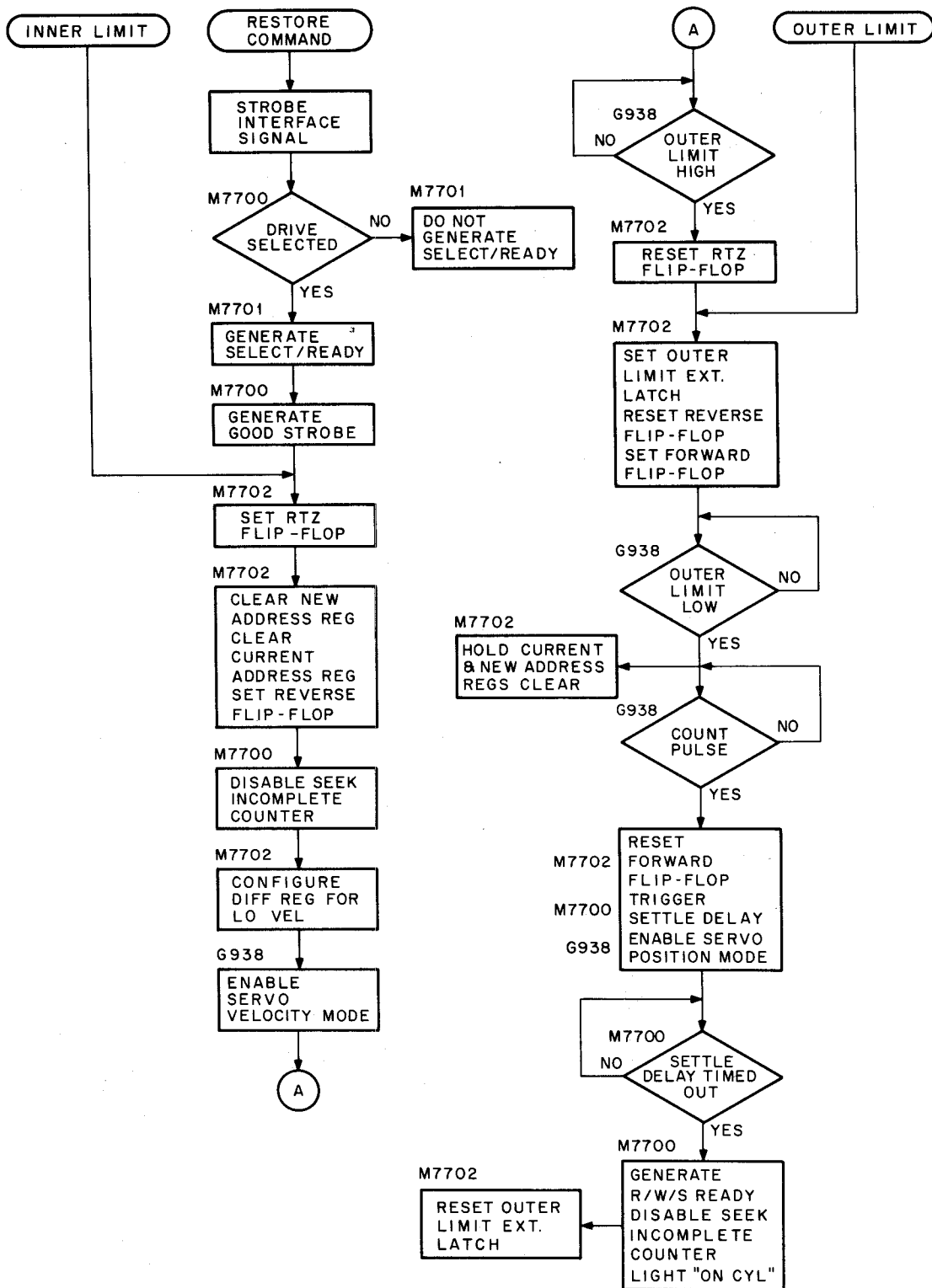
The following paragraphs describe the ways that the disk drive can enter a stop cycle. Figure 4-9 illustrates some of the logic elements used in a start/stop cycle. These logic elements are located on the M7701 card.

4.2.3.1 Normal Stop — Placing the RUN/LOAD switch in the LOAD position enables the Disk Stopped counter and disables the Run gate, causing RUN L to come high. Once enabled, the Disk Stopped counter begins to increment; however, it is reset repetitively by every SECTOR/INDEX pulse before it reaches a count of two. This counter reset technique keeps the door unlocking solenoid de-energized to prevent the operator from opening the drive front door before the disk has come to a complete halt.



CP-0276

Figure 4-4 Seek Flow Chart



CP-0275

Figure 4-5 Return-to-Zero (Restore) Flow Chart

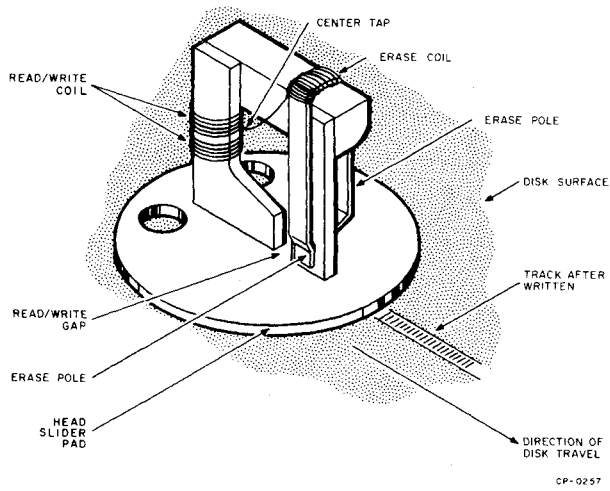
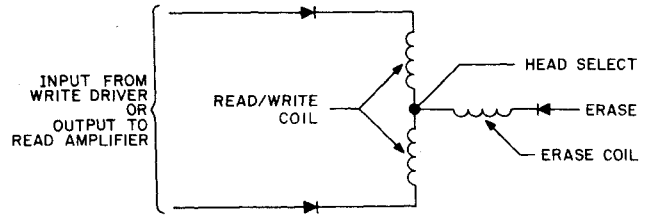
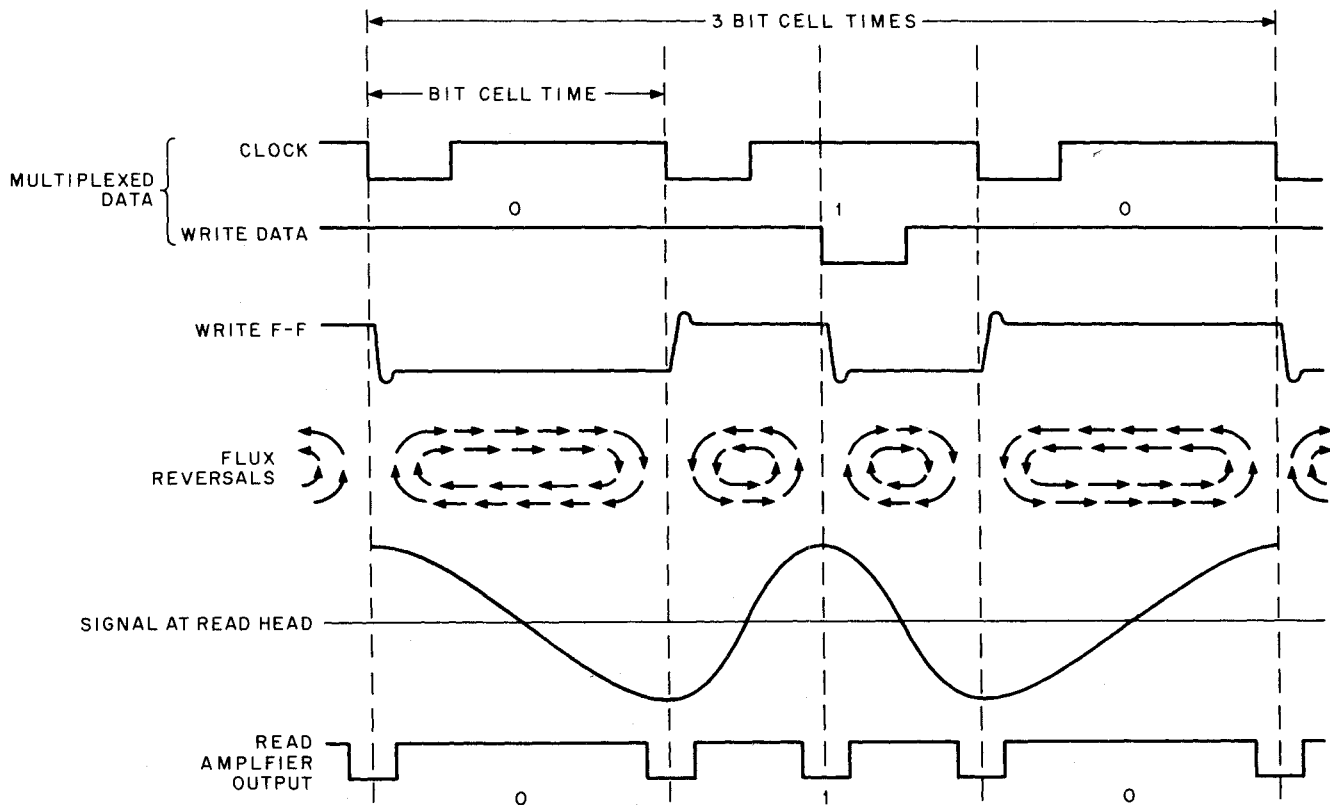


Figure 4-6 Read/Write Head



CP-0258

Figure 4-7 Simplified Read/Write Head Circuit



CP-0259

Figure 4-8 Double Frequency Pulse Relationship

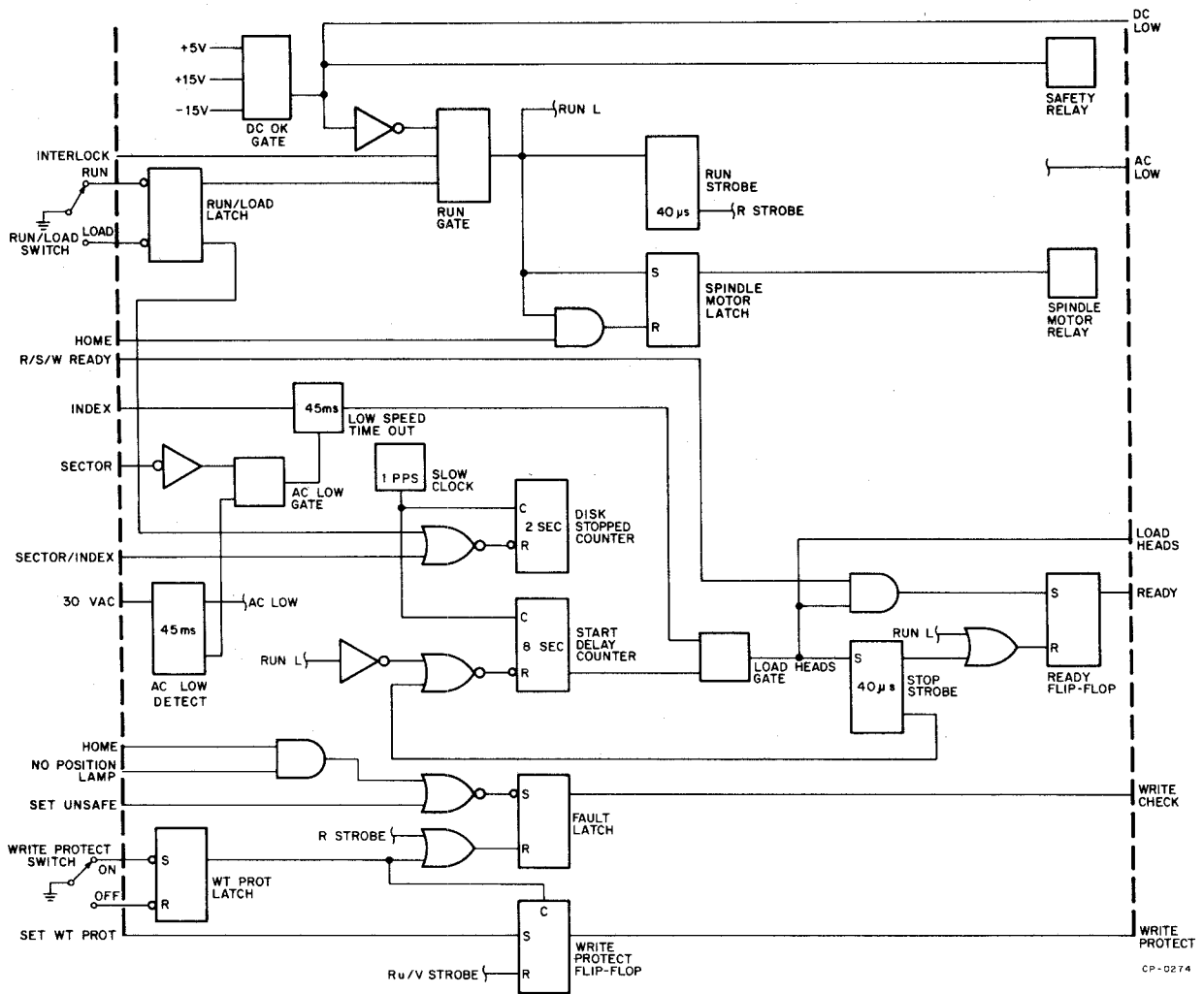


Figure 4-9 Control and Interlock Block Diagram

RUN L high clears the Start Delay counter, disabling the Load Heads gate and thus removing the LOAD HEADS signal. (Once cleared, the Start Delay counter must again increment to eight before the LOAD HEADS signal can be regenerated. This practice allows the heads to fully retract (unload) before they can be loaded again.) Removal of the LOAD HEADS signal resets the Ready flip-flop and also allows the positioner to retract the read/write heads (Paragraph 4.2.5.3). When the heads have fully retracted, the home microswitch closes to generate the HOME L signal. HOME L resets the Spindle Motor latch, de-energizing the spindle motor and allowing the spindle to coast to a stop.

As the spindle decelerates, SECTOR/INDEX pulses occur at a slower rate. Approximately 30 seconds after the Disk Stopped counter is enabled, the disk stops rotating,

SECTOR/INDEX pulses cease, and the Disk Stopped counter is incremented by two pulses from the Slow Clock. When the counter reaches two (2 seconds from receipt of the last SECTOR/INDEX pulse), a feedback output from the counter prevents it from incrementing further, while the counter set output energizes the door unlocking solenoid and lights the LOAD indicator on the control panel. The drive front door can now be opened and the cartridge removed.

4.2.3.2 Low Speed Stop — When the disk is rotating at normal speed (1500 rpm), INDEX pulses are generated every 40 ms to trigger the 41–49 ms Low Speed Time Out one-shot. The one-shot output is applied to an associated On Speed flip-flop. As long as the spindle rotation remains above an unsafe speed, successive INDEX pulses keep the On Speed flip-flop set, thus maintaining the LOAD HEADS

signal. If the spindle speed drops below approximately 1200 rpm, the INDEX pulse interval increases beyond 50 ms. If this occurs, the Low Speed Time Out one-shot expires and resets the On Speed flip-flop. With the flip-flop reset, the LOAD HEADS signal is removed, causing the positioner to retract the read/write heads (Paragraph 4.2.5.3). When LOAD HEADS is removed, the 40 μ s Stop Strobe one-shot triggers, clearing the Start Delay counter. Once cleared, the Start Delay counter must again increment to eight before the LOAD HEADS signal can be regenerated. This practice allows the heads to fully retract (unload) before they can be loaded again.

The remainder of the low-speed stop cycle is the same as a normal stop (Paragraph 4.2.3.1).

4.2.3.3 AC Low Stop – During normal operation, the 45-ms AC Low Detect one-shot is repeatedly triggered set by the presence of 30 Vac. If this voltage is removed for more than 45 ms, the AC Low Detect one-shot times out. With the one-shot reset, the AC LOW interface signal is generated. Following the AC LOW signal, the drive continues to operate until the next SECTOR pulse to reset the Low Speed Time Out one-shot. Thus, a data transfer in progress continues until the end of the sector before the interface signals are removed.

The remainder of the ac low stop cycle is the same as a low-speed stop (Paragraph 4.2.3.2). However, if a total power loss occurs before the heads are completely retracted, the safety relay closes to retract the heads under battery power (emergency retract) and to maintain the AC LOW interface signal.

4.2.3.4 DC Low Stop – If the +15 or -15 Vdc drops below 12 Vdc or if the +5 Vdc drops below +4.6 Vdc, the DC OK gate is disabled. The output from this gate immediately disables the Run gate, de-energizes the safety relay to retract the heads under battery power, and generates the BUS DC LOW interface signal.

4.2.4 Disk Drive Addressing

For greater flexibility in a multidrive system, a drive address assignment can be changed by changing the position of the Address Select Switch (S1) on the M7700 card. This switch operates in conjunction with the RK11-D interface line plus the address select decoding logic (M7700), as described in the following paragraphs.

4.2.4.1 RK11-D Address Selection – If the operating controller is an RK11-D, the interface signal BUS RK11-D L is present. This signal, applied through an inverter, enables a three-line-to-eight-line binary decoder and disables the linear input gates. Thus, when the binary-encoded (BUS SEL DR 0/A/E L through BUS SEL DR 2/C/H L) drive address is applied through the input gates to the binary decoder, the decoder translates the 3-bit binary code and activates one of the eight Address Select Switch positions.

If the Address Select Switch on the M7700 card has been set to this activated position, the signal SELECT H is produced. SELECT H, ANDed with the set output from the Ready flip-flop (M7701) and the reset output from the Fault latch, produces the signal SELECT/READY L. This signal allows the drive to perform the various control and read/write operations.

4.2.4.2 RK11-C or RK8/E Address Selection – If the operating controller is an RK11-C or RK8/E, the interface signal BUS RK11-D L is not present. Hence, the three-line-to-eight-line binary decoder is disabled and the linear input gates are enabled. This circuit configuration connects the BUS SEL DR lines, as a linear set, directly to positions 0 through 3 of the Address Select Switch on the M7700 card. If that switch is set to one of the first four positions and the corresponding BUS SEL DR line is at a logical 1, the signal SELECT/READY L is produced as described in Paragraph 4.2.4.1, above.

4.2.5 Seek

4.2.5.1 Load Heads Seek – Placing the RUN/LOAD switch in the RUN position generates the signal LOAD HEADS L (Paragraph 4.2.2). Because the read/write heads are in the “home” position at this time, the signal OUTER LIMIT H is present (M7702). This signal is ANDed with the inverted LOAD HEADS L signal to set the Forward and reset the Reverse flip-flops. In addition, OUTER LIMIT H sets the Outer Limit Extender latch to hold the New and Current Address registers at 0.

The \bar{Q} outputs from the New Address register and the Q outputs from the Current Address register are applied to the subtractor. Use of the \bar{Q} outputs from the New Address register effectively complements the new address, allowing a 1's complement addition to take place in the subtractor. During this addition, the second stage of the subtractor performs an end-around carry operation. Because the Current Address register and the New Address register are both cleared, the remainder from the 1's complement addition is zero; thus, a no-carry condition is produced. The binary 0 from the subtractor is then applied, through exclusive OR circuits and the “> 3” decoding gate, to set the Difference register to a low-velocity binary output.

NOTE

Low velocity is when all stages of the Difference register are set. High velocity is when all stages are cleared.

When the Forward flip-flop sets, FWD H and MOVE L are generated. FWD H is applied to the servo logic to place it in the velocity mode (Paragraph 4.3.1.1) and initiate forward head motion.

As the heads begin to move at low velocity toward cylinder zero, count pulses are generated by the positioner

transducer (Paragraph 4.2.6). When the heads pass the outer limit of the recording disk, OUTER LIMIT H goes low, applying a low to the D input of the Forward flip-flop. As the heads approach cylinder zero, COUNT PULSE REV H (first count pulse after OUTER LIMIT H goes low) resets the Forward flip-flop. This action removes FWD H and MOVE L, and places the servo logic in the detent mode (Paragraph 4.3.1.2).

MOVE L high triggers the 6-ms Positioner Settle Delay one-shot (M7700). When this one-shot times out, the R/W/S Ready flip-flop sets to disable the Seek Incomplete counter, light the ON CYL indicator, and generate the BUS R/W/S RDY L signal. BUS R/W/S RDY H resets the Outer Limit Extender latch.

4.2.5.2 Forward Seek — To move the read/write heads closer to the disk spindle (forward seek), the controller places an 8-bit binary address on the Cylinder Address interface lines (BUS CYL ADD 0 through 7), transmits a STROBE pulse, and simultaneously addresses the disk drive (Paragraph 4.2.4). Reception of the STROBE pulse (M7700) generates the GOOD STROBE L pulse to clock the cylinder address from the interface lines (M7702) into the New Address register.

The \bar{Q} outputs from the New Address register are applied to both the subtractor and the Invalid Address Detector. Use of the \bar{Q} outputs of the New Address register effectively complements the new address and thus allows a 1's complement addition to take place in the subtractor. During this addition, the second stage of the subtractor performs an end-around carry operation.

If the New Address register output is greater than 202, the BUS ADDRESS INVALID signal is generated. If this is the case, the BUS ADDRESS ACCEPTED L signal remains high, keeping the Forward or Reverse flip-flops reset and preventing the Difference register from changing states.

If the New Address register output is equal to or less than 202, BUS ADDRESS INVALID L remains high. This signal is ANDed with the output of the Strobe Generator one-shot (M7700) to produce the BUS ADDRESS ACCEPTED L signal.

Simultaneously, the complemented New Address register output is added in the subtractor to the output of the Current Address register. If, after this addition process, a carry condition has not occurred, the positioner must either move the heads forward (toward the disk spindle) or retain the heads at their current location. To determine this fact, the subtractor carry output is inverted by the exclusive OR circuits for only a no-carry condition. If the heads are to move forward, the high output from the "not zero" decoding gate is ANDed with the inverted carry output and applied to the D input of the Forward flip-flop.

When BUS ADDRESS ACCEPTED L goes low, the Forward flip-flop clocks, generating MOVE L and FWD H. FWD H is applied to the servo logic to place it in the velocity mode (Paragraph 4.3.1.1) and initiate forward head motion. MOVE L resets the R/W/S Ready flip-flop (M7700) to accomplish the following:

- a. Enable the Seek Incomplete counter.
- b. Remove the BUS R/W/S READY/ON CYL L interface signal.
- c. Turn off the SEEK DONE/ON CYL indicator.

Once enabled, the Seek Incomplete counter begins to count INDEX pulses (40 ms repetition rate). If the counter reaches a count of seven (seek incomplete condition), the Seek Incomplete latch is set to generate the BUS SEEK INCOMPLETE L interface signal. If this occurs, the controller must issue a return-to-zero (Restore) command or the operator must set the RUN/LOAD switch to LOAD and then back to RUN to continue normal operation.

If a seek incomplete has not occurred, and the distance from the present to the destination cylinder is greater than 31, an output from the " ≥ 32 " decoding gate clears the Difference register (M7702) to a high-velocity binary output. This binary output is applied to the servo logic to move the heads forward at high velocity.

NOTE

High velocity is when all stages of the Difference register are cleared. Low velocity is when all stages are set.

As the read/write heads move across each track, output pulses (COUNT PULSE FWD H) derived from the positioner transducer are generated. As long as the Reverse flip-flop remains reset, each COUNT PULSE FWD H clocks the Forward flip-flop set and increments the Current Address register. Each time this register increments, the previously described addition process is repeated in the subtractor.

When the heads are 31 cylinders from the destination cylinder, the " ≥ 32 " decoding gate is disabled, permitting the Difference register to be decremented directly by the decoded output of the subtractor. When the heads are 3 cylinders from the destination cylinder, the " ≤ 3 " decoding gate is enabled to set the Difference register to a low-velocity binary output. The Current Address register continues to increment until the heads are within one-half cylinder of the destination cylinder. At this point, the "not zero" decoding gate is disabled and the Forward flip-flop is reset, thereby removing FWD H and MOVE L.

FWD H low places the servo logic in the detent mode (Paragraph 4.3.1.2), while MOVE L high triggers the 6-ms Positioner Settle Delay one-shot (M7700). When this one-shot times out, the R/W/S Ready flip-flop sets to disable the Seek Incomplete counter, light the SEEK DONE/ON CYL indicator, and generate the BUS R/W/S READY/L interface signal. The drive is now ready to perform a read, write, or another seek operation.

4.2.5.3 Reverse Seek — A reverse seek is similar to a forward seek (Paragraph 4.2.5.2); however, if the current and new addresses are not alike, the subtractor (M7702) addition operation always results in a carry condition. Because of this fact, the “not zero” decoding gate is not used during this operation. The carry output from the subtractor sets the Reverse flip-flop to allow the Current Address register to decrement.

NOTE

Because of unique timing considerations during the reverse seek, inverted count pulses are used to decrement the Current Address register.

If, during the initial power-on cycle, the heads are not fully retracted (unloaded), the “home” microswitch at the rear of the positioner is not depressed and the HOME L signal is high. HOME L is ANDed with LOAD HEADS L (high, because the RUN/LOAD switch is in the RUN position) to generate REV H and MOVE L. Simultaneously, LOAD HEADS L sets the Difference register to a low-velocity binary output, thereby retracting the heads at low speed to the home position. At this position, the carriage contacts the home microswitch, causing the HOME L signal to go low and thus remove REV H and MOVE L.

The heads would not normally be over the disk during the initial power-on cycle. Thus, this operation ensures that the positioner will not move forward until the drive is placed in the run mode.

4.2.5.4 Return-to-Zero (Restore) Seek — To return the read/write heads to cylinder zero, the controller generates a BUS RESTORE L signal, transmits a Strobe pulse, and addresses the disk drive (Paragraph 4.2.4). Reception of the Strobe pulse (M7700) generates the GOOD STROBE H pulse. This pulse, ANDed with BUS RESTORE H, resets the Seek Incomplete latch to remove the BUS SEEK INCOMPLETE L interface signal. BUS RESTORE H also sets the RTZ flip-flop (M7702) to accomplish the following:

- a. Clear the New Address register.
- b. Clear the Current Address register.
- c. Set the Reverse flip-flop.
- d. Produce the RTZ L signal.

RTZ L resets the Seek Incomplete counter and prevents it from incrementing.

When the Reverse flip-flop sets, REV H and MOVE L are generated. REV H is applied to the servo logic to place it in the velocity mode and initiate reverse head motion (Paragraph 4.2.6.1). MOVE L resets the R/W/S Ready flip-flop (M7700) to accomplish the following:

- a. Reset the RTZ flip-flop.
- b. Set the Outer Limit Extender latch, which holds the New and Current registers at zero.
- c. Reset the Reverse and set the Forward flip-flops.

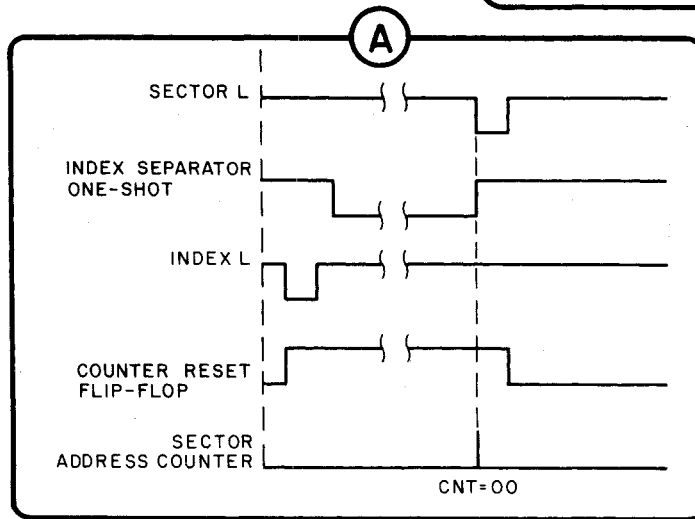
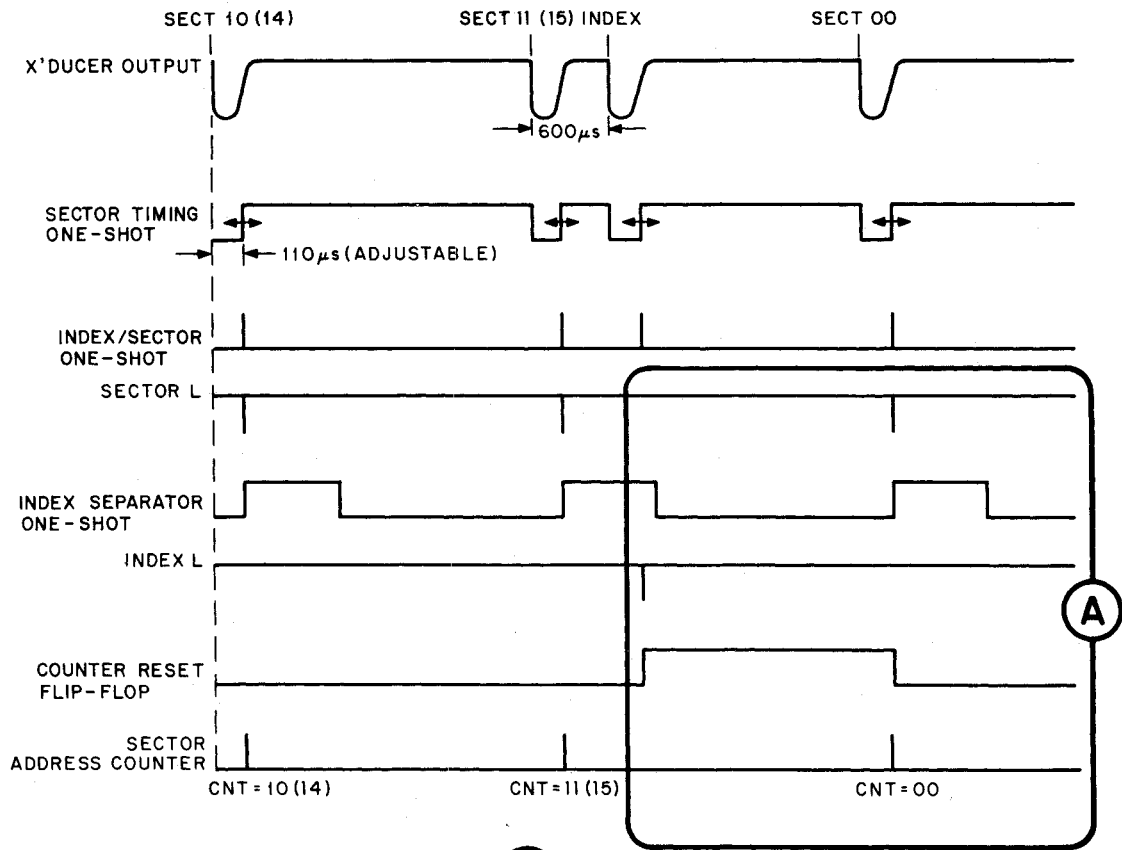
When the Forward flip-flop sets, the heads begin to return toward cylinder zero. Just before the heads reach cylinder zero, OUTER LIMIT H goes low. The next output pulse (COUNT PULSE REV H) from the positioner transducer (Paragraph 4.3.2.1) resets the Forward flip-flop and thus removes FWD H and MOVE L.

FWD H low places the servo logic in the detent mode (Paragraph 4.3.1.2), while MOVE L high triggers the 6-ms Positioner Settle Delay one-shot (M7700). When this one-shot times out, the R/W/S Ready flip-flop sets to disable the Seek Incomplete counter, light the ON CYL indicator, and generate the BUS R/W/S READY L interface signal. R/W/S READY H also comes high at this time to clear the Outer Limit Extender latch.

If, at any time during normal operation, the read/write heads reach the inner limit of the recording disk, INNER LIMIT H (M7702) comes high. This signal sets the RTZ and Seek Incomplete flip-flops to initiate a return-to-zero seek automatically.

4.2.6 Sector/Index Pulse Generation

To read or record data with specific formats (e.g., data blocks) as well as to retrieve or store data at designated areas (sectors) on the disk, a timing scheme related to the rotational position of the disk is required. The SECTOR and INDEX pulses are used to accomplish this. These pulses are generated by slots in the recording disk hub that pass through a groove in the sector transducer. There are 12 equally spaced sector slots (16 slots for an RK8/E), which designate the 12 or 16 sectors on the disk. There is also one uniquely spaced index slot on the disk to indicate the last sector (one complete revolution). The sector transducer, located directly in front of the spindle, is an optical device that contains a light-emitting diode and a photosensor. As the recording disk rotates, the slots on the disk pass between the light-emitting diode and the sensor, producing negative SECTOR/INDEX pulses (Figure 4-10). Because both the SECTOR and INDEX pulses are produced from a single transducer, logic elements on the M7700 card are used to separate these two pulses and to encode the sector address.



NOTE: THE NUMBERS IN PARENTHESIS ARE FOR AN RK8/E SYSTEM.

CP-0261

Figure 4-10 Sector/Index Timing

During disk rotation, SECTOR/INDEX pulses from the disk trigger the Sector Timing Delay one-shot. The pulse width of this one-shot can be adjusted to compensate for different sector transducer locations within various disk drives. Thus, when disk cartridges are interchanged, each data record is properly located with respect to the associated SECTOR pulse. The trailing edge from the Sector Timing one-shot triggers the Index/Sector one-shot to generate a 1- μ s INDEX/SECTOR L pulse. The trailing edge of this pulse in turn triggers the 1-ms Index Separator one-shot. The output signals from this one-shot are applied to decoding gates to separate the SECTOR pulses from the INDEX pulse. If another slot has not passed the transducer, the SECTOR L signal is produced and the 4-stage Sector Address counter is incremented. This sequence of events is repeated for every sector on the disk hub.

The occurrence of the last SECTOR pulse triggers the Index/Sector one-shot as before; however, 600 μ s later the INDEX pulse from the disk hub retriggers this one-shot. The set output from this one-shot is then ANDed with the set output from the Index Separator one-shot (still high from the previous triggering) to generate the INDEX PULSE L signal and to set the Counter Reset flip-flop. The leading edge of the next SECTOR pulse (sector 00) clears the Sector Address counter, and the trailing edge of this pulse resets the Counter Reset flip-flop. Thus, for every revolution of the disk, the counter is cleared to maintain the correct counter-to-disk relationship.

4.3 CARRIAGE POSITIONING

4.3.1 Positioner Servo Description

The positioner servo system (G938) controls the carriage movement. There are two control loops within this system. A velocity loop controls the carriage velocity during a seek operation (velocity mode) and a position loop electronically detents the heads at a fixed cylinder location when a seek operation is not being performed (detent mode). During the velocity mode, velocity and direction commands are obtained from the cylinder address and difference logic (Paragraph 4.2.5). During the detent mode, velocity and position feedback signals are derived from the linear positioner transducer (Paragraph 4.3.2.1).

The servo system (Figure 4-11) is composed of the following functional areas.

- A linear positioner transducer that produces two sinusoidal signals. During the velocity mode, these signals are used to control the rate of carriage movement. During the detent mode, only one of these signals is used to

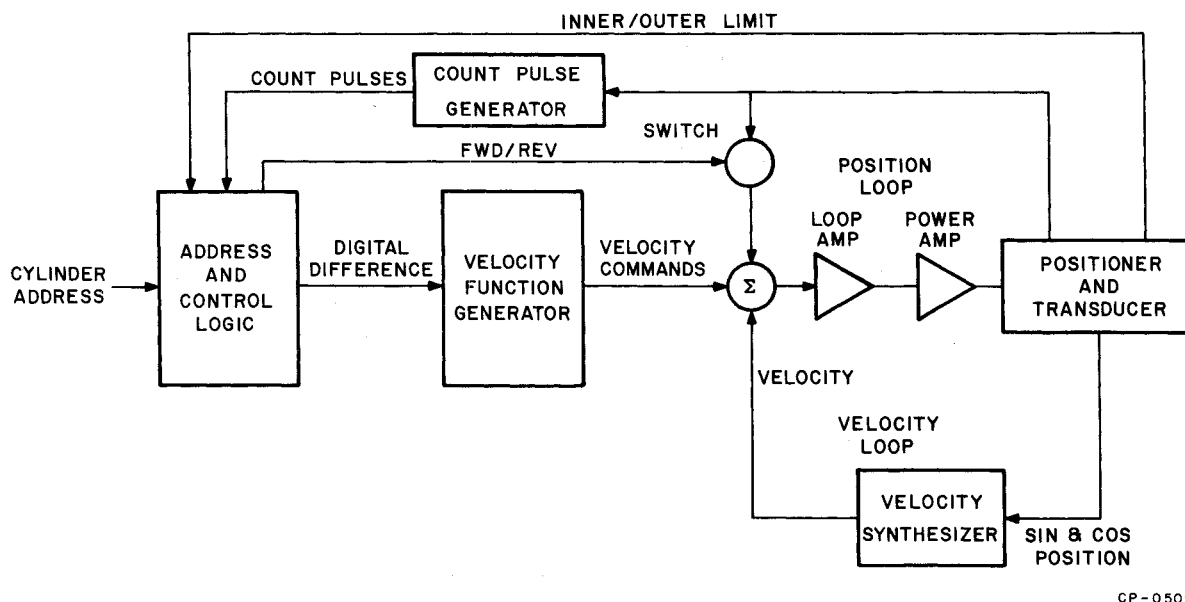
electronically detent the carriage. In addition, the transducer also generates two limit signals that indicate the extremities of carriage travel.

- A velocity function generator that converts the digital difference signal into corresponding analog velocity commands.
- A velocity synthesizer that generates a feedback control signal from the transducer output.

4.3.1.1 Velocity Mode – During a seek operation, the cylinder address and difference logic computes the digital difference between the present cylinder address and the destination cylinder (Paragraph 4.2.5). This digital difference is then converted, by the D/A velocity function generator of the analog, to an analog velocity command. The amplitude of the analog signal depends upon the distance to the destination cylinder. If the distance is less than 31 cylinders, a maximum velocity command is produced and applied to the velocity control loop. As the carriage accelerates, a feedback velocity signal is generated by the velocity synthesizer. When a speed of 35 ips is attained, this feedback signal inhibits further acceleration and maintains a constant 35 ips carriage speed until the heads are 31 cylinders from the destination cylinder. From this point, the carriage decelerates at a controlled rate that is governed by the decrementing digital difference applied to the function generator.

When the heads are 3 cylinders away from the destination cylinder, the velocity generator produces a fixed low-velocity command that continues to move the carriage at low velocity (about 3 ips) until the heads are approximately one-half cylinder from the destination cylinder. At this point, the low velocity command is removed; however, the velocity signal remains to damp the carriage movement and prevent overshoot. Once the destination cylinder is reached, the position loop electronically detents the carriage.

4.3.1.2 Detent Mode – The detent mode of operation electronically retains the read/write heads at a desired cylinder with a force greater than 2000 pounds per inch. During this operational mode, the velocity command from the function generator is zero, allowing the small velocity feedback signal to produce a stable position loop. If the heads tend to deviate from the desired cylinder, an error correction signal (SIN POSITION), which is opposite in polarity from the direction of deviation, is generated by the positioner transducer. This error signal is then directly applied through the loop amplifiers to move the carriage back to the desired cylinder.

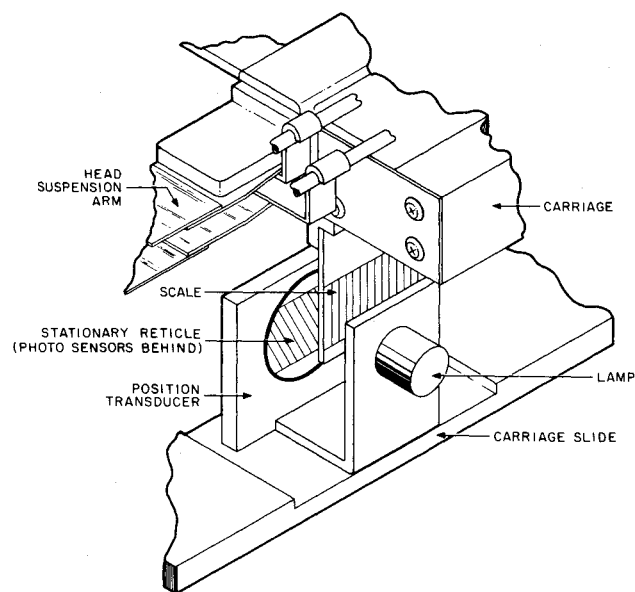


CP-0509

Figure 4-11 Servo System Block Diagram

4.3.2 Servo Circuit Description

4.3.2.1 Linear Positioner Transducer – The positioner transducer (Figure 4-12), located on the underside of the carriage, is an optical device that consists of two parts. The stationary portion (reticle) of the transducer is constructed in a U shape and is attached to the carriage slide. One side of the U contains a lamp; the other side contains a stationary reticle with minute diagonal transparent slots, plus six photosensors located behind the slots. The movable portion (scale) of the transducer contains a similar section of minute vertical transparent slots and is attached to the movable carriage. As the scale moves in the middle of the U-shaped reticle, the vertical and diagonal slots allow varying light patterns to shine onto the photosensors. This action produces two sine wave output signals that occur 90 degrees out of phase. These signals (SIN POSITION and COS POSITION) are used to control the movement of the carriage.

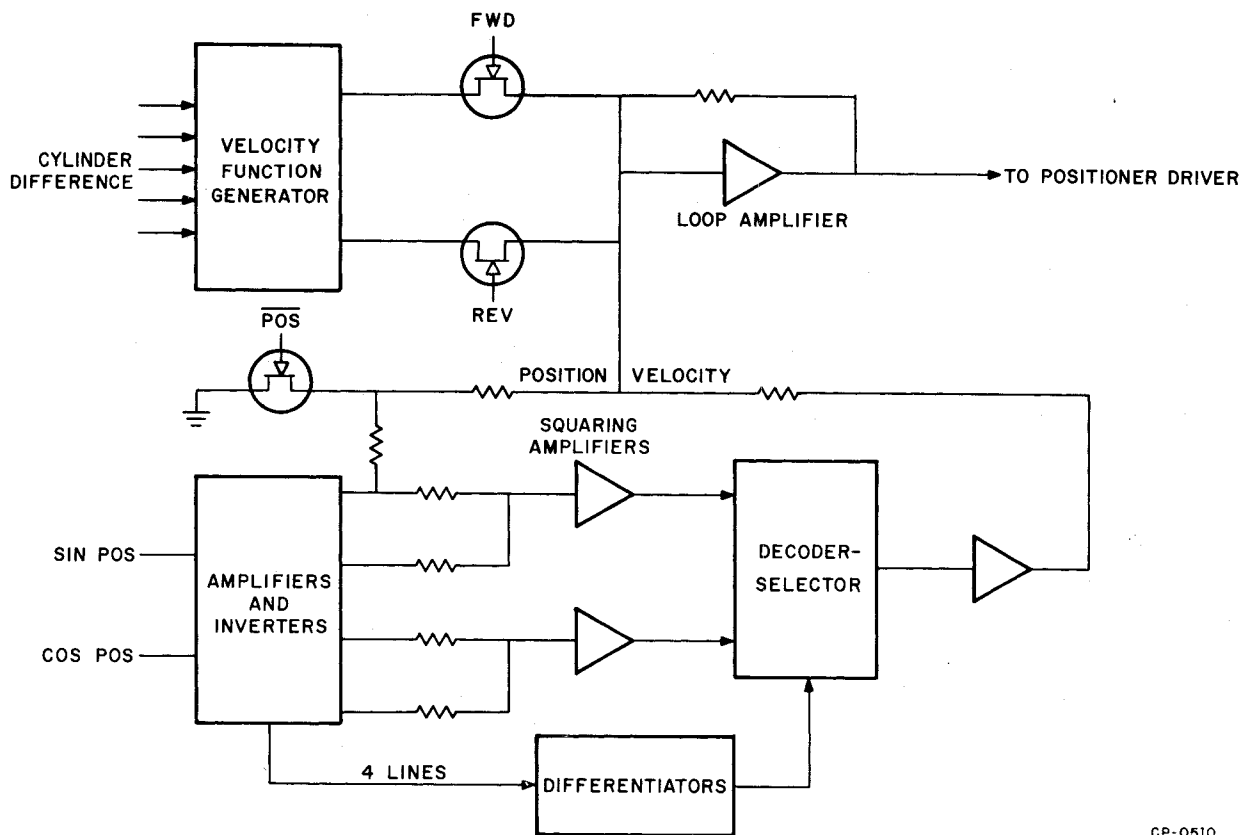


CP-0262

Figure 4-12 Linear Positioner Transducer

Two dc signals (INNER LIMIT and OUTER LIMIT) are also generated by the transducer. As long as the scale travel remains within the slotted section (cylinder 0 through 202), neither one of these signals is produced; however, when the scale reaches the inner travel extremity ($>$ cylinder 202), the inner limit photosensor is uncovered and the negative INNER LIMIT signal is produced. The positive OUTER LIMIT signal is produced in a similar manner at the outer travel extremity ($<$ cylinder 0). Both of these signals are used during a seek operation (Paragraph 4.2.5).

4.3.2.2 Velocity Function Generator – The velocity function generator (Figure 4-13) is a 5-bit D/A converter. The generator logic elements are located on the G938 card.



CP-0510

Figure 4-13 Simplified Positioner Servo Logic

The 5-bit digital input to this logic component is derived from the five low order difference bits from the cylinder address and difference logic. During a seek operation, these five bits represent the distance from the present cylinder address to the destination cylinder (Paragraph 4.2.5). If this distance is greater than 31, all 5 input bits are low, producing a maximum amplitude output signal (velocity command). If the travel distance is less than or equal to 3, all 5 input bits are high, producing a minimum velocity command. For differences between 4 and 30, the velocity command is proportional to the 5-bit binary representation. The velocity command is connected by field effect transistors (FETs) to the summing node of the loop amplifier. To initiate carriage motion, the FWD or REV signal turns on the appropriate FET, thereby applying the velocity and direction command to the loop amplifier.

4.3.2.3 Velocity Synthesizer — In a closed-loop servo system, a speed-sensing, feedback control signal is required to prevent uncontrolled velocity within the system. In the RK05, this control or tachometer signal is electronically derived in the velocity synthesizer. These elements are located on the G938 card.

During a seek operation, the SIN POSITION and COS POSITION signals from the positioner transducer are applied to amplifiers and unity gain inverters to provide four phases of position signal at the input of the synthesizer. The inverter/amplifier outputs are also applied to four differentiator networks. Appropriate pairs of amplifier/inverter outputs are applied to the summing junctions of two squaring amplifiers. The resultant square wave signals are displaced 90 degrees from each other and when these signals are gated together in the decoder/selector, they produce four separate selection signals of 90-degree duration. Each selection signal is centered around the peak of the corresponding differentiated signal. The derivative signals are then selectively summed in an operational amplifier to produce the velocity feedback signal. This signal is then applied, through a gain-setting resistor, to the summing node of the loop amplifier. Here, the velocity command from the velocity function generator is summed with the velocity feedback signal to produce a velocity profile signal (Figure 4-14). Thus, for a 202-cylinder seek (full carriage stroke), a maximum velocity profile is produced. The dotted lines on the figure represent the initial portions of shorter seeks; however, the terminating portion of all seeks remains the same.

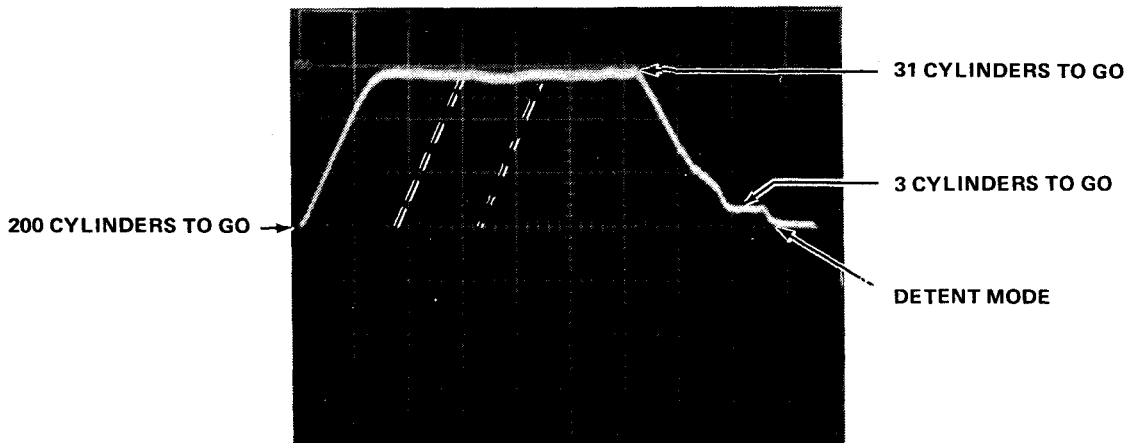


Figure 4-14 Velocity Profile

During the detent mode of operation, the $\overline{\text{POS}}$ signal turns on an FET that applies the SIN POSITION signal directly to the summing node of the loop amplifiers. This circuit configuration retains the heads at the desired cylinder location.

4.4 READ/WRITE

All the circuit elements required for head selection, level changing, and waveform shaping during a read/write operation are on the G180 card, which is located in the first position of the electronic module. The read/write head connectors are directly attached, through an opening in the side of the electronic module, to connector pins on this card.

4.4.1 Read Operation

During a read operation, the selected read/write head detects flux reversals from a recorded data track on the rotating disk. Each flux reversal generates a small voltage peak, whose polarity corresponds to the direction of the flux reversal. The read waveform is then amplified, filtered to remove high-frequency noise components, and applied to wave-shaping circuits. These circuits convert each voltage peak to 160-ns logic level pulses and apply this pulse train to the data separator circuits (Figure 4-15). In the separator, the individual data and clock pulses are separated according to the double-frequency recording scheme (Paragraph 4.1.5). The data separator also contains frequency tracking and peak-shift compensating circuits.

Figure 4-16 shows the time relationship and the waveforms for a read operation. The letters in parentheses () in the following text correspond to the lettered waveforms in the figure.

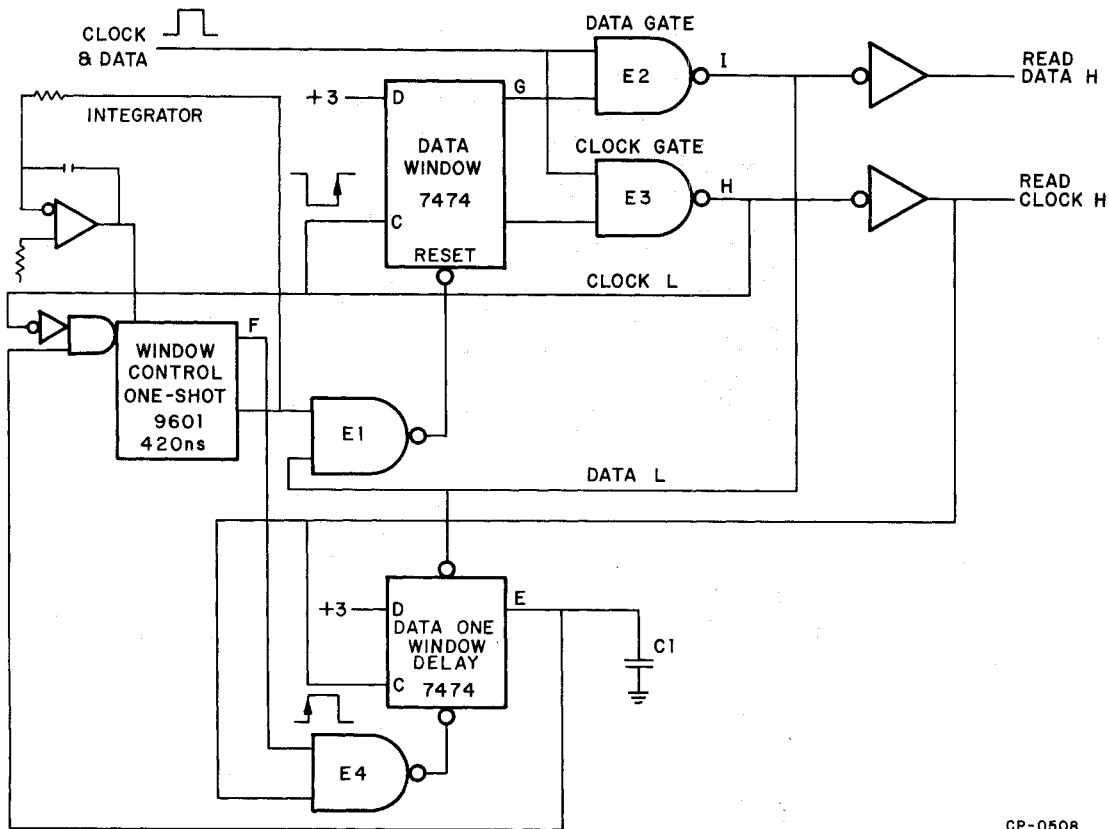
To initiate a read operation, the controller:

- a. Addresses a particular drive (Paragraph 4.2.4).
- b. Positions the read/write heads at the appropriate cylinder (Paragraph 4.2.5).
- c. Selects either the upper or lower read/write head (Paragraph 3.2.5).

For example, if the lower read/write head is to be used, the signal HD SELECT (G180-0-1) is high. This signal is ANDed with UNSAFE L (high, if no fault condition exists, Paragraph 4.5) to apply a ground potential to the center tap of the lower head.

As flux reversals on the disk surface pass under the lower read head, induced current flows through the lower head coil. The direction of this current flow depends upon the polarity of the flux reversal. These small read signals (approximately 5 mV) are then transmitted through the head-select diodes, through the series-isolation diodes, to a differential read preamplifier. The diode, resistor, and capacitive network between the read/write coils and the read preamplifier automatically isolates the preamplifier from the large write signals that occur during a write operation; however, this isolation circuit allows the small read signals that occur during a read operation to pass.

The amplified output from the preamplifier (approximately 300 mV) is then transmitted through a low-pass filter network to the read amplifier. The filter network removes noise and high-frequency disturbance but permits the lower frequency read signals to pass. The approximate 3.0 V read



CP-0508

Figure 4-15 Simplified Data Separator Circuit

amplifier output (A) is applied to a balanced delay circuit where the signal is differentiated (B) and the signal peaks converted into zero crossings. The complementary zero crossings are then applied to a pair of high-gain differential comparators that convert the differentiated signal into square waves. Each square wave signal (C) triggers a corresponding one-shot, the outputs of which are combined to produce a composite 150-ns pulse train (D).

At this point, data and clock pulses are separated from the pulse train. Figure 4-15 is a simplified diagram of the data separation circuit. For a basic understanding of the following description, assume that the Data One Window Delay flip-flop remains set, keeping the input gate of the Window Control one-shot enabled.

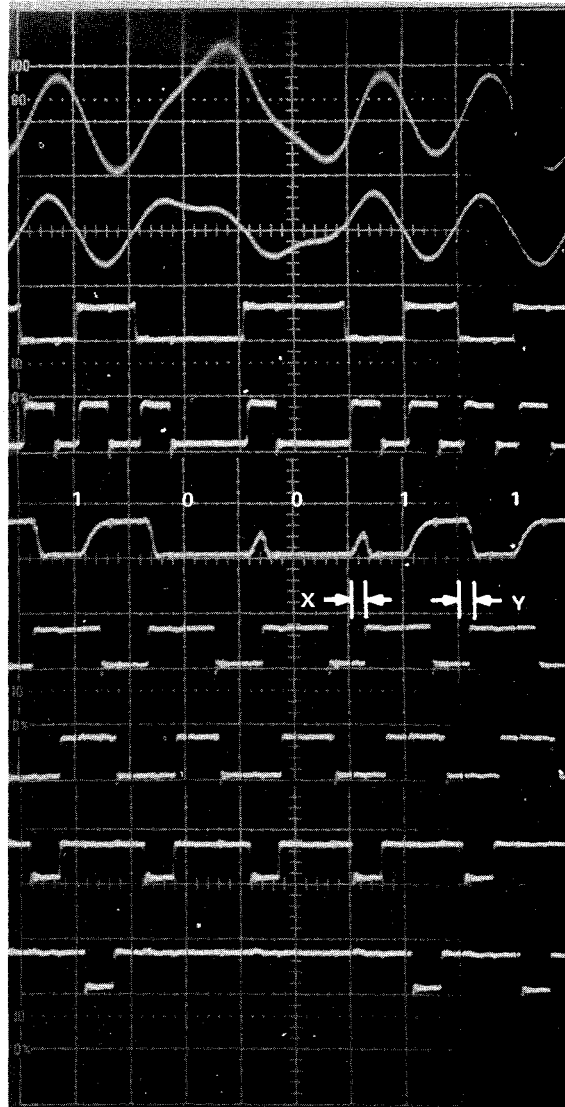
If the Data Window flip-flop is in the reset state (G) when the leading edge of the first pulse on the pulse train occurs, the clock gate (E3) is enabled to produce the BUS RD CLK L signal (H) and to trigger the Window Control one-shot (F). The reset output from this one-shot is applied to an integrator circuit. After integration, the average voltage output is then applied to the adjustable input of the one-shot. Thus, if data frequency variations occur, this circuit configuration automatically varies the one-shot pulse width and thus maintains a constant duty cycle.

Triggering the Window Control one-shot also removes the reset input of the Data Window flip-flop, so that the trailing edge of the first clock pulse will clock the Data Window flip-flop set. Approximately 290 ns after this sets (slightly more than one-half bit cell), the Window Control one-shot will time out. If another pulse occurs on the pulse train (data 1 bit) before the time out, it will be enabled in the Data Gate (E2) to produce BUS RD DATA L (I), which will also keep the Data Window reset gate (E1) disabled for the duration of the data pulse so that the Data Window flip-flop will not be reset during the data pulse by the one-shot time out.

If another pulse did not occur (data 0 bit), the Data Window flip-flop will be reset by the one-shot time out via the Data Window reset gate.

In some bit sequences (e.g., a data 1 following a data 0), it is desirable to delay the resetting of the Data Window slightly longer than the normal one-shot time out. A magnetic recording phenomenon known as peak shift can cause the data 1 bit to lie beyond the cell center. A delaying circuit is provided so that, whenever a data 0 bit occurs, reset of the following Data Window flip-flop is delayed regardless of what the following data bit may be.

- (A) READ SIGNAL (amplified)
- (B) DIFFERENTIATED
- (C) COMPARATOR
- (D) CLOCK & DATA TRAIN
- (E) DATA ONE WINDOW DELAY
- (F) WINDOW CONTROL ONE-SHOT
- (G) DATA WINDOW
- (H) CLOCK L
- (I) DATA L



X = DELAY FOLLOWING ZERO
 Y = NO DELAY FOLLOWING ONE

Figure 4-16 Read Waveforms

To accomplish this, a Data One Window Delay flip-flop set output is used to enable the Window Control one-shot.

The occurrence of a data 1 pulse direct-sets the Data One Window Delay flip-flop. The set output (E) then provides an enable signal to the Window Control one-shot so that the next clock pulse triggers the one-shot without delay. If a data bit is 0, the Data One Window Delay is not set until the leading edge of the following clock pulse. The set output rise is slowed by capacitor C1. This slow rise, gated

with BUS RD CLK L, prevents the immediate firing of the one-shot, thus delaying the Data Window flip-flop reset. The one-shot firing also resets the Data One Window Delay via its reset gate (E4). This allows the Data One Window Delay flip-flop to be set by a possible data 1 pulse.

4.4.2 Write Operation

During a write operation, multiplexed write data and clock pulses are applied to the complementary Write Encode flip-flop. If the Write Gate signal is present and one of the

read/write heads has been selected, current flows through the erase coil as well as through one-half of the center-tapped write coil. Each pulse on the multiplexed input complements the Write Encode flip-flop and transfers current flow to the opposite half of the write coil; however, current flow through the erase coil remains constant throughout the write operation.

To initiate a write operation, the controller:

- a. Addresses a particular drive (Paragraph 4.2.4).
- b. Positions the read/write heads at the appropriate cylinder (Paragraph 4.2.5).
- c. Selects either the upper or lower read/write head (Paragraph 3.2.5).

For example, if the lower read/write head is to be used, HD SELECT (G180-0-1) is high. This signal is ANDed with UNSAFE L (high, if no fault condition exists, Paragraph 4.5) to apply a ground potential to the center tap of the lower head.

At this point, the controller transmits the BUS WT GATE L signal, which is ANDed with SELECT/READY L to generate the signal SELECTED WRITE GATE H. The multiplexed data to be recorded is then transmitted over the BUS WT DATA & CLK L interface line. If the WT PROT switch is off (drive not write-protected), the signal NO PROTECT L accomplishes the following:

- a. ANDs with BUS R/W/S READY/ON CYL L to complete the base current return circuit for the write drivers (Q1 and Q2).
- b. ANDs with BUS WT DATA & CLK L to apply the data train to the complementary Write Encode flip-flop.

NOTE

The Write Encode flip-flop operates between +10 V and +15 V instead of the usual ground and +5 V levels.

When the BUS WRITE DATA & CLOCK pulse goes low, the Write Encode flip-flop sets, applying the +10 V reset output to the base of write driver Q2, causing it to conduct. With Q2 conducting, approximately 32 mA of current (adjustable with R13) flows through the upper portion of the lower write coil. In addition, a low voltage is applied to the base of the Erase Current Switch (Q3), causing it to conduct. When Q3 conducts, one leg of the Unsafe gate is enabled (Paragraph 4.5) and erase current flows through the lower erase coil.

When the BUS WRITE DATA & CLOCK pulse goes low again, the Write Encode flip-flop resets, causing write driver Q1 to conduct and Q2 to cut off. This circuit configuration transfers the current path to the lower portion of the lower write coil; however, the current direction in the erase coil remains constant. Thus, with each current transfer in the head coil, a flux reversal is recorded on the rotating disk surface.

4.5 FAULT DETECTION

If, during normal operation, the following three fault conditions are detected, all external commands to the drive are suppressed, and the FAULT indicator on the drive control panel lights. The fault conditions are:

- a. Erase or write current without a BUS WT GATE L signal.
- b. Linear positioner transducer lamp inoperative.
- c. Any or all of +15, -15, or +5 Vdc low (dc low).

4.5.1 Current Fault

During a write operation, write driver Q1 or Q2 (G180-0-1), depending upon the polarity of the input data, is conducting. The low voltage output from either write driver turns on Erase Current Switch Q3 to enable one leg of the Unsafe gate. If BUS WT GATE L is present, the second leg of this gate is disabled; thus, Q4 conducts to keep the signal SET UNSAFE L high.

If, for any reason (e.g., shorted transistor), the Erase Current Switch should conduct without a BUS WT GATE L signal present, the Unsafe gate is enabled. This action turns off Q4 to generate SET UNSAFE L, which accomplishes the following:

- a. Sets the Fault latch (M7701).
- b. Generates the BUS WT CHK L signal and lights the FAULT indicator (M7701).
- c. Deselects both read/write heads (G180-0-1).

4.5.2 Positioner Lamp Fault

This fault condition can only be detected when the read/write heads are in the home position. If the positioner lamp fails at any other time, various other checks will disclose this fact (e.g., BUS SIN L generated or BUS R/W/S READY L never generated, etc.). Therefore, the positioner lamp check is accomplished during the initial power-on cycle, or if the heads drift back to the home position after having once been loaded.

If the lamp fails and the heads are in the home position, HOME H (M7701) is present; however, OUTER LIMIT H (heads are at or beyond the outer portion of the disk) is low. This signal combination sets the Fault latch to light the FAULT indicator and generate the BUS WT CHK L signal.

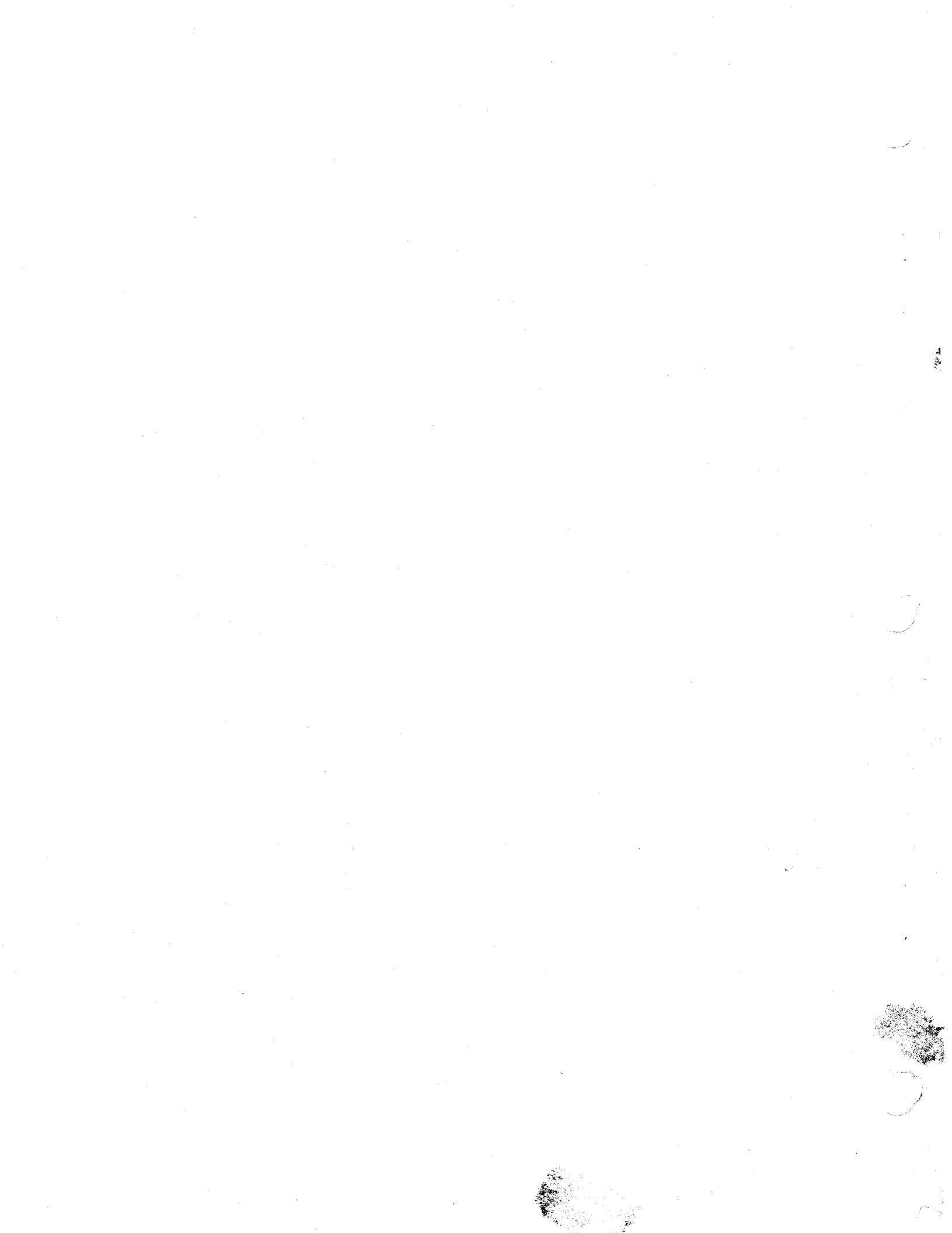
4.6 POWER SUPPLY DESCRIPTION

The RK05 Disk Drive power supply (H743) and associated electronic cards are located in the left-rear portion of the disk drive. The power supply itself can be operated from a 115 or 230 Vac line voltage input, and consists of a dual transformer, two bridge rectifiers, and three voltage regulators. For 115 Vac operation, jumpers between P2 pins 1 and 2 and P2 pins 3 and 4 connect the dual primaries of transformer T1 in parallel. For 230 Vac operation, one jumper between P2 pins 2 and 3 connects the dual primaries of transformer T1 in series, thus maintaining 115 Vac across each primary. In either configuration, the 115 Vac blower motor is connected across T1 pins 1 and 2, while the 115 Vac spindle motor is connected across T1 pins 3 and 4.

When the power supply is activated, the secondary output of T1 pins 7 and 8 is applied through full-wave bridge rectifier D2, across capacitor C2, to the input of both the +15 V and +5 V regulators. The other T1 secondary output is likewise applied through full-wave bridge rectifier D1, across capacitor C1, to the input of the -15 V regulator. The regulator outputs are maintained within the following specified voltage limits, measured to center value of the peak-to-peak ripple from ground:

a.	+15 \pm 0.75 Vdc	200 mV peak-to-peak maximum ripple on any of the regulators, and 250 mV peak-to-peak maximum ripple on dc voltage pins of the logic assembly.
b.	-15 \pm 0.75 Vdc	
c.	+5 \pm 0.15 Vdc	

All three regulators contain current-limiting circuitry and are further protected against short circuits by a permanent fuse. Only the +5 Vdc regulator (logic power) contains a nonadjustable Zener diode for automatic overvoltage protection.



CHAPTER 5

MAINTENANCE

5.1 RECOMMENDED TOOLS AND TEST EQUIPMENT

Table 5-1 lists the recommended tools and test equipment to be used with the standard tools for proper maintenance of the RK05 Disk Drive.

5.2 PREVENTIVE MAINTENANCE

When the disk drive is operated in a normal office environment on a one-shift basis, perform the preventive maintenance (PM) procedures as indicated in Table 5-2. An abnormally dirty environment or a high incidence of cartridge exchange may require more preventive maintenance than the amount indicated in the schedule. During the PM procedures, unless specifically indicated, do not alter any adjustments on drives that are performing satisfactorily.

NOTE

Any time the plenum cover is removed, the head alignment must be checked.

5.2.1 500-Hour PM Procedure

The preventive maintenance procedure to be performed after 500 hours is as follows:

1. Remove the disk cartridge from the drive.
2. Open the rear door of the rack and unplug the drive ac line cord.
3. Inspect the read/write heads for excessive dirt or oxide. If necessary, clean the heads with the wand and Tex pads supplied with the Head Cleaning Kit.
4. Restore the drive to normal operation.

5.2.2 1,500-Hour PM Procedure

The preventive maintenance procedure to be performed after 1,500 hours is as follows:

1. Remove the disk cartridge from the drive.

2. Open the rear door of the rack and unplug the drive ac line cord.
3. Inspect and clean the read/write heads, if required (Paragraph 5.2.1, Step 3).
4. Vacuum the prefilter outer face (Figure 5-1). If there is excessive dirt on the prefilter, remove the filter and clean it with a mild liquid detergent (e.g., Ivory) and warm water. Using the vacuum cleaner exhaust, air-dry the filter completely before installation.

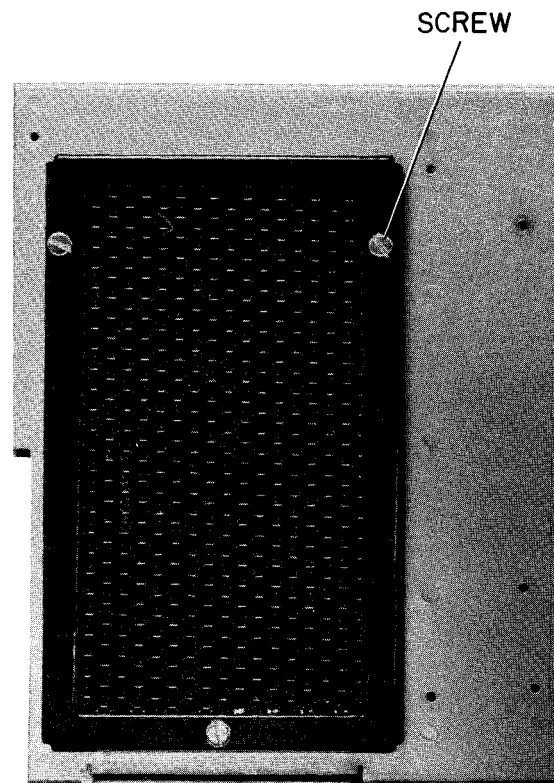


Figure 5-1 Prefilter

**Table 5-1
Recommended Tools and Test Equipment**

Equipment	Manufacturer and Model/Part No.
Multimeter	Triplet 310 or Simpson 360
Oscilloscope	Tektronix 453 or equivalent
Oscilloscope probes Voltage Current	Tektronix P6010 Tektronix P6019 clip-on (with passive terminator)
Screwdriver, Phillips, small	Vaco P-1 or equivalent
Wire wrap tool (24-gauge)	DEC H811
Unwrapping tool (24-gauge)	DEC H812
Wire wrap tool (30-gauge)	DEC H811A
Unwrapping tool (30-gauge)	DEC H812A
Module Extender Board*	DEC H982
Torque wrench (55 oz-in., for head clamping screws)	29-20995
Wrench set (10-piece)	29-13519
Torque wrench (65 lb-in., for securing positioner to baseplate)	29-20906
Extension bar, 6 in.	29-20907
Hex-head wrench 3/16 in.	29-20908
Head insertion tool	29-20994
Head cleaning kit includes Tex pads (29-19557) and wand (29-19558)	22-00007
Inspection mirror	29-19663
Isopropyl alcohol (1 pint-91%)	29-19665
0.005-in. blue shim stock	29-19664
Alignment cartridge	RK05K-AC

*Not to be used for G180 module

**Table 5-2
Preventive Maintenance Schedule**

Frequency		Area	Action	Reference (Paragraph)
Months	Hours			
2	500	Read/Write Heads	Clean—heavy operation (e.g., extensive cartridge exchange with frequent starts and stops). Frequent use of virgin cartridges.	5.2.1
3	750	Spindle Belt Tension	Check	5.2.3
3	750	Prefilter	Clean	5.2.2
3	750	Spindle	Clean Check for bearing noise	5.2.2 5.2.2
4	1,000	Read/Write Heads	Clean—medium operation	5.2.1
6	1,500	Read/Write Heads	Clean—light operation (e.g., minimum cartridge exchange with infrequent starts and stops)	5.2.2
12	3,000	Prefilter	Replace	
12	3,000	Absolute Filter	Replace	5.2.4
24	6,000	Linear Positioner	Inspect flexstrip for cracks in copper leads. Check ease of forward and backward motion. Check for excessive lateral motion. Check velocity profile (64-cylinder seek waveform).	5.4.2
24	6,000	Read/Write Heads	Check head alignment.	5.4.5
30	7,500	Spindle Ground	Check contact with ohmmeter.	
60	15,000	Spindle Ground	Remove spindle and replace ground assembly.	5.3.4
60	15,000	Spindle Drive Belt	Replace and clean pulleys.	5.3.5.3
60	15,000	Blower	Remove and clean impeller.	5.3.6
120	30,000	Spindle	Replace	5.3.4
120	30,000	Spindle Motor	Replace	5.3.5
120	30,000	Blower Motor	Replace	5.3.7
120	30,000	Linear Transducer	Clean scale, reticle, and lens w/91% isopropyl alcohol.	

5. Remove the flexible magnet from the spindle and clean the armature plate with a clean cloth moistened with 91% isopropyl alcohol. Using the sticky side of masking tape, remove any metallic particles from the armature plate. Reinstall the flexible magnet.
6. Restore the drive to normal operation and check for excessive spindle bearing noise while the spindle is rotating. Replace the spindle (Paragraph 5.3.4) if excessive noise occurs.
3. Inspect and clean the read/write heads, if required (Paragraph 5.2.1, Step 3).
4. Replace the prefilter.
5. Replace the absolute filter (Paragraph 5.2.4).
6. Check the spindle drive belt tension by squeezing the belt slightly so that the distance AB (Figure 5-2) is reduced by approximately 1/8 of an inch. When the belt is released, the tension spring should restore the motor mounting plate enough to maintain tension on the belt. If it does not, replace the belt (Paragraph 5.3).

5.2.3 3,000-Hour PM Procedure

The preventive maintenance procedure to be performed after 3,000 hours is as follows:

1. Remove the disk cartridge from the drive.
2. Open the rear door of the rack and unplug the drive ac line cord.
7. Restore the drive to normal operation.

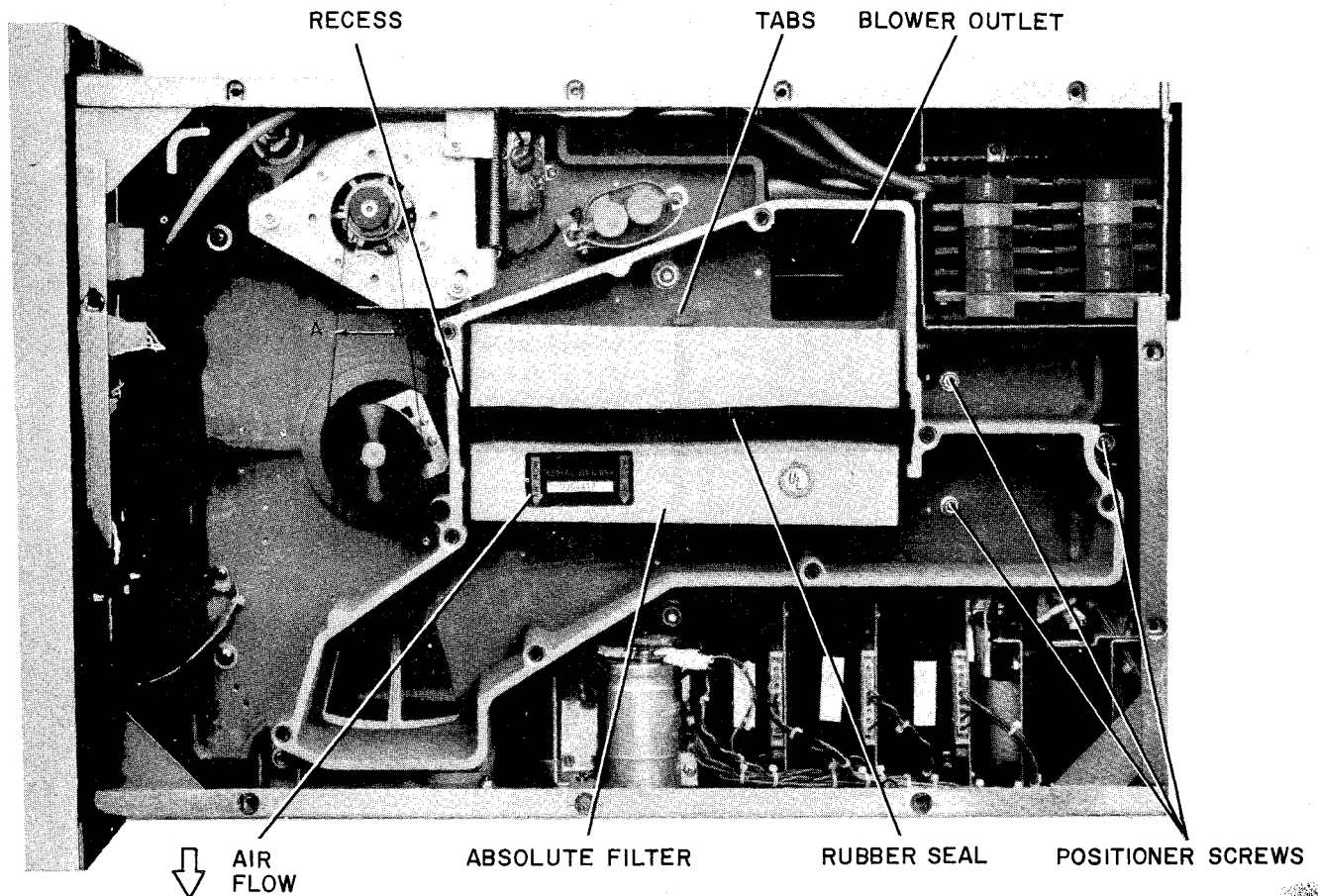


Figure 5-2 Absolute Filter Removal

5.2.4 Absolute Filter Removal and Replacement

Removal and replacement procedures for the absolute filter are as follows:

1. Open the rear door of the rack and unplug the drive ac line cord.
2. Slide the drive out of the rack until it locks in the extended position.
3. Remove the bottom and plenum covers (Figure 5-2).
4. Remove the absolute filter.
5. Install a new filter with the arrow (air flow) pointing away from the blower outlet. Ensure that the filter is positioned between the two tabs, and that the rubber seal is in the baseplate recess.
6. Replace the plenum and bottom covers.
7. Slide the drive into the rack, connect the ac line cord, and close the rear door.
8. Check read/write head alignment (Paragraph 5.4.5).

5.3 CORRECTIVE MAINTENANCE

5.3.1 Linear Positioner

5.3.1.1 Positioner Removal — The procedure for removal of the linear positioner is as follows:

1. Remove the disk cartridge from the drive.
2. Open the rear door of the rack and unplug the drive ac line cord.
3. Slide the drive out of the rack until it locks in the extended position.
4. Remove the top, bottom, and plenum covers.
5. Disconnect P5 (Figure 5-3) from the power supply chassis.
6. Remove the position transducer wires from TB1 pins 1 through 9 and TB2 pins 8 and 9.
7. Disconnect the head connectors from the electronic module.

8. Remove the absolute filter (Paragraph 5.2.4).
9. Remove the three screws beneath the baseplate that attach the positioner to the baseplate (Figure 5-2).
10. Carefully maneuver the positioner off the locating pins on top of the baseplate and lift the positioner straight up from the baseplate.

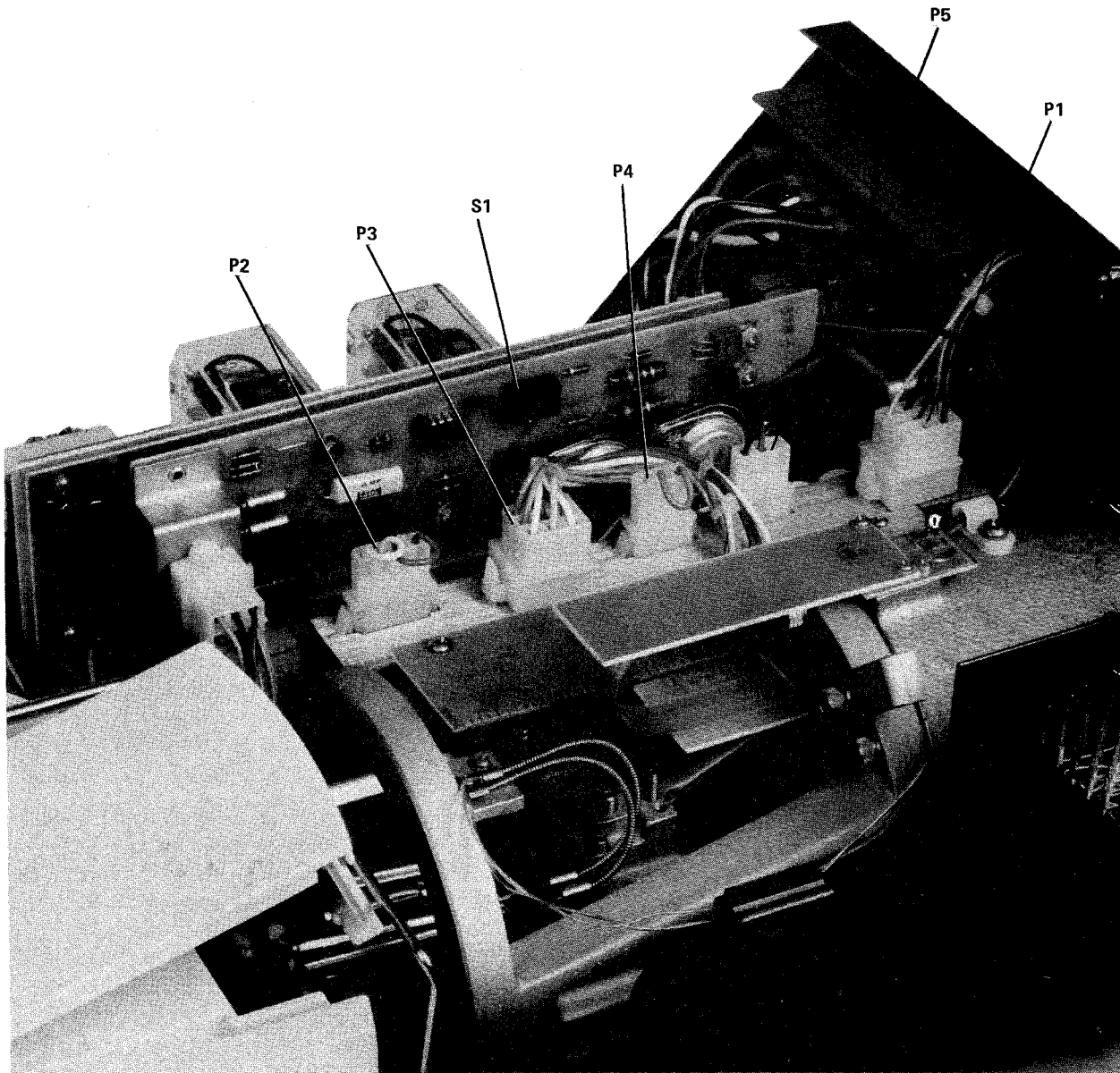
5.3.1.2 Positioner Replacement — The procedure for replacement of the linear positioner is as follows:

1. Carefully place the positioner on the three locating pins on top of the baseplate. Ensure that the two front pins rest against the front surface of the motor housing and the third diamond-shaped pin is in the center hole of the mounting face.
2. Insert the three positioner holding screws (Figure 5-2) through the bottom of the baseplate and finger-tighten the screws.
3. Ensure that the positioner is located securely against the front locating pins by tightening the holding screws with a torque wrench (set to 65 pound-inches) while applying forward pressure to the rear of the positioner.
4. With a feeler gauge, ensure that clearance between the front of the motor housing and the baseplate is less than .002 inch. If not, loosen the positioner-holding screws and repeat Step 3.
5. Connect the position transducer wires to TB1 and TB2 (Figure 5-4).

NOTE

Refer to the chassis wiring diagram for TB1 and TB2 connection color code.

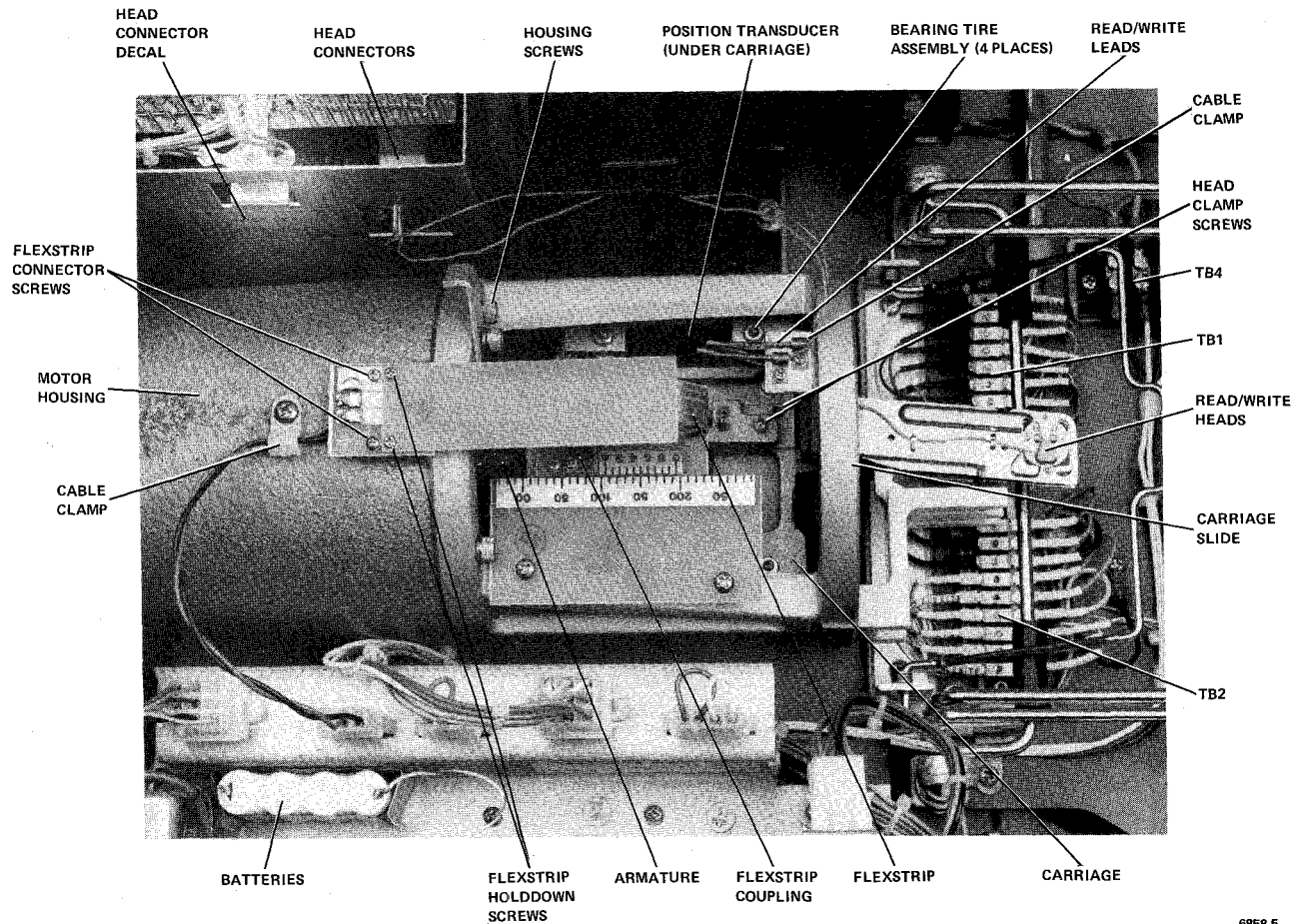
6. Plug P5 (Figure 5-3) into the power supply chassis.
7. Connect the head leads to the electronic module. Refer to the pin number decal on the logic assembly and schematic CS-G180 for the correct plug locations.
8. Install the absolute filter with the arrow (air flow) pointing away from the blower outlet (Figure 5-2). Ensure that the filter is positioned between the two tabs and that the rubber seal is in the baseplate recess.



6858-3

Figure 5-3 Internal Power Supply Connections

9. Replace the plenum and bottom covers.
10. Connect the ac line cord and check the read/write head alignment (Paragraph 5.4.5).
11. Replace the top cover.
12. Close the rear door, install a test cartridge, and exercise the drive.
13. Check read/write head alignment (Paragraph 5.4.5).



6858-5

Figure 5-4 Top View of RK05 with Cover Removed

5.3.2 Carriage

5.3.2.1 Carriage Removal – The procedure for removal of the carriage is as follows:

1. Remove the linear positioner (Paragraph 5.3.1.1).
2. Remove the read/write heads (Paragraph 5.3.3.1).
3. Remove the four flexstrip connector and flexstrip holddown screws (Figure 5-4). Do not disconnect the flexstrip coupling from the armature.
4. Remove the cable clamp screw from the top of the motor housing.
5. Remove the home switch and bracket from the carriage slide.
6. Remove the five screws securing the carriage slide to the motor housing.
7. Slowly pull the carriage and slide straight out from the motor housing.
8. Slide the carriage and armature out from the back of the carriage slide, ensuring that the transducer block does not contact the glass scale.

5.3.2.2 Carriage Replacement – The procedure for replacement of the carriage is as follows:

1. Carefully insert the armature and carriage into the carriage slide, ensuring that the transducer block does not contact the glass scale.
2. Insert the armature and carriage slide into the motor housing, ensuring that the dowel pin on the housing goes into the V-groove on the carriage slide.
3. Replace the five screws that secure the carriage slide to the motor housing (Figure 5-4).
4. Loop the flexstrip onto the top of the motor housing and replace the four flexstrip connector and hold-down screws.
5. Replace the cable clamp.
6. Replace the home switch and bracket on the carriage slide.
7. Stand the positioner up on the motor housing end, and adjust the home switch as follows:
 - a. Pull the carriage out from the motor housing until the switch actuator on the carriage is free from the switch.
 - b. Hold a steel scale across the machined face of the carriage slide and stand another scale on the machined face (near the head mounting holes) of the carriage.
 - c. Slowly move the carriage in towards the motor housing until the home switch clicks. At this point, the vertical steel scale on the carriage face should indicate $2.050 \pm .020$ inches.
8. Replace the read/write heads (Paragraph 5.3.3.2).

IMPORTANT: THE SWITCH CHECK AND ADJUSTMENT MUST BE MADE ON THE BACKWARD CLICK OF THE HOME SWITCH, AND NOT WHILE THE CARRIAGE IS MOVING FORWARD.

9. With a piece of blue plastic shim stock, check for .005 in. clearance between the transducer glass scale and the reticle. If the clearance is incorrect, loosen the transducer block mounting screws and reposition the block to obtain the correct clearance.
10. Replace the linear positioner (Paragraph 5.3.1.2).
11. Perform the servo system timing adjustment (Paragraph 5.4.2).
12. Check the read/write head alignment (Paragraph 5.4.5).

5.3.2.3 Carriage Bearing Assembly Removal – The procedure for removing the carriage bearing assembly is as follows:

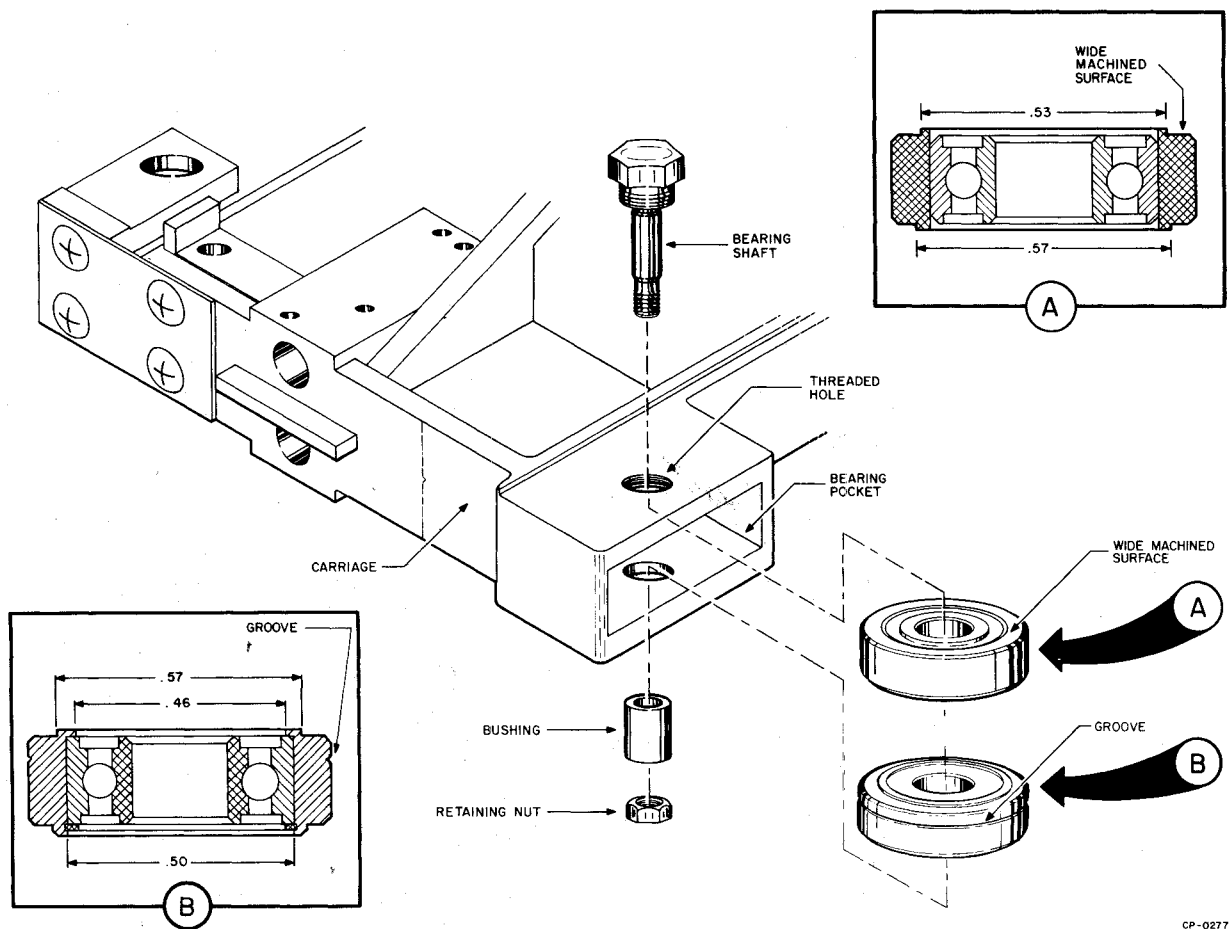
1. Remove the linear positioner (Paragraph 5.3.1.1).
2. Remove the carriage from the linear position (Paragraph 5.3.2.1).
3. Using a 3/8-in. nut driver, loosen the bearing shaft nut (Figure 5-5) one-half turn.
4. Hold the 3/8-in. bearing shaft nut and remove the retaining nut from the other end of the shaft.
5. Remove the bushing from the shaft and unscrew the bearing shaft.
6. Remove the bearing.

NOTE

Replace all four bearings at the same time.

5.3.2.4 Carriage Bearing Assembly Replacement – The procedure for replacing the carriage bearing assembly is as follows:

1. Examine the bearing for a groove running around the outer diameter of the tire. If the groove is absent (Figure 5-5a), insert the bearing into the bearing pocket, with the widest machined surface of the bearing toward the threaded hole in the pocket. If the groove is present (Figure 5-5b), insert the bearing into the bearing pocket, with the groove nearest the threaded hole.



CP-0277

Figure 5-5 Carriage Bearing Assembly Removal

2. Insert the bearing shaft into the threaded pocket hole and through the center hole in the bearing.
3. Turn the 3/8-in. bearing shaft nut just a few turns to start the shaft threads into the pocket hold threads. Do not tighten the shaft at this time.
4. Insert the bushing on the other end of the shaft and replace the retaining nut.
5. Hold the 3/8-in. bearing shaft nut and tighten the retaining nut until the bushing moves the bearing close to the pocket top. Then tighten the 3/8-in. bearing shaft nut until the bearing moves close to the pocket bottom.
6. Continue alternate nut tightening as described in Step 5, above, until the bearing shaft and retaining nuts are secure.
7. Replace the carriage in the linear positioner (Paragraph 5.3.2.2).
8. Replace the linear positioner (Paragraph 5.3.1.2).
9. Check the read/write head alignment (Paragraph 5.4.5).

NOTE

When performing Steps 5 and 6, do not allow the bearing assembly to touch the top or bottom of the carriage pocket.

5.3.2.5 Transducer Block Removal and Replacement – The procedure for removal and replacement of the transducer block is as follows:

1. Remove the linear positioner (Paragraph 5.3.1.1).
2. Remove the clamp attaching the position transducer leads to the carriage slide.
3. Remove the two screws attaching the transducer block to the carriage slide and carefully maneuver the transducer block out of the slide, ensuring that the block does not scratch the glass scale.
4. Install the new transducer block on the carriage slide with the previously removed hardware.
5. Replace the transducer leads in the clamp and attach the clamp to the carriage slide.
6. With a piece of blue plastic shim stock, ensure that the clearance between the transducer glass scale and the reticle is .005 inch. If the clearance is incorrect, loosen the transducer block mounting screws and reposition the block to obtain the correct clearance.
7. Replace the linear positioner (Paragraph 5.3.1.2) and perform the servo system timing adjustment (Paragraph 5.4.2).
8. Align the read/write heads (Paragraph 5.4.5).

5.3.3 Read/Write Heads

5.3.3.1 Head Removal, without Head Insertion Tool – The procedure for removing the read/write heads without using a head insertion tool is as follows:

1. Remove the disk cartridge from the drive.
2. Open the rear door of the rack and unplug the drive ac line cord.
3. Slide the drive out of the rack until it locks in the extended position.
4. Remove the top cover.
5. Disconnect the head connectors (Figure 5-4) from the electronic module.
6. Disconnect P5 (Figure 5-3) from the power supply chassis.

7. Remove the head clamp and head adjusting screws.
8. Retract the carriage to unload the heads and carefully remove the upper head (Figure 5-6a).
9. Extend the carriage and remove the lower head (Figure 5-6b).

5.3.3.2 Head Replacement, without Head Insertion Tool – The procedure for replacement of the read/write heads without using a head insertion tool is as follows:

1. Extend the carriage and insert the lower head tailpiece into the carriage (Figure 5-6b).
2. Retract the carriage to the home position so that the lower head is supported by the lifting block on the duckbill.
3. To install the upper head, it is necessary to straighten the head from its natural position. Carefully install the upper head as follows:
 - a. Insert the end of the tailpiece slightly into the carriage hole (Figure 5-6a).

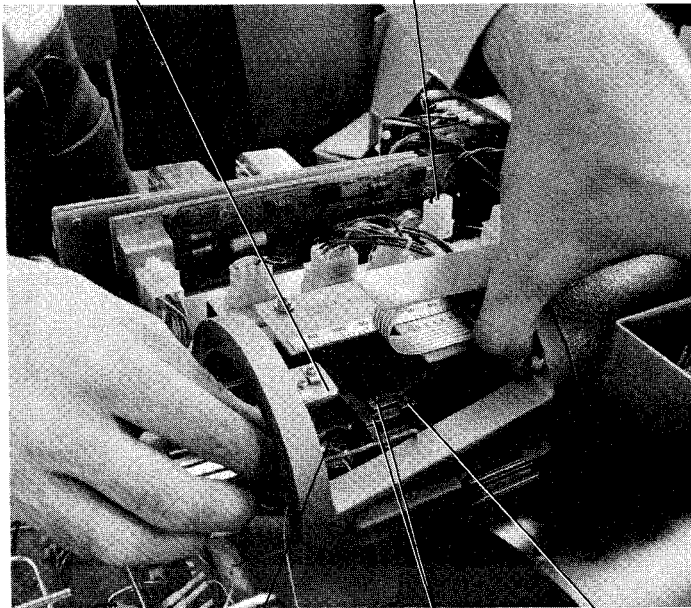
CAUTION

Exercise extreme care while performing Step b., below. If the yield point of the spring is exceeded during the straightening process, the loading force on the head will change.

- b. Simultaneously press down at the front of the tailpiece and lift the front of the suspension spring while pushing the head backward. This process tends to straighten the head suspension spring for easier insertion into the carriage hole. Do not over-bend the suspension spring, and avoid touching the ceramic surfaces of the head pads during installation.
4. Replace the head clamp and adjusting screws (Figure 5-6a) and lightly tighten the clamp screws with the heads located approximately .030 inch from the fully seated position.
 5. Replace the read/write head cables in the clamp on the carriage slide and connect the head connectors to the electronic module. Refer to the decal on the chassis for the correct lead connections.

CARRIAGE (HELD RETRACTED)

P5



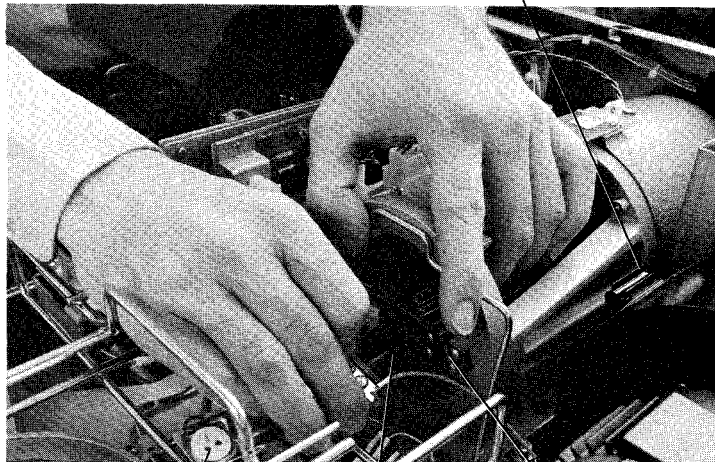
UPPER HEAD
TAIL PIECE

CLAMP SCREW
HOLES

ADJUSTING
SCREW HOLES

a. Upper Head Removal and Installation

CLAMP



LOWER HEAD

LOWER HEAD
TAIL PIECE

CARRIAGE
HELD EXTENDED

b. Lower Head Removal and Installation

Figure 5-6 Read/Write Head Replacement without Head Insertion Tool

6. Plug P5 into the power supply chassis.
7. Check the read/write head alignment (Paragraph 5.4.5).
8. Perform the index/sector timing adjustment (Paragraph 5.4.4).
9. Replace the top cover.
10. Close the rear door.

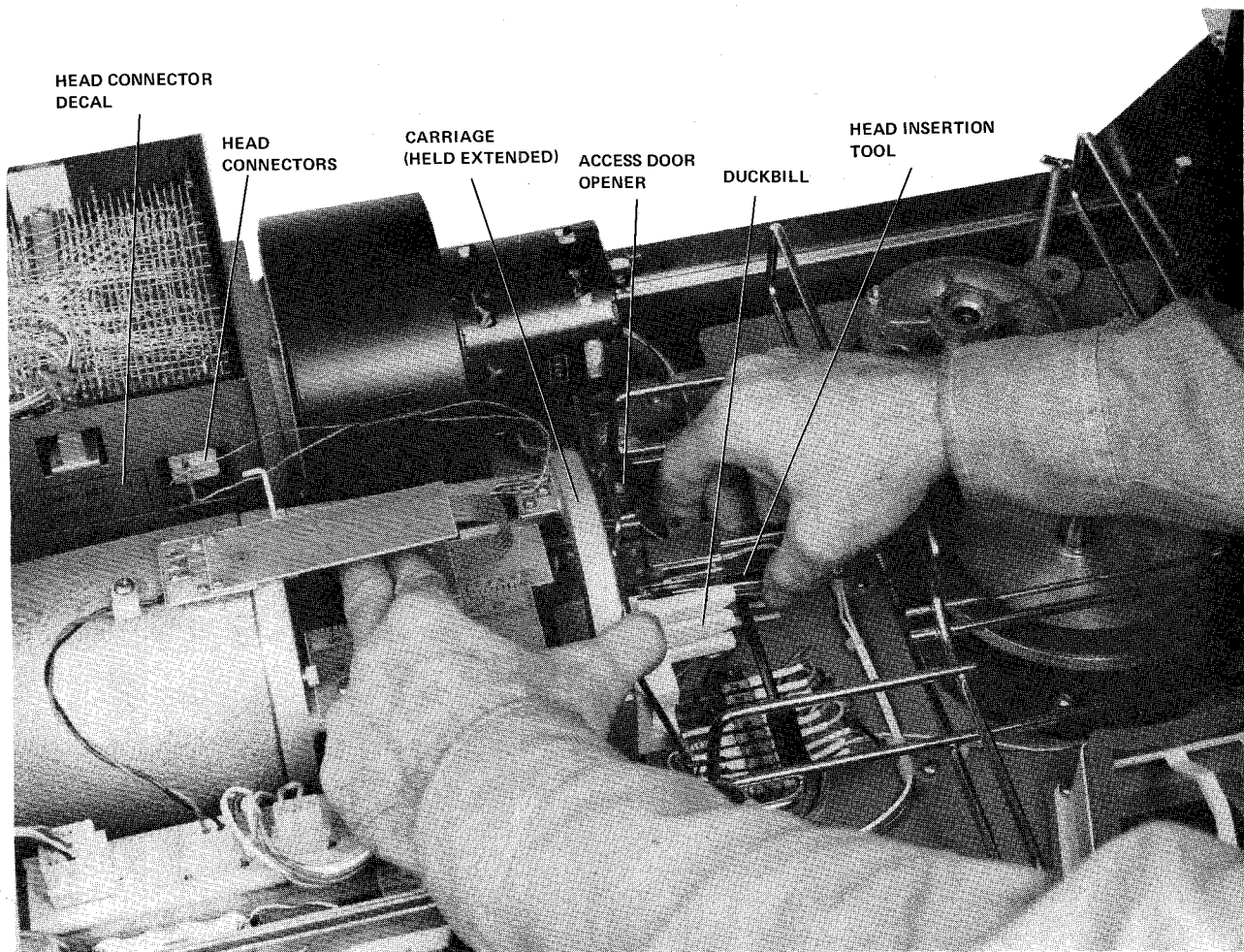
5.3.3.3 Head Removal, with Head Insertion Tool – The procedure for removing the read/write heads using a head insertion tool is as follows:

1. Remove the disk cartridge from the drive.
2. Open the rear door of the rack and unplug the drive ac line cord.
3. Slide the drive out of the rack until it locks in the extended position.
4. Remove the top cover.
5. Disconnect the head connectors (Figure 5-7) from the electronic module.
6. Disconnect P5 (Figure 5-3) from the power supply chassis.
7. Remove the head clamp and head adjusting screws.
8. Reach through the front opening of the positioner and install the head insertion tool.
9. Holding the carriage retracted with the right hand, grasp the head insertion tool and the heads with the left hand.
10. Squeeze the head insertion tool and carefully work both heads out of the carriage.

5.3.3.4 Head Replacement, with Head Insertion Tool – The procedure for replacing the read/write heads using a head insertion tool is as follows:

1. Place both the upper and lower heads into the head insertion tool with the pads separated and the tailpieces oriented so that both heads may be inserted into the carriage simultaneously.
2. Place the center section of the lower head suspension arm, with the pad facing up and to the right, in the lower slot of the head insertion tool.

3. Slide the lower head forward into the head insertion tool, forcing the tailpiece to a straightened position so that the front end of the tailpiece is within the slot of the tool and the head spring retaining screws rest against the thin portion of the center section of the head insertion tool.
4. Install the upper head in the upper slot of the head insertion tool as in Step 2, above, but with the pad facing down.
5. Push both heads solidly against the rear wall of the head insertion tool.
6. Disconnect the positioner power cable from J5 of the power supply assembly.
7. Screw a pair of head adjusting screws slightly into the rear holes of the carriage. *Clamping screws must not be in place.*
8. Secure the access door opener to the front of the positioner in a fully-lifted position so as not to obstruct the area in front of the positioner.
9. Grasp the head/head-insertion-tool assembly with the right hand (Figure 5-7), with the thumb on top of the head insertion tool and the index and middle fingers on the bottom of the head insertion tool. Holding the carriage forward with the left hand, carefully insert the head tailpiece shafts into the mating carriage holes. It may be necessary to manipulate the tailpieces slightly to provide the alignment required for easy insertion. *Do not force the tailpieces into the alignment.*
10. With the heads pushed into the tailpieces approximately .060 in. from the fully-seated position, remove the head insertion tool. Install clamping screws and tighten lightly.
11. Secure the head cable spring shields by clamps at the front of the positioner. Refer to the decal on the chassis for the correct lead connections.
12. Plug P5 into the power supply chassis.
13. Check the read/write head alignment (Paragraph 5.4.5).
14. Perform the index/sector timing adjustment (Paragraph 5.4.4).
15. Replace the top cover.
16. Close the rear door.



6858-11

Figure 5-7 Read/Write Head Replacement with Head Insertion Tool

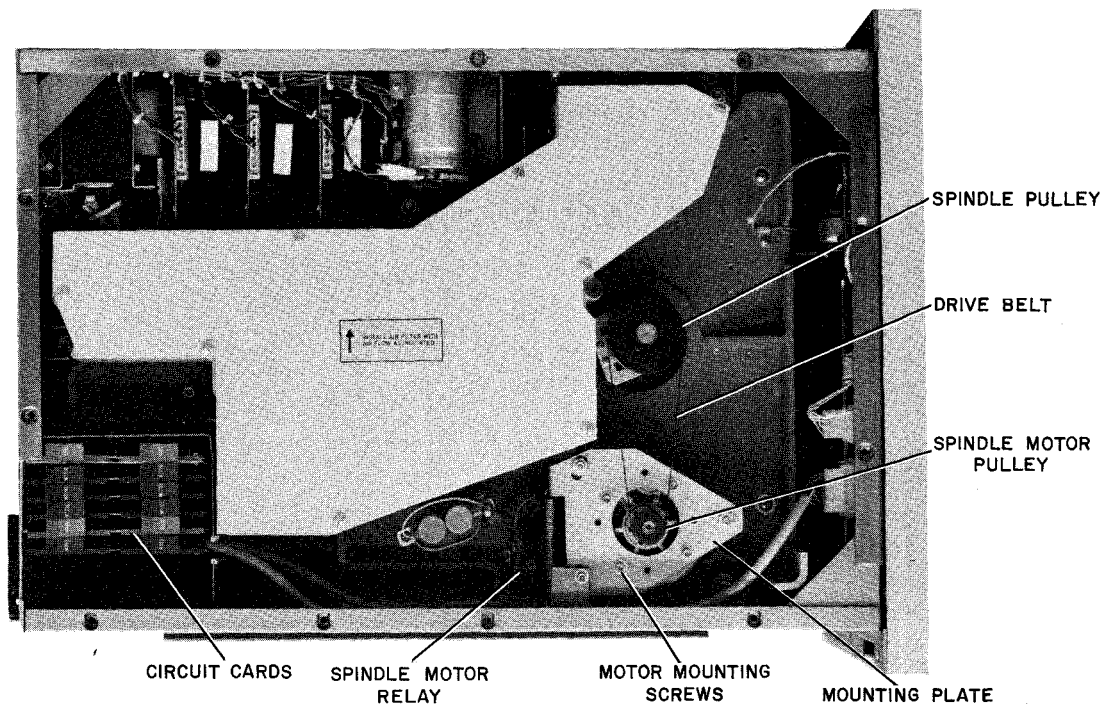
5.3.4 Spindle

5.3.4.1 Spindle Removal – The procedure for removing the spindle is as follows:

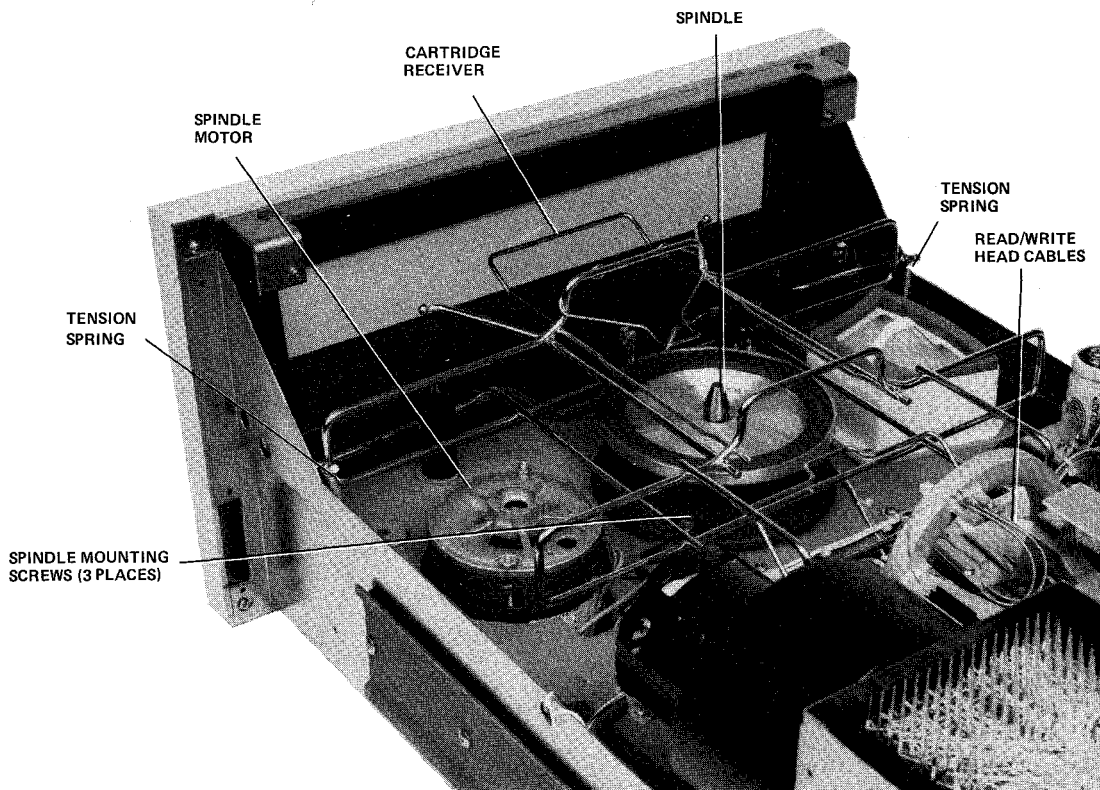
1. Remove the disk cartridge from the drive.
2. Open the rear door of the rack and unplug the drive ac line cord.
3. Slide the drive out of the rack until it locks in the extended position.
4. Remove the top and bottom covers.
5. Remove the drive belt (Figure 5-8a) by first pushing the spindle motor mounting plate toward the spindle to relieve belt tension, and then slipping the belt off the pulleys.
6. Remove the tension springs from the cartridge receiver (Figure 5-8b) and raise the receiver as high as possible.

CAUTION

Do not remove the duckbill when performing Step 6, below, because read/write head damage could occur when the cartridge receiver is raised.



a. Drive Belt



b. Spindle

Figure 5-8 Spindle Replacement

7. Remove the flexible magnet from the spindle armature to expose the access hole in the spindle plate.
8. Position the access over each of the spindle retaining screws and remove them. Do not apply any force to the spindle armature plate (.000150-in. runout).
9. Lift the spindle free from the drive baseplate.

5.3.4.2 Spindle Replacement – The procedure for replacing the spindle is as follows:

1. Raise the cartridge receiver as high as possible and install the spindle on the baseplate with the previously removed hardware. Avoid damaging either the baseplate mounting surfaces or the spindle flange; this could cause the spindle to seat as much as several thousandths of an inch out of its proper position.
2. Lower the cartridge receiver and attach the tension spring (Figure 5-8b).
3. Push the spindle motor mounting plate (Figure 5-8a) toward the spindle and slip the drive belt around the pulleys.
4. Connect the ac line cord and check the read/write head alignment (Paragraph 5.4.5).
5. Replace the top and bottom covers.
6. Slide the drive into the rack and close the rear door.

5.3.4.3 Spindle Ground (Carbon Brush) Removal and Replacement – The procedure for removing and replacing the carbon brush assembly is as follows:

1. Open the rear door of the rack and unplug the drive ac line cord.
2. Slide the drive out of the rack until it locks in the extended position.
3. Remove the bottom covers and remove the two screws that attach the carbon brush assembly to the spindle (Figure 5-9).
4. Mount the new brush assembly on the spindle and ensure that the curved brushes are centered on the spindle hub and that the brush assembly is not cocked or twisted. Full contact between the curved surfaces of the brushes and shaft is necessary to prevent brushes from squealing.

5. Tighten the brush assembly mounting screws and replace the bottom covers.
6. Slide the drive into the rack, reconnect the ac line cord, and close the rear door.

5.3.5 Spindle Drive Motor

5.3.5.1 Motor Removal – The procedure for removing the spindle drive motor is as follows:

1. Remove the disk cartridge from the drive.
2. Open the rear door of the rack and unplug the drive ac line cord.
3. Slide the drive out of the rack until it locks in the extended position.
4. Remove the top and bottom covers.
5. Disconnect the spindle motor leads from TB4 (Figure 5-4), and from the spindle motor relay (Figure 5-8a).
6. Remove the drive belt (Figure 5-8a) by pushing the spindle motor mounting plate toward the spindle to relieve belt tension, and then slipping the belt off the pulleys.

NOTE

The spindle motor mounting plate contains two sets of holes, one for 50-Hz operation, the other for 60-Hz operation. Before performing Step 7, below, note which set of holes is being used, to ensure correct replacement of the motor (Figure 5-9).

7. Remove the four screws attaching the motor to the mounting plate and remove the motor through the top of the baseplate.

5.3.5.2 Motor Replacement – The procedure for replacing the spindle drive motor is as follows:

1. Insert the spindle motor through the top of the baseplate (Figure 5-8a) and attach the motor to the mounting plate with the previously removed hardware.
2. Push the spindle motor mounting plate toward the spindle and slip the drive belt around the pulleys.

FOR 50 Hz OPERATION,
MOVE MOTOR MOUNTING
SCREWS TO THESE HOLES (4)

CARBON BRUSH ASSEMBLY
MOUNTING SCREWS

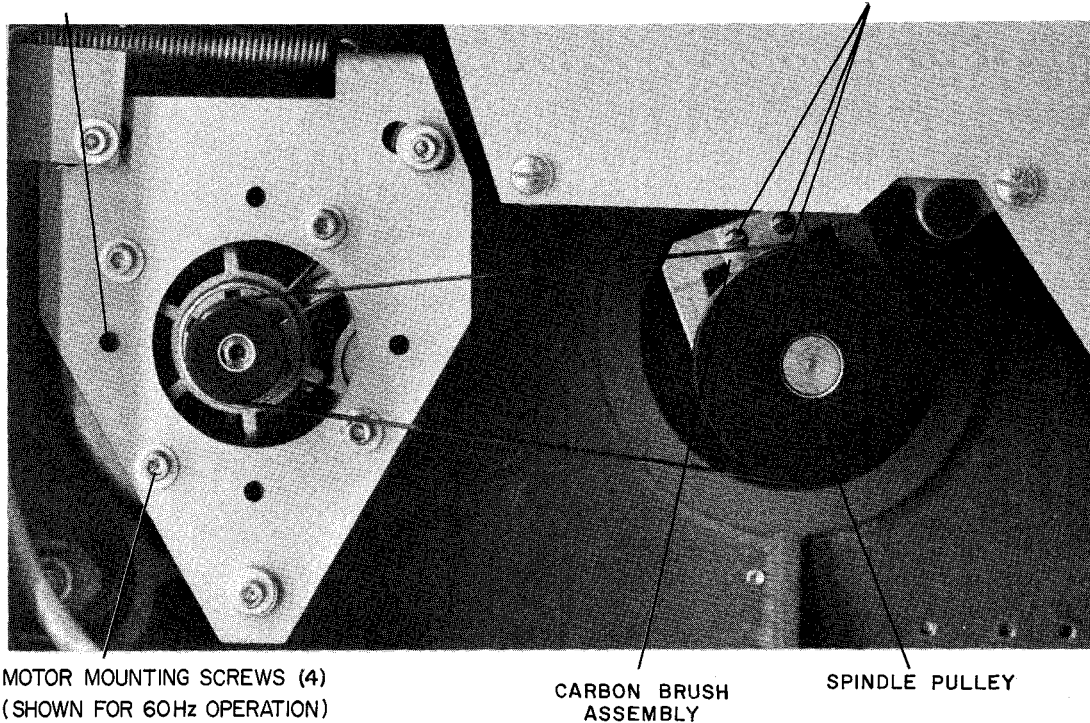


Figure 5-9 Carbon Brush Replacement

3. Connect the spindle motor leads to TB4 (Figure 5-4) and to the spindle motor relay (Figure 5-8a). Refer to the chassis wiring drawing for TB4 and the spindle motor relay connection color code.
4. Check the read/write head alignment (Paragraph 5.4.5).
5. Replace the top and bottom covers.
6. Slide the drive into the rack and connect the ac line cord.
7. Close the rear door.
2. Open the rear door of the rack and unplug the drive ac line cord.
3. Slide the drive out of the rack until it locks in the extended position.
4. Remove the bottom cover.
5. Push the spindle motor mounting plate (Figure 5-8a) toward the spindle to relieve belt tension, and then slip the belt off the pulleys.
6. Clean the spindle and drive motor pulleys with a clean cloth moistened with 91% isopropyl alcohol.
7. Install a new drive belt by pushing the spindle motor mounting plate toward the spindle and slipping the drive belt around the pulleys. *Do not stretch the belt!*
8. Replace the bottom cover.

5.3.5.3 Drive Belt Removal and Replacement – The procedure for removing and replacing the drive belt is as follows:

1. Remove the disk cartridge from the drive.

9. Slide the drive into the rack and connect the ac line cord.
10. Close the rear door.

5.3.6 Blower Motor

5.3.6.1 Blower Removal – The procedure for removing the blower is as follows:

1. Remove the disk cartridge from the drive.
2. Open the rear door of the rack and unplug the drive ac line cord.
3. Slide the drive out of the rack until it locks in the extended position.
4. Remove the top and bottom covers.
5. Disconnect the blower leads from TB4 (Figure 5-4).
6. Remove the four blower mounting screws and carefully remove the blower and shroud from the baseplate. Be careful not to damage the foam seal while removing the blower.

5.3.6.2 Blower Replacement – The procedure for replacing the blower is as follows:

1. Carefully insert the shroud inlet ring into the foam seal (Figure 5-10) and secure the blower and shroud to the baseplate with the previously removed hardware.
2. Connect the blower leads to TB4.
3. Replace the top and bottom covers.
4. Slide the drive into the rack and connect the ac line cord.
5. Close the rear door.

5.3.7 Power Supply Removal

Close tolerances between the power supply package, the baseplate assembly, and the chassis make it necessary to remove the frontmost (+15 Vdc) regulator before removing the RK05 power supply and assembly. The procedure is as follows:

1. Loosen the two captive screws that hold the frontmost regulator in place.
2. Remove that regulator.
3. There should now be enough room to maneuver the power supply free and remove it.

5.3.8 Cartridge Cleaning

Professional cartridge cleaning is recommended wherever practicable. However, it may occasionally become necessary for qualified DEC Field Service personnel to clean cartridges in a troubleshooting or emergency maintenance situation. Application of this procedure by unqualified personnel will void warranty on that cartridge and on any drive in which that cartridge is operated.

5.3.8.1 Cartridge Cleaning Procedure – The procedure for such emergency cleaning of cartridges is as follows:

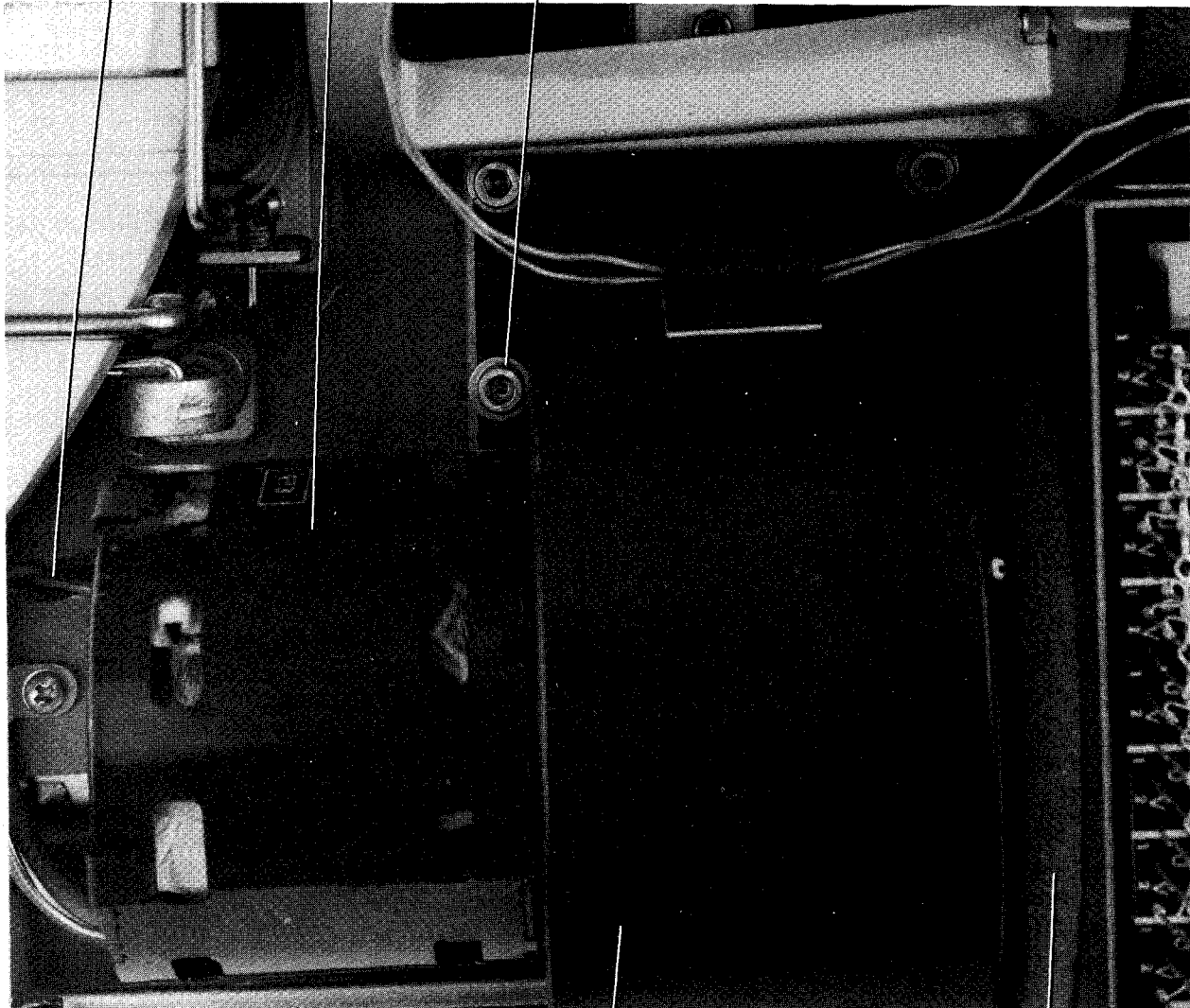
1. Lay the cartridge bottom up on a clean, hard surface, such as a cleared desktop or table. In this position the cartridge will tend to be somewhat unstable, and may require support.
2. Remove the screws that hold the cartridge top and bottom plastics together, using only enough downward force on the screwdriver to hold it in the screwhead. Excessive force can strip the threads of the plastic.
3. Pick up the disk by the hub, being careful not to hit the access door with the edge of the disk when lifting it out of the cartridge.

CAUTION

Do not loosen the four screws in the hub holding the clamping ring and filter ring to the disk; this would permit the disk (and data) to move in relation to the centering cone of the hub, which would cause the data to become unrecoverable.

BLOWER LEADS

BLOWER MOTOR MOUNTING SCREWS (4)



SHROUD

FORM SEAL

Figure 5-10 Blower Motor Removal

6858-4

4. Inspect the oxide surface of the disk for the following:

- a. "Comet tail" scratches – Ding marks with tapering scratches caused by particles embedded in the disk and then knocked out.
- b. "Full circle" scratches – Scratches caused by particles that remain stuck to the heads. This condition requires that the heads be cleaned.
- c. Single spot marks, dings, or scratches, with no associated circular scratches – These are usually the result of dimples or bumps on the disk, or of the air inlet door being pushed into the surface of the disk.
- d. Black (burned) or dark brown streaks of oxide.
- e. Fingerprints.

NOTE

A large number of small, shiny streaks all over a well-used disk is evidence of normal head/disk interference.

5. Inspect the hub for the following:

- a. Bent, nicked, or dirty sector slots in the sector ring.
- b. Bent, nicked, or dirty mating cone or mating ring-plate.

6. Inspect the top plastic for the following:

- a. Broken clear plastic seal on the access door.
- b. Retaining button that retracts when the access door is opened.
- c. Worn retaining button in center of the top.
- d. Properly closing access door.
- e. Signs of rubbing by the disk.
- f. Spring load on the retaining button.

7. Inspect the bottom plastic for the following:

- a. Broken rivets on the air inlet door.

b. Signs of rubbing by the disk.

c. Fingerprints on the air inlet door.

8. Lay the disk on a spread-out Kimwipe on a desk or tabletop. Press down on the hub with one hand to prevent the disk from tipping. With the other hand, wipe the surface of the disk with a Texpad or Kimwipe soaked in 91% isopropyl alcohol. Wipe with small circular motions as you move around the circumference of the disk.

CAUTION

Use only 91% isopropyl alcohol for this purpose. Water, trichloroethylene, and other solvents will attack the epoxy binder of the oxide.

9. Wipe the disk dry with a dry Kimwipe *before* the alcohol evaporates. If the alcohol is permitted to evaporate by itself, residue spots on the oxide will result. If it is necessary to rub an individual shiny spot or streak on the oxide, it should be done very gently; the surface of the disk could be bent by pressing down too hard.

10. Turn the disk over, holding it by the hub only. Do not handle the disk by its edges; this results in the deposit of finger oils that could be transferred to the oxide surface by further wiping.

CAUTION

Dry lint may be blown off gently by mouth. Do not spit on the disk. Do not use ordinary plant air, which may contain an unacceptable level of water or oil; canned air, however, is generally acceptable.

11. Wipe off the insides and outsides of both the top and bottom plastics, taking care not to leave any lint. Remove any portions of the clear plastic door seal that may break off during use of the cartridge.

12. Reassemble the cartridge. Locate the original threads in the top plastic screw holes by rotating the screw *backward* one or two revolutions before driving it. Use a minimum of downward force on the screwdriver to avoid damaging the plastic threads and creating plastic chips inside the cartridge.

5.3.8.2 Adverse Disk Conditions — The disk will probably cause damage to the heads if used in the following conditions:

1. The center retaining button shows signs of rubbing on the hub cone of the disk. This creates particles inside the cartridge during operation and allows the disk to rattle around inside the cartridge during handling.
2. The air inlet door is loose, or has broken rivets.
3. There are signs of disk rubbing on the insides of the cartridge.
4. The disk has nonremovable scratches or dings which stick up above the smooth oxide surface.
5. The disk causes continual tinging sounds after the usual single short ting that accompanies loading.
6. The disk continually deposits oxide on the heads.

CAUTION

If known good disks deposit oxide on the heads, the heads themselves may be at fault.

7. The disk has a hard and locatable error.

Cartridges displaying the above conditions can probably be used once more, if necessary, to recover critical data, but should be refurbished immediately thereafter, lest the heads crash and get destroyed.

Disks have been known to transfer data reliably despite having aluminum exposed through the oxide; conversely, disks have been known to crash heads despite having no visible scratches. The ultimate test of an acceptable disk must be whether it transfers data reliably while leaving the heads clean.

5.4 ALIGNMENT, CHECKS, AND ADJUSTMENTS

5.4.1 Alignment Cartridges

5.4.1.1 RK05K-AC Alignment Cartridge — This Digital Equipment Corporation alignment cartridge represents the preferred method for RK05 alignment procedures. It provides three tracks (principal track 105, plus spare tracks 85 and 125) of constant frequency data with alternate sectors recorded at displacements of +0.0025 and -0.0025 inches, respectively, from the ideal track locations. Figure 5-11 shows how to read the vernier when locating the desired track.

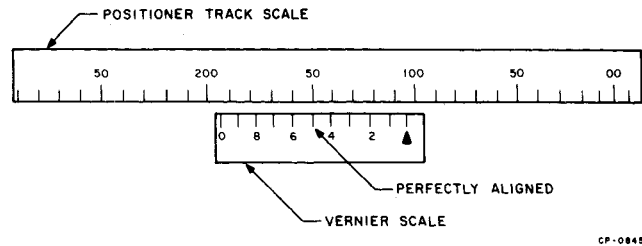


Figure 5-11 How to Read a Vernier

To determine the vernier scale reading:

1. Take the whole number value of the nearest positioner track scale marking to the *right* of the vernier scale triangle (▲).
2. Take the value of the vernier scale marking that aligns perfectly with a positioner track scale marking.
3. Add these two values to find the vernier reading.

In Figure 5-11, the nearest positioner track scale marking to the right of the triangle is 100; the vernier scale value that aligns perfectly with a positioner track scale marking is 5. Therefore, the vernier is set to Track 105 (100 + 5).

When a head is aligned to specifications, the readback signal shows equal amplitudes for both sectors (shown when the oscilloscope displays only two sectors, and triggered by the SECTOR signal). The degree of amplitude inequality in alternating sectors indicates the departure from exact alignment.

Sector timing data is included on all three tracks to indicate head gap location relative to sector pulse detection. This data is represented by a single pulse (70 μs nominal) triggered by the INDEX pulse 10 μs prior to the onset of head alignment data.

The RK05K-AC alignment cartridge also indicates the degree of runout on the spindle. When the oscilloscope is triggered on INDEX and a complete revolution of the disk is displayed, the head may appear to be aligned at some sector locations and misaligned at others. This condition indicates the degree of wobble of the spindle. Figure 5-12 shows a display with negligible runout; Figure 5-13 shows a spindle with considerable runout. The amount of wobble can be determined by the amplitude differences occurring in any adjacent pair of sector boundaries using the same equations used for head alignment.

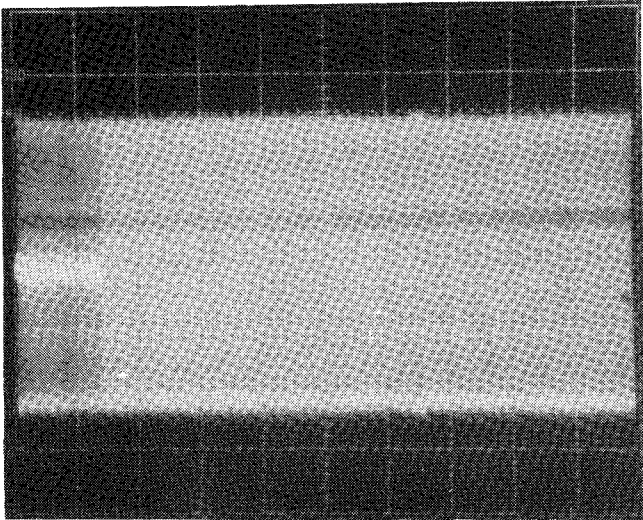


Figure 5-12 Negligible Runout

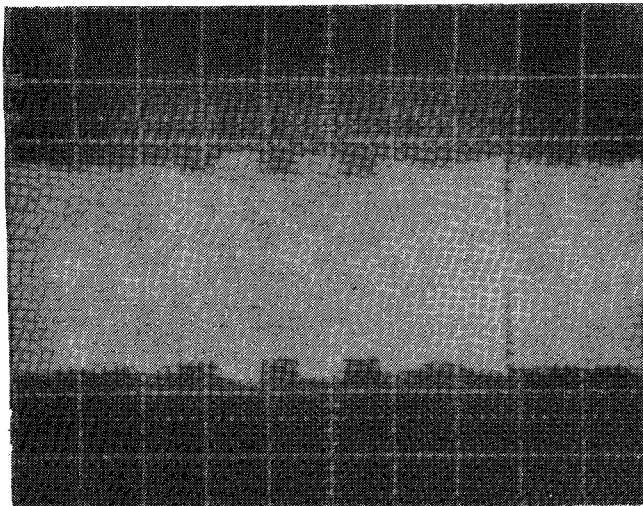


Figure 5-13 Considerable Runout

NOTE

If the condition shown in Figure 5-13 exists, ensure that the mating of spindle and disk is clean. Improper mating can cause such runout.

Specifications for the RK05K-AC Alignment Cartridge are as follows:

Alignment and Sector Timing Tracks – primary track – 105; backup tracks – 85, 125, (use only if track 105 is unusable)

Recorded Frequency – nominal 720 kHz

Number of Sectors – 12

Alignment Accuracy, track 105 – ± 200 microinches

Sector Timing – single pulse $70 \pm 10 \mu s$ following INDEX pulse

5.4.1.2 2315 CE Test Cartridge Shim Installation – (To be used *only* when an RK05K-AC Alignment Cartridge is not available). Before a 2315 CE test cartridge can be used for any RK05 alignment procedure, a .005-inch shim must be installed in the disk hub. Because the 2315 cartridge is recorded at low density and the RK05 uses a high-density cartridge, this shim is required to accentuate the wobble of the low-density cartridge and allow it to be used for high-density alignments. To install the shim properly, trim a piece of .005-inch shim stock as indicated in Figure 5-14 and attach it to the disk hub as follows:

1. Locate sector 00 by holding the cartridge upside down and observing the sector slots in the metal lip of the disk hub. Rotate the disk clockwise inside the plastic case until two slots close together are located (sector 11 and index slots). Continue to rotate the disk clockwise, stopping at the next slot (sector 00).
2. Position the shim 180 degrees from the sector 00 slot. Ensure that the narrow portion of the shim is in the spindle cavity and that the shim does not reach the bottom of the cavity.
3. Tape the shim in position.

5.4.2 Servo System Timing Checks and Adjustments

The servo system timing adjustments are precisely set at the factory and should *not* be routinely adjusted or fine-tuned as part of any PM procedure. If a positioner malfunction is suspected, all waveforms related to each phase of servo operation should be examined; based on these, the possible trouble should be diagnosed before any servo adjustments are attempted. Because some of the servo check tolerances differ from the adjustment tolerances, reference should be made to the check tolerances in Table 5-3 before adjustments are attempted.

NOTE

Settings within the tolerances listed in Table 5-3 should *not* be adjusted.

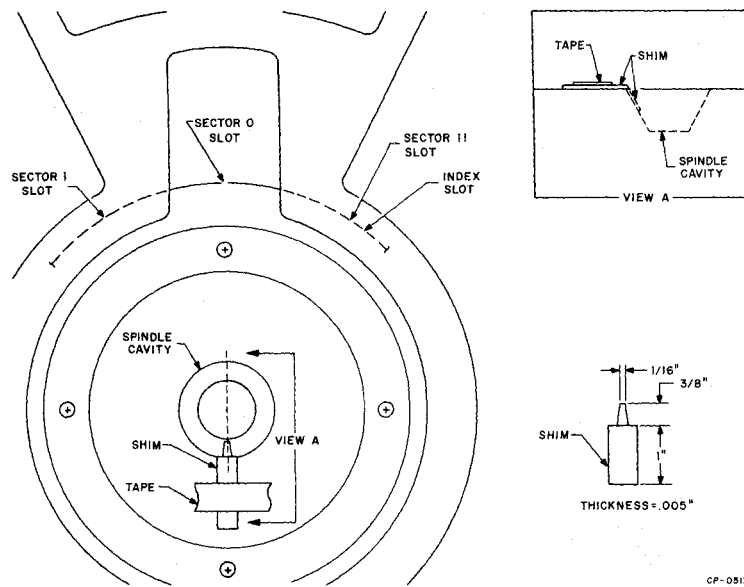


Figure 5-14 CE Test Cartridge Shim Installation

Table 5-3
Servo System Checks

Checks	Drive Configuration	Test Point	Tolerance	Reference
Sine Amplitude/ Offset	4 cyl osc seek	A05M1	10 ± 1 V p-p, ground symmetrical within $\pm 10\%$	Fig. 5-15
Velocity Offset	4 cyl osc seek	A05M1	ground symmetrical within $\pm 10\%$	Fig. 5-15
Cosine Amplitude	4 cyl osc seek	A05S1	10 ± 1 V p-p, ground symmetrical within $\pm 10\%$	Fig. 5-16
Velocity Amplitude	2 cyl osc seek	A05M1	center pulse duration $= 3.2 \pm .05$ ms	Fig. 5-17
Acceleration	64 cyl osc seek	A05H1	14 ms ± 1 ms rise time	Fig. 5-18
Full Stroke Profile	202 cyl osc seek	A05H1	< 90 ms waveform dura- tion with plateau at trailing edge	Fig. 5-19
Full Stroke Position	202 cyl osc seek	A05M1	equal beginning & end amplitudes within 5%. < 1 V overshoot	Fig. 5-20
Outer Limit	rep RTZ	A05J1	3 to 3.5 V amplitude. < 0.3 V plateau	Fig. 5-21

For most malfunction cases, the positioner system will operate enough to allow dynamic measurements. However, if the positioner either does not operate or operates very erratically, the static checks and adjustments described in Paragraph 5.4.2.2 should be performed.

If servo system parts are field-installed, settings must be readjusted, according to Table 5-3.

5.4.2.1 Dynamic Off-Line Checks and Adjustments – If on-line diagnostics or an RK05 Exerciser are not available to exercise the positioner, the RK05 should be disconnected from the interface bus and operated off-line.

In this mode, SECTOR pulses are jumpered to simulate STROBE pulses, and a SECTOR ADDRESS line is jumpered to provide changing inputs to selected CYLINDER ADDRESS lines. These jumper installations permit oscillating seeks between cylinder 00 and any selected cylinder to be performed (Appendix B and Appendix C).

The procedure for operating the drive off-line is as follows:

1. Unplug the drive ac line cord to remove power.
2. Install an M930 terminator card in position 7 or 8 of the electronic module.
3. Set the address select switch on the M7700 card (card position 2) to the first switch position.
4. Select the drive by connecting a jumper from A08T1 (ground) to A08J2 (switch position 1).
5. Reconnect the ac line cord to apply power to the drive and cycle the drive up to operating status.
6. Perform an off-line oscillating seek with the jumpers as follows:

It is also possible to perform the following adjustments using the RK05-TA Exerciser or simple test programs (Appendix D). For additional information, refer to the *RK05 Exerciser Maintenance Manual*, (DEC-00-HZRKA-A-D).

- a. Connect a jumper from B08H1 (STROBE) to B08N2 (BUS SECTOR PULSE).

- b. Determine the seek length by connecting A08P2 (SECTOR ADDRESS) to the desired points indicated in the following table.

Seek Length	Jumper Connections
2	A08D1
4	A08L1
64	A08E1
100	A08E1, A08J1, A08L1
105	A08E1, A08J1, A08C1, A08K1
202	A08H1, A08E1, A08C1, A08D1
Restore (RTZ)*	A08M1 (RESTORE) to A07T1 (or any available ground) B08H1 (STROBE) to B08M1 (INDEX)

*Connect only the points listed in the table.

7. Unless otherwise indicated, set the oscilloscope controls (Tektronix 453 or equivalent) as follows:

vertical

mode = channel 1
sensitivity = 2 V/div
trigger = channel 1
coupling = dc

sweep

A sweep time = 10ms/div
trigger = normal

trigger

source = externals*
coupling = ac
slope = +

*Connect the scope external trigger input to B05J2 (FWD H).

8. To avoid excessive scope control changes and to keep the probe test point changes to a minimum, perform the following checks and adjustments in the listed sequence.

Sine Amplitude (SA) and Offset (SO)

- a. Perform a 4-cylinder oscillating seek (Step 6).
- b. Observe A05M1 (SIN POSITION) for a scope display similar to that shown in Figure 5-15a. The waveform amplitude must be 10 ± 1 V peak-to-peak and symmetrical about ground.
- c. If necessary, adjust SA (Table 5-4) for the correct amplitude and SO for the ground symmetry.

Velocity Offset (VO)

- a. Perform a 4-cylinder oscillating seek (Step 6).
- b. Observe that the voltage minimums at A05M1 (SIN POSITION) are symmetrical about ground (Figures 5-15a and 5-15b). A small amount of ripple at the minimum voltage levels is normal. To estimate the degree of symmetry, use the average value of the ripple as the voltage minimum.
- c. If necessary, adjust VO (Table 5-4) for the required symmetry.

Cosine Amplitude (CA) and Offset (CO)

- a. Perform a 4-cylinder oscillating seek (Step 6).
- b. Observe A05M1 (COS POSITION) for a scope display as shown in Figure 5-16. The waveform amplitude must be 10 ± 1 V peak-to-peak, and symmetrical about ground.
- c. If necessary, adjust CA (Table 5-4) for the correct amplitude and CO for the ground symmetry.

Velocity Amplitude (VA)

- a. Perform a 2-cylinder oscillating seek (Step 6).
- b. Set the scope sweep time to 1 ms/div.

- c. Observe A05M1 for a scope display as illustrated in Figure 5-17. The duration of the center cycle must equal $3.2 \pm .05$ ms.
- d. If necessary, adjust VA (Table 5-4) for the correct time.

Acceleration (Positioner Current)

- a. Perform a 64-cylinder oscillating seek (Step 6).
- b. Set the scope sweep time to 5 ms/div and the vertical sensitivity to 0.5 V/div.
- c. Observe A05H1 (VELOCITY) for a velocity profile as shown in Figure 5-18.
- d. If necessary, adjust R15 (on H604) for a rise time of $14 \text{ ms} \pm 1 \text{ ms}$.

Full Stroke Profile

- a. Perform a 202-cylinder oscillating seek (Step 6).
- b. Set the scope sweep time to 10 ms/div and the vertical sensitivity to 0.5 V/div.
- c. Observe A05H1 (VELOCITY) for a scope display as illustrated in Figure 5-19. The 0 V level of the profile must be reached in less than 90 ms from the start of the seek. In addition, there must be a definite plateau (constant voltage level) at the end of the seek. If this is not the case, recheck the Velocity Amplitude (VA) and the Acceleration (Positioner Current). Adjust the appropriate potentiometer (Table 5-4) as required to obtain the correct waveform.

Full Stroke Position Waveform

- a. Maintain the same configuration as for the Full Stroke Profile.
- b. Set the scope vertical sensitivity to 2 V/div and observe A05M1 (SIN POSITION) for a scope display as illustrated in Figure 5-20. The waveform amplitudes at the start and end of the seek must be equal within 5%, and the overshoot at the end of the seek must not exceed 1 V. If overshoot is excessive, recheck the Velocity Adjustment (VA) and the Acceleration (Positioner Current).

Outer Limit (dynamic test)

- a. Perform a repetitive restore operation (Step 6).
- b. Trigger the scope from B05K2 (REV H).
- c. Set the scope vertical sensitivity to 1 V/div and observe A05J1 (LIMIT) for a scope display as illustrated in Figure 5-21. The waveform peak amplitude must be 3 to 3.5 V with a minimum level of 0 V. In addition, the voltage plateau immediately following the trailing edge must not

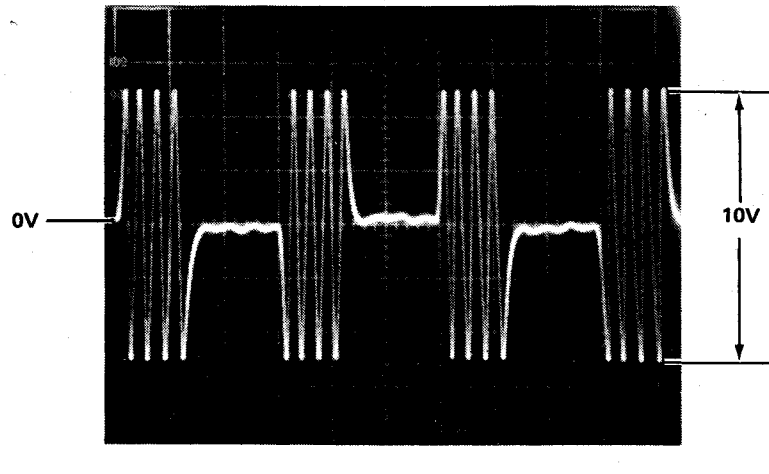
exceed 0.3 V. If not, perform the Static Limit Adjustment procedure (Paragraph 5.4.2.2).

- d. Disconnect the B08H1 (STROBE) jumper to halt the repetitive restore.
- e. Check the INNER LIMIT signal by physically moving the positioner to the inner limit (toward the spindle). If the INNER LIMIT signal is operative, a restore operation will be initiated. If this is not the case, perform the Static Limit Adjustment procedure (Paragraph 5.4.2.2).

**Table 5-4
Servo System Adjustments**

Potentiometer*	Function
CA (Cosine Amplitude)	Sets amplitude of COS POSITION signal.
CO (Cosine Offset)	Adjusts COS POSITION symmetry about ground.
SA (Sine Amplitude)	Sets amplitude of SIN POSITION signal.
SO (Sine Offset)	Adjusts SIN POSITION symmetry about ground.
LSA (Limit Signal Amplitude)	Simultaneously adjusts amplitude of both Limit signals before digitizing.
LSO (Limit Signal Offset)	Sets zero level of Limit signal with positioner in normal recording area of disk.
VA (Velocity Adjustment)	Calibrates velocity generator.
VO (Velocity Offset)	Adjusts velocity generator output at zero velocity. (Provides offset control to position loop.)
CURRENT (on H604)	Sets maximum positioner current (determines acceleration).

*Potentiometers are located on the G938 card (card position 5) of the logic assembly; access is obtained by removing the prefilter. They are listed in the table according to their physical orientation; CA is the topmost potentiometer as viewed from the rear of the drive with the prefilter removed.



a. Correct Waveform (Symmetrical Signal)



b. Incorrect Waveform (Signal not Symmetrical about Ground)

Figure 5-15 Sine Amplitude/Offset and Velocity Offset Waveform

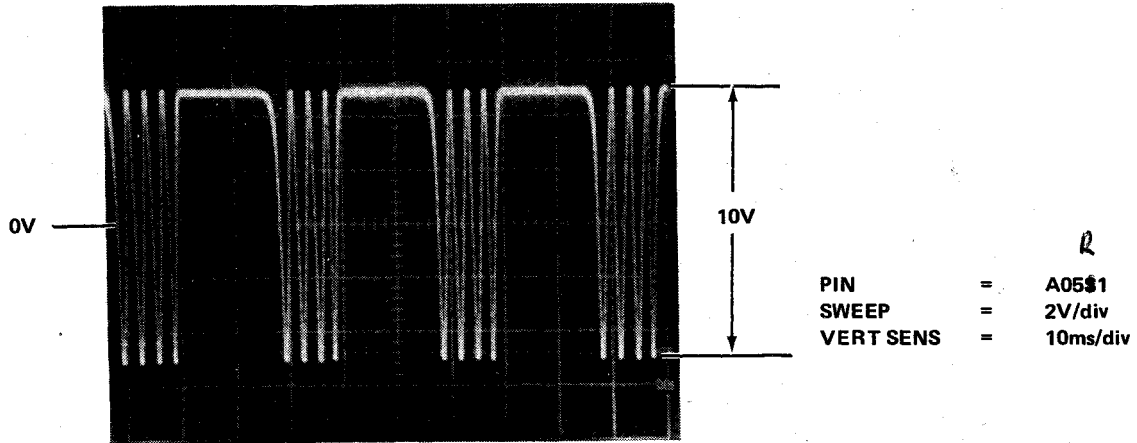


Figure 5-16 Cosine Amplitude/Offset Waveform

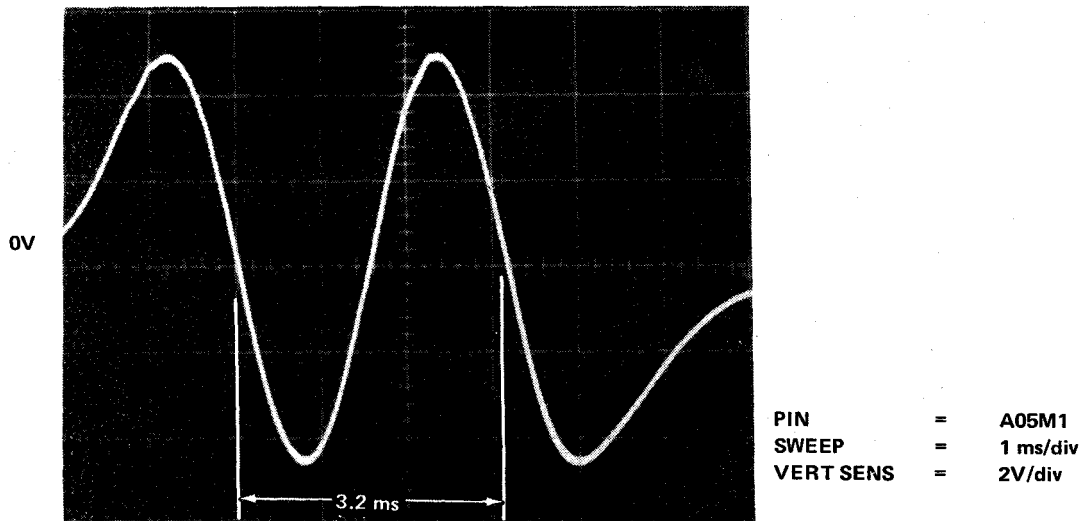


Figure 5-17 Velocity Amplitude Waveform

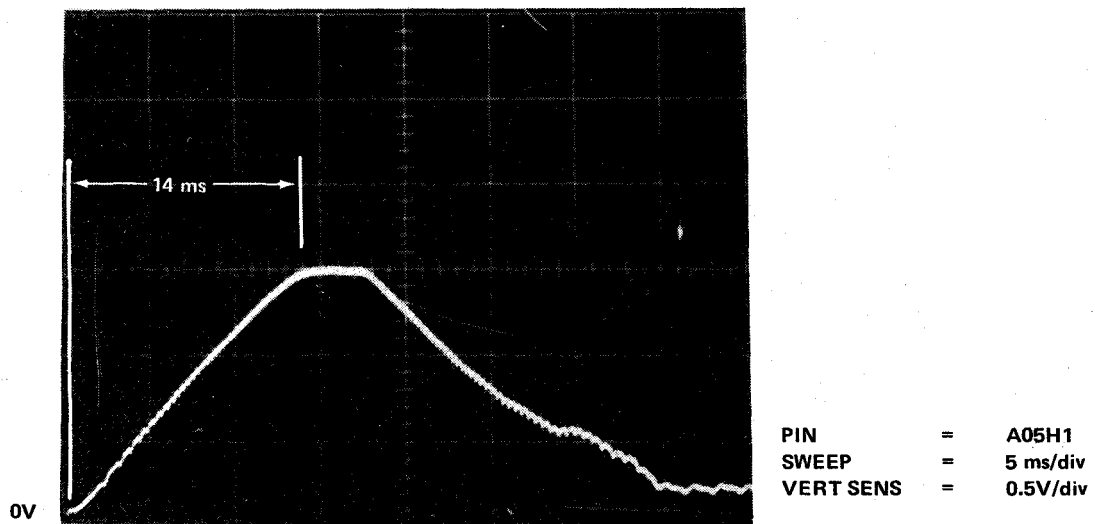


Figure 5-18 Acceleration Waveform

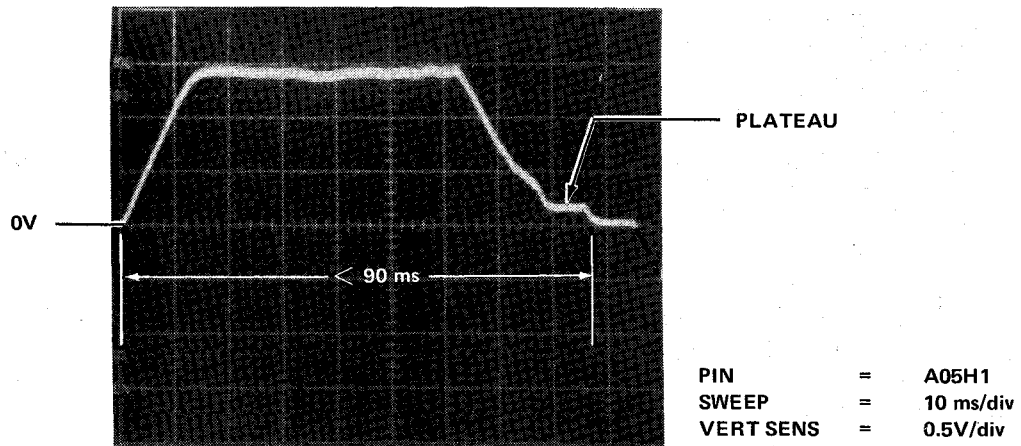


Figure 5-19 Full Stroke Waveform

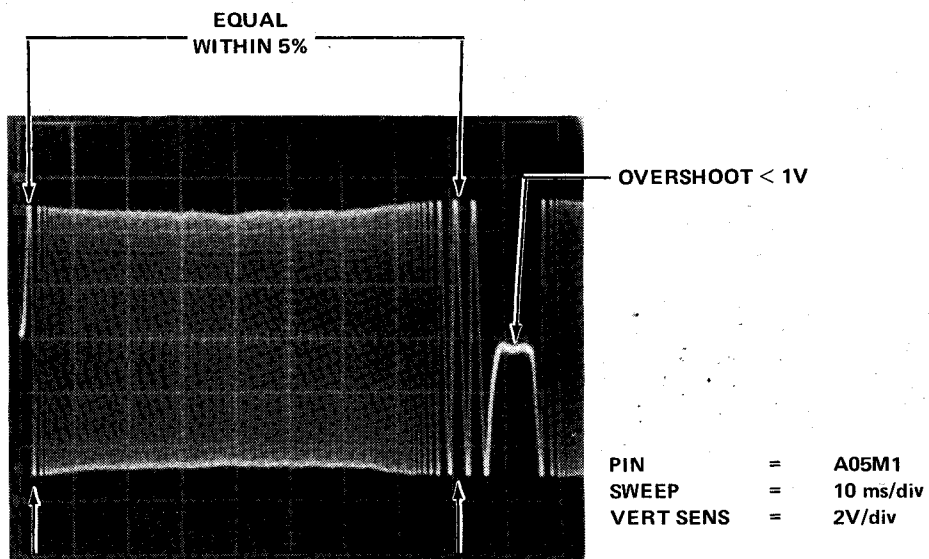


Figure 5-20 Full Stroke Position Waveform

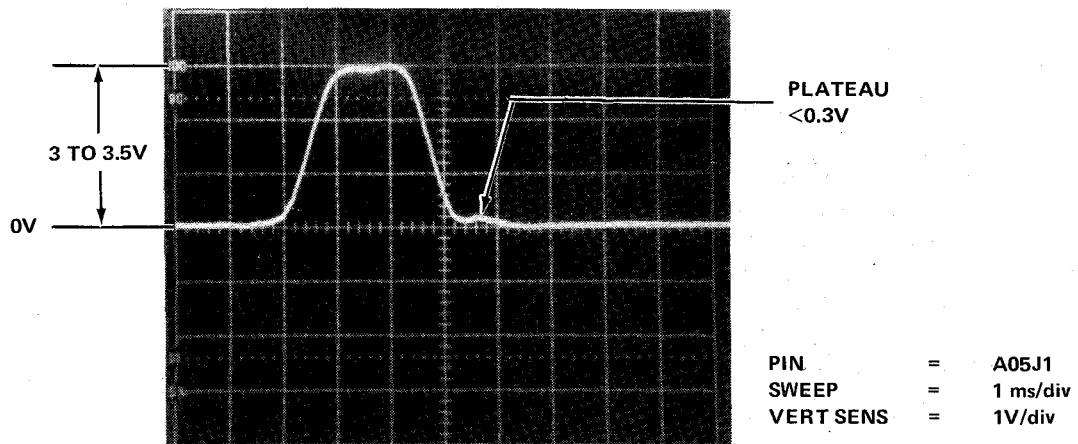


Figure 5-21 Outer Limit Waveform

5.4.2.2 Static Tests and Adjustments – The following procedure should be performed when the positioner or a major servo system component has been replaced. This procedure should also be followed as a diagnostic aid when the positioner system is inoperative or unstable in operation.

To make the required adjustments, remove the disk cartridge from the drive and physically move the positioner carriage back and forth while observing the selected signal. Use the automatic scope sweep and do not attempt to sync the sweep to the observed signal. With a little practice, the most convenient sweep speed setting and the type of positioner motion required will quickly be discovered.

To make static adjustments, the following procedure should be followed:

1. Do not install a disk cartridge in the drive.
2. Place a finger on the positioner carriage assembly and then place switch S1 (Figure 5-3) in the down or OFF position. (This precaution prevents any possible carriage motion caused by transient switch noise.)
3. Make the following checks and adjustments.

Sine Amplitude (SA) and Offset (SO)

- a. Set the scope vertical sensitivity to 2 V/div and adjust the ground reference to the center of the scope screen.
- b. Observe A05M1 (SIN POSITION) while manually moving the positioner back and forth. Adjust SA (Table 5-4) for a 10 V peak-to-peak signal amplitude.
- c. Adjust SO until the signal is symmetrical about ground.

Cosine Amplitude (CA) and Offset (CO)

Observe A05S1 and adjust CA and CO (Table 5-4) in the same manner as that used in the Sine Amplitude and Offset procedure, above.

Limit Signal Amplitude (LSA) and Offset (LSO)

- a. Set the scope vertical sensitivity to 1 V/div and adjust the ground reference to the center of the scope screen.

b. Observe A05J1 with the positioner stationary at approximately the center of travel. Adjust LSO (Table 5-4) for a ground signal at the center of the scope screen.

c. Move the positioner to the inner limit and observe the voltage change on the scope. Similarly, move the positioner to the outer limit and observe the voltage change.

adj. to 3.5v
↓
d. Adjust LSA until the smaller voltage level obtained in Step c, above, is 3.0 V.

e. Return the positioner to the center of travel and readjust LSO for 0 V.

f. Repeat Step c, above, and, if necessary, readjust the smaller voltage level to 3.0 V.

5.4.3 Read/Write Data Separator (G180 Card) Adjustment

Adjustment of the data separator is not part of normal maintenance and is therefore not recommended unless a G180 component that affects the data separator section has been replaced. If this occurs, the width of the data window should be set as follows:

CAUTION

R13 is the write current adjustment potentiometer and cannot be adjusted in the field.

1. Install a prerecorded cartridge in the drive.
2. Place the drive in the run mode and manually position the heads at any recorded cylinder past track zero. An all-zero recording is preferable; however, any recorded pattern is sufficient.

NOTE

To position the heads manually, allow them to load under servo control; then place a finger on the carriage while opening the switch (S1) to preclude the possibility of carriage motion caused by the transient switch noise.

3. Set the oscilloscope controls as follows:

vertical

mode = channel 1
sensitivity = 1 V/div
trigger = channel 1
coupling = dc

sweep

A sweep time = 100 ns/div
trigger = normal

trigger

source = internal
coupling = ac
slope = +

4. Connect the channel 1 scope probe to TP1 of the G180 card (card position 1). It should be possible to obtain solid scope synchronization at the sweep start. (Disregard the unsynchronized pulses that follow.)
5. Adjust R55 fully counterclockwise and R54 fully clockwise.
6. Adjust R54 counterclockwise to obtain a 500 ± 40 ns pulse width as measured from the start of the rise to the start of the fall.
7. Readjust R55 clockwise until the pulse width decreases to 440 ± 10 ns as measured from the start of the rise to the start of the fall.

5.4.4 Read/Write Head Check and Alignment

The following procedure describes the complete read/write head alignment. Before attempting this alignment procedure, ensure that the drive operates correctly and that the heads have not been contaminated by exposure to a defective cartridge. If new heads have been installed, it is recommended that this alignment procedure be performed off-line using backboard jumpers to move the positioner to the alignment cylinder. Off-line alignment is strongly recommended because of the ease of returning to the alignment cylinder whenever the positioner has been physically moved. However, simple maintenance routines or an RK05 Exerciser may also be used to move the positioner.

5.4.4.1 RK05K-AC Alignment Cartridge – The appropriate on-line diagnostics may be used for head alignment; however, *do not adjust a head that has less than a 15% error* (Figure 5-22).

To align or check the heads, proceed as follows:

1. Unplug the drive ac line cord to remove power.
2. Disconnect the drive interface cable card from the logic assembly and install in its place an M930 terminator card.
3. Reconnect the ac line cord to bring the drive up to operating status.
4. Install an alignment cartridge on the spindle and operate the drive in the run mode for *at least 30 minutes*. This must be done to allow the alignment cartridge and the drive components to achieve thermal stabilization.
5. Using the WT PROT switch, place the drive in the write protect condition.
6. Set the oscilloscope controls as follows:

vertical

mode = ADD (invert CHAN 2)
sensitivity = 20 mV/div
coupling = dc

sweep

A sweep time = 500 μ s/div
trigger = normal

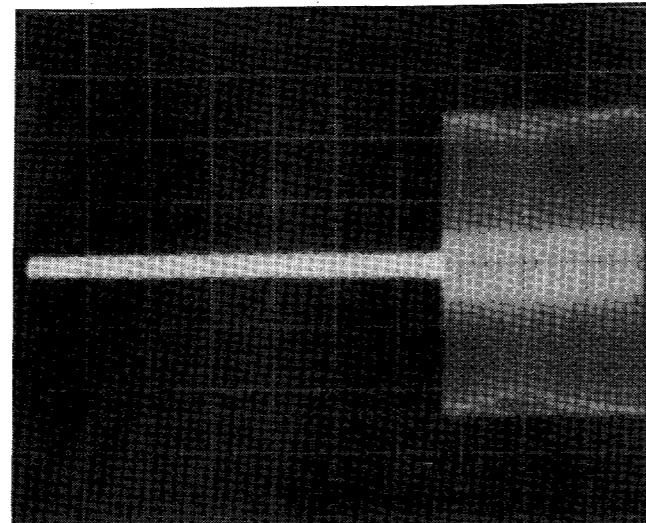
trigger

source = external*
coupling = ac

***Important:** Use a 1:1 probe to connect the scope external trigger input to A02S2 (SECTOR).

7. Connect the channel 1 probe to TP3 and the channel 2 probe to TP4 of the G180 card. (Use 10:1 probes.)

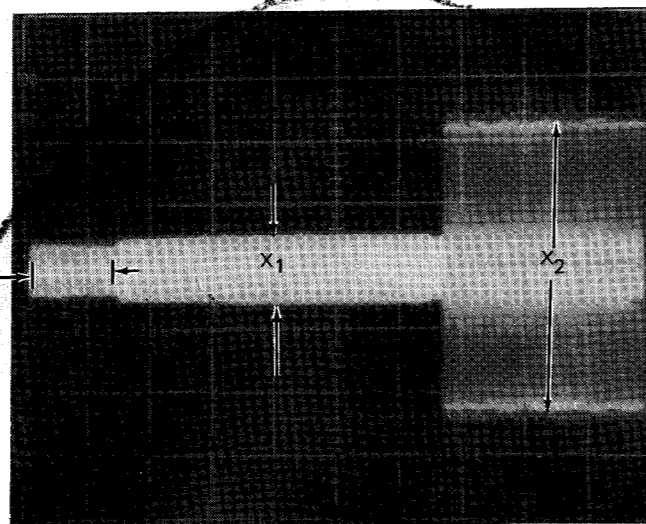
a. Extreme misalignment. Head close to CYL 104. (Further misalignment only reduces amplitude of signal on right side of screen.)



b. Head considerably misaligned. Smaller left amplitude indicates head position less than CYL 105.

error = -72%

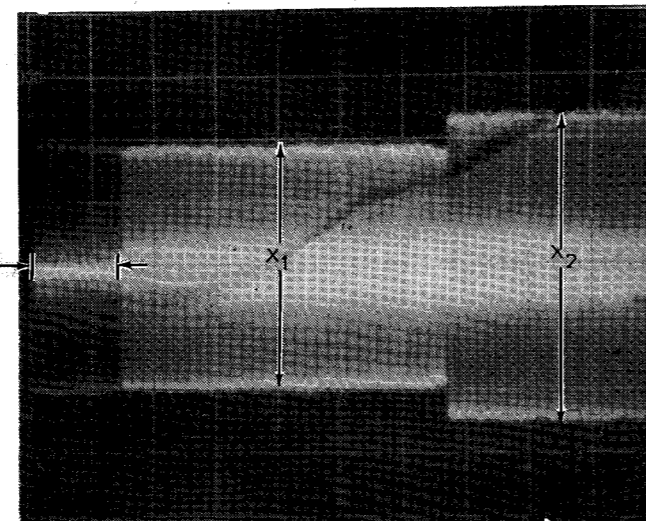
BRIGHT LINE SHOULD APPEAR HERE



c. Head slightly misaligned. Smaller left amplitude indicates head position less than CYL 105.

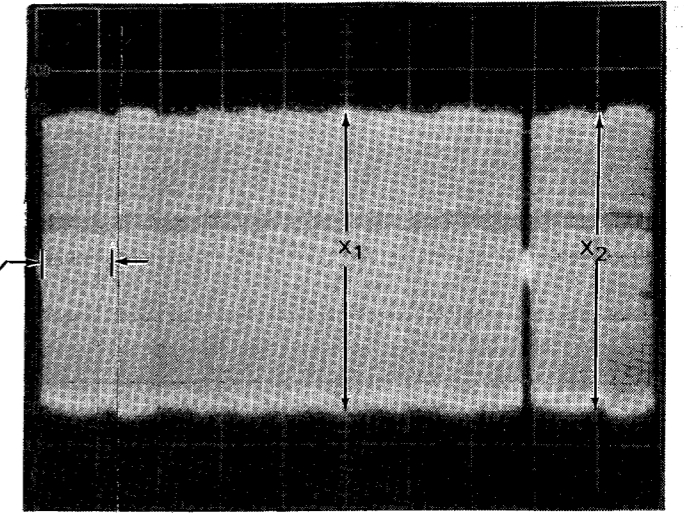
error = -15%

BRIGHT LINE SHOULD APPEAR HERE



d. Head correctly aligned at CYL 105. Amplitudes are equal.

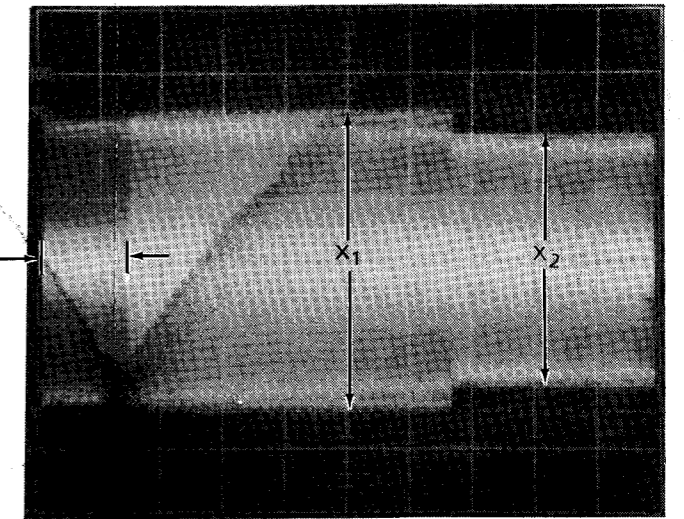
BRIGHT LINE SHOULD APPEAR HERE



e. Head slightly misaligned. Larger left amplitude indicates head position more than CYL 105.

error = +15%

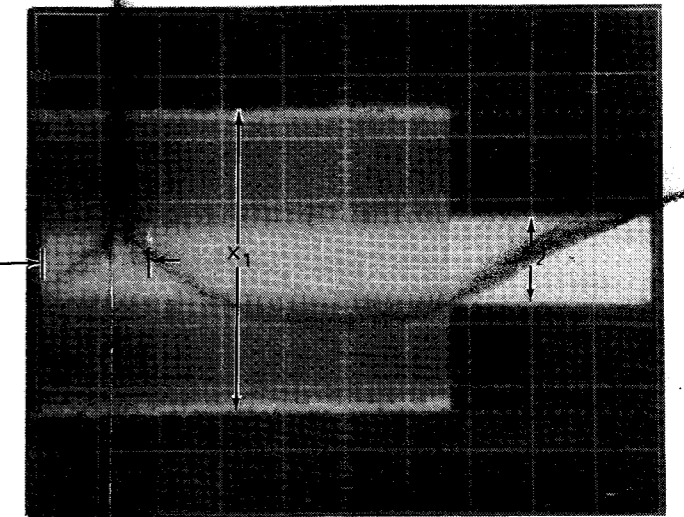
BRIGHT LINE SHOULD APPEAR HERE



f. Head considerably misaligned. Larger left amplitude indicates head position more than CYL 105.

error = +72%

BRIGHT LINE SHOULD APPEAR HERE



g. Ex
CY
red
of

8. Ensure that the positioner track scale indicates cylinder 00. If it does not, loosen and readjust the scale to read 00, ensuring proper scale readout over the entire length of the head. This is done as follows:
 - a. Load the heads.
 - b. Check whether the scale is set at zero; if not, loosen the scale retaining screws (Figure 5-23).
 - c. Adjust the fixed scale horizontally to read zero. Ensure that the calibrated edges of the fixed scale and the vernier scale are parallel and close together without touching. Tighten the scale retaining screws.
 - d. Push S1 (Figure 5-3) down, and move the vernier scale horizontally through its entire range to ensure that the calibrated edges of the two scales do not touch at any point.

9. Select cylinder 105 as follows:

NOTE

It is also possible to perform the following adjustments using the RK05 Exerciser or simple maintenance routines (Appendix D). For additional information, refer to the RK05 Exerciser Maintenance Manual.

- a. Connect backboard jumpers from A07T1, A07C2, B07T1, or any available ground pins to the following points:

A08E1	CYL ADD 6(64)
A08J1	CYL ADD 5(32)
A08K1	CYL ADD 3(8)
A08L1	CYL ADD 0(1)
	105
A04V1	SEL RDY L
- b. Connect a jumper from B08H1 (STROBE) to B08N2 (SECTOR PULSE). The positioner should move to cylinder 105. Confirm this by observing the track scale indicator.

10. Monitor the scope display for one of the waveforms illustrated in Figure 5-22.

NOTE

A bright horizontal line should appear at the beginning (left) of the displayed waveform, as shown in Figures 5-22b through 5-22g. If the line does not appear, adjust the scope level control until it does. This bright line indicates proper positioning of the sectors; odd sectors (X1) on the left, even sectors (X2) on the right.

If none of the illustrated waveforms appear, the head is so badly misaligned that manual manipulation of the positioner is required. If manual manipulation is required, perform the steps that follow; if not, proceed to Step 11.

- a. Place switch S1 (Figure 5-3) in the down, or OFF, position, keeping a finger on the carriage while manipulating the switch to dampen any positioner transients.
- b. Slowly move the positioner by hand until the alignment pattern occurs. Cylinders 85 and 125 have identical patterns, so be sure that the displayed pattern is for cylinder 105. Do not use undue force on the positioner when manually changing track positions.
- c. Observe the track scale and note the cylinder indication when the correct waveform (Figure 5-22d) is obtained. If the scale indicates less than 105, the head is too far forward in the carriage. Conversely, if the scale indicates more than 105, the head is too far back in the carriage.
- d. Loosen the clamp and adjustment screws (Figure 5-22) and move the head in the appropriate direction until the correct waveform (Figure 5-22d) is obtained and the scale indication is slightly greater than 105. Tightening the clamp screw firmly will cause the head to move forward slightly, bringing the scale indication to 105.
- e. Lightly tighten the clamp screw and turn on the positioner power (S1 up).

ce

f. After turning off positioner power, move the positioner fully forward. Turn on positioner power (S1 up) to initiate a restore (RTZ) operation. The positioner will automatically return to cylinder 105 following the RTZ.

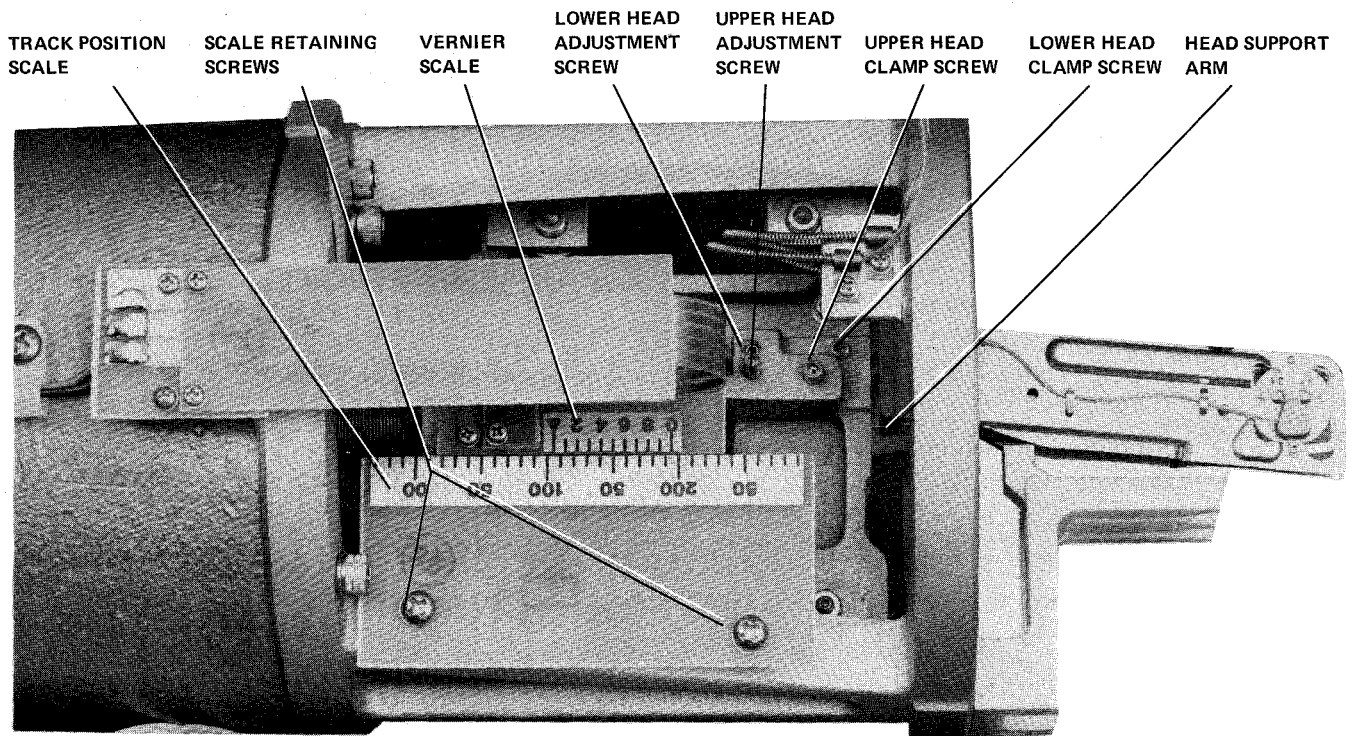
11. If one of the illustrated waveforms is present, note in which direction the head must be moved to obtain the correct indication (Figure 5-22d). If it must be moved backward, loosen the head clamp and adjustment screws and gently push the head all the way back into the carriage; if it must be moved forward, loosen only the clamp screw, and then turn the adjustment screw until the correct waveform is obtained.

The adjustment screw is a vernier that only moves the head forward; it should not be left torqued down after this adjustment.

NOTE

If the positioner is moved from cylinder 105 during the adjustment procedure, turn off positioner power (S1 down) and manually move the positioner fully forward. Then turn on positioner power (S1 up) to initiate a restore (RTZ) operation. The positioner will automatically return to cylinder 105 following the RTZ.

12. Ground B08M2 to select the upper head and repeat the preceding steps.
13. Using a torque wrench (9605893-0-0), if available, tighten the head clamp screw until the wrench begins to ratchet (55 ounce-inches). If a torque wrench is not available, use the appropriate Allen wrench to tighten the head clamp screw snugly; however, do not overtighten.
14. Recheck to ensure that the clamping action did not disturb the head adjustment.



6858-5

Figure 5-23 Read/Write Head Adjustments

5.4.4.2 2315 CE Pack – The appropriate on-line diagnostics may be used for head alignment; however, *do not adjust a head that has less than a 50% error* (Figure 5-24).

To align or check the heads proceed as follows:

1. Unplug the drive ac line cord to remove power.
2. Disconnect the drive interface cable card from the logic assembly and install an M930 terminator card in its place.
3. Reconnect the ac line cord to apply power to the drive and cycle the drive up to operating status.
4. Install a 2315 CE test cartridge on the spindle and operate the drive in the run mode for *at least 30 minutes*. This must be done to allow the CE cartridge and the drive components to achieve thermal stabilization.
5. Using the WT PROT switch, place the drive in the write protect condition.
6. Set the oscilloscope controls as follows:

vertical

mode = ADD (invert CHAN 2)
 sensitivity = 20 mV/div
 coupling = dc

sweep

A sweep time = 10 ms/div
 trigger = normal

trigger

source = external*
 coupling = ac

***Important:** Use a 1:1 probe to connect the scope external trigger input to A02R2 (INDEX).

7. Connect the channel 1 probe to TP3 and the channel 2 probe to TP4 of the G180 card. (Use 10:1 probe.)

8. Ensure that the positioner track scale indicates cylinder 00. If it does not, loosen and readjust the scale to read 00, ensuring proper scale readout over the entire length of the head. This is done as follows:

- a. Load the heads.
- b. Check whether the scale is set at zero; if not, loosen the scale retaining screws (Figure 5-23).
- c. Adjust the fixed scale horizontally to read zero. Ensure that the calibrated edges of the fixed scale and the vernier scale are parallel and close together without touching. Tighten the scale retaining screws.
- d. Push S1 (Figure 5-3) down, and move the vernier scale horizontally through its entire range to ensure that the calibrated edges of the two scales do not touch at any point.

9. Select cylinder 105 as follows:

NOTE

It is also possible to perform the following adjustments using the RK05 Exerciser or simple maintenance routines. For additional information, refer to the RK05 Exerciser Maintenance Manual.

- a. Connect backboard jumpers from A07T1, A07C2, B07T1, or any available ground pins to the following points:

A08E1	CYL ADD 6(64)
A08J1	CYL ADD 5(32)
A08C1	CYL ADD 3(8)
A08K1	CYL ADD 1(1)
	<u>105</u>

A04V1 SEL RDY L

- b. Connect a jumper from B08H1 (STROBE) to B08N2 (SECTOR PULSE). The positioner should move to cylinder 105. Confirm this by observing the track scale indicator.

5.4.4.2 2315 CE Pack — The appropriate on-line diagnostics may be used for head alignment; however, *do not adjust a head that has less than a 50% error* (Figure 5-24).

To align or check the heads proceed as follows:

1. Unplug the drive ac line cord to remove power.
2. Disconnect the drive interface cable card from the logic assembly and install an M930 terminator card in its place.
3. Reconnect the ac line cord to apply power to the drive and cycle the drive up to operating status.
4. Install a 2315 CE test cartridge on the spindle and operate the drive in the run mode for *at least 30 minutes*. This must be done to allow the CE cartridge and the drive components to achieve thermal stabilization.
5. Using the WT PROT switch, place the drive in the write protect condition.
6. Set the oscilloscope controls as follows:

vertical

- mode = ADD (invert CHAN 2)
- sensitivity = 20 mV/div
- coupling = dc

sweep

- A sweep time = 10 ms/div
- trigger = normal

trigger

- source = external*
- coupling = ac

***Important:** Use a 1:1 probe to connect the scope external trigger input to A02R2 (INDEX).

7. Connect the channel 1 probe to TP3 and the channel 2 probe to TP4 of the G180 card. (Use 10:1 probe.)

8. Ensure that the positioner track scale indicates cylinder 00. If it does not, loosen and readjust the scale to read 00, ensuring proper scale readout over the entire length of the head. This is done as follows:
 - a. Load the heads.
 - b. Check whether the scale is set at zero; if not, loosen the scale retaining screws (Figure 5-23).
 - c. Adjust the fixed scale horizontally to read zero. Ensure that the calibrated edges of the fixed scale and the vernier scale are parallel and close together without touching. Tighten the scale retaining screws.
 - d. Push S1 (Figure 5-3) down, and move the vernier scale horizontally through its entire range to ensure that the calibrated edges of the two scales do not touch at any point.
9. Select cylinder 105 as follows:

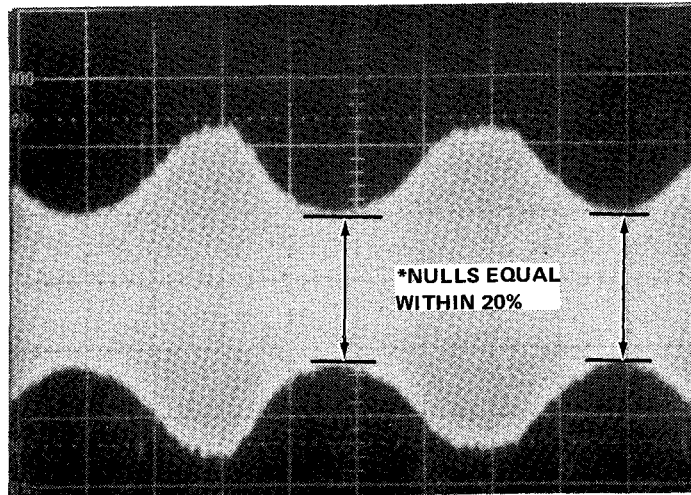
NOTE

It is also possible to perform the following adjustments using the RK05 Exerciser or simple maintenance routines. For additional information, refer to the RK05 Exerciser Maintenance Manual.

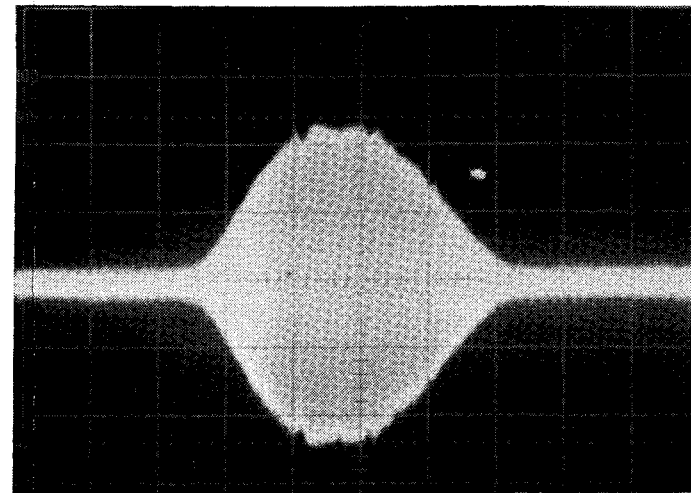
- a. Connect backboard jumpers from A07T1, A07C2, B07T1, or any available ground pins to the following points:

A08E1	CYL ADD 6(64)
A08J1	CYL ADD 5(32)
A08C1	CYL ADD 3(8)
A08K1	CYL ADD 1(1)
	<u>105</u>
A04V1	SEL RDY L
- b. Connect a jumper from B08H1 (STROBE) to B08N2 (SECTOR PULSE). The positioner should move to cylinder 105. Confirm this by observing the track scale indicator.

Head correctly aligned at CYL 105.
Null amplitudes are equal.

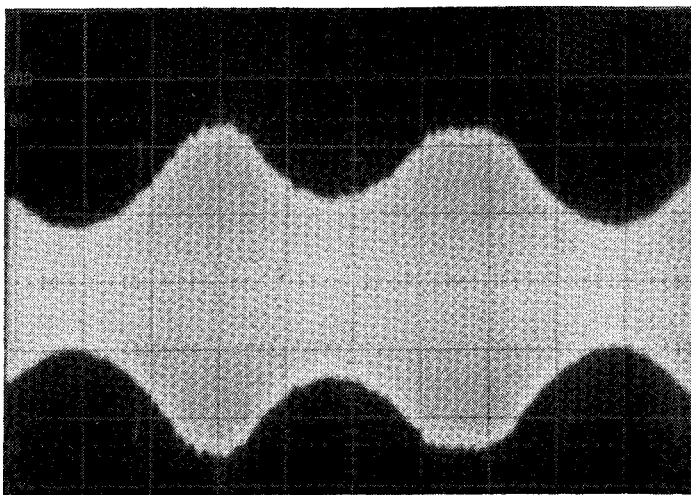


g. Extreme misalignment. Head close to CYL 106. (Further misalignment only reduces amplitude of peak.)



Head slightly misaligned. Larger left null indicates head position more than CYL 105.

error = +26%



To calculate % of error, use the following formula:

$$\% \text{ error} = \frac{x_1 - x_2}{x_1 + x_2} \times 100$$

x_1 and x_2 = null amplitudes. The resultant sign denotes the direction of error; a negative (-) sign indicates that the head is back too far.

Head considerably misaligned. Larger left null indicates head position more than CYL 105.

error = +71%

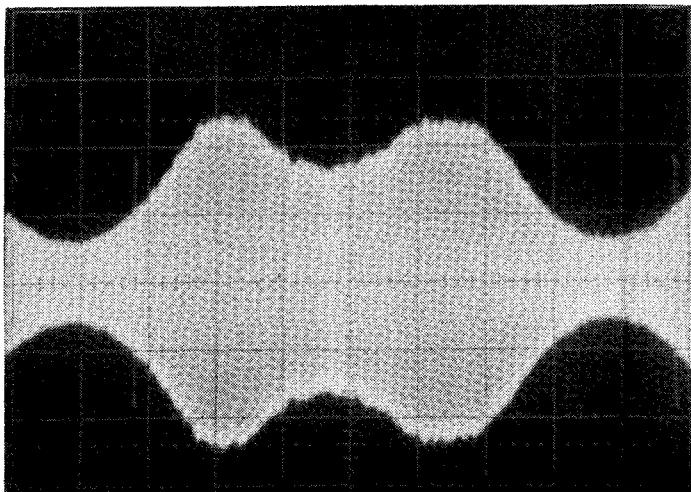


Figure 5-24 2315 CE Pack Head Alignment Waveforms

10. Monitor the scope display for one of the waveforms illustrated in Figure 5-24. If none of the illustrated waveforms appear, the head is misaligned so badly that manual manipulation of the positioner is required. If manual manipulation is required, perform the following steps; if not, proceed to Step 11.
 - a. Place switch S1 (Figure 5-3) in the down, or OFF, position, keeping a finger on the carriage while manipulating the switch to dampen any positioner transients.
 - b. Slowly move the positioner by hand until the alignment pattern occurs. Cylinder 110 has the identical pattern, so be sure that the displayed pattern is for cylinder 105. Do not use undue force on the positioner when manually changing track positions.
 - c. Observe the track scale and note the cylinder indication when the correct waveform (Figure 5-24d) is obtained. If the scale indicates less than 105, the head is too far forward in the carriage. Conversely, if the scale indicates more than 105, the head is too far back in the carriage.
 - d. Loosen the clamp and adjustment screws (Figure 5-23) and move the head in the appropriate direction until the correct waveform (Figure 5-24d) is obtained and the scale indication is slightly greater than 105. Tightening the clamp screw firmly will cause the head to move forward slightly, bringing the scale indication to 105.
 - e. Lightly tighten the clamp screw and turn on the positioner power (S1 up).
 - f. After turning off positioner power, move the positioner fully forward. Turn on positioner power (S1 up) to initiate a restore (RTZ) operation. The positioner will automatically return to cylinder 105 following the RTZ.
11. If one of the illustrated waveforms is present, note in which direction the head must be moved to obtain the correct indication (Figure 5-24d). If it must be moved backward, loosen the head clamp and adjustment screws and gently push the head all the way back into the carriage; if it must be moved forward, loosen only the clamp screw, and then turn the adjustment screw until the correct waveform is obtained. (The adjustment screw is a vernier that only moves the head forward; it should not be left torqued down after this adjustment.)

NOTE

If the positioner is moved from cylinder 105 during the adjustment procedure, turn off positioner power (S1 down) and manually move the positioner fully forward. Then turn on positioner power (S1 up) to initiate a restore (RTZ) operation. The positioner will automatically return to cylinder 105 following the RTZ.

12. Ground B08M2 to select the upper head and repeat the preceding steps.
13. Using a torque wrench (9605893-0-0), if available, tighten the head clamp screw until the wrench begins to ratchet (55 ounce-inches). If a torque wrench is not available, use the appropriate Allen wrench to tighten the head clamp screw snugly; however, do not overtighten.
14. Recheck to ensure that the clamping action did not disturb the head adjustment.

5.4.5 Index/Sector Timing Adjustment

5.4.5.1 RK05K-AC Alignment Cartridge – The procedure for adjusting index/sector timing using the RK05K-AC Alignment Cartridge is as follows:

1. Unplug the drive ac line cord to remove power.
2. Disconnect the drive interface cable card from the electronic module and install an M930 terminator card in its place.
3. Reconnect the ac line cord to bring the drive up to operating status.
4. Install an RK05K-AC Alignment Cartridge on the spindle, ensuring that the mating surfaces are clean; operate the drive in the run mode for *at least 30 minutes*. This must be done to allow the alignment cartridge and the drive components to achieve thermal stabilization.
5. Using the WR PROT switch, place the drive in the write protect condition.
6. Set the oscilloscope controls as follows:

vertical

mode = ADD (invert CHAN 2)

sensitivity = 0.2 V/div

coupling = dc

sweep

A sweep time = 5 ms/div

trigger = normal

trigger

source = external*

coupling = ac

slope = -

***Important:** Use a 1:1 probe to connect the scope external trigger input to A02R2 (INDEX).

7. Connect the channel 1 probe to TP3 and the channel 2 probe to TP4 of the G180 card. (Use 10:1 probes.)

8. Ensure that the positioner track scale indicates cylinder 00 (Paragraph 5.4.4.1, Step 8).
9. Select cylinder 105 with jumpers as follows:

NOTE

It is also possible to perform the following adjustments using the RK05 Exerciser or simple test programs.

- a. Connect backboard jumpers from A07T1, A07C2, or any available ground pins to the following points:

A08E1 CYL ADD 6(64)

A08J1 CYL ADD 5(32)

A08C1 CYL ADD 3(8)

A08K1 CYL ADD 0(1)

A04V1 SEL/RDY L 105

- b. Connect a jumper from B08H1 (STROBE) to B08N2 (BUS SECTOR PULSE). The positioner should move to cylinder 105. Confirm this by observing the track scale indicator.

10. Monitor the scope for a single pulse followed by data beginning 10 μ s following the pulse. This timing pulse may be either positive or negative going. Cylinders 85 and 125 also contain this pulse, and can be used if 105 is unusable.

11. Expand the sweep time to 10 μ s/div and check that the single pulse occurs $70 \pm 10 \mu$ s from the start of the sweep (Figure 5-25).

12. Ground B08M2 to select the upper head and check for the same pulse tolerances as in Step 11, above. If necessary, adjust R6 on the M7700 card (card position 2) until the average time for the two pulses is 70 μ s and the $70 \pm 10 \mu$ s individual pulse requirement is maintained. If these requirements cannot be achieved, perform either of the following corrective actions:

- a. If the time difference of the two timing pulses exceeds 20 μ s, replace one of the heads to reduce the difference. Once the difference is within tolerable limits, readjust R6 to achieve an average 70 μ s between the peaks.

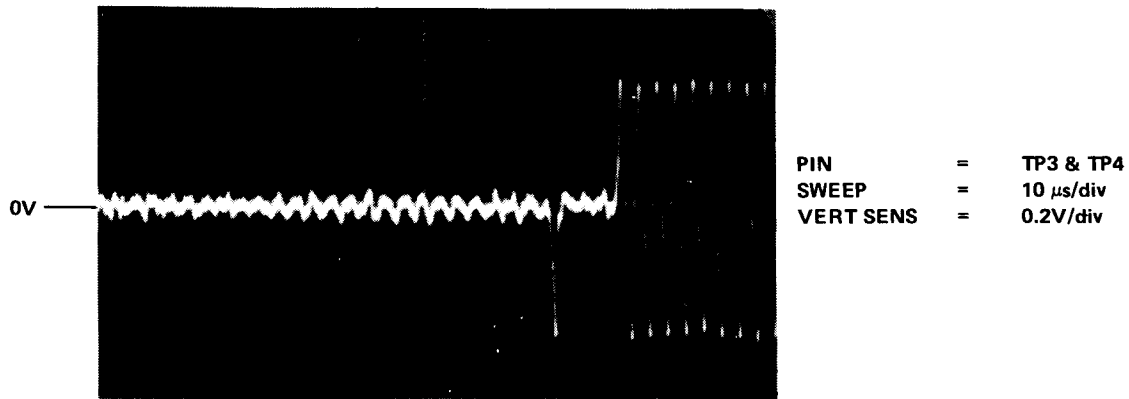


Figure 5-25 Index/Sector Waveform

- b. If the average of the peaks cannot be adjusted to 70 μ s, relocate the sector transducer to the right (if the average is too high) or to the left (if the average is too low). Readjust R6 to achieve an average 70 μ s between peaks.

5.4.5.2 2315 CE Pack – The procedure for adjusting index/sector timing using the 2315 CE Pack is as follows:

1. Unplug the drive ac line cord to remove power.
2. Disconnect the drive interface cable card from the electronic module and install an M930 terminator card in its place.
3. Reconnect the ac line cord to bring the drive up to operating status.
4. Install a 2315 CE test cartridge on the spindle, ensuring that the mating surfaces are clean, and operate the drive in the run mode for *at least 30 minutes*. This must be done to allow the CE cartridge and the drive components to achieve thermal stabilization.
5. Using the WR PROT switch, place the drive in the write protect condition.

6. Set the oscilloscope controls as follows:

vertical

mode = ADD (invert CHAN 2)
 sensitivity = 0.2 V/div
 coupling = dc

sweep

A sweep time = 10 ms/div
 trigger = normal

trigger

source = external*
 coupling = ac
 slope = -

***Important:** Use a 1:1 probe to connect the scope external trigger input to A02R2 (INDEX).

7. Connect the channel 1 probe to TP3 and the channel 2 probe to TP4 of the G180 card. (Use 10:1 probes.)
8. Ensure that the positioner track scale indicates cylinder 00 (Paragraph 5.4.4.2, Step 8).
9. Select cylinder 100 with jumpers as follows:

NOTE

It is also possible to perform the following adjustments using the RK05 Exerciser or simple test programs.

- a. Connect backboard jumpers from A07T1, A07C2, or any available ground pins to the following points:

A08E1 CYL ADD 6(64)

A08J1 CYL ADD 5(32)

A08L1 CYL ADD 2(4)

100

A04V1 SEL/RDY L

- b. Connect a jumper from B08H1 (STROBE) to B08N2 (BUS SECTOR PULSE). The positioner should move to cylinder 100. Confirm this by observing the track scale indicator.
10. Monitor the scope for a single pulse followed by a 1-ms burst of data. This pulse may be of *either* polarity.
11. Expand the sweep time to 10 μ s/div and check that the single pulse occurs 70μ s \pm 10 μ s from the start of the sweep (Figure 5-24). This pulse may be of *either* polarity.
12. Ground B08M2 to select the upper head and check for the same pulse tolerances as Step 11, above. If necessary, adjust R6 on the M7700 card (card position 2) until the average time for the two pulses is 70 μ s and the $70 \pm 10 \mu$ s individual pulse requirement is maintained. If these requirements cannot be achieved, perform either of the following corrective actions:
 - a. If the time difference of the two timing pulses exceeds 20 μ s, replace one of the heads to reduce the difference. Once the difference is within tolerable limits, readjust R6 to achieve an average 70 μ s between the peaks.

- b. If the average of the peaks cannot be adjusted to 70 μ s, relocate the sector transducer to the right (if the average is too high) or to the left (if the average is too low). Readjust R6 to achieve an average 70 μ s between peaks.

5.4.6 Cartridge Receiver Alignment

Prior to shipment of the RK05 Disk Drive, the cartridge receiver is precisely aligned at the factory. Since it is not necessary to disturb the receiver alignment when performing any of the field maintenance procedures, cartridge receiver alignment is not normally required in the field. However, if the duckbill, airduct, or cartridge support posts are replaced, the cartridge receiver alignment must be checked. In addition, the Cartridge-On switch should also be checked for proper operation.

NOTE

The duckbill on later model drives differs slightly from that on earlier models. If an earlier version duckbill should be replaced by a later version, the airduct and cartridge support posts must also be replaced. Refer to the RK05 Illustrated Parts Breakdown (DEC-RK05-IPB-1) to identify which duckbill version is being replaced.

1. Slide the drive out of the rack and remove the top and bottom covers.
2. Insert a cartridge into the receiver and close the drive front door.
3. Check for a .020 to .040-in. clearance (A in Figure 5-26) between the plastic cartridge case and the receiver rails. Perform this measurement toward the rear of the receiver at a point where the plastic cartridge case passes over the intersecting receiver rails.
4. If the (A) clearance is incorrect, loosen the pivot post lock nuts and adjust the height of both posts to obtain the proper clearance. Hold the pivot post at (X) with an adjustable wrench while loosening and tightening the lock nuts (Y).
5. Lightly tighten the pivot post lock nuts and check the following (Figure 5-27):
 - a. Remove the cartridge and ensure that the clearances (B) between the upper receiver rails and the cartridge channel are equal, and that the receiver rails are as parallel as possible to the channel.

- b. Push the receiver all the way to one side and ensure that there is a slight clearance (C) of .010 to .040-in. between the pivot post and the receiver hinge rail. When making this check, do not push the receiver so hard that the pivot posts twist.
 - c. Push the receiver to the left and right, ensuring that the front receiver rail does not touch either side of the chassis.
6. Tighten the pivot post lock nuts and recheck all clearances. There must be clearances at points (A), (B), and (C); however, it is particularly important that clearances (A) and (C) do not exceed the limits indicated in Figures 5-26 and 5-27.
7. Check for the following points of contact between the cartridge and the cartridge receiver, which indicate that the cartridge is properly seated:
- a. Two thin rails (These should either touch evenly or be parallel along the full length of the cartridge.)
 - b. Two cartridge posts
 - c. Access door opener bail
 - d. Spring at top center of cartridge
 - e. Duckbill (lower slot)
 - f. Airduct bridge
 - g. Airduct foam seal.
8. Check for the following points of clearance between the cartridge and the cartridge receiver, which indicate that the cartridge is properly seated:
- a. Two fat rails on top of the cartridge
 - b. Four crosspoints on the underside of the cartridge
 - c. The pivot posts and receiver hinge bail.

The position of the pivot posts determines how the top rails ride on the cartridge and also determines the bottom clearances of the four crosspoints and the underside of the carriage.

One way to check alignment is to insert a cartridge pack at a slightly cocked angle. The receiver should guide the pack onto the posts as the door is closing. If a pack will not seat on the left post, make sure that the top rails of the receiver are not pushing the pack away.

NOTE

Remember that the receiver does not hold, but merely guides the cartridge. The pack is actually positioned by the two cartridge posts and the lower lip of the duckbill. The pack should not rest on, or be tightly squeezed by, the cartridge receiver, but should be able to slide easily.

5.5 SPARE PARTS

Refer to the RK05 Illustrated Parts Breakdown (DEC-RK05-IPB-1) and the H743 Power Supply Illustrated Parts Breakdown (DEC-H743-IPB-1) for parts identification.

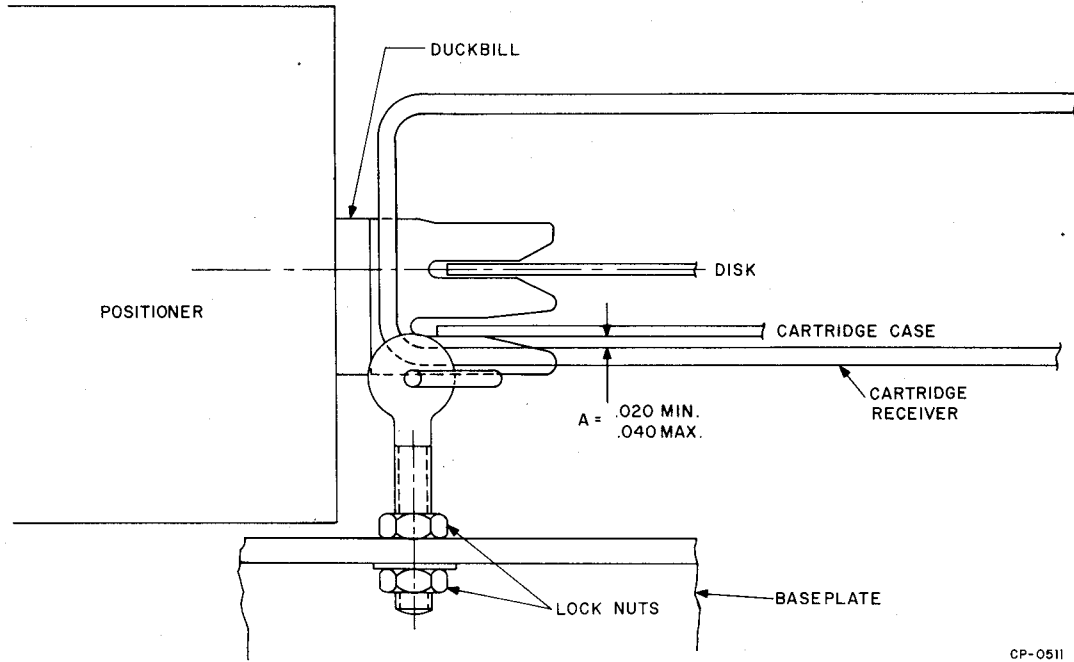
5.6 TROUBLESHOOTING

The information in this paragraph will assist the service technician in isolating a failing drive component. This information is intended only as a guide during trouble analysis, and does not cover all possible malfunctions of any designated area. To eliminate correctly functioning areas of the drive and arrive at an area of failure, perform the checks described in Paragraphs 5.6.1 through 5.6.4. A basic knowledge of electronics, primary understanding of DEC logic, and logical deductive reasoning should then be employed to locate faulty components within the area of failure. Figure 5-28 consists of a quick-reference flow chart illustrating the checks described in detail in the following paragraphs.

Once the malfunction is diagnosed, corrective maintenance should be performed largely through module swapping. The term module includes those modules listed in the UML (Dwg. No. RK05-0-2), in addition to the linear positioner, the +5 Vdc regulator, the ±15 Vdc regulators, and the H604 Servo Power Amplifier. Failures not attributable to these modules must be repaired at the faulty component level. If module replacement cannot be accomplished within a practical time period, repair of the defective modules should be undertaken, with the exception of a defective linear positioner. In all cases, defective linear positioners should be returned to Digital Equipment Corporation, Maynard, Mass.

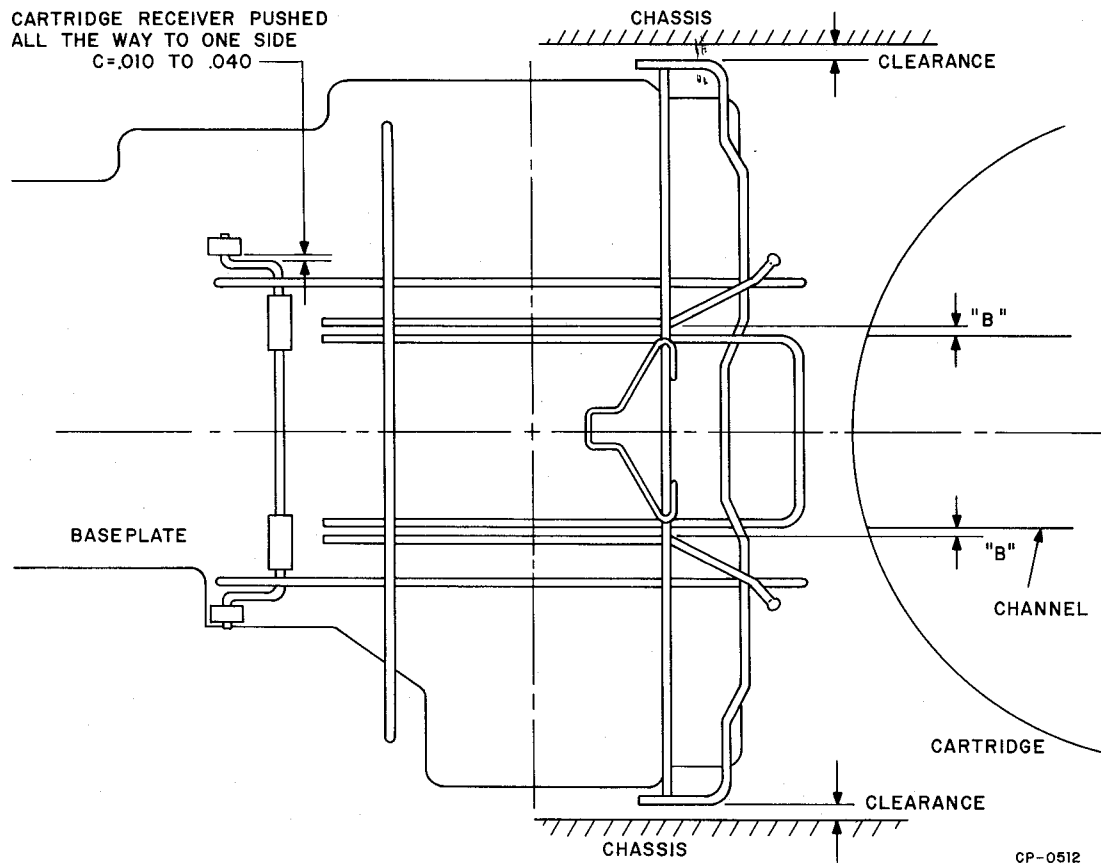
NOTE

The G180 module should not be used on an extender module. Faulty G180s should be replaced in the field, rather than repaired at the faulty component level, if the nature of the fault is such that an extender module would normally be required.



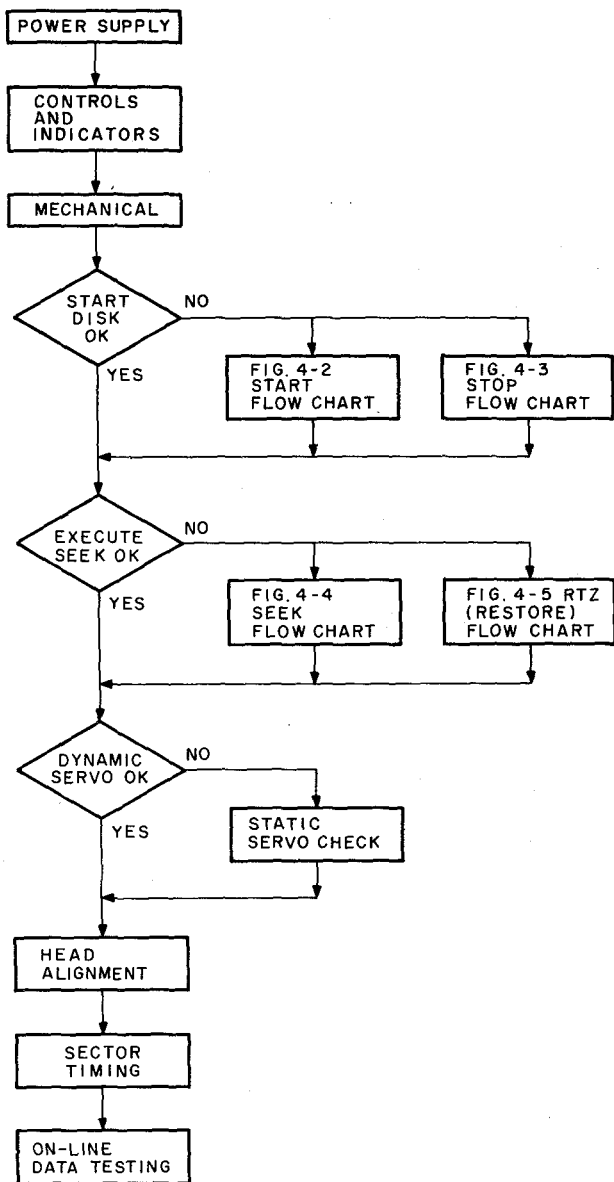
CP-0511

Figure 5-26 Cartridge-to-Receiver Clearance



CP-0512

Figure 5-27 Cartridge Receiver Clearances



CP-0533

Figure 5-28 Troubleshooting Flow Chart

5.6.1 Power Supply

The troubleshooting procedure for the power supply is as follows:

1. Open the rear door of the rack and unplug the drive ac line cord.
2. Extend the drive fully on the slides and remove the top cover.

3. Disconnect P1 (Figure 5-3) from the power supply chassis.
4. Apply power to the drive and check J1 for the following voltages (measured from ground to the center value of the peak-to-peak ripple):
 - a. pin 1 = +15 ±0.75 Vdc 200 mV p-p
 - b. pin 2 = -15 ±0.75 Vdc max. ripple
 - c. pin 3 = +5 ±0.15 Vdc of either regulator.
5. Remove power from the drive and check for shorts between buses.
 - a. AT1, BT1 = GND Max. allowable ripple voltage
 - b. AA2, BA2 = +5 Vdc seen at these pins on the logic assembly
 - c. AD2, BD2 = +15 Vdc is 250 mV p-p.
 - d. AB2, BB2 = -15 Vdc
6. Reconnect P1 and apply power to the drive.
7. Measure the +5, +15, and -15 Vdc at the buses as indicated in Step 5, above. The tolerances should be the same as those in Step 4, above.
8. Check for approximately 30 Vac at A04E1.
9. Remove power from the drive.

5.6.2 Controls and Indicators

The troubleshooting procedure for the controls and indicators is as follows:

1. Check that all modules are present and in their correct locations (Dwg. No. RK05-0-2).
2. Apply power to the drive and check that:
 - a. the PWR and LOAD indicators are lit and that the WT and RD indicators are OFF. (WT and RD can be checked while formatting a cartridge during the diagnostic exercise.)
 - b. the door unlocking solenoid is energized.
 - c. the blower is operating.
3. Press the WT PROT switch and check that the WT PROT indicator lights. (The drive should power-up with WT PROT off.)

5.6.3 Mechanical Checks

The troubleshooting procedure for mechanical checks is as follows:

1. Open the rear door of the rack and unplug the drive ac line cord.
2. Extend the drive fully on the slides, and remove the bottom covers.
3. Tape the door-locking bar (located behind the front bezel) in the down position (Figure 5-29). This permits the drive front door to be opened and shut without power being applied.
4. Install a test cartridge in the drive.

CAUTION

Do not attempt to cycle up the drive with the locking bar disabled.

5. Check the following to ensure that the cartridge is seated properly:
 - a. Ensure that there is a clearance between the lip on the metal disk hub and the sector transducer slot (Figure 5-30).
 - b. The airduct foam seal fits snugly to the bottom of the cartridge case.
 - c. The cartridge case rests securely on the front cartridge support posts. (No gaps between the cartridge case and the support posts shoulders.)
6. Rotate the spindle pulley by hand and check that:
 - a. the disk surface does not touch the duckbill.
 - b. there is no scraping or rubbing sound within the drive.
 - c. the drive belt is not stretched or worn.
7. Remove the tape from the door-locking bar, apply power to the drive, place the RUN/LOAD switch in the RUN position, and check that:
 - a. the PWR indicator is lit.
 - b. the disk is rotating and there is still no rubbing sound from within the drive.

- c. after approximately 8 seconds, the heads load.
 - d. the RDY and ON CYL indicators are lit.
 - e. the door is now locked.
8. Place the RUN/LOAD switch in the LOAD position and check that the door unlocks when the LOAD light comes on.
 9. Remove power from the drive.

5.6.4 Electronic Checks

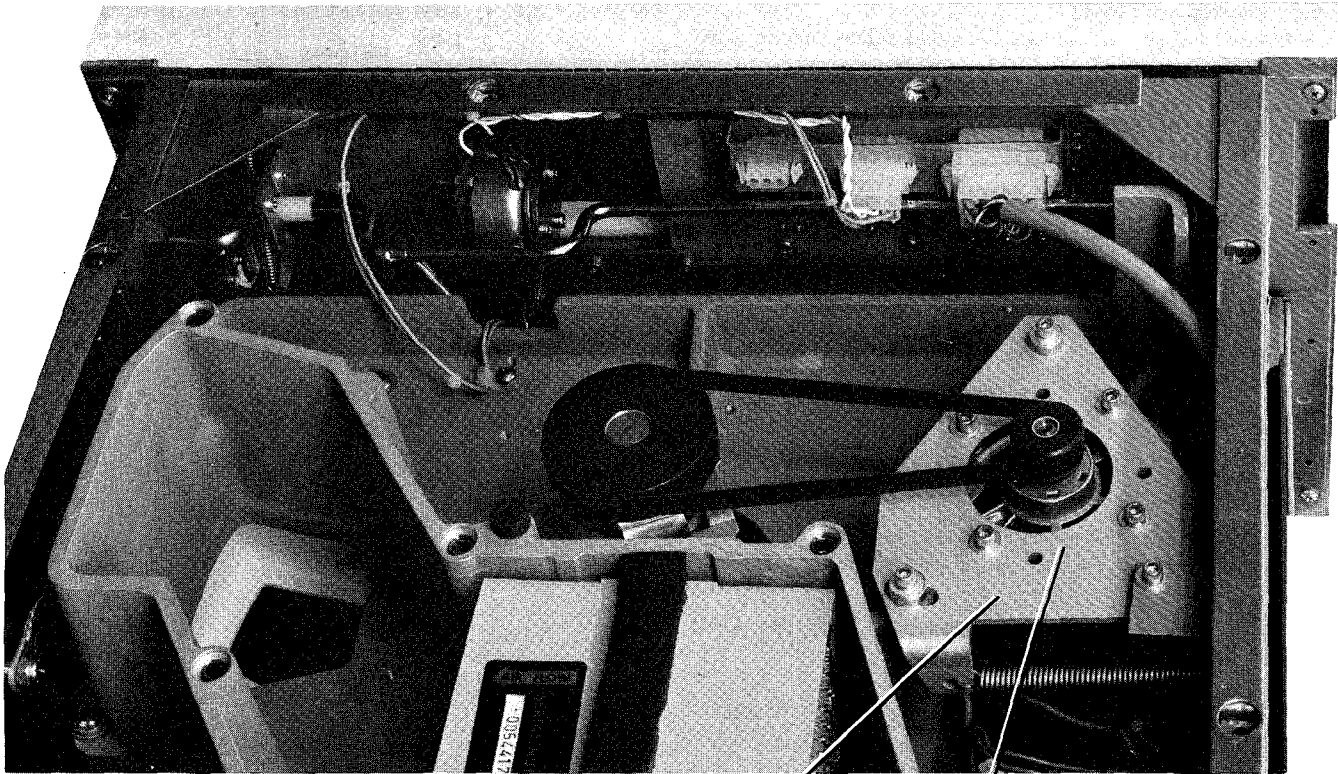
The troubleshooting procedure for electronic checks is as follows:

1. If possible, perform the Dynamic Off-Line Servo System Timing Checks (Paragraph 5.4.2.1). If there is any question about the drive operating well enough to accomplish the dynamic servo timing checks, perform the Static Tests and Adjustments (Paragraph 5.4.2.2).

NOTE

When attempting the preceding checks, if the drive does not start or stop correctly, refer to the Start Flow Chart (Figure 4-2) or the Stop Flow Chart (Figure 4-3) for areas of possible malfunction. If the drive starts properly but does not execute a Seek or Restore command correctly, refer to the Seek Flow Chart (Figure 4-4) or the Restore Flow Chart (Figure 4-5).

2. Verify that the heads are correctly aligned (Paragraph 5.4.4).
3. Check the Index/Sector Timing (Paragraph 5.4.5).
4. Remove all jumpers and configure the drive for normal operation.
5. Ensure that spindle brushes are mating properly and that the ground strap between the chassis and the baseplate is secure; otherwise, random data errors may result.
6. Inspect the logic assembly for bent or shorting pins.
7. Check the power supply voltages.
8. Run the appropriate diagnostic tests to exercise the remaining portions of the drive.



DOOR LOCKING SOLENOID

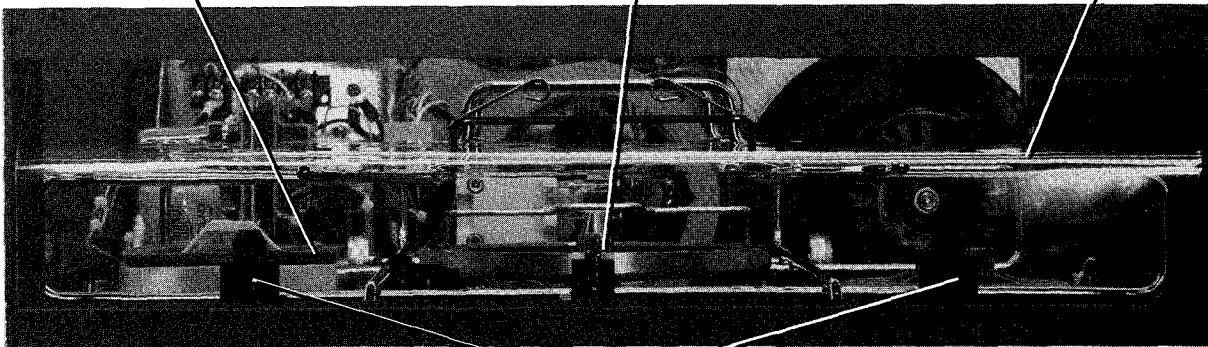
DOOR LOCKING BAR

Figure 5-29 Door Locking Bar Location

AIRDUCT FOAM SEAL

SECTOR TRANSDUCER

DRIVE FRONT DOOR



CARTRIDGE SUPPORT POSTS

Figure 5-30 Cartridge Seating Elements

APPENDIX A

GLOSSARY OF RK05 BACKPLANE CONNECTIONS

+5 Vdc	Logic power for positive 5 volts is available on any AA2 pins or BA2 pins, all of which are bussed together.
+15 Vdc	Logic power for positive 15 volts is available on the first 6 AD2 pins and the first 6 BD2 pins, which are bussed together.
-15 Vdc	Logic power for negative 15 volts is available on the first 6 AB2 pins and the first 6 BB2 pins, which are bussed together.
GND	Ground is available on any AC2, BC2, AT1, or BT1 pins.
+5 Vdc Bulb	Positive 5 volts used in the Linear Encoder Lamp is available on pin B6A1, which is tied to B6A2.
+15 Vdc Control Panel	Positive 15 volts used in the control panel is available on pin A6D1, which is tied to A5D2.
+COS POSITION TP5	A sinusoidal signal will be present at this test point while the carriage is in motion.
+SIN POSITION	A sinusoidal signal developed by the linear transducer while the carriage assembly is in motion. Minimum absolute value, which corresponds to zero degrees, is used by the detent logic to lock the carriage in place at the correct cylinder.
+SIN POSITION TP2	A sinusoidal signal will be present at this test point while the carriage is in motion.
-COS POSITION	An inverted COS POSITION signal available from the linear transducer while the carriage is in motion.
-COS POSITION TP4	A sinusoidal signal will be present at this test point while the carriage is in motion.
-SIN POSITION TP3	A sinusoidal signal will be present at this test point while the carriage is in motion.

ADDRESS ACCEPTED

A signal acknowledging receipt of a valid cylinder address (from the controller - 0-312 octal) which clocks:

1. The octal difference between present and desired cylinders into the Difference Register flops.
2. The Forward and Reverse flops in an attempt to set or reset the appropriate one.

ADDRESS INVALID

A signal which indicates receipt of an invalid (greater than 312 octal) cylinder address.

CLK KILL TP

Grounding this test point will stop the slow clock. (Used on module tester only.)

COUNT PULSE FWD

A signal which, once per cylinder:

1. Increments the current address register during forward carriage motion.
2. Clocks the Forward, Reverse and Difference Register flops when going reverse.

COUNT PULSE REV

A signal which, once per cylinder:

1. Decrements the current address register during reverse carriage motion.
2. Clocks the Forward, Reverse and Difference Register flops when going forward.

CYL 128

A signal that when true indicates a current address greater than 177 octal. The read/write logic will decrease write current when this signal is present.

DIFF (1-16)

Difference Register flops which are:

1. Reset to indicate maximum velocity
2. Set to indicate minimum velocity
3. Clocked once per cylinder to contain the difference between the present and desired cylinders.

DOOR UNLOCKING SOLENOID L

A signal required to electrically unlock the cartridge receiver door. This signal and an accompanying "clank" normally occur about one-half minute after the RUN/LOAD switch has been placed in the LOAD position when the drive has been cycled up.

CAUTION

Do *not* open the door if the "clank" occurred two or three seconds after placing the switch in LOAD. *Severe* damage will occur. However, after the disk has come to a stop, try to determine why the door unlocked prematurely.

BUS AC LO

1. Safety relay K2 is de-energized, or
2. The ac from the power supply is at an incorrect level.

BUS ADDRESS ACCEPTED	A signal sent to the controller acknowledging receipt of a valid cylinder address.
BUS CYL ADD (0-7)	Octally encoded signals from the controller indicating the cylinder to be used.
BUS DC LO	<ol style="list-style-type: none"> 1. Safety relay K2 is de-energized, or 2. The +15 Vdc is at an incorrect level 3. The -15 Vdc is at an incorrect level 4. The +5 Vdc is at an incorrect level.
BUS FILE RDY	<p>A signal indicating that the selected drive:</p> <ol style="list-style-type: none"> 1. Has its heads loaded 2. Has its fault latch reset 3. Has been selected (addressed) by the controller.
BUS INDX PLS	Index pulses (40 ms repetition rate) from the selected drive for the controller.
BUS ADDRESS INVALID	The ADDRESS INVALID signal is used to acknowledge receipt of an invalid (greater than 312 octal) cylinder address.
BUS R/W/S RDY	A signal indicating that the selected drive is positioned at the desired cylinder.
BUS RD CLK	The serial clock and data pulse stream read from the disk is separated on the G180 Read/Write module. The clock signals called "BUS RD CLK L" are used by the controller.
BUS RD DATA	The serial clock and data pulse stream read from the disk is separated on the G180 Read/Write module. The data signals called "BUS RD DATA L" are used by the controller.
BUS RD GATE	A controller signal indicating that read operation is in progress. This signal partially enables a gate to light the READ indicator.
BUS RESTORE	A controller signal used to initiate a carriage restore or RTZ.
BUS RK05	A signal used to indicate to the controller that the selected drive is an RK05 (high density).
BUS RK11-D	A controller signal indicating that an RK11-D controller is attached. This signal causes the select logic to respond to an octally encoded (0-7) drive number. A lack of this signal causes the select logic to respond to a positionally encoded (0-10) number, where each bit corresponds to a different drive.
BUS SEC CNTR (0-3)	These signals are an octally encoded sector count used by the controller.
BUS SEC PLS	Sector pulses from the selected drive for the controller.

BUS SEL DR (FOUR SIGNALS)	Positionally (one bit per drive) or octally encoded (0-2) controller signals used to select a desired drive.
BUS HEAD SELECT L	A controller signal used to select the upper head.
BUS SEEK INCOMPLETE	A signal sent to the controller to indicate that the selected drive: <ol style="list-style-type: none"> 1. Did not complete a seek in 280 ms 2. Detected inner limit.
BUS STROBE	A controller signal used to initiate: <ol style="list-style-type: none"> 1. Motion commands (Seek, Restore) 2. Responses (BUS ADDRESS ACCEPTED, ADDRESS ACCEPTED, BUS ADDRESS INVALID, AND ADDRESS INVALID).
BUS WT CHK	A signal sent to the controller to indicate: <ol style="list-style-type: none"> 1. +15 Vdc is abnormal 2. -15 Vdc is abnormal 3. +5 Vdc is abnormal 4. Fault latch is set 5. The heads are not loaded.
BUS WT DATA & CLK	The serial clock and data pulse stream sent (to the drive by the controller) to be written on the disk.
BUS WT GATE	A controller signal, indicating that write operation is in progress. This signal partially enables gates to: <ol style="list-style-type: none"> 1. Light the WRITE indicator 2. Enable the Write flop 3. Toggle the Write flop.
BUS WT PROT STATUS L	A signal used to indicate to the controller that the selected drive is write protected.
BUS WT PROTECT SET L	A controller signal used to set the Protect flop in the selected drive.

FAULT INDICATOR L

A signal used to light the fault indicator if:

1. +15 Vdc is abnormal
2. -15 Vdc is abnormal
3. +5 Vdc is abnormal
4. The fault latch is set
5. Drive is writing without a WT gate
6. Transducer light (linear encoder) is burnt out.

FORCE UNSAFE TP

A test point which will be high when write or erase current is present. This signal partially enables a gate to set the fault latch.

FWD

A signal set when forward motion is desired. This signal is used by the Position Servo Preamp module to cause forward motion.

GOOD STROBE

A signal derived from BUS STROBE – used to initiate:

1. Motion commands (Seek, Restore)
2. Responses (BUS ADDRESS ACCEPTED, ADDRESS ACCEPTED, BUS ADDRESS INVALID, AND ADDRESS INVALID).

HOME

A signal which *should* be true only when the HOME switch is activated by the carriage in the HOME position.

INDEX PULSES

Pulses occurring at a 40 ms repetition rate when a drive has a cartridge inserted and its spindle motor turning at the correct speed.

INDEX/SECTOR

Combination of index and sector pulses.

INNER LIMIT

A signal caused by electronically sensing inner limit. This signal causes:

1. RTZ (restore) to be set
2. Fault latch to be set.

INNER LIMIT H TP11

A test point that will be high while inner limit is being sensed.

INTERLOCK L

A signal indicating that a path exists through the cartridge seated and the door locked switches to ground; i.e., the interlocks are closed, permitting normal drive operation.

CHASSIS LIMIT

A tri-level signal from the linear transducer to indicate general carriage positioning.

1. Positive (5 mV) = outer limit
2. Negative (5 mV) = inner limit
3. Ground = somewhere in between.

LOAD HEADS L

This signal indicates a "Safe to Allow Heads to Become or Remain Loaded". It partially enables a gate to set the Forward and reset the Reverse flops. A lack of this signal will:

1. Set the Difference Register flops
2. Force Reverse true until home is sensed
3. Reset the start delay counter.

LOAD HEADS H

This signal indicates a "Safe to Allow Heads to Become or Remain Loaded". It is sampled by the Move flop once after each occurrence of both Forward and Reverse going false.

LOAD INDICATOR L

A signal that lights the LOAD INDICATOR light. It accompanies the electronic unlocking of the cartridge receiver door. This signal and an accompanying "clank" normally occur about one-half minute after the RUN/LOAD switch has been placed in the LOAD position when the drive has been cycled up.

CAUTION

Do not open the door if the "clank" occurred two or three seconds after placing the switch in LOAD. Severe damage will occur.

LOAD SW

Resets the run latch.

MOVE

A signal indicating the presence of either Forward or Reverse.

ON

A signal indicating the presence of +5 Vdc on the index and sector module. A lack of it will force an immediate reset of the Forward flop.

OUTER LIMIT

A signal caused by electronically sensing outer limit. This signal causes:

1. A gate to reset Reverse and set the Forward flop if the heads are loaded
2. Restore flop to be set
3. Outer limit extend latch to be set
4. Address registers to be held cleared.

A lack of outer limit will:

1. Partially enable a gate to reset the outer limit extend latch
2. Enables a gate to set the fault latch if home is sensed.

OUTER LIMIT H TP10

A test point that will be high while outer limit is being sensed.

PROTECT H

A flop set to indicate that the drive is write-protected.

PWR AMP DR

An analog signal generated on the Position Servo Preamp module. It is used as the input to the Servo Position Power Amp to control direction and velocity of carriage motion.

PWR SEC XDUCER	Power for the sector transducer provided by the index and sector module.
R/W/S RDY L	A signal indicating no carriage motion desired (Forward and Reverse false) which: <ol style="list-style-type: none"> 1. Resets the seek incomplete counter 2. Partially enables a gate to allow the Write flop to toggle.
R/W/S RDY H	A signal indicating no carriage motion desired (Forward and Reverse false) which: <ol style="list-style-type: none"> 1. Resets the strobe delay (unless RTZ becomes true) 2. Partially enables a gate to cause BUS R/W/S RDY 3. Partially enables a gate to cause the SEEK DONE indicator to light 4. Partially enables a gate to reset the outer limit extend latch.
READ INDICATOR L	This signal is true to light the READ indicator while the selected drive is in read operation.
READY	This signal indicates that the heads are loaded and the drive is ready.
READY INDICATOR L	This signal lights the READY indicator as long as the READY flop is set.
RESTORE	A signal derived from BUS RESTORE that: <ol style="list-style-type: none"> 1. Partially enables a gate to reset the fault latch 2. Conditions the RTZ flop.
REV	A signal set when reverse motion is desired. This signal is used by the Position Servo Preamp module to cause reverse motion.
RTZ	A signal that: <ol style="list-style-type: none"> 1. Clears the address registers 2. Sets the Reverse flop.
RUN SW	Sets the run latch.
SAFETY RELAY L	This signal energizes the safety relay when the logic voltages are OK. However, the diode used to minimize the effect of inductive kick can provide a path to energize the relay. It is via the power indicator in the control panel. The cause would be an open in the +15 Vdc line from J1 of the H743 Power Supply and A1D2 of the logic backpanel.
SECTOR PULSES	Pulses occurring at a 3.3 ms repetition rate when a drive has a cartridge inserted and its spindle motor turning.
SECTOR/INDEX RAW L	Pulses produced by the sector transducer while the cartridge is spinning.

SEEK DONE INDICATOR L

A signal used to light the ON CYLINDER light when:

1. The READY flop is set (heads loaded)
2. There is no carriage motion desired (Forward and Reverse false).

SELECT

A signal indicating that "this" drive has been selected for use by the controller which:

1. Indicates (via BUS RK05/HIGH DENSITY L) that a high density drive is responding.
2. Partially enables some response gates (BUS FILE READY L, BUS WT CHK L, BUS WT PROT STATUS L).

SELECT/READY

A signal indicating that the selected drive has its heads loaded and fault latch reset, which partially enables gates to:

1. Toggle the Write flop
2. Enable the strobe delay logic
3. Produce responses – BUS RD DATA L, BUS RD CLK L, BUS SEC CNTR (0-3) L, BUS R/W/S RDY L, BUS SEEK INCOMPLETE L.

SELECT/WRITE PROTECT SET

A signal derived from the controller's BUS WT PROTECT which sets the Protect flop.

SELECTED READ GATE

A signal derived from SELECT/READY and BUS RD GATE to partially enable BUS RD DATA L and BUS RD CLK L. This signal causes READ INDICATOR L, which lights the READ indicator during read operation.

SELECTED WT GATE

This signal partially enables gates to:

1. Toggle the Write flop
2. Produce WRITE INDICATOR L which lights the WRITE indicator during write operation.

SET UNSAFE

A signal indicating unsafe operation (write or erase current but no BUS WT gate) that sets the fault latch.

SPINDLE MOTOR RELAY L

This signal energizes the spindle motor relay when the spindle motor latch is set. However, the diode used to minimize the effect of inductive kick can provide a path to energize the relay. It is via the power indicator in the control panel. The cause would be an open in the +15 Vdc line from J1 of the H743 Power Supply and A1D2 of the logic backpanel.

TP1

This test point on the Position Servo Preamp module can be used to monitor the analog velocity generator output.

TP6

This test point on the Position Servo Preamp module can be used to monitor the lagging square wave signals derived from SIN POSITION and inverted (-) COS POSITION signals.

TP7

This test point on the Position Servo Preamp module can be used to monitor the leading square wave signals derived from SIN POSITION and COS POSITION signals.

TP9

This test point on the Position Servo Preamp module can be used to monitor the DETENT signal (sum of SIN POSITION and velocity).

TP12

This test point on the Position Servo Preamp module can be used to monitor the inverted analog velocity generator output (used for forward motion).

UNSAFE

A signal used to deselect both heads if:

1. +15 Vdc is abnormal
2. -15 Vdc is abnormal
3. +5 Vdc is abnormal
4. Fault latch is set
5. The heads are unloaded.

VELOCITY TP8

This analog signal is the output of the electronic (no mechanical measuring) tachometer. The test point is on the Position Servo Preamp module.

WRITE INDICATOR L

This signal is true to light the WRITE indicator while the selected drive is in write operation.

WRITE PROTECT INDICATOR L

A signal used to light the PROTECT indicator while the PROTECT flop is set.

WRITE SW ON L

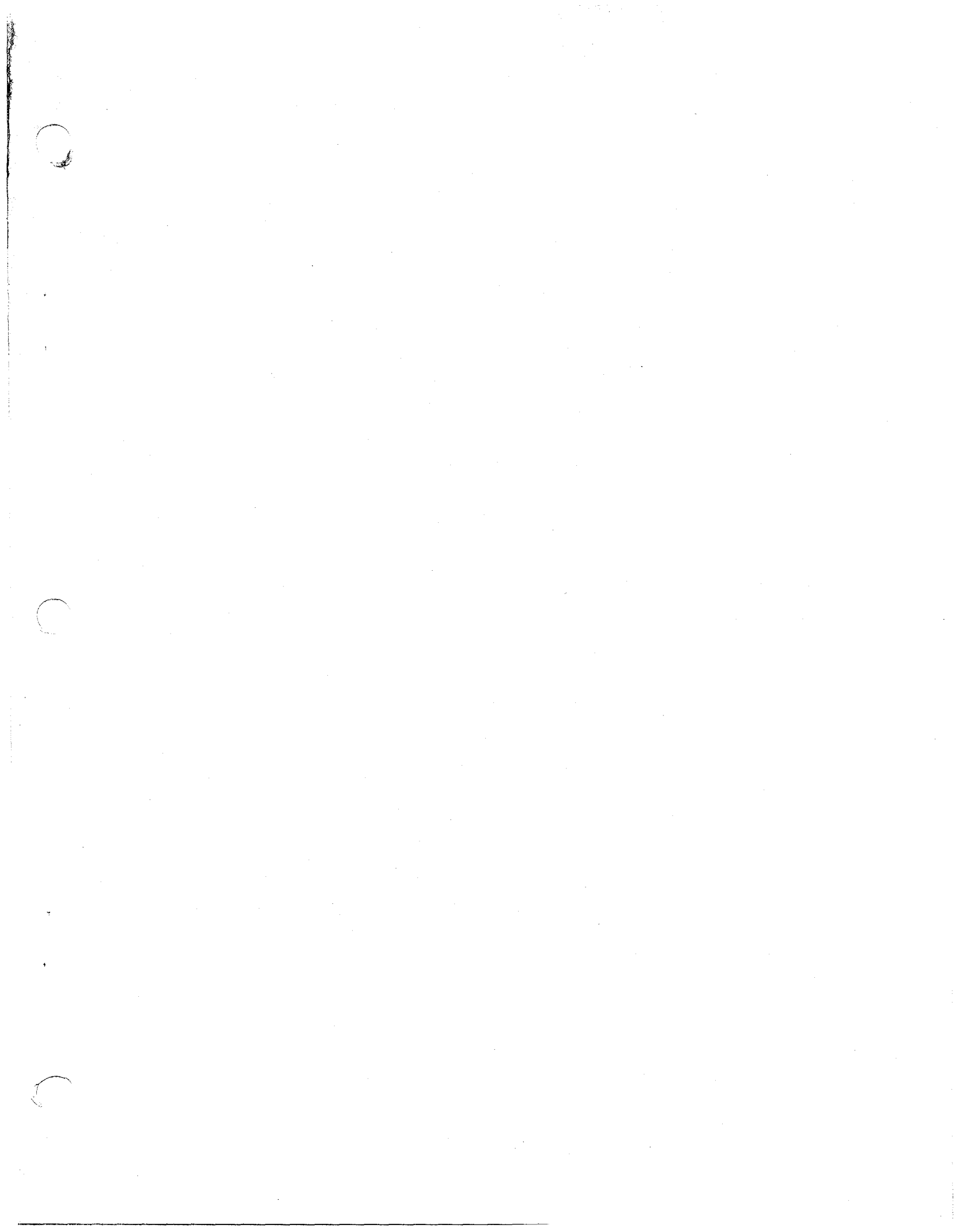
N/O contact of the control panel write protect switch which will be true only while the switch is held depressed. It will:

1. Set the protect toggle latch
2. Toggle the Protect flop
3. Reset the fault latch.

WRITE SW OFF L

N/C contact of the control panel write protect switch which will be true only while the switch is *not* being depressed. It will:

1. Reset the protect toggle latch
2. Partially enable the fault latch.



APPENDIX B

RK8E/RK05 MAINTENANCE PROGRAM

The following program may be used in place of the jumper method or tester method while performing RK05 maintenance.

B.1 OSCILLATE (0 ↔ Desired Address)

BGN,	7000	7301	/ CLA, CLL, IAC
	1	6742	/ DCLR
	2	1240	/ TAD DRIVE
	3	1236	/ TAD SEEK
	4	6746	/ DLDC
	5	6743	/ DLAG
	6	6741	/ DSKP
	7	5206	/ JMP-1
	7010	4227	/ JMS FLAG
	11	7604	/ LAS (Load from SR 0 → 8 = cyl, 9 = surface)
	12	7006	/ RTL
	13	3241	/ DCA SW
	14	7430	/ SZL
	15	7001	/ IAC
	16	1240	/ TAD DRIVE
	17	1236	/ TAD SEEK
	7020	6746	/ DLDC
	21	1241	/ TAD SW
	22	6743	/ DLAG
	23	6741	/ DSKP
	24	5223	/ JMP-1
	25	4227	/ JMS FLAG
	26	5200	/ JMP BGN
FLAG,	7027	0000	/ 0000
	7030	1237	/ TAD K0200
	31	1240	/ TAD DRIVE
	32	6746	/ DLDC
	33	6741	/ DSKP
	34	5233	/ JMP-1
	35	5627	/ JMP 1 FLAG
SEEK	7036	3200	/ SEEK, set transfer done when complete
K0200	7037	0200	/ Set transfer done constant
DRIVE	7040	(Set for Drive)	/ Bit 9 & 10
SW	7041	(Address Stored)	/ 0 → 8 = cyl, 9 = surface

B.2 PROGRAM OPERATION

1. Load address 7000.
2. Set SWITCH REGISTER to desired binary cylinder address in bits 0–8; desired surface in bit 9.
3. Press the CLEAR then the CONT switches.

B.3 TO HALT AT A DESIRED LOCATION

1. Change location 7026 from 5200 to 7402.
2. Perform program operation, Paragraph B.2.

APPENDIX C

RK05/RK11 OSCILLATING SEEK PROGRAM

C.1 OSCILLATE (0 ↔ Desired Address)

```

1000 012706  START:  MOV#4000,R6      ; SET STACK TO 4000
1002 004000
1004 013700          MOV@#SWR,R0      ; MOVE CONTENTS OF SWITCH REGISTER TO R0
1006 177570
1010 012701          MOV#SUB,R1      ; MOVE SUBROUTINE'S ADDRESS TO R1
1012 001030
1014 000300          SWAB R0         ; SWAP BYTES IN R0
1016 004511          JSR R5,SUB      ; GO TO SUBROUTINE
1020 013700          MOV@#SWR,R0      ; MOVE CONTENTS OF SWITCH REGISTER TO R0
1022 177570
1024 004511          JSR R5,SUB      ; GO TO SUBROUTINE
1026 000764          BR START        ; BRANCH TO START
1030 000241  SUB:    CLC             ; CLEAR THE CARRY BIT
1032 042700          BIC#377,R0      ; CLEAR LOW BYTE OF R0
1034 000377
1036 006000          ROR R0         ; THE 3 ROTATES MOVE THE CONTENTS
1040 006000          ROR R0         ; OF R0 INTO THE RKDA CYLINDER
1042 006000          ROR R0         ; ADDRESS POSITIONS
1044 062700          ADD#DR,R0      ; ADD THE DESIRED DRIVE NUMBER TO
1046 xx0000          ; THE CYLINDER ADDRESS IN R0
1050 010037          MOV R0, @#RKDA    ; MOVE R0 TO RKDA
1052 177412
1054 105737  CRDY:   TST B@#RKCS    ; WAIT FOR CONTROL READY (BIT 7)
1056 177404
1060 100375          BPL CRDY
1062 032737  DRRDY:  BIT#100,@#RKDS  ; WAIT FOR R/W/S READY (BIT 6)
1064 000100
1066 177400
1070 001774          BEQ DRRDY
1072 000240          NOP
1074 000240          NOP
                                ; PLACE FOR JUMP COMMAND TO
                                ; ADDITIONAL CODE SUCH AS ERROR
                                ; HANDLING
1076 012737          MOV#11,@#RKCS    ; MOVE SEEK (#11) OR DRIVE RESET (#15)
1100 000011          ; TO RK11
1102 177404
1104 000205          RTS R5         ; RETURN FROM SUBROUTINE

```

C.2 PROGRAM OPERATION

1. Toggle program starting at location 1000.
2. Toggle disk address bits (15-13) into location 1046. (Include surface bit 4 if an RK11-D is being used.)
3. If error checking or other changes are to be added, change NOPs in location 1072 and 1074 to jump to (ADDITIONAL) code address. Jump back to location 1176 at the end of added code.
4. Load address 1000; start.
5. Set desired cylinder addresses (0-312₈) into the left and right bytes of the switch register.
6. Leave zeroes in the left switch register byte while setting up the G938 card. Decimal 2, 4, 64 and 202 cylinder seeks may then be accomplished by setting octal 2, 4, 100, and 312 in the right switch register byte.

CAUTION

Exceeding octal 312 in either byte will require a program restart unless error code has been added.
See number 3, above.

7. Setting the same cylinder address in both bytes will result in one seek to that address.
8. This program may be modified using the CORE and MOD commands of the UPDATE program. UPDATE may also be used to output the modified version of any program to DECTape, DECpack or DEC paper tape.
9. Repetitive restores may be accomplished by changing the ELEVEN in location 1100 to a FIFTEEN.
10. When using this program to align heads and/or sector timing, jumper B08M2 (BUS HEAD SELECT L) to any convenient ground to select the upper head. Removing the ground will constantly select the lower head *only* if the Oscillating seek program is halted, unless an RK11-D controller is being used and bit 4 (surface select bit) of the RKDA is asserted.
11. The jumper is not required with the RK11-D. Simply change the "disk address" location 1046 to reflect the surface select bit desired.

APPENDIX D

THE RK05-TA OFF-LINE TESTER

D.1 MOVE FUNCTIONS

1. STEP -- incrementing cylinder seek to limit and a high speed return.
2. ALT (Alternate) -- an incrementing seek from the cylinder address selected.
3. OSC -- oscillate between 0 and the cylinder address selected (not affected by FOR/REV).
4. RAND -- random cylinder seek.
5. Drive Selector -- selects the drive number selected on the M7700 module in the RK05.
6. RUN -- enables all move functions.
7. RTZ -- forces a zero recalibrate.
8. FOR/REV -- selects the initial drive motion in step and alternate.
9. Cylinder Address -- selects any cylinder address from 0 to 202_{10} .

INDICATORS

1. Address invalid -- cylinder address set up to an illegal address; i.e., > 202 .
2. Seek incomplete -- excess time to perform the seek.
3. Power on -- indicates power is applied to the drive.

D.2 WRITE FUNCTIONS

1. *Write sector – selects a sector (from sectors 0 through 9 only) to write on and simulates a write data. “All” simulates a write all. Note: the unit cannot read to check headers.
2. Head select – selects or enables either the upper or lower head. Only one head can be selected at a time; thus only one surface is written on.
3. *Write button causes a write one-shot to write or erase on the sector selected (or the track, if “All” is selected).
4. *Constant write – when set, writes continuously on the sector selected; the write button need not be pressed.
5. *DC erase – when ON, enables erase on a sector (or sectors) when the WRITE button is pressed; when OFF, enables writing on a sector (sectors) when the WRITE button is pressed.
6. Data bits – sets a 4-bit data pattern to be written on the sector selected.

*After the RK05-T has been used to perform write or erase operations, the disk will have to be reformatted.

D.3 CONNECTING THE RK05-T OFF-LINE TESTER

1. Disconnect the ac line cord.
 - a. Remove the interface cable from the RK05.
 - b. Check the RK05 and the tester to ensure that a M930 Terminator module is present in one of them (slot 7 or 8 of the RK05, or slot 2 of the RK05-TA Off-Line Tester).
 - c. Connect a BC11-A cable from slot 1 or 2 of the tester to slot 7 or 8 in the RK05.
 - d. Disconnect connector J1 in the RK05 (logic voltage connector).
 - e. Plug one end of the tester power cable into the tester.
 - f. Check for proper keying of the pins and plug the male connector of the power cable into the female connector of J1.
 - g. Connect the remaining connector to the plug leading to the logic block of the RK05.
 - h. Reconnect the ac line cord.
 - i. Toggle RTZ to initialize and clear all error conditions and proceed with testing.

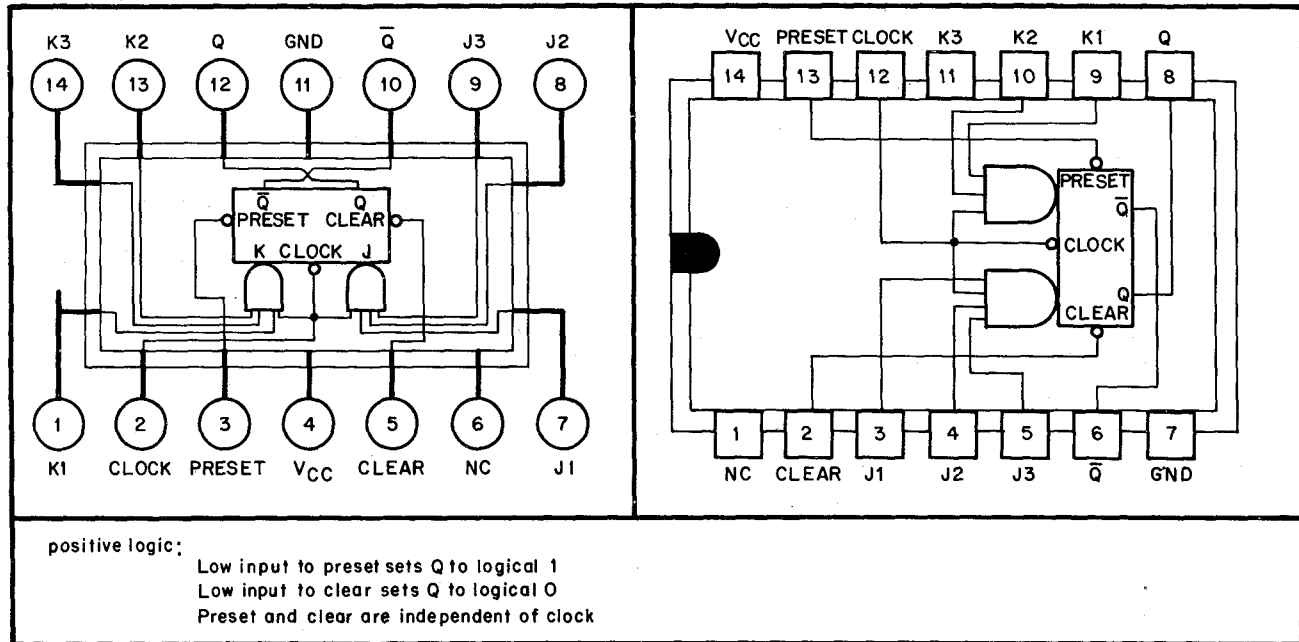
APPENDIX E

RK05 INTEGRATED CIRCUITS

This appendix provides functional logic diagrams, pin designations, and truth tables for the principal integrated circuits used in the RK05 Disk Drive. These ICs are indicated in the engineering drawings by manufacturer's part number and pin number.

The ICs described, together with the manufacturer's part number for each, are listed below.

Name	Manufacturer's Part No.
J-K Master-Slave Flip-Flop	7472
4-Bit Binary Full Adder	7483
Quadruple 2-Input XOR Gates	7486
4-Bit Binary Counter	7493
Dual Retriggerable Monostable Multivibrator	74123
TTL MSI Lamp, Logic, or MOS Drivers	74145



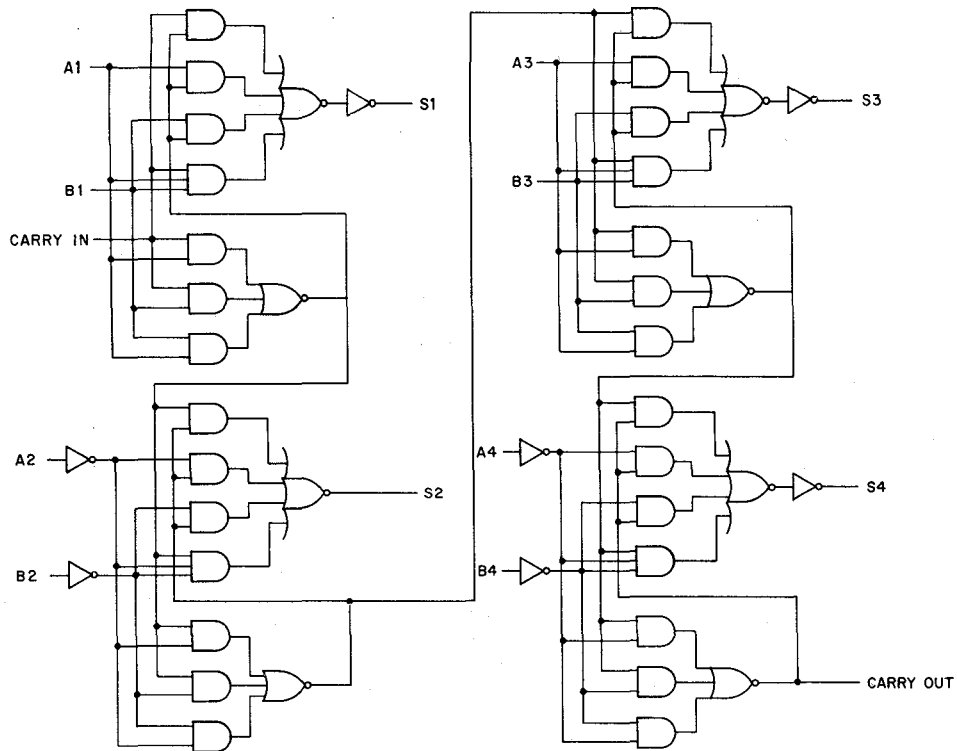
CP-0847

TRUTH TABLE		
t_n		t_{n+1}
J	K	Q
0	0	Q_n
0	1	0
1	0	1
1	1	\bar{Q}_n

NOTES:

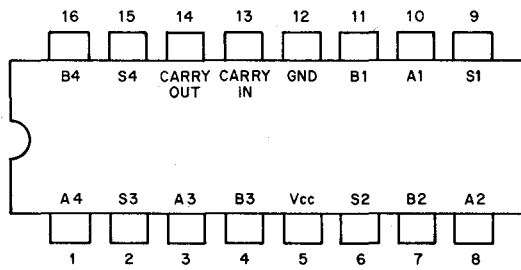
1. $J = J1 \cdot J2 \cdot J3$
2. $K = K1 \cdot K2 \cdot K3$
3. t_n = Bit time before clock pulse.
4. t_{n+1} = Bit time after clock pulse
5. NC = No internal connection.

Figure E-1 7472 J-K Master-Slave Flip-Flop



INPUT				OUTPUT												
				WHEN $C_0 = 0$				WHEN $C_0 = 0$								
				WHEN $C_0 = 0$				WHEN $C_0 = 0$								
A_1	B_1	A_2	B_2	Σ_1	Σ_2	C_2	Σ_1	Σ_2	C_2	A_3	B_3	A_4	B_4	Σ_3	Σ_4	C_4
0	0	0	0	0	0	0	1	0	0							
1	0	0	0	1	0	0	0	0	1	0						
0	1	0	0	1	0	0	0	1	0							
1	1	0	0	0	1	0	1	1	0							
0	0	1	0	0	1	0	1	0	1	0						
1	0	1	0	1	1	0	0	0	0	1						
0	1	1	0	1	1	0	0	0	0	1						
1	1	1	0	0	1	0	1	1	0	1						
0	0	0	1	0	1	0	1	1	0							
1	0	0	1	1	1	0	0	0	0	1						
0	1	0	1	1	1	0	0	0	0	1						
1	1	0	1	0	0	1	1	0	1							
0	0	1	1	0	0	1	1	0	1							
1	0	1	1	1	1	0	1	0	1	1						
0	1	1	1	1	1	0	1	0	1	1						
1	1	1	1	0	1	1	1	1	1	1						

LOGIC DIAGRAM

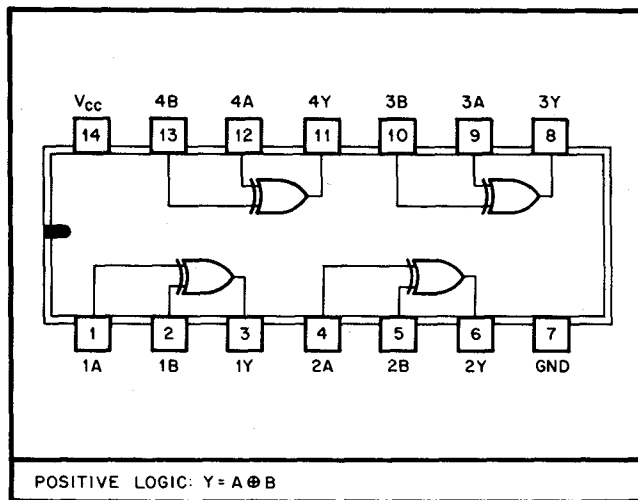


PIN LOCATOR
(TOP VIEW OF IC)

NOTE 1: Input conditions at A_1, A_2, B_1, B_2 , and C_0 are used to determine outputs Σ_1 and Σ_2 , and the value of the internal carry C_2 . The values at C_2, A_3, B_3, A_4 , and B_4 , are then used to determine outputs Σ_3, Σ_4 , and C_4 .

8E-0130

Figure E-2 7483 4-Bit Binary Full Adder



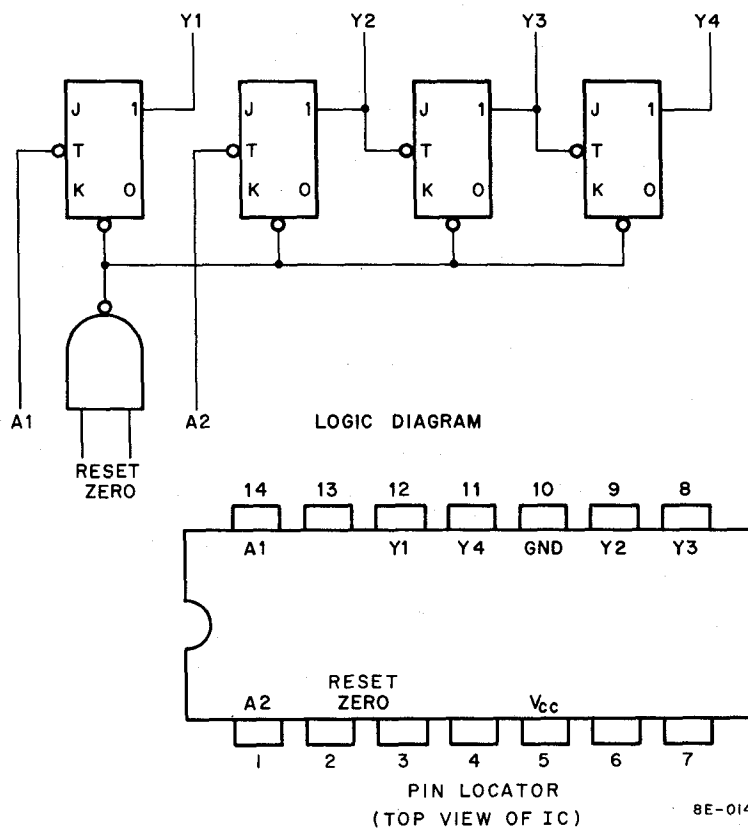
11-0732

Figure E-3 7486 Quadruple 2-Input XOR Gates

TOGGLE INPUT PULSE	OUTPUT			
	Y1	Y2	Y3	Y4
0	0	0	0	0
1	1	0	0	0
2	0	1	0	0
3	1	1	0	0
4	0	0	1	0
5	1	0	1	0
6	0	1	1	0
7	1	1	1	0
8	0	0	0	1
9	1	0	0	1
10	0	1	0	1
11	1	1	0	1
12	0	0	1	1
13	1	0	1	1
14	0	1	1	1
15	1	1	1	1

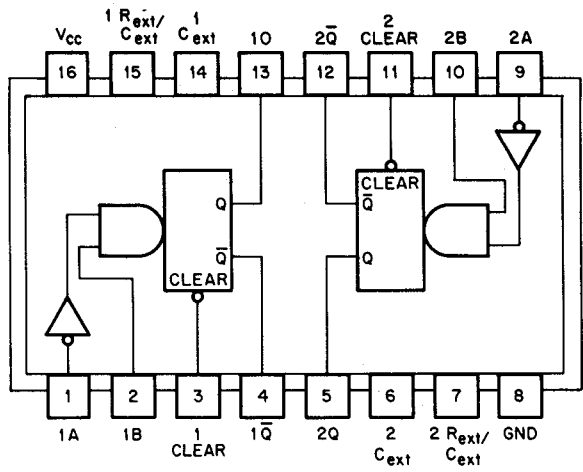
* TRUTH TABLE

* Applies When 7493 Is Used As 4-Bit Ripple-Through Counter.



8E-0142

Figure E-4 7493 4-Bit Binary Counter



FUNCTIONAL LOGIC/PIN LOCATOR

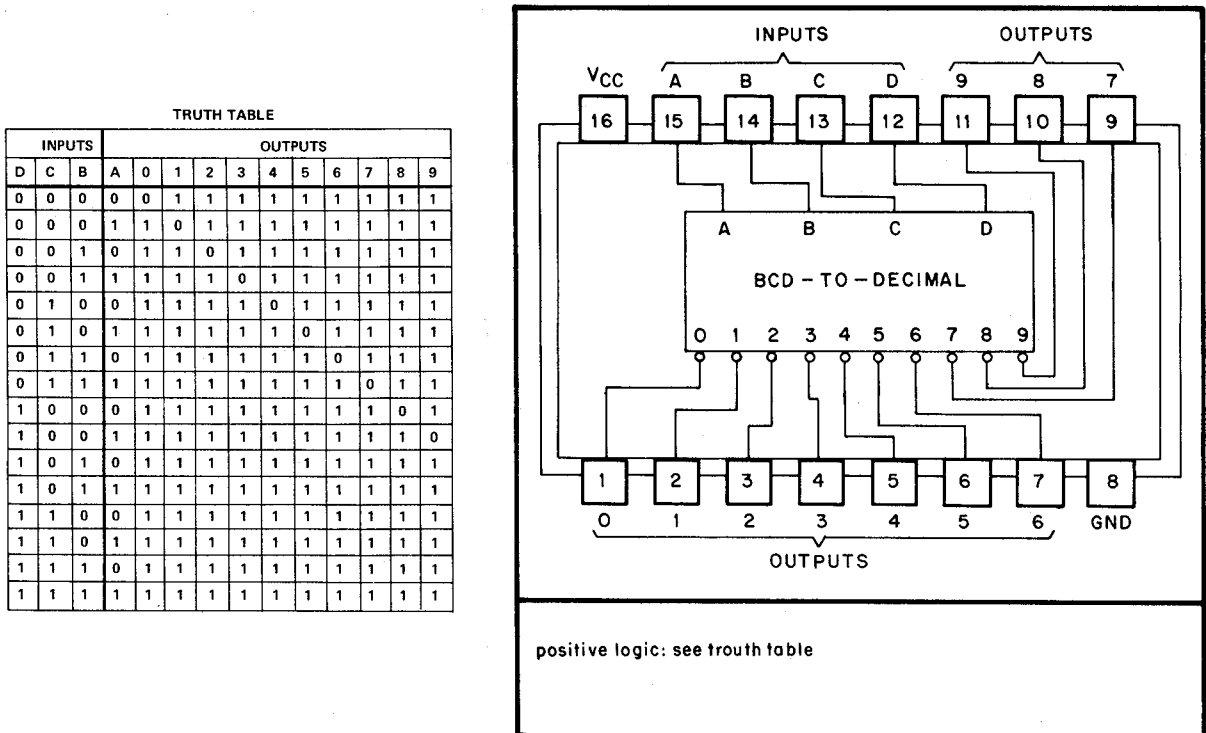
TRUTH TABLE

INPUTS		OUTPUTS	
A	B	Q	Q̄
H	X	L	H
X	L	L	H
L	↑		
L	↓		

NOTE: H=high level (steady state), L= low level (steady state), ↑= transition from low to high level, ↓= transition from high to low level, = one high-level pulse, = one low-level pulse, X= irrelevant (any input, including transitions).

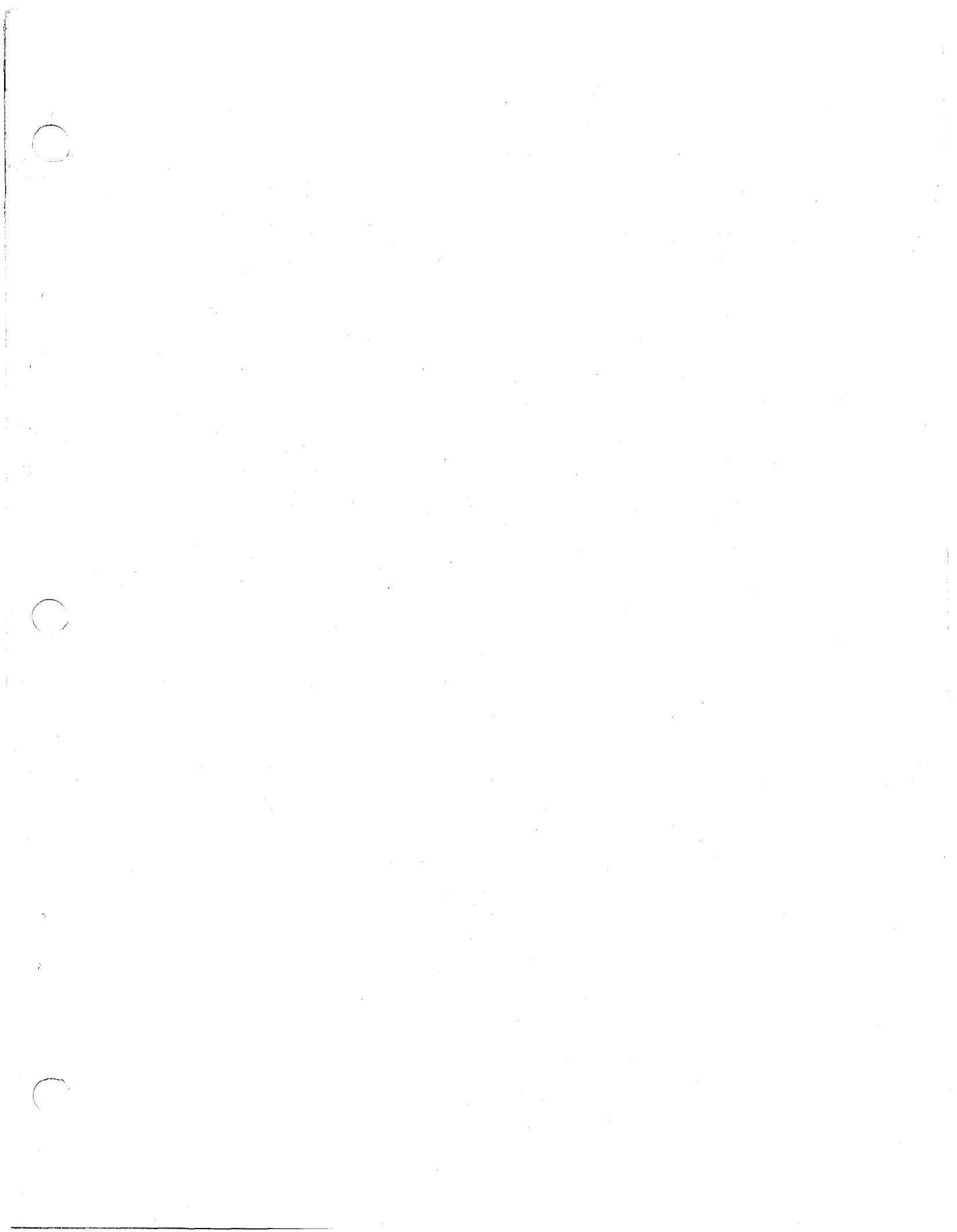
8E-0516

Figure E-5 74123 Dual Retriggerable Monostable Multivibrator



CP - 0846

Figure E-6 74145 TTL MSI Lamp, Logic, or MOS Drivers



Reader's Comments

Your comments and suggestions will help us in our continuous effort to improve the quality and usefulness of our publications.

What is your general reaction to this manual? In your judgment is it complete, accurate, well organized, well written, etc.? Is it easy to use? _____

What features are most useful? _____

What faults do you find with the manual? _____

Does this manual satisfy the need you think it was intended to satisfy? _____

Does it satisfy *your* needs? _____ Why? _____

Would you please indicate any factual errors you have found. _____

Please describe your position. _____

Name _____ Organization _____

Street _____ Department _____

City _____ State _____ Zip or Country _____

Fold Here

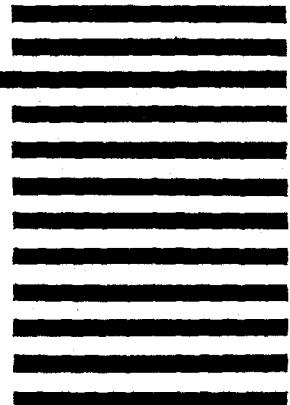
Do Not Tear - Fold Here and Staple

FIRST CLASS
PERMIT NO. 33
MAYNARD, MASS.

BUSINESS REPLY MAIL
NO POSTAGE STAMP NECESSARY IF MAILED IN THE UNITED STATES

Postage will be paid by:

Digital Equipment Corporation
Technical Documentation Department
Digital Park, PK3-2
Maynard, Massachusetts 01754



DIGITAL EQUIPMENT CORPORATION **digital** WORLDWIDE SALES AND SERVICE

MAIN OFFICE AND PLANT

Maynard, Massachusetts, U.S.A. 01754 • Telephone: From Metropolitan Boston: 646-8600 • Elsewhere: (617)-897-5111
TWX: 710-347-0212 Cable: DIGITAL MAYN Telex: 94-8457

DOMESTIC

NORTHEAST

REGIONAL OFFICE:

235 Wyman Street, Waltham, Mass. 02154
Telephone: (617)-890-0330/0310 Dataphone: 617-890-3012 or 3013

CONNECTICUT

Meriden
240 Pomeroy Ave., Meriden, Conn. 06540
Telephone: (203)-237-8441/7466 Dataphone: 203-237-8205

Fairfield
1275 Post Road, Fairfield, Conn. 06430
Telephone: (203)-255-5991

NEW YORK

Rochester
130 Allens Creek Road, Rochester, New York
Telephone: (716)-461-1700 Dataphone: 716-244-1680

Syracuse
6700 Thompson Road, Syracuse, New York 13211
Telephone: (315)-437-1593/7085 Dataphone: 315-454-4152

MASSACHUSETTS

Marlborough
One Iron Way
Marlborough, Mass. 01752
Telephone: (617)-481-7400 Telex: 710-347-0348

MID-ATLANTIC

REGIONAL OFFICE:

U.S. Route 1, Princeton, New Jersey 08540
Telephone: (609)-452-2940

FLORIDA

Orlando
Suite 130, 7001 Lake Ellenor Drive, Orlando, Florida 32809
Telephone: (305)-851-4450 Dataphone: 305-859-2360

GEORGIA

Atlanta
2815 Clearview Place, Suite 100
Atlanta, Georgia 03040
Telephone: (404)-451-7411 Dataphone: 305-859-2360

NORTH CAROLINA

Durham/Chapel Hill
Executive Park
3700 Chapel Hill Blvd.
Durham, North Carolina 27707
Telephone: (919)-489-3347 Dataphone: 919-489-7832

NEW JERSEY

Fairfield
253 Passaic Ave., Fairfield, New Jersey 07006
Telephone: (201)-227-9280 Dataphone: 201-227-9280
Metuchen
95 Main Street, Metuchen, New Jersey 08840
Telephone: (201)-549-4100/2000 Dataphone: 201-548-0144

MID-ATLANTIC (cont.)

Princeton
U.S. Route 1, Princeton, New Jersey 08540
Telephone: (609)-452-2940 Dataphone: 609-452-2940

NEW YORK

Long Island
1 Huntington Quadrangle
Suite 1507 Huntington Station, New York 11746
Telephone: (516)-694-4131 (212)-895-8095
Dataphone: 516-293-5693

Manhattan
810 7th Ave., 22nd Floor
New York, N.Y. 10019
Telephone: (212)-582-1300

PENNSYLVANIA

Philadelphia
Digital Hall
1740 Walton Road, Blue Bell, Pennsylvania 19422
Telephone: (215)-825-4200

TENNESSEE

Knoxville
6311 Kingston Pike, Suite 21E
Knoxville, Tennessee 37919
Telephone: (615)-588-6571 Dataphone: 615-584-0571

WASHINGTON D.C.

Lanham 30 Office Building
4900 Princess Garden Parkway, Lanham, Maryland
Telephone: (301)-459-7900 Dataphone: 301-459-7900 X53

CENTRAL

REGIONAL OFFICE:

1850 Frontage Road, Northbrook, Illinois 60062
Telephone: (312)-498-2500 Dataphone: 312-498-2500
Ex. 78

INDIANA

Indianapolis
21 Beachway Drive, Suite G
Indianapolis, Indiana 46224
Telephone: (317)-243-8341 Dataphone: 317-247-1212

ILLINOIS

Chicago
1850 Frontage Road
Northbrook, Illinois 60062 Dataphone: 312-498-2500

LOUISIANA

New Orleans
3100 Ridgelake Drive, Suite 108
Metairie, Louisiana 70002
Telephone: (504)-837-0257 Dataphone: 504-833-2800

CENTRAL (cont.)

MICHIGAN

Ann Arbor
230 Huron View Boulevard, Ann Arbor, Michigan 48103
Telephone: (313)-761-1150 Dataphone: 313-769-9883
Detroit
23777 Greenfield Road
Suite 189
Southfield, Michigan 48075 Dataphone: 313-557-3063

MINNESOTA

Minneapolis
8030 Cedar Ave. South, Minneapolis, Minnesota 55420
Telephone: (612)-854-6562-3-4-5 Dataphone: 612-854-1410

MISSOURI

Kansas City
12401 East 43rd Street, Independence, Missouri 64055
Telephone: (816)-252-2300 Dataphone: 816-461-3100
St. Louis
Suite 110, 115 Progress Parkway
Maryland Heights, Missouri 63043
Telephone: (314)-878-4310 Dataphone: 816-461-3100

OHIO

Cleveland
2500 Euclid Avenue, Euclid, Ohio 44117
Telephone: (216)-946-8484 Dataphone: 216-946-8477
Dayton
3101 Kettering Boulevard
Dayton, Ohio 45439
Telephone: (513)-294-3323 Dataphone: 513-298-4724

OKLAHOMA

Tulsa
3140 S. Winston
Winston Sq. Bldg., Suite 4, Tulsa, Oklahoma 74135
Telephone: (918)-749-4476 Dataphone: 918-749-2714

PENNSYLVANIA

Pittsburgh
400 Penn. Center Boulevard, Pittsburgh, Pennsylvania 15235
Telephone: (412)-243-9404 Dataphone: 412-824-9730

TEXAS

Dallas
Plaza North, Suite 513
2880 LBJ Freeway, Dallas, Texas 75234
Telephone: (214)-620-2051 Dataphone: 214-620-2061

HOUSTON

6656 Hornwood Drive
Monterey Park, Houston, Texas 77036
Telephone: (713)-777-3471 Dataphone: 713-777-1071

WISCONSIN

Milwaukee
8531 West Capitol Drive, Milwaukee, Wisconsin 53222
Telephone: (414)-463-9110 Dataphone: 414-463-9115

WEST

REGIONAL OFFICE:

310 Soquel Way, Sunnyvale, California 94086
Telephone: (408)-735-9200 Dataphone: 408-735-1820

ARIZONA

Phoenix
4358 East Broadway Road, Phoenix, Arizona 85040
Telephone: (602)-268-3488 Dataphone: 602-268-7371

CALIFORNIA

Santa Ana
2110 S. Anne Street, Santa Ana, California 92704
Telephone: (714)-979-2460 Dataphone: 714-979-6850

San Diego

6154 Mission Gorge Road
Suite 110, San Diego, California
Telephone: (714)-280-7880/7970 Dataphone: 714-280-7825

San Francisco

1400 Terra Bella, Mountain View, California 94040
Telephone: (415)-964-6200 Dataphone: 415-964-1436

Oakland

7850 Edgewater Drive, Oakland, California 94621
Telephone: (415)-635-5453/7830 Dataphone: 415-562-2160

West Los Angeles

1510 Cotner Avenue, Los Angeles, California 90025
Telephone: (213)-479-3791/4318 Dataphone: 213-478-5626

COLORADO

7901 E. Bellevue Avenue
Suite 5, Englewood, Colorado 80110
Telephone: (303)-770-6150 Dataphone: 303-770-6628

NEW MEXICO

Albuquerque
10200 Manual N.E., Albuquerque, New Mexico 87112
Telephone: (505)-296-5411/5428 Dataphone: 505-294-2330

OREGON

Portland
Suite 168
5319 S.W. Westgate Drive, Portland, Oregon 97221
Telephone: (503)-297-3761/3765

UTAH

Salt Lake City
429 Lawn Dale Drive, Salt Lake City, Utah 84115
Telephone: (801)-487-4669 Dataphone: 801-467-0535

WASHINGTON

Bellevue
13401 N.E. Bellevue, Redmond Road, Suite 111
Bellevue, Washington 98005
Telephone: (206)-545-4058/455-5404 Dataphone: 206-747-3754

INTERNATIONAL

EUROPEAN HEADQUARTERS

Digital Equipment Corporation International Europe
81 route de l'Aire
1211 Geneva 26, Switzerland
Telephone: 42 79 50 Telex: 22 883

FRANCE

Digital Equipment France
Centre Silic — Cidex L 225
94533 Rungis, France
Telephone: 687-23-33 Telex: 26840

GRENOBLE

Digital Equipment France
Tour Mangin
16 Rue Du Gal Mangin
38100 Grenoble, France
Telephone: (76)-87-56-01 Telex: 212-32882

GERMAN FEDERAL REPUBLIC

Digital Equipment GmbH
MUNICH
8 Muenchen 13, Wallensteinplatz 2
Telephone: 0811-35031 Telex: 524-226

COLOGNE

5 Koeln 41, Aachener Strasse 311
Telephone: 0221-44-40-95 Telex: 888-2269
Telegram: Flip Chip Koeln

FRANKFURT

6078 Neu-Isenburg 2
Am Forstaus Gravebruch 5-7
Telephone: 06102-5526 Telex: 41-76-82

HANNOVER

3 Hannover, Podbielskistrasse 102
Telephone: 0511-69-70-95 Telex: 922-952

STUTTGART

D-7301 Kempt, Stuttgart
Marco-Polo-Strasse 1
Telephone: (0711)-45-50-65 Telex: 841-722-393

AUSTRIA

Digital Equipment Corporation Ges.m.b.H.
VIENNA
Mariahilferstrasse 136, 1150 Vienna 15, Austria
Telephone: 85 51 86

UNITED KINGDOM

Digital Equipment Co. Ltd.
U.K. HEADQUARTERS
Fountain House, Butts Centre
Reading RG1 7QN, England
Telephone: (0734) 583555 Telex: 8483278

BIRMINGHAM

Maney Buildings
29/31 Birmingham Rd., Sutton Coldfield
Warwickshire, England
Telephone: 021-355-5501 Telex: 337-060

BRISTOL

Fish Ponds Road, Fish Ponds
Bristol, England BS163HQ
Telephone: Bristol 651-431

EALING

Bilton House, Uxbridge Road, Ealing, London W.5
Telephone: 01-579-2334 Telex: 22371

EDINBURGH

Shiel House, Craigshill, Livingston,
West Lothian, Scotland
Telephone: 32705 Telex: 727113

LONDON

Management House
43 Parker St., Holborn, London
WC 2B 5PT, England
Telephone: 01-405-2614/4067 Telex: 27560

MANCHESTER

Arndale House
Chester Road, Stretford, Manchester M32 9BH
Telephone: (061)-865-7011 Telex: 668666

UNITED KINGDOM (cont.)

READING
Fountain House, Butts Centre
Reading RG1 7QN, England
Telephone: (0734)-583555 Telex: 8483278

NETHERLANDS

Digital Equipment N.V.
THE HAGUE
Sir Winston Churchillian 370
Rijswijk/The Hague, Netherlands
Telephone: 94 9220 Telex: 32533

BELGIUM

Digital Equipment N.V./S.A.
BRUSSELS
108 Rue D'Arlon
1040 Brussels, Belgium
Telephone: 02-139256 Telex: 25297

SWEDEN

Digital Equipment AB
STOCKHOLM
Englundavagen 7, 171 41 Solna, Sweden
Telephone: 98 13 90 Telex: 173 50
Cable: Digital Stockholm

NORWAY

Digital Equipment Corp. A/S
OSLO
Trondheimsveien 47
Oslo 5, Norway
Telephone: 02/68 34 40 Telex: 19079 DEC N

DENMARK

Digital Equipment Aktiebolag
COPENHAGEN
Hellerupvej 66
2900 Hellerup, Denmark

FINLAND

Digital Equipment AB
HELSINKI
Titismaantie 6
SF-00710 Helsinki 71
Telephone: (090) 370133
Cable: Digital Helsinki

SWITZERLAND

Digital Equipment Corporation S.A.
GENEVA
20, Quai Ernest Ansermet
Boite Postale 23, 1211 Geneva 8, Switzerland
Telephone No. 022 20 40 20 and 20 58 93 and 20 68 93
Telex: 28 92 01

ZURICH

Digital Equipment Corp. AG
Schaffhauserstr. 315
CH-8050 Zurich, Switzerland
Telephone: 01 46 41 91 Telex: 56059

ITALY

Digital Equipment S.p.A.
MILAN
Corso Garibaldi 49, 20121 Milano, Italy
Telephone: (02)-879-051/2/3/4/5 Telex: 843-33615

SPAIN

Digital Equipment Corporation Ltd.
MADRID
Atnio Ingenieros S.A., Enrique Larreta 12, Madrid 16
Telephone: 215 35 43 Telex: 27249

BARCELONA

Atnio Ingenieros S.A., Granduxer 76, Barcelona 6
Telephone: 221 44 66

ISRAEL

DEC Systems Computers Ltd.
TEL AVIV
Suite 103, Southern Habakuk Street
Tel Aviv, Israel
Telephone: (03) 443114/440783 Telex: 922-33-3163

CANADA

Digital Equipment of Canada, Ltd.
CANADIAN HEADQUARTERS
P.O. Box 11500
Ottawa, Ontario, Canada
K2H 8K8
Telephone: (613)-592-5111 TWX: 610-562-8732

TORONTO

2550 Goldenridge Road, Mississauga, Ontario
Telephone: (416)-270-9400 TWX: 610-492-7118

MONTREAL

9045 Cote De Liesse
Dorval, Quebec, Canada H9P 2M9
Telephone: (514)-636-9393 Telex: 610-422-4124

CALGARY/Edmonton

Suite 140, 6940 Fisher Road S.E.
Calgary, Alberta, Canada
Telephone: (403) 435-4881 TWX: 403-255-7408

VANCOUVER

Suite 202
644 S.W. Marine Dr., Vancouver
British Columbia, Canada V6P 5Y1
Telephone: (604)-325-3231 Telex: 610-929-2006

GENERAL INTERNATIONAL SALES

REGIONAL OFFICE
146 Main Street, Maynard, Massachusetts 01754
Telephone: (617) 897-5111
From Metropolitan Boston, 646-8600
TWX: 710-347-0217/0212
Cable: DIGITAL MAYN
Telex: 94-8457

AUSTRALIA

Digital Equipment Australia Pty. Ltd.
ADELAIDE
6 Montrose Avenue
Norwood, South Australia 5067
Telephone: (08)-42-1339 Telex: 790-82825

BRISBANE

133 Leichhardt Street
Spring Hill
Brisbane, Queensland, Australia 4000
Telephone: (072)-293088 Telex: 790-40616

CANBERRA

27 Collie St.
Fyshwick, A.C.T. 2609 Australia
Telephone: (062)-959073

MELBOURNE

60 Park Street, South Melbourne, Victoria 3205
Australia
Telephone: (03)-699-2888 Telex: 790-30700

PERTH

643 Murray Street
West Perth, Western Australia 6005
Telephone: (092)-21 4993 Telex: 790-92140

SYDNEY

P.O. Box 491, Crows Nest
N.S.W. Australia 2065
Telephone: (02)-439-2963 Telex: 790-20740

NEW ZEALAND

Digital Equipment Corporation Ltd.
AUCKLAND
Hilton House, 430 Queen Street, Box 2471
Auckland, New Zealand
Telephone: 75533

JAPAN

Digital Equipment Corporation International
Kowa Building No. 16 — Annex, First Floor
9-20 Akasaka 1-Chome
Minato-Ku, Tokyo 107, Japan
Telephone: 588-2771 Telex: J-26428
Rikei Trading Co., Ltd. (sales only)
Kozato-Kaikun Bldg.
No. 18-14 Nishishimbashi 1-Chome
Minato-Ku, Tokyo, Japan
Telephone: 5915246 Telex: 781-4208

PUERTO RICO

Digital Equipment Corporation De Puerto Rico
407 del Parque Street
Santurce, Puerto Rico 00912
Telephone: (809)-723-8068/67 Telex: 385-9056

ARGENTINA

BUENOS AIRES
Coasin S.A.
Virrey del Pino, 4071, Buenos Aires
Telephone: 52-3185 Telex: 012-2284

BRAZIL

RIO DE JANEIRO — GB
Ambriex S.A.
Rua Ceara, 104, 2 e 3 andares ZC - 29
Rio De Janeiro — GB
Telephone: 264-7406/0461/7625

SÃO PAULO

Ambriex S.A.
Rua Tupi, 535
Sao Paulo — SP
Telephone: 52-7806/1870, 51-0912

PORTO ALEGRE — RS

Rua Coronel Vicente 421/101
Porto Alegre — RS
Telephone: 24-7411

CHILE

SANTIAGO
Coasin Chile Ltda. (sales only)
Casilla 14588, Correo 15,
Telephone: 396713 Cable: COACHIL

INDIA

<