

# ILLUSTRATED PARTS BREAKDOWN

# PDP 11/45

## 16 BIT COMPUTER (Basic)

### HOW TO USE THE IPB

#### GENERAL

This IPB is compiled following the organization and nomenclature of the engineering drawing structure.

#### MAJOR ASSEMBLY LOCATOR

The Major Assembly Locator (first illustration) is an index that provides a description and a figure reference for all illustrations used in this manual.

#### INDENTED PARTS LIST

This manual identifies each assembly being broken down (figure reference callout), and all parts of that assembly. Further breakdown of an assembly is shown by an asterisk (\*) preceding the item callouts in the Description Column. The number of asterisks preceding an item is used to denote the subordination of that item with respect to the Major Assembly. A single asterisk preceding an item description indicates that the item is part of the major assembly being illustrated. Items that are subordinate to single asterisks items, are denoted by two asterisks (\*\*) and immediately follow the related single asterisk item. Additional asterisks are used, as required, to denote further subordination. This system of part identification, provides a means for the user to identify the next higher assembly item and make alternate selections for parts when the required replacement part or assembly is not immediately available.

#### COLUMN CALLOUT DESCRIPTION

**Figure & Item** — Indicates the figure number and item number of each part.

**Description** — Lists the name of the part and pertinent specifications (when required). Asterisks preceding the description denote the subordination of the part to the next higher assembly.

**DEC Part No.** — Lists the DEC part ordering number. A blank in this column indicates a DEC part number was not assigned at the time of publication.

**ECO Cut-In** — The notation at the top of this column indicates the ECO level of the system (option), at which the IPB was initially prepared. Subsequent ECO level designations, that modify existing parts or add new parts to the device, are inserted in the ECO Cut-In column next to the part that is added or modified. A bracket ([]) preceding the item description is used to indicate the parts affected by ECO's.

**Vendor Code/Part No.** — Indicates vendor parts that are not stocked by DEC. Refer to the Field Service Spares Catalog (vendor part number to DEC part number) for the vendor code cross-reference.

**Used On Code** — Letters in this column correspond to the variation codes assigned in Figure 1. Parts with an Alpha notation(s) are used only in those option variations. A blank indicates that the part is used on all option variations.

**Ref Fig No.** — A cross reference between illustrations. For each Major Assembly, the number in this column denotes the figure of the next higher assembly. For all subassemblies, the number in this column denotes the figure showing additional detailed breakdown.

#### SYMBOL USAGE

**Hardware Designators** — Alpha designators for screws (S), washers (W), nuts (N), and retaining rings (R) are inserted after the item number callouts on the illustration when stacked item numbers are used.

**Attaching Hardware** — The @ symbol is inserted before any part that is used as attaching hardware. Attaching hardware is denoted as those parts that are not an integral part of the referenced assembly.

**(NFR) Not Field Repairable** — The (NFR) symbol is inserted after any assembly that is not to be field dismantled.

**Other Symbols** — Any other symbols that are required for kits, accessories, etc., will be explained and appear as part of the item description.

### REVISION HISTORY

PRINTING	ECO LEVEL	DATE	PAGES AFFECTED
1st Printing	PDP-11/45 00021-00058 H960C 00000-00001 H950 00100-00102 H950A 00000-00001 54-09684 00000-00005 70-08784 00000-00002 70-09540 00000-00000 70-08860 00000-00000 70-08853 00000-00003	10-8-74	N/A

Copyright © 1974, by Digital Equipment Corporation

DEC reserves the right, without notice, to make substitutions and modifications in the specifications of products documented in this manual and further reserves the right to withdraw any of these products from the market without notice.

DEC is not responsible for errors which may appear in the technical description (including illustrations and photographs) of the products covered by this manual.

None of the descriptions contained in this manual imply the granting of any license whatsoever to make, use or sell equipment constructed in accordance therewith.

# PROF. DR. ...

... ..

... ..

... ..

... ..

... ..

... ..

... ..

... ..

... ..

... ..

## ... ..

... ..

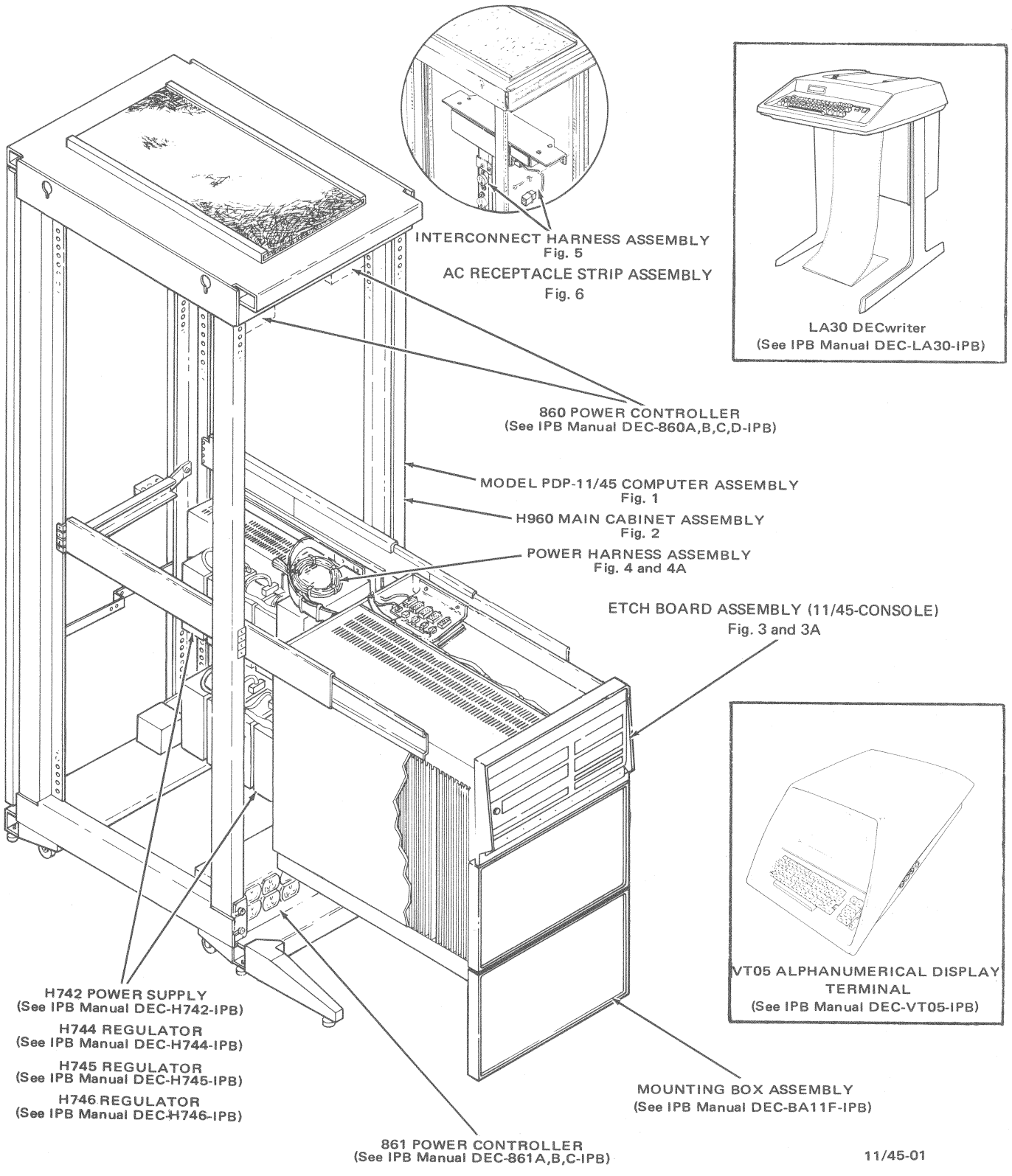
... ..

... ..

... ..

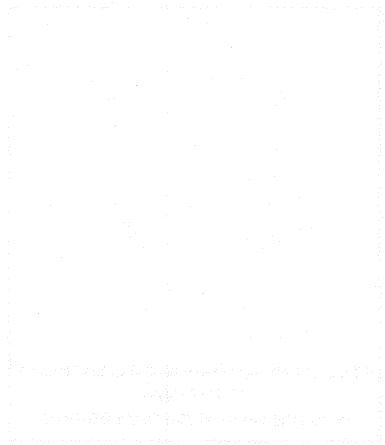
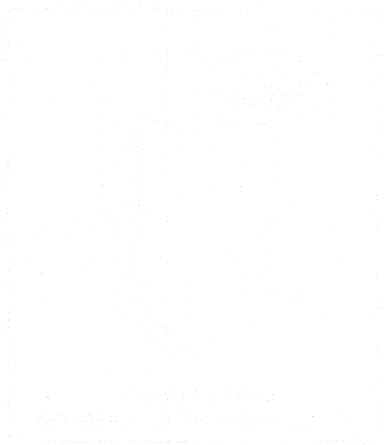
... ..

... ..



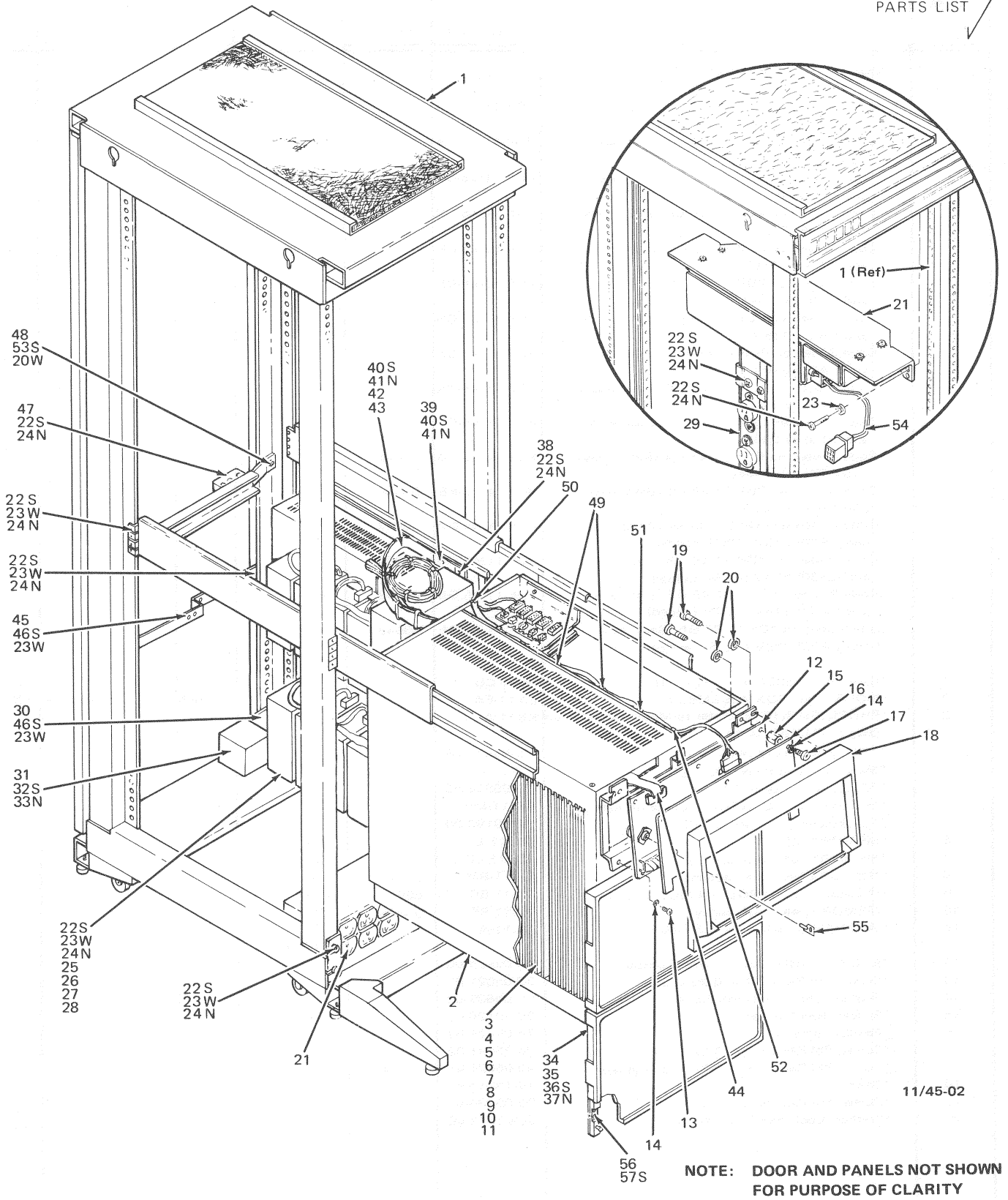
**NOTE: DOOR AND PANELS NOT SHOWN FOR PURPOSE OF CLARITY**

*Major Assembly Locator, PDP-11/45 Computer*



Faint text or labels located at the bottom left of the page, possibly providing technical specifications or a legend.

Faint text or labels located at the bottom right of the page, possibly providing technical specifications or a legend.



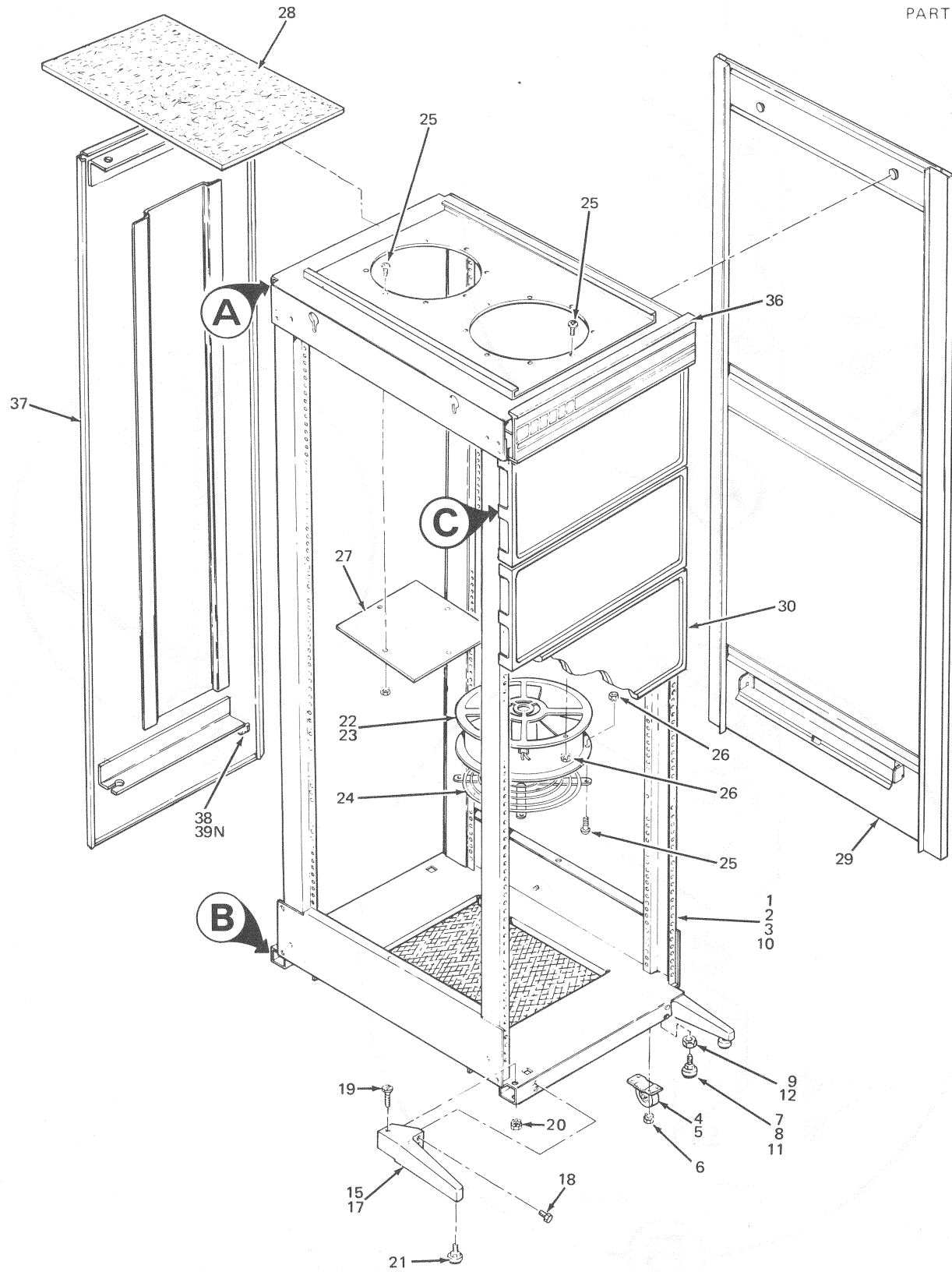
11/45-02

Figure 1. Model PDP-11/45 Computer Assembly (16 Bit)

FIG & ITEM NO.	DESCRIPTION	DEC PART NO.	ECO CUT-IN PDP11/45 00021	USED ON CODE	VENDOR		REF FIG NO.
					CODE	PART NO.	
1--	MODEL PDP-11/45 COMPUTER ASSY (16 Bit)						
	Code A used on PDP-11/45-CA (Basic Assy) 115V	PDP-11/45-CA		A			
	Code B used on PDP-11/45-CB (Basic Assy) 230V	PDP-11/45-CB		B			
	Code C used on PDP-11/45-CC (Basic Assy and LA30) 115V	PDP-11/45-CC		C			
	Code D used on PDP-11/45-CD (Basic Assy and LA30) 230V	PDP-11/45-CD		D			
	Code E used on PDP-11/45-CE (Basic Assy and VT05B) 115V	PDP-11/45-CE		E			
	Code F used on PDP-11/45-CF (Basic Assy and VT05B) 230V	PDP-11/45-CF		F			
	Code H used on PDP-11/45-CH (Basic Assy and LA30) 115V	PDP-11/45-CH		H			
	Code J used on PDP-11/45-CJ (Basic Assy and LA30) 230V	PDP-11/45-CJ		J			
	Code K used on PDP-11/45-CK (Basic Assy and VT05B) 115V	PDP-11/45-CK		K			
	Code L used on PDP-11/45-CL (Basic Assy and VT05B) 230V	PDP-11/45-CL		L			
	Code M used on PDP-11/45-FA (Basic Assy) 115V (OEM) (added)	PDP-11/45-FA	00048	M			
	Code N used on PDP-11/45-FB (Basic Assy) 230V (OEM) (added)	PDP-11/45-FB	00048	N			
	Code P used on PDP-11/45-GA (Basic Assy and LA30) 115V (OEM) (added)	PDP-11/45-GA	00048	P			
	Code Q used on PDP-11/45-GB (Basic Assy and LA30) 230V (OEM) (added)	PDP-11/45-GB	00048	Q			
	Code R used on PDP-11/45-GE (Basic Assy and LA30) 115V (OEM) (added)	PDP-11/45-GE	00048	R			
	Code S used on PDP-11/45-GF (Basic Assy and LA30) 230V (OEM) (added)	PDP-11/45-GF	00048	S			
1	*CABINET ASSEMBLY (PDP-11)	H960-CD					2
2	*MOUNTING BOX ASSEMBLY	BA11-FA					
3	*PROCESSOR(16 Bit)Refer to Module Utilization Dwg E-MU-KB11-A-01	KB11-A				See Manual DEC-BA11-F-IPB	
	** Wired Assembly (KB11-A)	70-08871-00					
4	*MEMORY and CONTROL, 8K	MF11-L		HJKLMN			
	**Backplane Assy (MF11-L)	70-08872-00					
5	*MEMORY and CONTROL, 8K (with parity)	MF11-LP		CDEF			
	**Backplane Assy (MF11-LP)	70-09193-00					
6	*MEMORY, 8K	MM11-L		HJKL			
7	*MEMORY, 8K (with parity)	MM11-LP		CDEF			
8	*MOS MEMORY, 4K (added)	MS11-BM	00048	PQ			
9	*MEMORY CONTROL, 1st MOS (added)	MS11-BC	00048	PQRS			
10	*MEMORY, 4K (with parity)	MS11-BP	00048	RS			
11	*ASYNCHRONOUS INTERFACE	DL11-A		CDEFGHJ KLMNPRS			
12	*ETCH BOARD ASSY (11/45 Console)	54-09684-00					3
13	*Screw, Phi Pan Hd No. 6-32 x .31	90-06021-01					
14	*Washer, Lock Int Tooth No. 6	90-06633-00					
15	*Spacer, Hex Special	90-09120-01					
16	*Panel, Indicator	74-09271-00					
17	*Screw, Phi Pan Hd No. 8-32 x .31 (deleted)	90-06021-02					
	*Screw, Phi Pan Hd No. 6-32 x .31 (added)	90-06021-01	00054				
18	*Bezel	12-10710-00					
19	*Screw, Phi Pan Hd No. 8-32 x .50	90-06039-01					
20	*Washer, Lock Ext Tooth No. 8	90-08072-00					

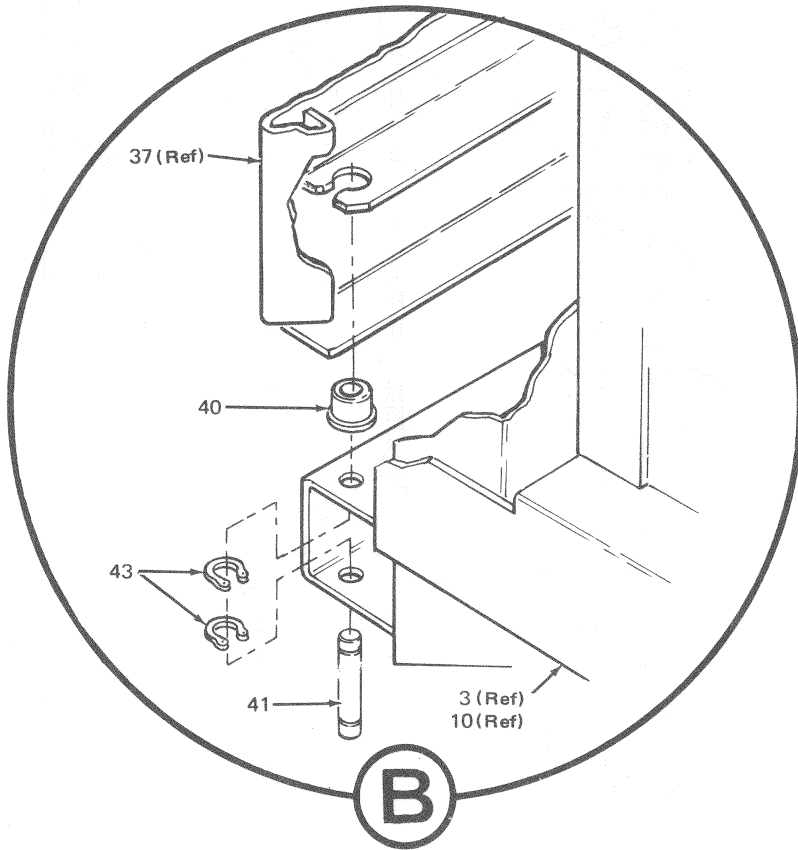
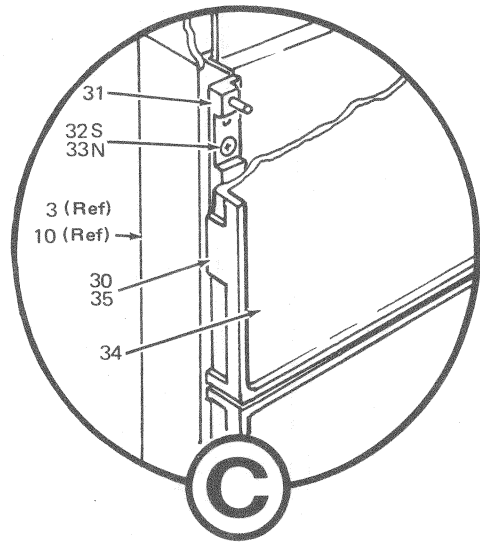
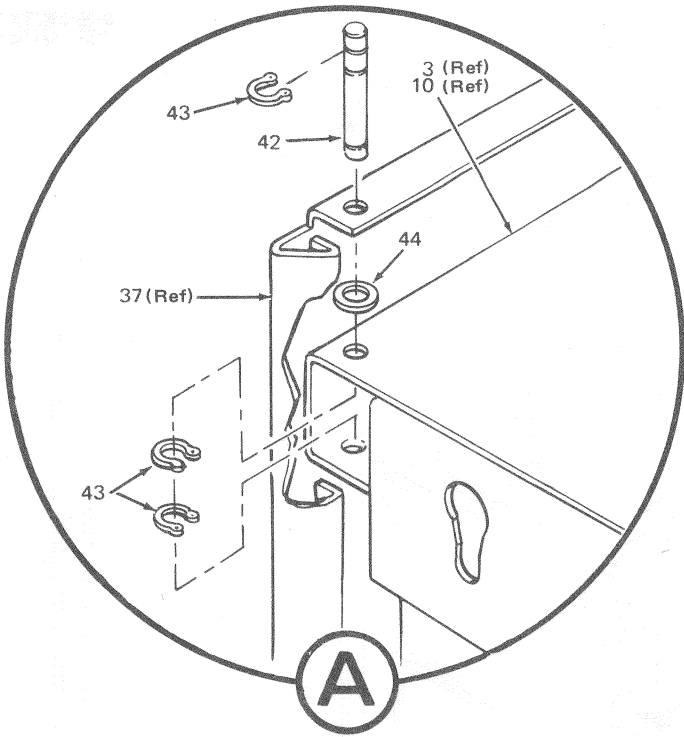
FIG & ITEM NO.	DESCRIPTION	DEC PART NO.	ECO CUT-IN PDP-11/45 00021	USED ON CODE	VENDOR		REF FIG NO.
					CODE	PART NO.	
1- 21	*POWER CONTROL ASSY (115V) (deleted) *POWER CONTROL ASSY (230V) (deleted) *POWER CONTROL ASSY (115V) (added)	860-A 860-B 861-A		ACEHK BDFJL ACEHK MPR		See Manual DEC-860 A,B,C,D-IPB See Manual DEC-860 A,B,C,D-IPB See Manual DEC-861 A,B,C-IPB	
22	*POWER CONTROL ASSY (230V) (added) *Screw, Phi Pan Hd No. 10-32 x .62	861-B 90-06074-01	00047	BDFJLNQS		See Manual DEC-861 A,B,C-IPB	
23	*Washer, Lock Ext Tooth No. 10	90-07651-00					
24	*Nut, Tinnerman	90-07786-00					
25	*POWER SUPPLY ASSEMBLY (115V)  *POWER SUPPLY ASSEMBLY (230V)	H742-A  H742-B		ACEHK MPR BDFJL NQS		See Manual DEC-H742-IPB  See Manual DEC-H742-IPB	
26	*REGULATOR ASSEMBLY (+5V)	H744-00				See Manual DEC-H744-IPB	
27	*REGULATOR ASSEMBLY (-15V)	H745-00				See Manual DEC-H745-IPB	
28	*REGULATOR ASSEMBLY (MOS)	H746-00		PQRS		See Manual DEC-H746-IPB	
29	*AC RECEPTACLE STRIP ASSY (deleted)	70-08853-01		ACEHK			6
30	*AC RECEPTACLE STRIP ASSY (deleted)	70-08853-02		BDFJL			6
31	*Bracket, Meter Mounting *Meter, Elapsed Time (M1906)	74-09622-00 12-01208-00		ACEHK MPR			
	*Meter, Elapsed Time (M1908) (deleted)	12-02270-00		BDFJL NQS			
	*Meter, Elapsed Time (M1905) (added)	12-02234-00	00058	BDFJL NQS			
32	*Screw, Phi Pan Hd No. 4-40	90-08301-01					
33	*Nut, Kep No. 4-40	90-06557-00					
34	*Bracket, Mounting 10-1/2 inch panel	74-09289-00					
35	*Cover, Panel 10-1/2 inch	H950-QA					
36	*Screw, Phi Pan Hd No. 8-32 x .38	90-06037-01					
37	*Nut, Kep No. 8-32	90-06563-00					
38	*Bracket, Harness Support	74-09445-00					
39	*Plate, Support	74-09447-00					
40	*Screw, Phi Pan Hd No. 10-32 x .50	90-06073-01					
41	*Nut, Kep No. 10-32	90-06565-00					
42	*HARNES, Power (11/45) (deleted) Used on equipment with serial numbers up to 1999	70-08784-00					4
	*HARNES, Power (11/45) (added) Used on equipment with serial numbers 2000 and above	70-09540-00	00054				4A
43	*Support, Harness	74-09446-00					
44	*Cable, Indicator (Rework)	70-08864-00					
45	*Bracket, Shipping	74-09312-00					
46	*Screw, Phi Pan Hd No. 10-32 x .38	90-06071-01					
47	*Bracket, Cable Holddown (added)	74-10581-00	00034				
48	*Clamp and Strap, Cable	12-11215-00					
49	*Clamp, Cable 7/8 inch	90-07090-00					
50	*Tie Wrap	90-07880-00					
51	*Clamp, Cable 5/8 inch	90-07087-00					
52	*Clamp, Cable 3/16 inch	90-07080-00					
53	*Screw, Phi Pan Hd No. 8-32 x 1.00	90-06043-01					
54	*HARNES, ASSEMBLY, Interconnecting (860 P.C.)	70-08860-00					5
55	*Key	29-15843-00			99	XX2247	
56	*Molding, Latch	12-09224-00					
57	*Screw, Phi Ft Hd No. 8-32 x 1/4	90-06035-00					

FIG & ITEM NO.	DESCRIPTION	DEC PART NO.	ECO CUT-IN PDP-11/45 00021	USED ON CODE	VENDOR		REF FIG NO.
					CODE	PART NO.	
1-	*Serial DECwriter, 115 V 60 Hz (Not shown) *Serial-DECwriter, 230 V 50 Hz (Not shown) *CRT Alphanumeric Terminal, 115 V 60 Hz (Not shown) *CRT Alphanumeric Terminal, 230 V 50 Hz (Not shown)	LA30-CA LA30-CD VT05B-AA  VT05B-AD	CHPR DJQS EK  FL			See Manual DEC-LA30-IPB See Manual DEC-LA30-IPB See Manual VT05-IPB  See Manual VT05-IPB	
	DECALS (Not Shown)						
	†Decal, Power Supply (Upper P.S.)	53-10049-00					
	†Decal, Power Supply (Lower P.S.)	53-10048-00					
	†Decal, MUL (Top of BA11-F) DEC-3-378-1474-N272						
	†Decal, H742 P.S. (A) (deleted)	53-09993-00					
	†Decal, 11/45-11/50 Reg. Config. A (Back of BA11-F) (added)	53-10709-00			00054		
	†Decal, H742 P.S. (A) (deleted)	53-09994-00					
	†Decal, 11/45-11/50 Reg. Config. B (Back of BA11-F) (added)	53-10710-00					
	†Decal, Patent (Back of BA11-F) (added)	74-09478-00			00054		
	†Decal, Back Panel Caution (on exposed panel of BA11-F behind Console) (added)	74-11170-00			00055		
					00053		



11/45-03

Figure 2. H960C Main Cabinet Assembly (Sheet 1 of 2)

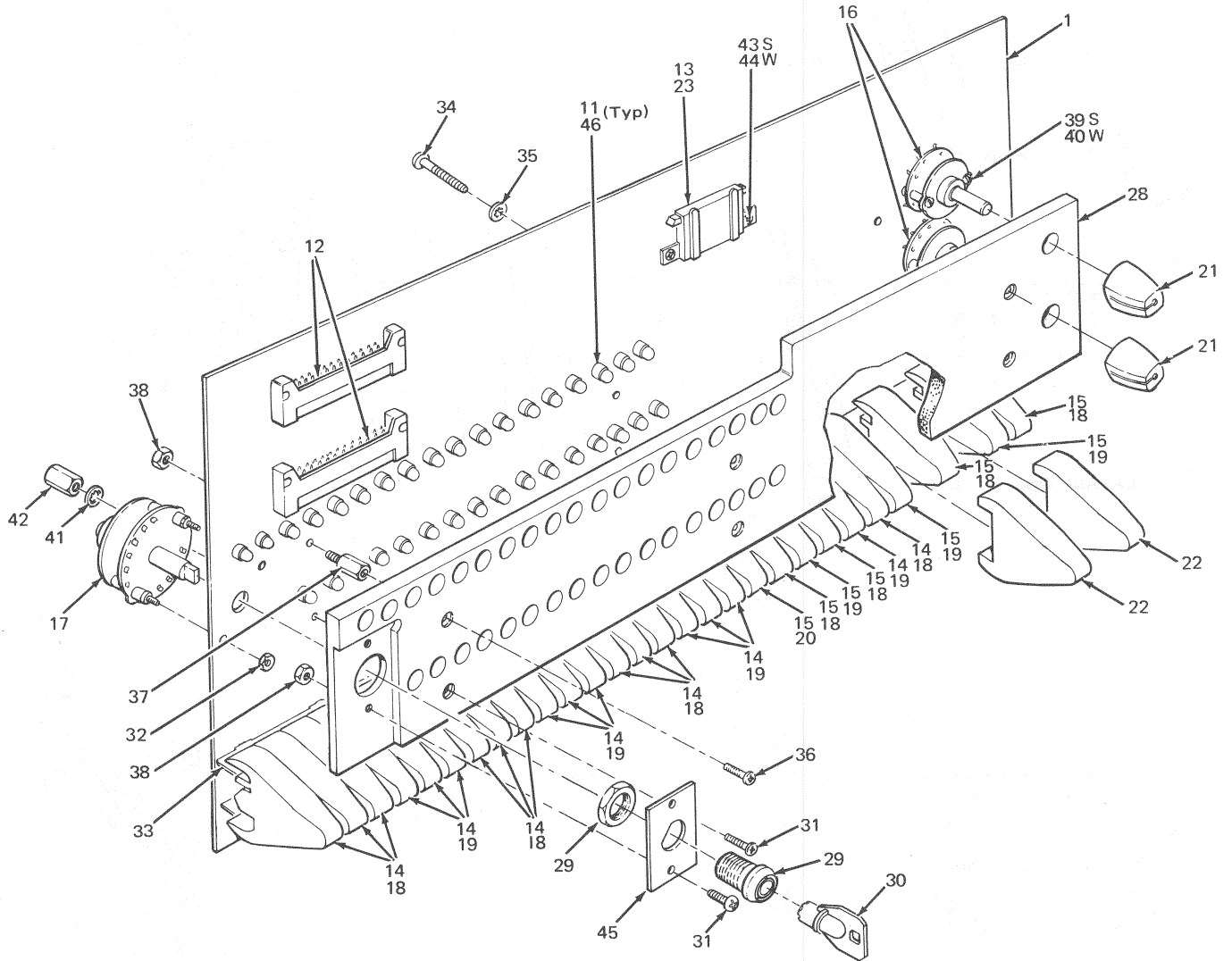


11/45-04

Figure 2. H960C Main Cabinet Assembly (Sheet 2 of 2)

FIG & ITEM NO.	DESCRIPTION	DEC PART NO.	ECO CUT-IN H960C 00000	USED ON CODE	VENDOR		REF FIG NO.
					CODE	PART NO.	
2-	H960C MAIN CABINET ASSEMBLY	H960-CD					1
1	*BASIC CABINET ASSEMBLY, 19 inch	70-06501-27					
2	**CABINET ASSEMBLY (19 inch) with Casters and Levelers (deleted)	70-06478-00					
3	***FRAME ASSEMBLY, 19 inch (deleted)	H950-AA					
4	***Caster Set (deleted) See Note 1.	H952-E					
5	***Caster (deleted)	90-05835-00					
6	****Nut, Kep No. 5/16-18 (deleted)	90-06568-00					
7	***Leveler Set (deleted)	H952-F					
8	****Leveler (deleted)	90-07600-00	H950				
9	***Nut, Hex Lock No. 1/2-13 (deleted)	90-06596-00	00101				
10	**FRAME ASSEMBLY (19 inch) with Casters and Levelers (added) See Note 1.	H950-AA					
11	***Leveler (added)	90-07600-00	H950				
12	***Nut, Hex Lock No. 1/2-13 NC (added)	90-06596-00	00101				
13	***Screen, Bottom Pan (added)		H950A				
14	***Screw, Sems Sltd Hd No. 10-32 x 5/8 (added)		00001				
15	**STABILIZER FOOT ASSEMBLY	H952-BA	H950				
16	***Foot, Stabilizer (R.H.)	74-06699-01	00102				
17	***Foot, Stabilizer (L.H.)	74-06699-02					
18	***Screw, Phl Truss Hd No. 10-32 x 3/4 (Passivate)	90-07630-00					
19	***Screw, Shoulder Flt Hd No. 1/4-20 x 2-5/8	90-08370-00					
20	***Nut, Kep No. 1/4-20	90-08203-00					
21	***Leveler	90-07601-00					
22	**FAN ASSEMBLY, 115V	H952-CA					
23	**FAN ASSEMBLY, 230V	H952-CB					
24	***Fan, Caravel, 115V	12-04826-00					
25	***Fan, Caravel, 230V	12-09798-00					
26	***Guard, Finger	12-09175-00					
27	***Screw, Phl Pan Hd No. 6-32 x 1/2	90-06022-01					
28	***Nut, Kep No. 6-32	90-06560-00					
29	***Cover, Fan Hole	74-06706-00					
30	**Filter	H950-SA					
31	*Panel, End	H952-AA					
32	*Panel, Cover (10-1/2 inch)	H950-QA					
33	**Molding, Thick Latch	12-11386-00					
34	**Screw, Phl Flt Hd No. 10-32 x 1/2	90-06073-02					
35	**Nut, Tinnerman No. 10-32	90-07786-00					
36	**Inlay	12-09176-02					
37	**Bezel, Snap-on (10-1/2 inch)	12-09225-00					
38	*Logo, PDP-11	74-07936-04					
39	*Door, Full Length (R.H.)	H950-BA					
40	**Magnet	12-09165-00					
41	**Nut, Kep No. 6-32	90-06560-00					
42	**Bushing, Pivot	74-06702-00					
43	**Pin, Door	74-06672-00					
44	**Pin, Door	74-06671-00					
	**Ring, Retaining	90-07184-00					
	**Washer, Nylon 1/2 OD x 11/32 ID x 1/16	12-09163-00					
	Note 1: On new cabinets, casters are welded to the frame						





ETCH REV B

11/45-05

Figure 3. Etch Board Assembly (Etch Rev B) (Sheet 1 of 2)

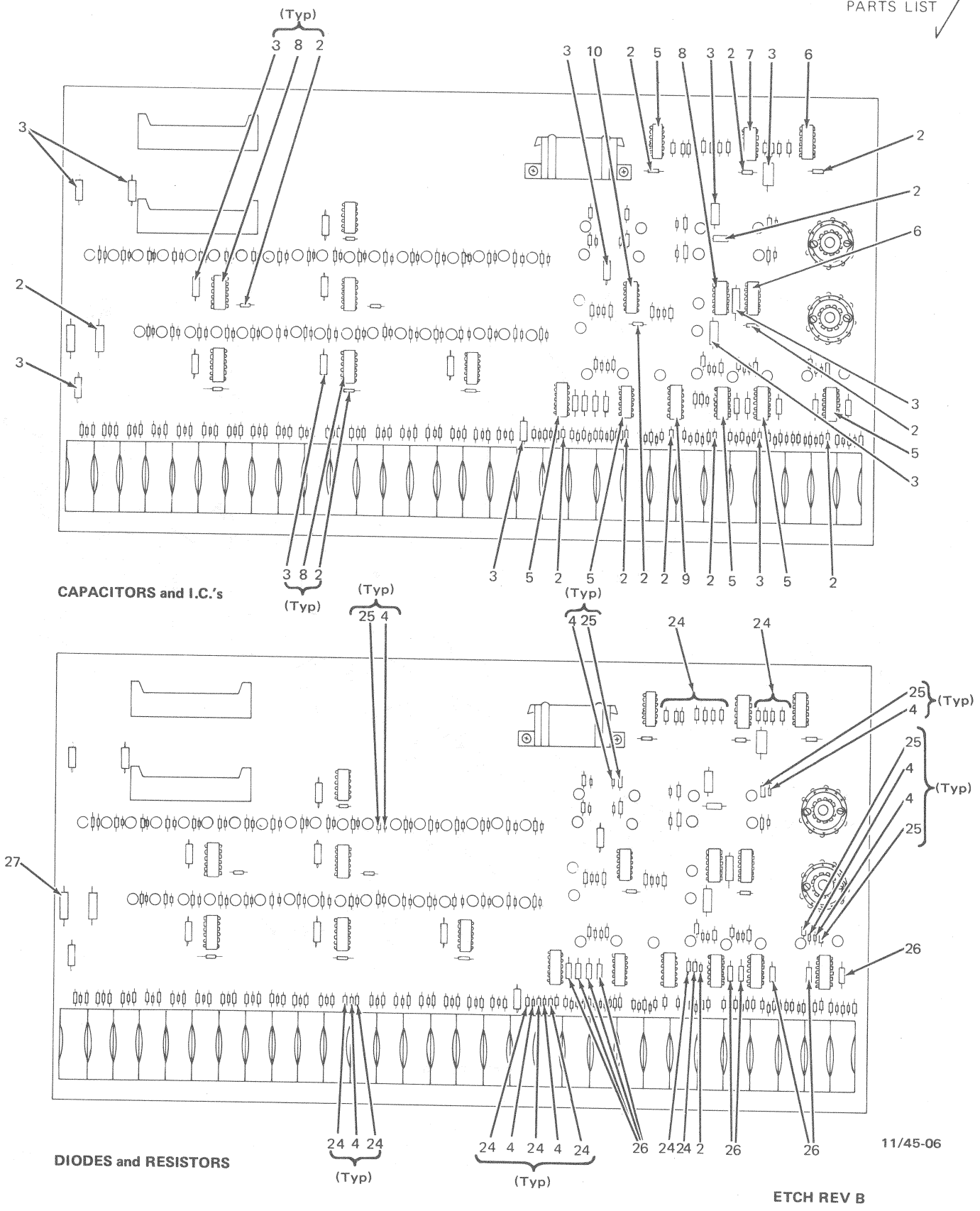
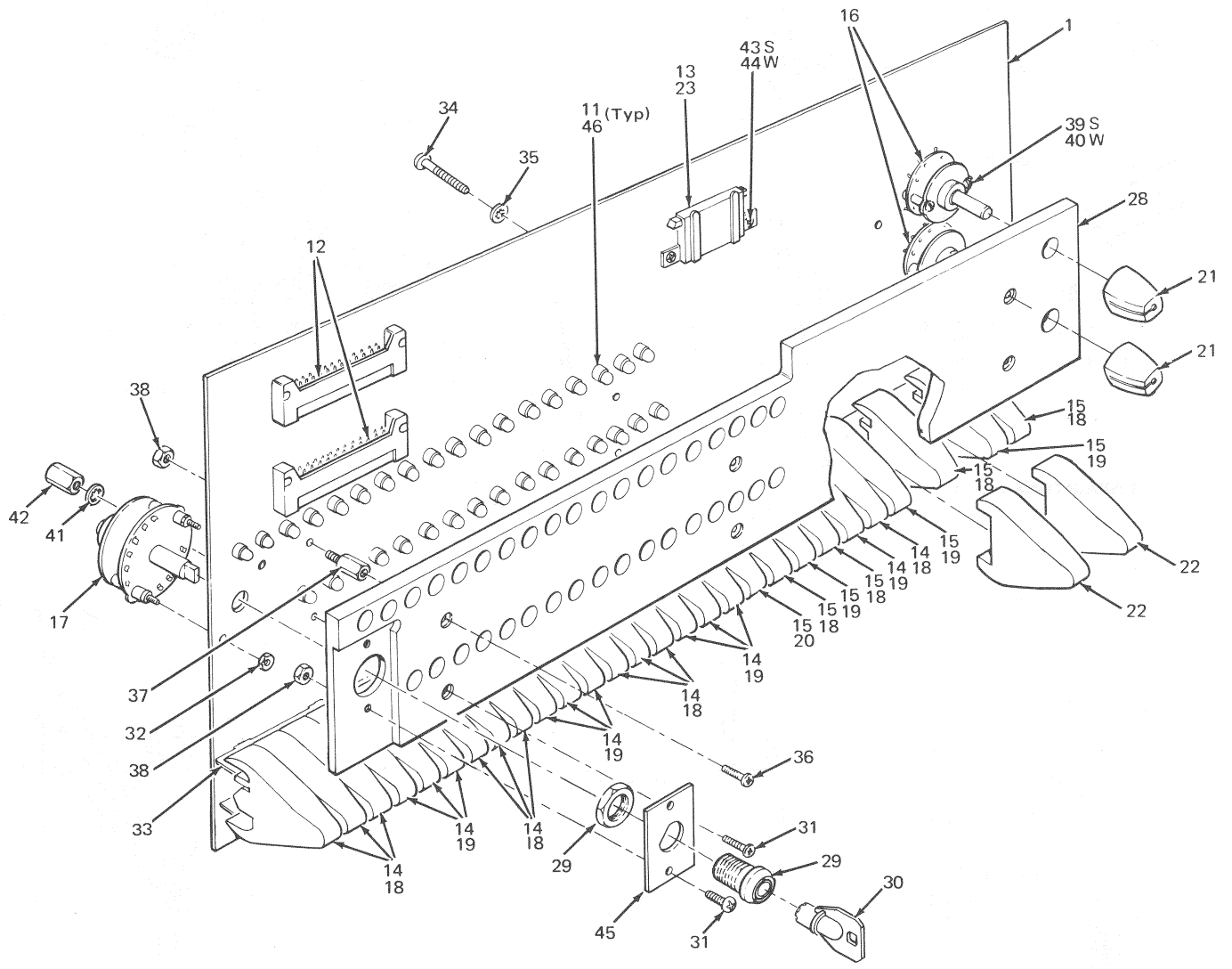


Figure 3. Etch Board Assembly (Etch Rev B) (Sheet 2 of 2)

FIG & ITEM NO.	DESCRIPTION	DEC PART NO.	ECO CUT-IN 54-09684 00000	USED ON CODE	VENDOR		REF FIG NO.
					CODE	PART NO.	
3-	ETCH BOARD ASSEMBLY (ETCH REV B)	54-09684-00					1
1	*Board, Etched Circuit	50-09603-00					
2	*Capacitor (C1-C18,C34) .01 MFD 100V 20%	10-01610-00	00001				
3	*Capacitor (C19-C33) 6.8 MFD 35V 20% (C25-C33 added)	10-00067-00	00001				
4	*Diode (D1-D91) D664	11-00114-00					
5	*I.C. (E1,E3,E6,E10-E12) DEC 7400	19-05575-00					
6	*I.C. (E2,E4) DEC 7417	19-09929-00					
7	*I.C. (E5) DEC 9318	19-10454-00					
8	*I.C. (E7,E13-E18) DEC 7416	19-09928-00					
9	*I.C. (E8) DEC 7404	19-09686-00					
10	*I.C. (E9) MC 3001	19-09514-00					
11	*Lamp (I1-I54) 2309 G Hudson Blue	12-09219-00					
12	*Connector (J1,J2) Right Angle Header	12-09941-00					
13	*Connector (J3) (Pin Housing) Mate-N-Lok	12-09340-00					
14	*Switch (S1-S18,S23,S24) Toggle, Momentary	12-10840-00					
15	*Switch (S19-S22,S25-S28) Toggle, Momentary	12-10841-00					
16	*Switch (S29,S31) Rotary, 8 Position	12-10775-00					
17	*Switch (S30) Rotary, 3 Position	12-10753-00					
18	*Knob, Switch (Rose)	12-10796-01					
19	*Knob, Switch (Magenta)	12-10796-02					
20	*Knob, Switch (Gray)	12-10796-03					
21	*Knob, Function (Black)	12-10773-00					
22	*Knob, Dummy (Gray)	12-10825-00					
23	*Pin, Socket AMP No. 61320-1	12-09456-00					
24	*Resistor (R1-R36,R55-R57,R62-R78, R111-R119,R123-R131,R135,R136) 22K Ohm 1/4W 10%	13-00418-00					
25	*Resistor (R37-R54,R58-R61,R82-R109, R137-R140) 220 Ohm, 1/4W 10%	13-00275-00					
26	*Resistor (R79-R81,R120-R122,R132-R134) 100 Ohm 1/4W 10% (deleted)	13-00231-00	00001				
27	*Resistor (R141) 270 Ohm 1/4W 10% (added)	13-00286-00	00001				
28	*Support, Indicator Panel	74-09485-00					
29	*Lock, Power	12-10754-00					
30	*Key, Power Lock	29-15843-00			99	XX2247	
31	*Screw, Phi Pan Hd No. 6-32 x .38	90-06022-01					
32	*Nut, Kep No. 4-40	90-06557-00					
33	*Support, Switch	74-09270-01					
34	*Screw, Phi Pan Hd No. 8-32 x .31 (deleted)	90-06036-01					
	*Screw, Self Tapping No. 8-32 x 1/4 (added)	90-08143-00	00001				
35	*Washer, Lock Int. Tooth No. 8	90-06634-00					
36	*Screw, Phi Pan Hd No. 6-32 x .50	90-06024-01					
37	*Standoff, Male-Female No. 6-32	90-09120-01					
38	*Nut, Kep No. 6-32	90-06560-00					
39	*Washer, Lock Int Tooth No. 2	90-06631-00					
40	*Nut, Hex No. 2-56	90-06555-00					
41	*Washer, Lock Int Tooth No. 6	90-06633-00					
42	*Spacer, No. 6-32 x .88	90-06861-00					
43	*Screw, Phi Pan Hd No. 4-40 x .38	90-06011-01					
44	*Washer, Fiber H.H. Smith No. 2162	90-06693-00					
45	*Strap, Lock Mounting	74-09489-00					
46	*Socket, Lamp	90-07812-00					





ETCH REV C, D and E

11/45-05

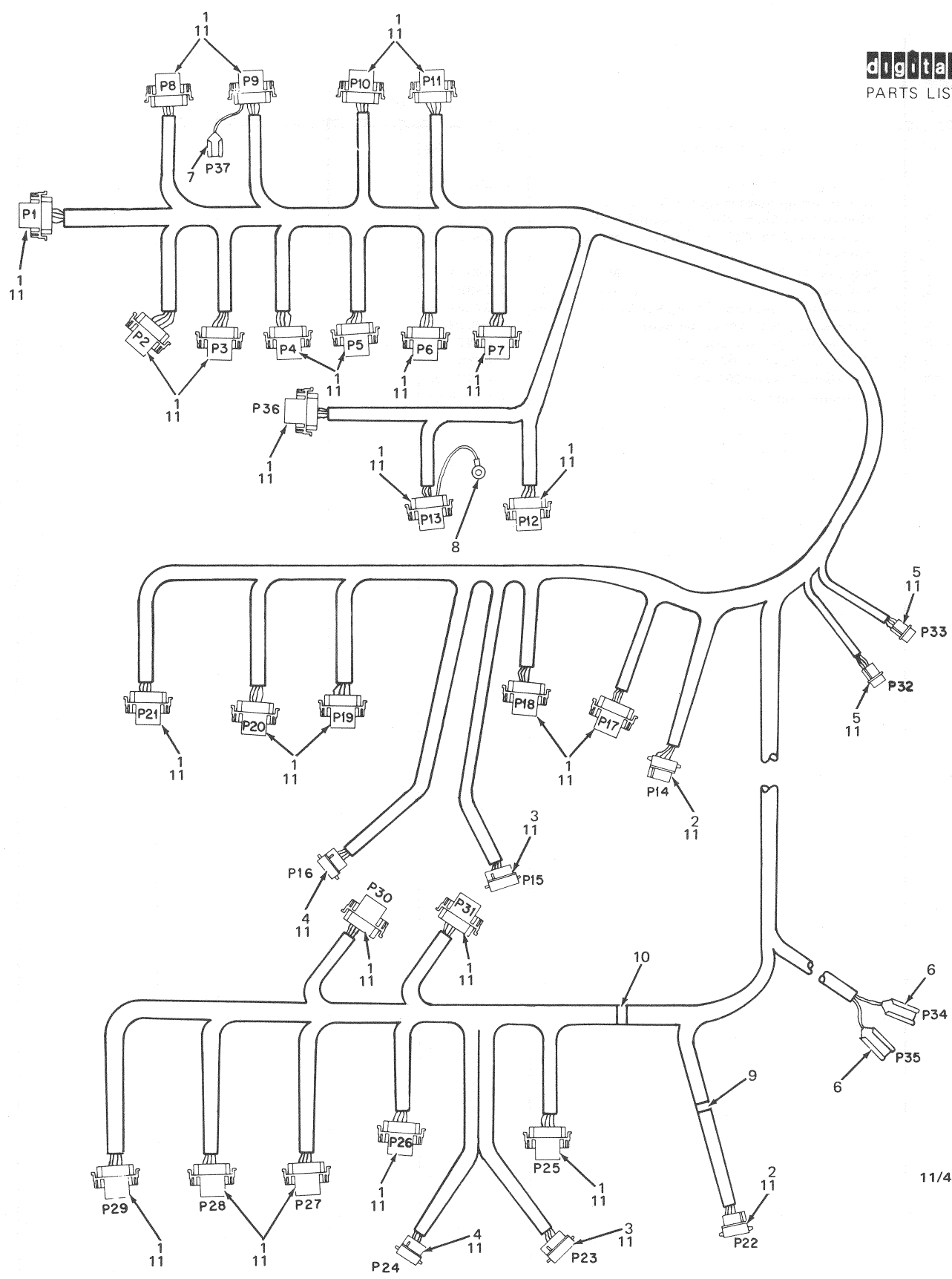
Figure 3A. Etch Board Assembly (Etch Rev C,D and E) (Sheet 1 of 2)



FIG & ITEM NO.	DESCRIPTION	DEC PART NO.	ECO CUT-IN 54-09684 00002	USED ON CODE	VENDOR		REF FIG NO.
					CODE	PART NO.	
3A-	ETCH BOARD ASSEMBLY (ETCH REV C)	54-09684-00					1
	ETCH BOARD ASSEMBLY (ETCH REV D)	54-09684-00	00004				1
	ETCH BOARD ASSEMBLY (ETCH REV E)	54-09684-00	00005				1
1	*Board, Etched Circuit	50-09603-00					
	*Board, Etched Circuit	50-09603-00	00004				
	*Board, Etched Circuit	50-09603-00	00005				
2	*Capacitor (C1-C18, C34-C36) .01 MFD 100V 20%	10-01610-00					
3	*Capacitor (C19-C33) 6.8 MFD 35V 20%	10-00067-00					
4	*Diode (D1-D91) D664	11-00114-00					
5	*I.C. (E1,E3,E6,E10-E12) DEC7400	19-05575-00					
6	*I.C. (E2,E4) DEC 7417	19-09929-00					
7	*I.C. (E5) DEC 9318	19-10454-00					
8	*I.C. (E7,E13-E18) DEC 7416	19-09928-00					
9	*I.C. (E8) DEC 7404	19-09686-00					
10	*I.C. (E9) MC 3001	19-09514-00					
11	*Lamp (11-154) 2309G Hudson Blue	12-09219-00					
12	*Connector (J1,J2) Right Angle Header	12-09941-00					
13	*Connector (J3) (Pin Housing) Mate-N-Lok	12-09340-00					
14	*Switch (S1-S18,S23,S24) Toggle, Momentary	12-10840-00					
15	*Switch (S19-S22,S25-S28) Toggle, Mementary	12-10841-00					
16	*Switch (S29,S31) Rotary, 8 Position	12-10775-00					
17	*Switch (S30) Rotary, 3 Position	12-10753-00					
18	*Knob, Switch (Rose)	12-10796-01					
19	*Knob, Switch (Magenta)	12-10796-02					
20	*Knob, Switch (Gray)	12-10796-03					
21	*Knob, Function (Black)	12-10773-00					
22	*Knob, Dummy (Gray)	12-10825-00					
23	*Pin, Socket AMP No. 61320-1	12-09456-00					
24	*Resistor (R1-R36,R55-R57,R62-R78, R111-R119, R123-R131,R135,R136) 22K Ohm 1/4W 10%	13-00418-00					
25	*Resistor (R37-R54,R58-R61,R82-R109, R137-R140) 220 Ohm, 1/4W 10%	13-00275-00					
26	*Resistor (R120) 68 Ohm 1/4W 10%	13-00221-00					
27	*Resistor (R121) 56 Ohm 1/4W 10%	13-01429-00					
28	*Support, Indicator Panel	74-09485-00					
29	*Lock, Power	12-10754-00					
30	*Key, Power Lock	29-15843-00			99	XX2247	
31	*Screw, Phi Pan Hd. No. 6-32 x .38	90-06022-01					
32	*Nut, Kep No. 4-40 (deleted)	90-06557-00					
	*Nut, Nylon No. 4-40 (added)	90-07992-00	00003				
33	*Support, Switch	74-09270-01					
34	*Screw, Self Tapping No. 8-32 x 1/4	90-08143-00					
35	*Washer, Lock Int Tooth No. 8	90-06634-00					
36	*Screw, Phi Pan Hd No. 6-32 x .50	90-06024-01					
37	*Standoff, Male-Female No. 6-32	90-09120-01					
38	*Nut, Kep No. 6-32	90-06560-00					
39	*Washer, Lock Int Tooth No. 2	90-06631-00					
40	*Nut, Hex No. 2-56	90-06555-00					
41	*Washer, Lock Int Tooth No. 6	90-06633-00					
42	*Spacer No. 6-32 x .88	90-06861-00					
43	*Screw, Phi Pan Hd No. 4-40 x .38	90-06011-01					
44	*Washer, Fiber H.H. Smith No. 2162	90-06693-00					
45	*Strap, Lock Mounting	74-09489-00					
46	*Socket Lamp	90-07812-00					

Date	Description	Amount	Balance
1901			
Jan 1	Balance forward		
Jan 15	Received from A	100	
Jan 20	Received from B	200	
Jan 25	Received from C	150	
Jan 30	Received from D	300	
Feb 5	Received from E	250	
Feb 10	Received from F	180	
Feb 15	Received from G	120	
Feb 20	Received from H	90	
Feb 25	Received from I	70	
Feb 28	Received from J	50	
Mar 5	Received from K	40	
Mar 10	Received from L	30	
Mar 15	Received from M	20	
Mar 20	Received from N	10	
Mar 25	Received from O	5	
Mar 30	Received from P	2	
Apr 5	Received from Q	1	
Apr 10	Received from R	0	
Apr 15	Received from S	0	
Apr 20	Received from T	0	
Apr 25	Received from U	0	
Apr 30	Received from V	0	
May 5	Received from W	0	
May 10	Received from X	0	
May 15	Received from Y	0	
May 20	Received from Z	0	
May 25	Received from AA	0	
May 30	Received from AB	0	
Jun 5	Received from AC	0	
Jun 10	Received from AD	0	
Jun 15	Received from AE	0	
Jun 20	Received from AF	0	
Jun 25	Received from AG	0	
Jun 30	Received from AH	0	
Jul 5	Received from AI	0	
Jul 10	Received from AJ	0	
Jul 15	Received from AK	0	
Jul 20	Received from AL	0	
Jul 25	Received from AM	0	
Jul 30	Received from AN	0	
Aug 5	Received from AO	0	
Aug 10	Received from AP	0	
Aug 15	Received from AQ	0	
Aug 20	Received from AR	0	
Aug 25	Received from AS	0	
Aug 30	Received from AT	0	
Sep 5	Received from AU	0	
Sep 10	Received from AV	0	
Sep 15	Received from AW	0	
Sep 20	Received from AX	0	
Sep 25	Received from AY	0	
Sep 30	Received from AZ	0	
Oct 5	Received from BA	0	
Oct 10	Received from BB	0	
Oct 15	Received from BC	0	
Oct 20	Received from BD	0	
Oct 25	Received from BE	0	
Oct 30	Received from BF	0	
Nov 5	Received from BG	0	
Nov 10	Received from BH	0	
Nov 15	Received from BI	0	
Nov 20	Received from BJ	0	
Nov 25	Received from BK	0	
Nov 30	Received from BL	0	
Dec 5	Received from BM	0	
Dec 10	Received from BN	0	
Dec 15	Received from BO	0	
Dec 20	Received from BP	0	
Dec 25	Received from BQ	0	
Dec 30	Received from BR	0	
1902			
Jan 1	Balance forward		
Jan 15	Received from BS	0	
Jan 20	Received from BT	0	
Jan 25	Received from BU	0	
Jan 30	Received from BV	0	
Feb 5	Received from BW	0	
Feb 10	Received from BX	0	
Feb 15	Received from BY	0	
Feb 20	Received from BZ	0	
Feb 25	Received from CA	0	
Feb 28	Received from CB	0	
Mar 5	Received from CC	0	
Mar 10	Received from CD	0	
Mar 15	Received from CE	0	
Mar 20	Received from CF	0	
Mar 25	Received from CG	0	
Mar 30	Received from CH	0	
Apr 5	Received from CI	0	
Apr 10	Received from CJ	0	
Apr 15	Received from CK	0	
Apr 20	Received from CL	0	
Apr 25	Received from CM	0	
Apr 30	Received from CN	0	
May 5	Received from CO	0	
May 10	Received from CP	0	
May 15	Received from CQ	0	
May 20	Received from CR	0	
May 25	Received from CS	0	
May 30	Received from CT	0	
Jun 5	Received from CU	0	
Jun 10	Received from CV	0	
Jun 15	Received from CW	0	
Jun 20	Received from CX	0	
Jun 25	Received from CY	0	
Jun 30	Received from CZ	0	
Jul 5	Received from DA	0	
Jul 10	Received from DB	0	
Jul 15	Received from DC	0	
Jul 20	Received from DD	0	
Jul 25	Received from DE	0	
Jul 30	Received from DF	0	
Aug 5	Received from DG	0	
Aug 10	Received from DH	0	
Aug 15	Received from DI	0	
Aug 20	Received from DJ	0	
Aug 25	Received from DK	0	
Aug 30	Received from DL	0	
Sep 5	Received from DM	0	
Sep 10	Received from DN	0	
Sep 15	Received from DO	0	
Sep 20	Received from DP	0	
Sep 25	Received from DQ	0	
Sep 30	Received from DR	0	
Oct 5	Received from DS	0	
Oct 10	Received from DT	0	
Oct 15	Received from DU	0	
Oct 20	Received from DV	0	
Oct 25	Received from DW	0	
Oct 30	Received from DX	0	
Nov 5	Received from DY	0	
Nov 10	Received from DZ	0	
Nov 15	Received from EA	0	
Nov 20	Received from EB	0	
Nov 25	Received from EC	0	
Nov 30	Received from ED	0	
Dec 5	Received from EE	0	
Dec 10	Received from EF	0	
Dec 15	Received from EG	0	
Dec 20	Received from EH	0	
Dec 25	Received from EI	0	
Dec 30	Received from EJ	0	
1903			
Jan 1	Balance forward		
Jan 15	Received from EK	0	
Jan 20	Received from EL	0	
Jan 25	Received from EM	0	
Jan 30	Received from EN	0	
Feb 5	Received from EO	0	
Feb 10	Received from EP	0	
Feb 15	Received from EQ	0	
Feb 20	Received from ER	0	
Feb 25	Received from ES	0	
Feb 28	Received from ET	0	
Mar 5	Received from EU	0	
Mar 10	Received from EV	0	
Mar 15	Received from EW	0	
Mar 20	Received from EX	0	
Mar 25	Received from EY	0	
Mar 30	Received from EZ	0	
Apr 5	Received from FA	0	
Apr 10	Received from FB	0	
Apr 15	Received from FC	0	
Apr 20	Received from FD	0	
Apr 25	Received from FE	0	
Apr 30	Received from FF	0	
May 5	Received from FG	0	
May 10	Received from FH	0	
May 15	Received from FI	0	
May 20	Received from FJ	0	
May 25	Received from FK	0	
May 30	Received from FL	0	
Jun 5	Received from FM	0	
Jun 10	Received from FN	0	
Jun 15	Received from FO	0	
Jun 20	Received from FP	0	
Jun 25	Received from FQ	0	
Jun 30	Received from FR	0	
Jul 5	Received from FS	0	
Jul 10	Received from FT	0	
Jul 15	Received from FU	0	
Jul 20	Received from FV	0	
Jul 25	Received from FW	0	
Jul 30	Received from FX	0	
Aug 5	Received from FY	0	
Aug 10	Received from FZ	0	
Aug 15	Received from GA	0	
Aug 20	Received from GB	0	
Aug 25	Received from GC	0	
Aug 30	Received from GD	0	
Sep 5	Received from GE	0	
Sep 10	Received from GF	0	
Sep 15	Received from GG	0	
Sep 20	Received from GH	0	
Sep 25	Received from GI	0	
Sep 30	Received from GJ	0	
Oct 5	Received from GK	0	
Oct 10	Received from GL	0	
Oct 15	Received from GM	0	
Oct 20	Received from GN	0	
Oct 25	Received from GO	0	
Oct 30	Received from GP	0	
Nov 5	Received from GQ	0	
Nov 10	Received from GR	0	
Nov 15	Received from GS	0	
Nov 20	Received from GT	0	
Nov 25	Received from GU	0	
Nov 30	Received from GV	0	
Dec 5	Received from GW	0	
Dec 10	Received from GX	0	
Dec 15	Received from GY	0	
Dec 20	Received from GZ	0	
Dec 25	Received from HA	0	
Dec 30	Received from HB	0	



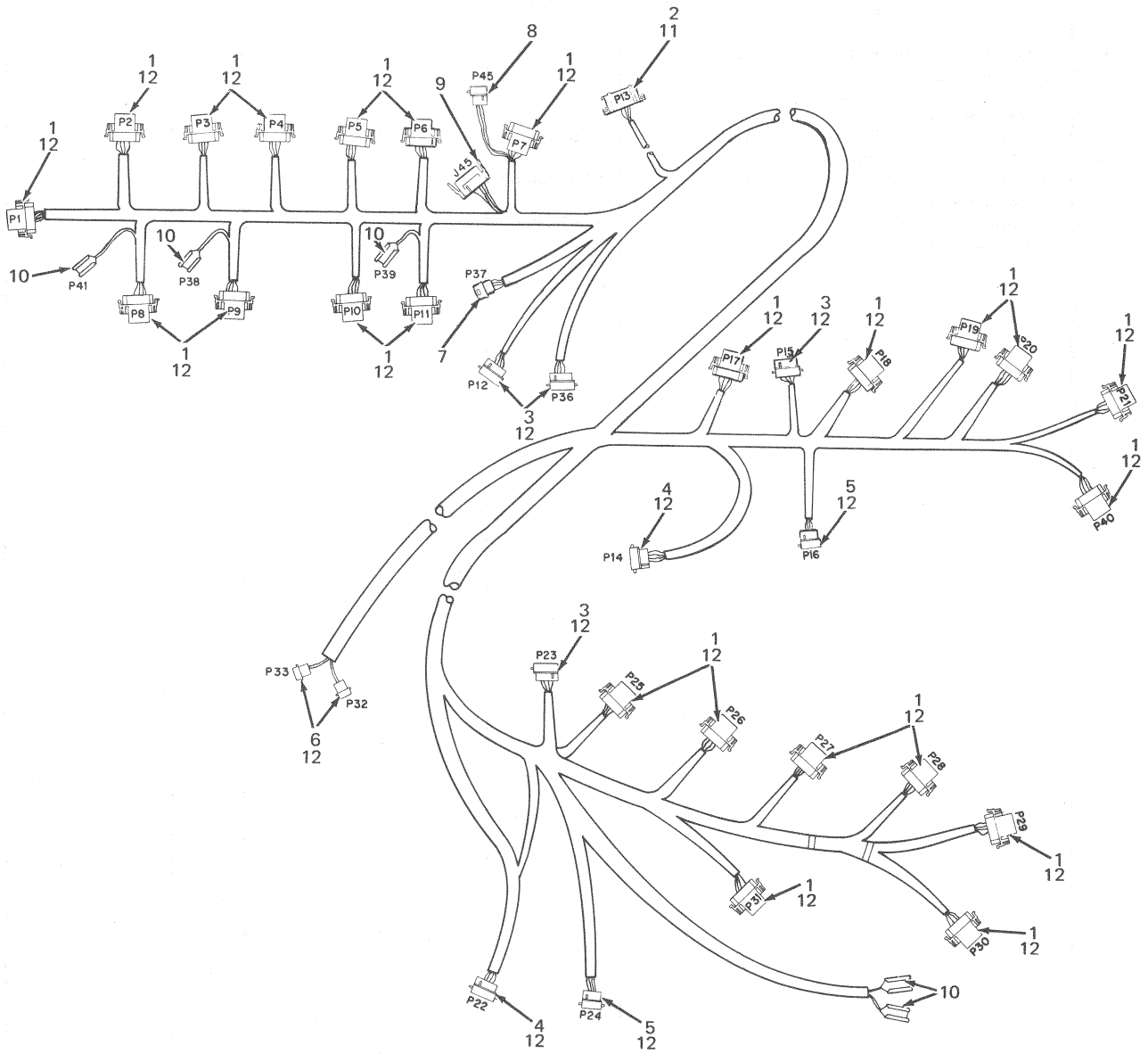


11/45-08

USED ON EQUIPMENT SERIAL NO. 1999 AND BELOW

Figure 4. Power Harness Assembly (11/45)

FIG & ITEM NO.	DESCRIPTION	DEC PART NO.	ECO CUT-IN 70-08784 00000	USED ON CODE	VENDOR CODE	VENDOR PART NO.	REF FIG NO.
4-	POWER HARNESS ASSEMBLY (11/45)	70-08784-00					1
1	*Connector (P1-P13, P17-P21, P25-P31, P36) (Pin Housing) Mate-N-Lok (P36 added)	12-09340-01	00001				
2	*Connector (P14, P22)(Pin Housing) Mate-N-Lok	12-09351-12					
3	*Connector (P15, P23)(Pin Housing) Mate-N-Lok (added)	12-09351-15	11/45-00041				
4	*Connector (P16, P24)(Pin Housing) Mate-N-Lok	12-09351-09					
5	*Connector (P32, P33)(Pin Housing) Mate-N-Lok	12-09351-03					
6	*Connector (P34, P35)Arkless No. 50325 (added)	90-07927-00					
7	*Connector (P37) Arkless (added)	90-07928-00	11/45-00022				
8	*Connector, Arkless (added)	90-07928-01	11/45-00051				
9	*Tie Wrap, Panduit SST-1.5M	90-07880-00					
10	*Tie Wrap, Panduit SST2-M	90-07032-00					
11	*Terminal, Pin Contact	12-09378-01					



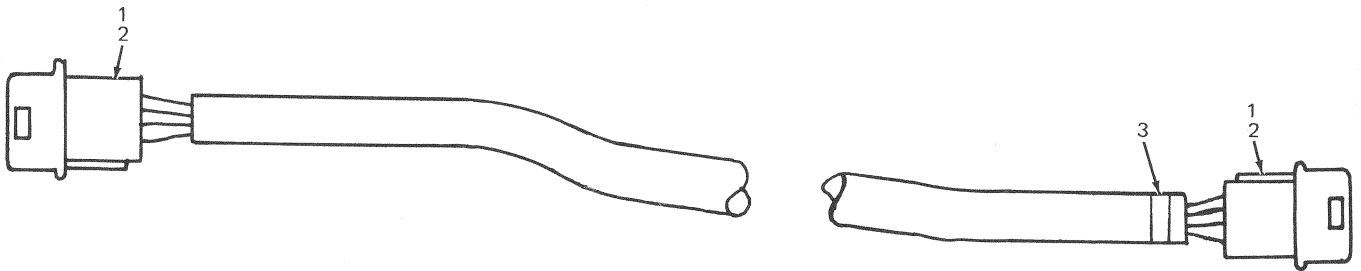
11/45-09

USED ON EQUIPMENT SERIAL NO. 2000 AND ABOVE

Figure 4A. Power Harness Assembly (11/45)

FIG & ITEM NO.	DESCRIPTION	DEC PART NO.	ECO CUT-IN 70-09540 00000	USED ON CODE	VENDOR		REF FIG NO.
					CODE	PART NO.	
4A--	POWER HARNESS ASSEMBLY (11/45)	70-09540-00					1
1	*Connector (P1-P11, P17-P21, P25-P31, P40) (Pin Housing) Mate-N-Lok	12-09340-01					
2	*Connector (P13) (Socket Housing) Mate-N-Lok	12-09340-00					
3	*Connector (P12, P15, P23, P26) (Pin Housing) Mate-N-Lok	12-09351-15					
4	*Connector (P14, P22) (Pin Housing) Mate-N-Lok	12-09351-12					
5	*Connector (P16, P24) (Pin Housing) Mate-N-Lok	12-09351-09					
6	*Connector (P32, P33) (Pin Housing) Mate-N-Lok	12-09351-03					
7	*Connector (P37) (Pin Housing) Mate-N-Lok	12-09351-06					
8	*Connector (P45) (Pin Housing) Mate-N-Lok	12-09351-04					
9	*Connector (J45) (Socket Housing) Mate-N-Lok	12-09350-04					
10	*Connector, Solderless	90-07928-00					
11	*Terminal, Socket Contact	12-09379-00					
12	*Terminal, Pin Contact	12-09378-00					
13	*Tie Wrap	90-07032-00					

FIG & ITEM NO.	DESCRIPTION	DEC PART NO.	ECO CUT-IN 70-08860 00000	USED ON CODE	VENDOR		REF FIG NO.
					CODE	PART NO.	
5-	INTERCONNECT HARNESS ASSEMBLY (860 Power Control)	70-08860-00					1
1	*Connector (P1,P2) (Pin Housing) Mate-N-Lok	12-09351-06					
2	*Pin, Male Mate-N-Lok	12-09378-00					
3	*Tie, Cable, Panduit SST-1.5M	90-07880-00					



11/45-10

Figure 5. Interconnect Harness Assembly (860 P.C.)

DATE	DESCRIPTION	AMOUNT	BALANCE
1950			
1-1	...	...	...
1-15	...	...	...
2-1	...	...	...
2-15	...	...	...
3-1	...	...	...
3-15	...	...	...
4-1	...	...	...
4-15	...	...	...
5-1	...	...	...
5-15	...	...	...
6-1	...	...	...
6-15	...	...	...
7-1	...	...	...
7-15	...	...	...
8-1	...	...	...
8-15	...	...	...
9-1	...	...	...
9-15	...	...	...
10-1	...	...	...
10-15	...	...	...
11-1	...	...	...
11-15	...	...	...
12-1	...	...	...
12-15	...	...	...
1951			
1-1	...	...	...
1-15	...	...	...
2-1	...	...	...
2-15	...	...	...
3-1	...	...	...
3-15	...	...	...
4-1	...	...	...
4-15	...	...	...
5-1	...	...	...
5-15	...	...	...
6-1	...	...	...
6-15	...	...	...
7-1	...	...	...
7-15	...	...	...
8-1	...	...	...
8-15	...	...	...
9-1	...	...	...
9-15	...	...	...
10-1	...	...	...
10-15	...	...	...
11-1	...	...	...
11-15	...	...	...
12-1	...	...	...
12-15	...	...	...

DATE	DESCRIPTION	AMOUNT	BALANCE
1952			
1-1	...	...	...
1-15	...	...	...
2-1	...	...	...
2-15	...	...	...
3-1	...	...	...
3-15	...	...	...
4-1	...	...	...
4-15	...	...	...
5-1	...	...	...
5-15	...	...	...
6-1	...	...	...
6-15	...	...	...
7-1	...	...	...
7-15	...	...	...
8-1	...	...	...
8-15	...	...	...
9-1	...	...	...
9-15	...	...	...
10-1	...	...	...
10-15	...	...	...
11-1	...	...	...
11-15	...	...	...
12-1	...	...	...
12-15	...	...	...





**ILLUSTRATED PARTS BREAKDOWN  
COMMENT SHEET**

Any and all comments and suggestions for correcting errors and/or additional information to improve this manual will be reviewed and researched for possible use when this manual is revised and/or reprinted. Enter your comments and suggestions in the form provided below and return to Technical Documentation.

MODEL \_\_\_\_\_

PUBLICATION NO. \_\_\_\_\_

FIGURE NO. \_\_\_\_\_ ITEM NO. \_\_\_\_\_

FIGURE NO. \_\_\_\_\_ ITEM NO. \_\_\_\_\_

CHANGE FROM \_\_\_\_\_

CHANGE FROM \_\_\_\_\_

CHANGE TO \_\_\_\_\_

CHANGE TO \_\_\_\_\_

FIGURE NO. \_\_\_\_\_ ITEM NO. \_\_\_\_\_

FIGURE NO. \_\_\_\_\_ ITEM NO. \_\_\_\_\_

CHANGE FROM \_\_\_\_\_

CHANGE FROM \_\_\_\_\_

CHANGE TO \_\_\_\_\_

CHANGE TO \_\_\_\_\_

FIGURE NO. \_\_\_\_\_ ITEM NO. \_\_\_\_\_

FIGURE NO. \_\_\_\_\_ ITEM NO. \_\_\_\_\_

CHANGE FROM \_\_\_\_\_

CHANGE FROM \_\_\_\_\_

CHANGE TO \_\_\_\_\_

CHANGE TO \_\_\_\_\_

ADDITIONAL COMMENT(S)

Name \_\_\_\_\_

Cost Center \_\_\_\_\_

date: \_\_\_\_\_

Fold Here

Do Not Tear - Fold Here and Staple

FIRST CLASS  
PERMIT NO. 33  
MAYNARD, MASS.

BUSINESS REPLY MAIL  
NO POSTAGE STAMP NECESSARY IF MAILED IN THE UNITED STATES

Postage will be paid by:

Digital Equipment Corporation  
Technical Documentation Department  
Digital Park, PK3-2  
Maynard, Massachusetts 01754

