

AUTOMATED BY FRTLS1.D(4)

PARTS LIST

SHEET 33 OF 33

LINE ITEM DOCUMENT NUMBER

PART NUMBER

DESCRIPTION

QTY PER VARIATION

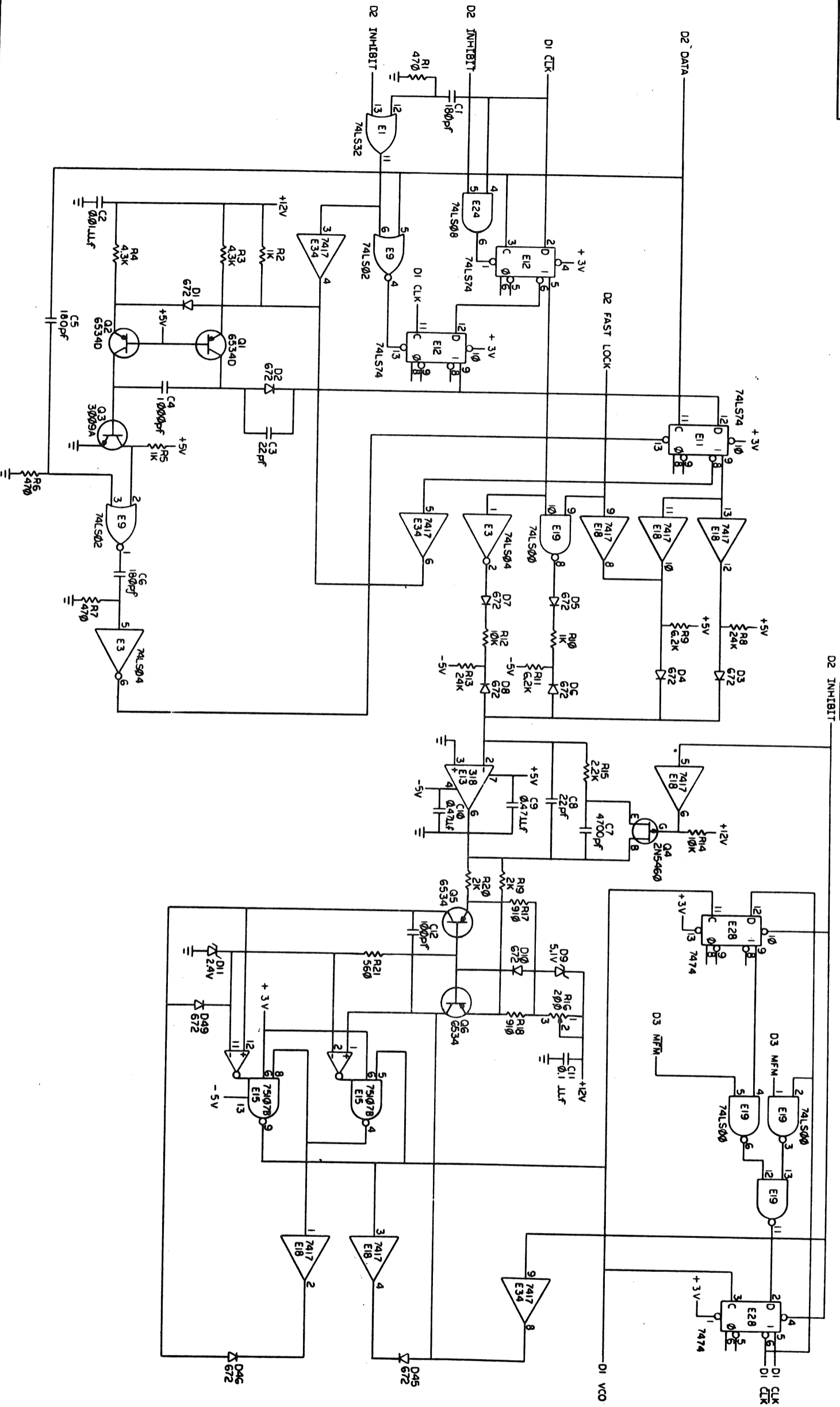
REFERENCE DESIGNATOR

LINE ITEM	DOCUMENT NUMBER	PART NUMBER	DESCRIPTION	QTY PER VARIATION	REFERENCE DESIGNATOR
73	80	1302391-00	20.0 K	1	R104
74	82	1309094-00	100.0	2	R77
75	84	1313476-00	51.10 K	2	R119,R120
76	85	1315322-00	200.0	2	R51,R53
77	86	1312930-00	5.10 K	2	R64,R65
78	87	1301320-00	1.20 K	4	R66,R67
79	88	1314847-00	62.0	13	R82,R85,R95,R98
80	89	1300496-00	15.0 K	1	R33-R37,R68-R75
81	90	1212204-00	HEADER,156 2POS RT ANGLE	1	R122
82	91	1209941-06	HEADER,100 20POS RT ANGLE	1	J2
83	92	1213488-02	CONN 20POS HOUSING, STRAIGH	1	J1
84	93	1214993-01	HEADER 40POS RT ANGLE MODIFI	2	J5,J6
85	94	9006010-01	SCREW,FAN,PHIL 4-40X 5/16 SS	2	J3,J4
86	95	9006557-00	NUT,KEP 4-40X 1/4 AF	9	
87	96	9009769-00	WASHER, RECTANGULAR .405X.225X.0	9	
88	97	9105740-55	*** THIS ITEM IS NOT USED ***	-	
89	98	1300417-00	2.20 K	1	R15
90	99	1300439-00	3.30 K	8	R25,R29,R32,R39,R40,R44,R123, R124
91	104	1305374-00	910.0	2	R17,R18
92	105	1309143-05	200.0	1	R16
93	106	1303312-00	10.0 K	2	R108,R114
94	107	1905547-00	7474	1	E28
95	108	1905575-00	7400	1	E37
96	109	1910155-00	DEC 7408	1	E51
97	110	1910435-00	DEC 74123	1	E4
98	111	1303177-00	2.40 K	1	R126
99	112	1012312-01	.47 MFD	2	C9,C10
100	113	1010978-36	.1 MFD	1	C11
101	114	1210244-00	*** THIS ITEM IS NOT USED ***	-	
102	115	9107301-11	*** THIS ITEM IS NOT USED ***	-	
103	116	D-CS-M7745-0-1	CIRCUIT SCHEMATIC	REF	
104	117	D-UA-M7745-0-0	UNIT ASSEMBLY	REF	
105	118	B-DD-M7745-0-0	DRAWING DIRECTORY	REF	
106	119	D-EC-5012956-0-0	ETCH CUT DRAWING	REF	

D	I	S	I	T	A	L	TITLE	SECTION	A	OF	A	SIZE	CODE	DOCUMENT NUMBER	REV
							RX02 R/W CONTROL					K	PL	M7745-0-DBP	J

THIS DRAWING AND SPECIFICATIONS, HEREIN, ARE THE PROPERTY OF THE UNITED STATES GOVERNMENT AND ARE LOANED TO YOU BY THE NATIONAL BUREAU OF STANDARDS. IT IS TO BE USED FOR THE EXACT PURPOSES AND FOR WHICH IT WAS DESIGNED. IT IS NOT TO BE REPRODUCED OR TRANSMITTED IN ANY FORM OR BY ANY MEANS, ELECTRONIC OR MECHANICAL, INCLUDING PHOTOCOPYING, RECORDING, OR BY ANY INFORMATION STORAGE AND RETRIEVAL SYSTEM, WITHOUT PERMISSION IN WRITING FROM THE NATIONAL BUREAU OF STANDARDS.

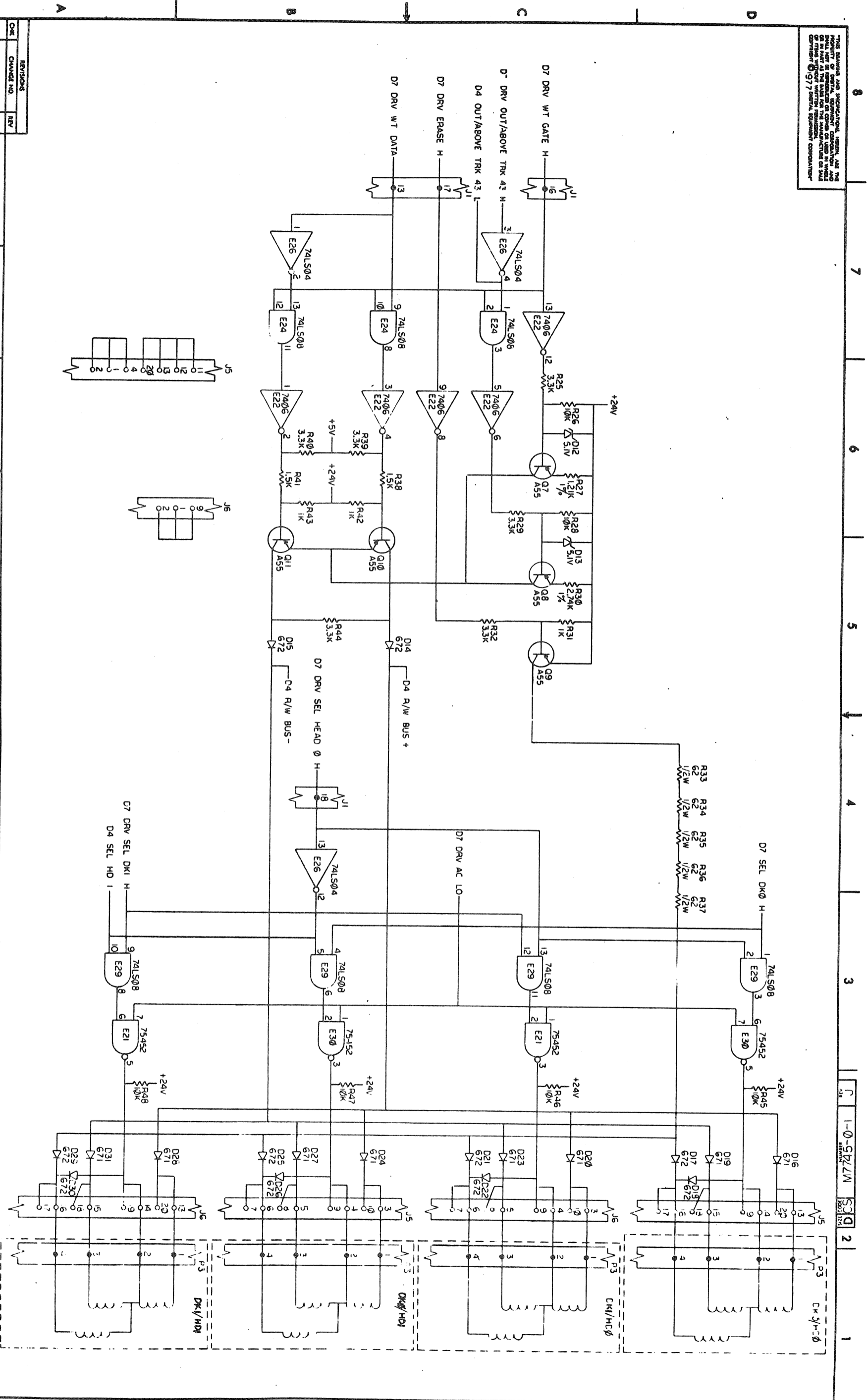
REVISIONS		
CHG	CHANGE NO.	REV.
266	00001	B
A. ANDERSON 12/1/78 07/05/78		
M7745-ML002 9-13-78		
A. ANDERSON 12/1/78 9-13-78		
M7745-ML003 12/1/78 9-13-78		
C. YOUSE		
M7745-ML004 12/1/78 9-13-78		
C. YOUSE		
M7745-ML005 12/1/78 9-13-78		
JOHN GLAVIN		
M7745-ML006 12/1/78 9-13-78		
AL ANDERSON		
M7745-ML007 12/1/78 9-13-78		
DUNCAN POWER		



DRN/As. 10/18/78	FILED UNDER	RX02	4100840
CHG TO 2-3	1/17/78	ENCL. 2	
PROJ. ENCL. 10/18/78	10/18/78	PROJ. NO. 10/18/78	
PROJ. NO. 10/18/78	10/18/78	PROJ. NO. 10/18/78	
NEXT HIGHER ASBY.			
B-D0-M7745-0			
SCALE 1	OF 7	SHEET NO.	1
D CS		M7745-0-1	J
REV.			

CS M7745-0-1 J

THIS DRAWING AND SPECIFICATIONS, HEREON, ARE THE PROPERTY OF BENTON, BENDIS, ROBERTSON, CONANT AND COMPANY, INC. NO PART OF THIS DRAWING OR SPECIFICATIONS OR THESE WITHOUT WRITTEN PERMISSION OF BENTON, BENDIS, ROBERTSON, CONANT AND COMPANY, INC. (1977) BENTON, BENDIS, ROBERTSON, CONANT AND COMPANY, INC.



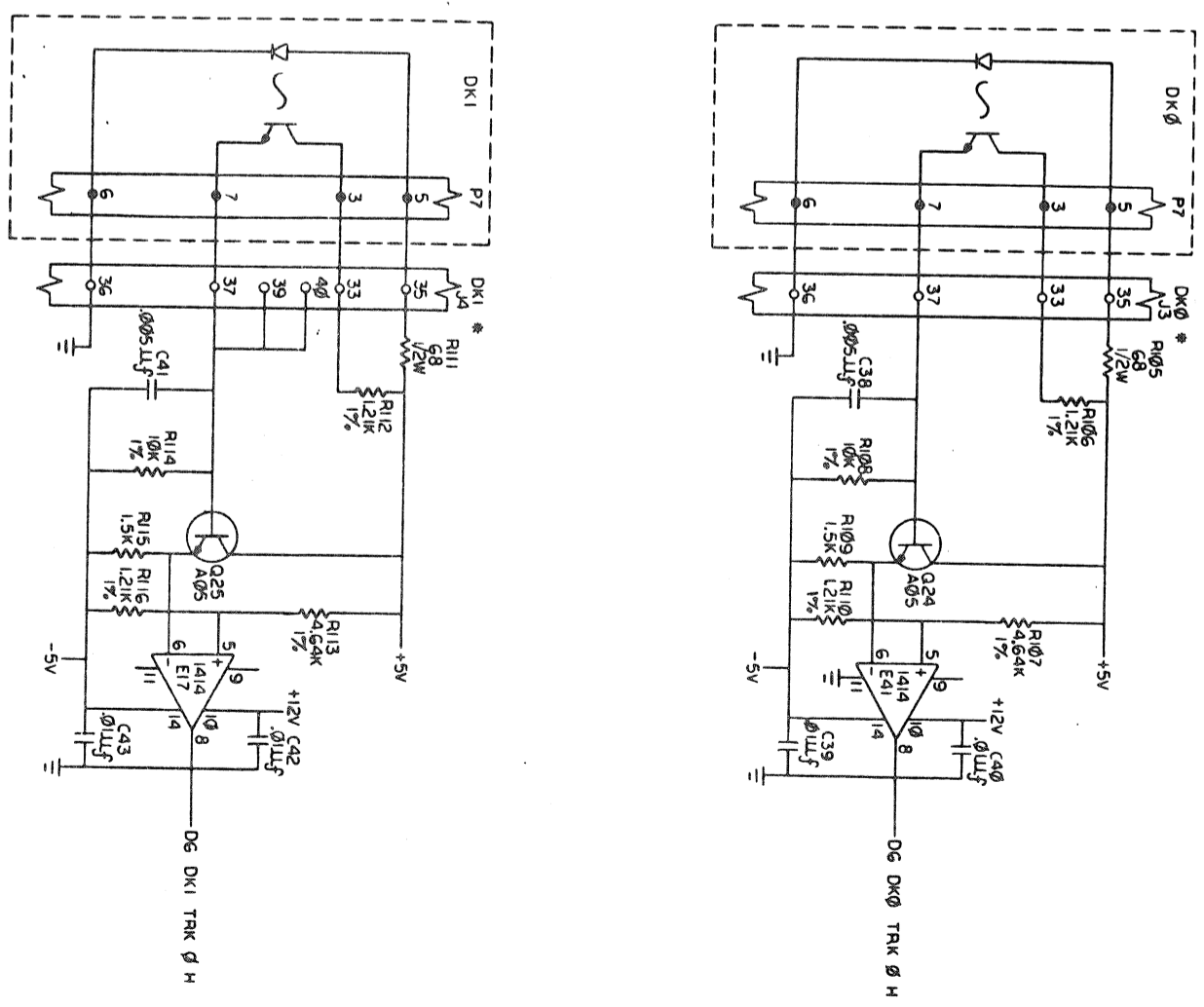
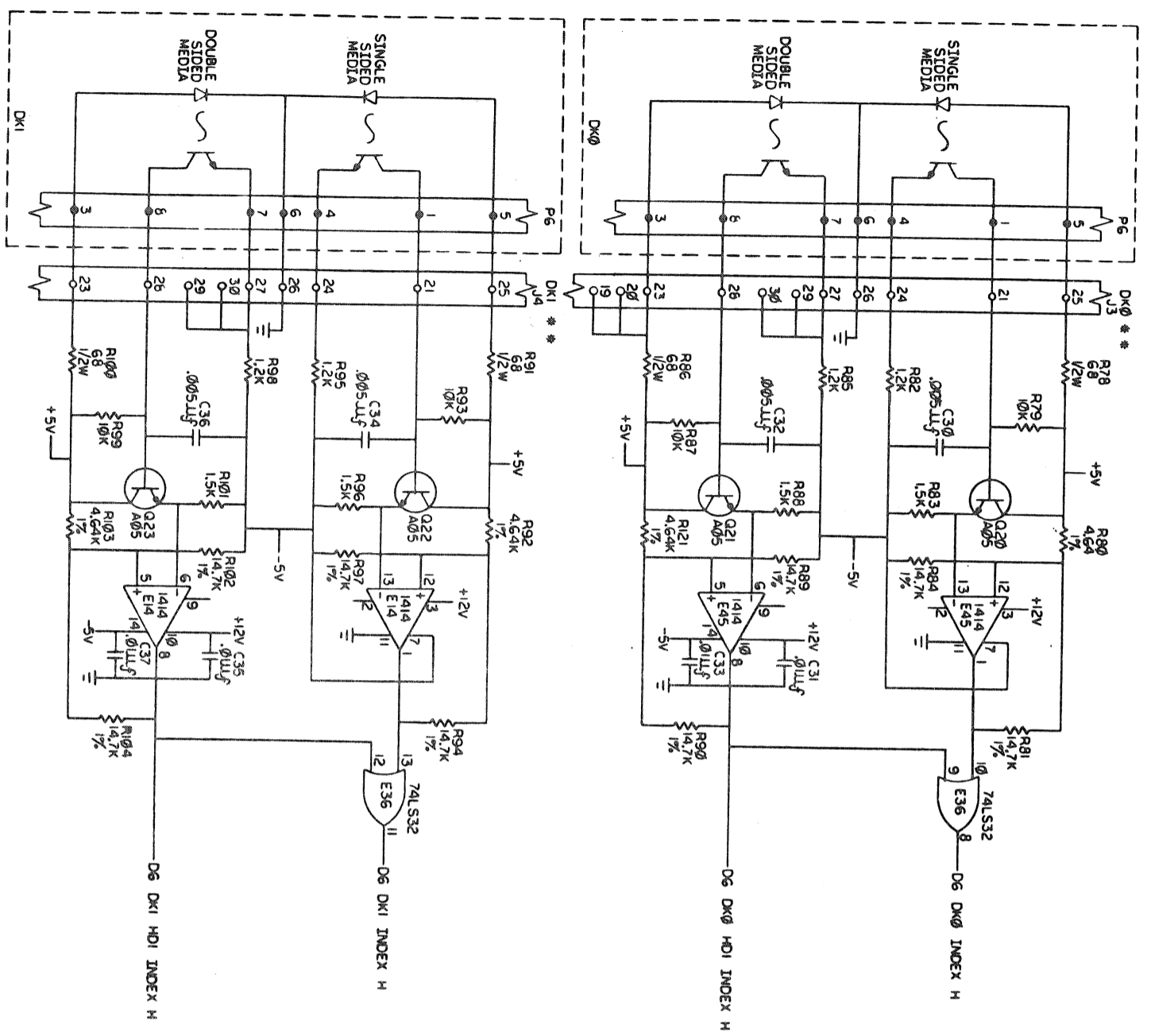
REVISIONS	
CHK	CHANGE NO.
REV	

TITLE		SCALE		SHEET		SIZE		NUMBER		REV.	
REAC/WRITE CONTROL		4 OF		4 OF		D		M7745-0-1		1	

35

35

THIS DRAWING AND SPECIFICATION, HEREIN, ARE THE PROPERTY OF THE UNITED STATES GOVERNMENT AND ARE TO BE REPRODUCED AND TRANSMITTED IN ANY FORM OR BY ANY MEANS, ELECTRONIC OR MECHANICAL, INCLUDING PHOTOCOPYING, RECORDING, OR BY ANY INFORMATION STORAGE AND RETRIEVAL SYSTEM, WITHOUT PERMISSION IN WRITING FROM THE ASSISTANT SECRETARY OF DEFENSE (ASST. SEC. DEF.), OFFICE OF MILITARY AND AIRCRAFT DEVELOPMENT, WASHINGTON, D.C. 20315-5000.

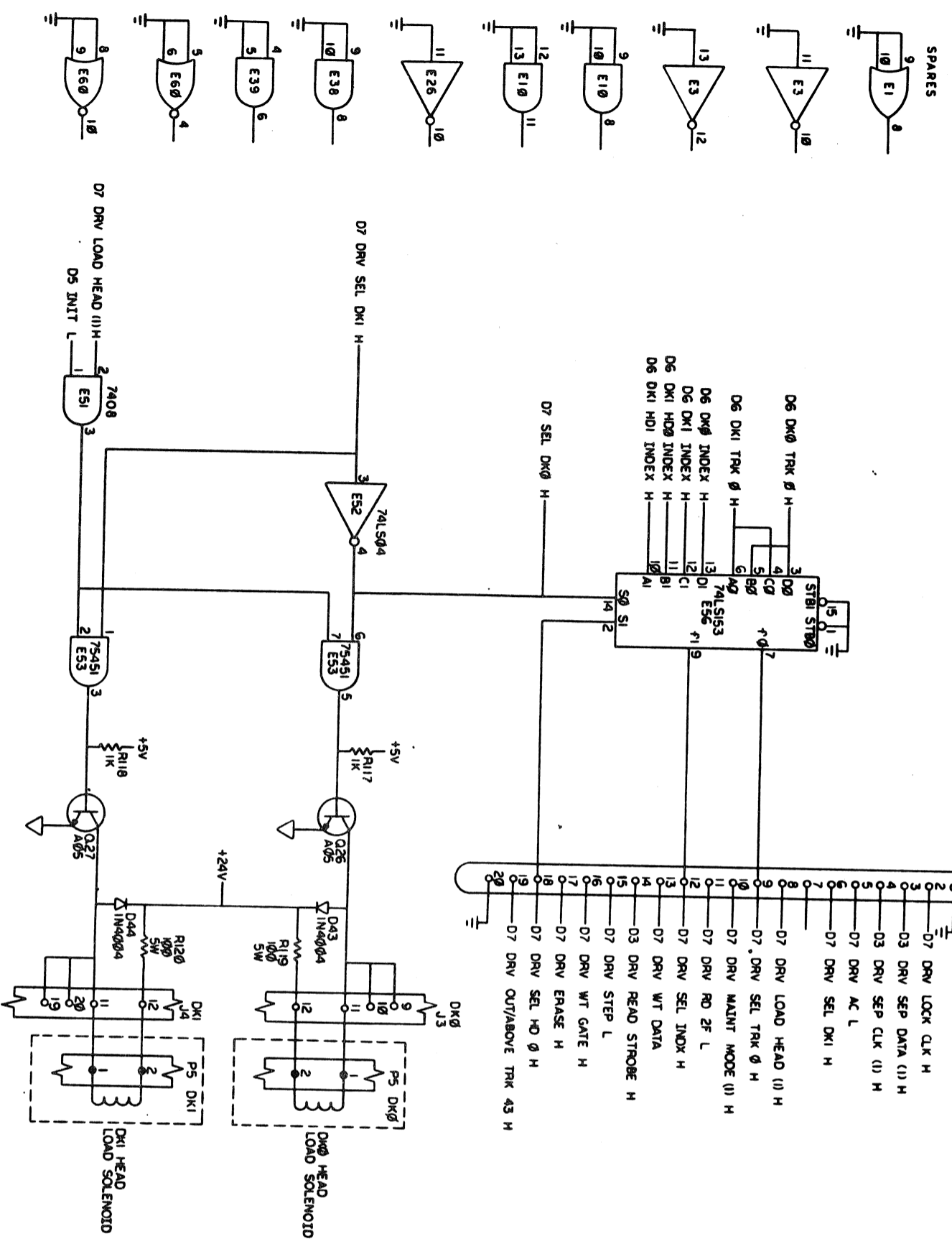


NOTE:
 * P7-PIN 4 LOCATION IS USED FOR KEY
 * P6-PIN 2 LOCATION IS USED FOR KEY

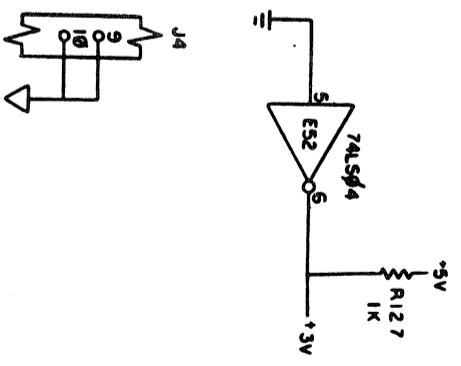
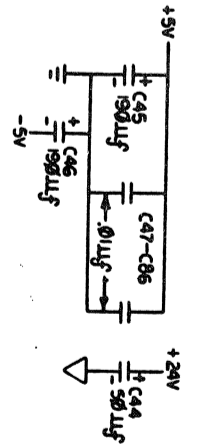
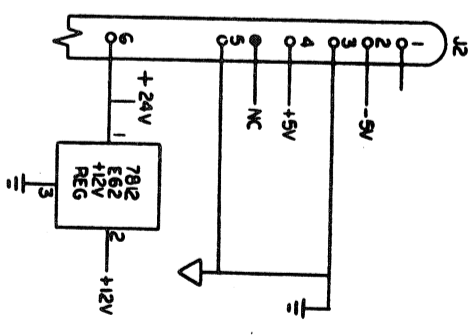
REV.	CHANGED NO.	BY

TITLE	SCALE	SHEET	OF	7
READ/WRITE CONTROL (D6)				
SIZE/COORD	DIST.	NUMBER	REV.	
DCS		M7745-0-1	J	

THIS DRAWING AND SPECIFICATION, DESIGN, AND THE PROPERTY OF BENTLEY SYSTEMS CORPORATION AND IS NOT TO BE REPRODUCED OR TRANSMITTED IN ANY FORM OR BY ANY MEANS, ELECTRONIC OR MECHANICAL, INCLUDING PHOTOCOPYING, RECORDING, OR BY ANY INFORMATION STORAGE AND RETRIEVAL SYSTEM. © 1977 BENTLEY SYSTEMS CORPORATION



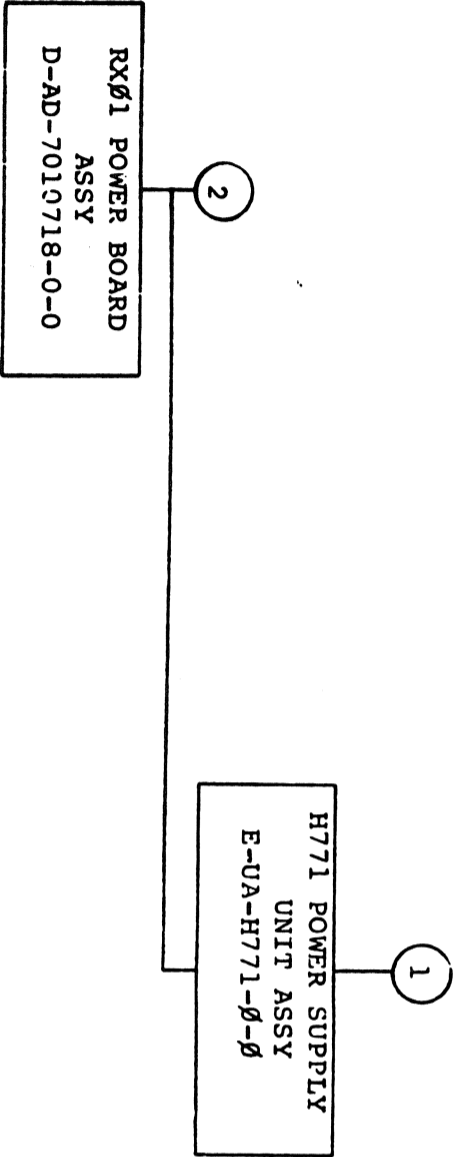
* NOTE:
 DK0 AND DK1 J3-J4
 SPARE PINS ARE
 PINS 3, 4, 5, 6, AND 7.
 PIN 8 LOCATION
 IS FOR KEY.



REV	CHANGED NO.	REVISIONS

TTTLA
 READ/WRITE CONTROL (07)
 DCS M7745-0-1
 REV. J

DCS M7745-0-1



TITLE	H771 POWER SUPPLY	SHEET 20F 3	SIZE CODE B DD	NUMBER H771-Ø	REV F
-------	-------------------	-------------	-------------------	------------------	----------