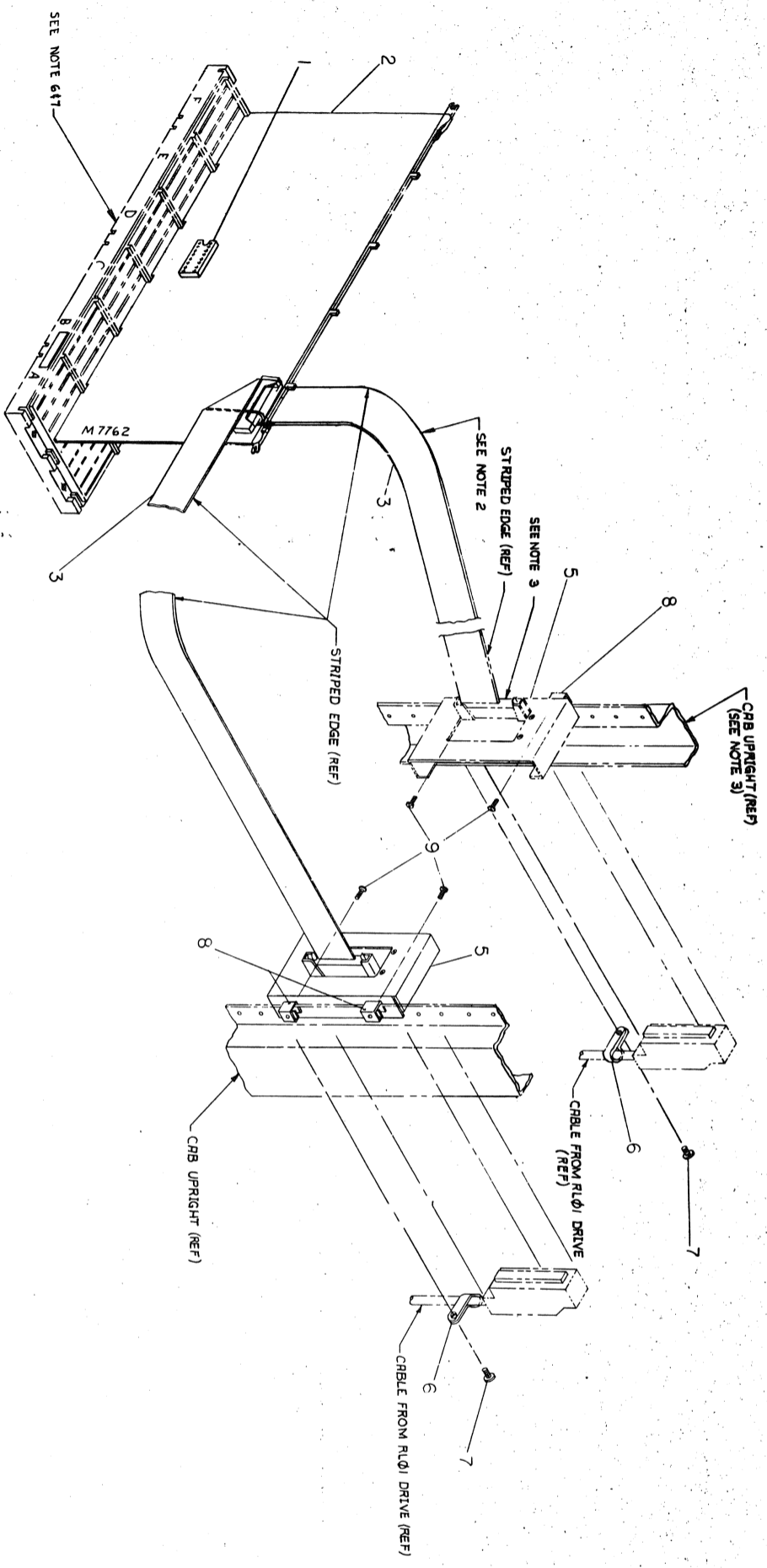


TITLE	RLI1 CONTROLLER ASSY	SHEET 2 OF 3	SIZE CODE B	DD	NUMBER RLI1-Ø	REV *
-------	----------------------	--------------	----------------	----	------------------	----------

REVISIONS
 CHG NO. REV.
 000002 A
 C.L.L.U.
 2-18-79



- NOTES:**
1. TERMINATOR R55V (ITEM #1) TO BE INSTALLED IN CABLE CUT LOCATION IN LAST DRIVE OF SUB-SYSTEM.
 2. WHEN INSTALLED IN BALL OR BALL EXPANSION BOX, BC @ 8R (ABLE (ITEM #3) SHOULD BE FOLDED 90° AND ROUTED UP OUT OF THE BOX AS SHOWN.
 3. WHEN ALTERNATE MOUNTING POSITION IS USED CONNECTOR IN TRANSITION SHOULD BE PLUGGED INTO POSITION IN R DOWNWARD POSITION AS SHOWN.
 4. ITEM #3 THROUGH ITEM #10 SHOULD BE ASSEMBLED AT THIS POINT BUT MUST BE SHIPPED WITH UNIT FOR RESEMBLY AT INSTALLATION.
 5. PRIORITY JUMPER R55V (ITEM #1) TO BE PLUGGED INTO M7762 AT FINAL ASSY OCCUPY ONE HEX 51C SLOT.
 6. THE RLU MODULE (M7762) WILL
1. JUMPER WIRE FROM CA1 TO CB1 ON THE SPC BACKPLANE MUST BE REMOVED AT INSTALLATION.

REV.	CHG NO.	REV.
000002	A	

QTY	DESCRIPTION	UNIT	REV.
1	UNIT SELECT BLUE KIT	B-B-70243B-C-0	1
2	SCREW, PAN TMS 10/0.50, 304	3041018-03	9
1	UNIT SPRING #10-31	300776-00	8
1	SCREEN, THERMISTOR, 300418-01	300418-01	7
1	CABLE, 100' 100-10-02	100-10-02	6
1	TRANSITION SOCKET ASSY	CD-10215-9-0	5
1	TERMINATOR R55V	7A-101215-9-0	4
1	CABLE R55V	DUN-EQU-99A	3
1	RLU CONTROLLER	DUN-W7762-0-0	2
1	PRIORITY JUMPER R55V	110-517B	1

REVISIONS

REV.	CHG NO.	REV.
000002	A	

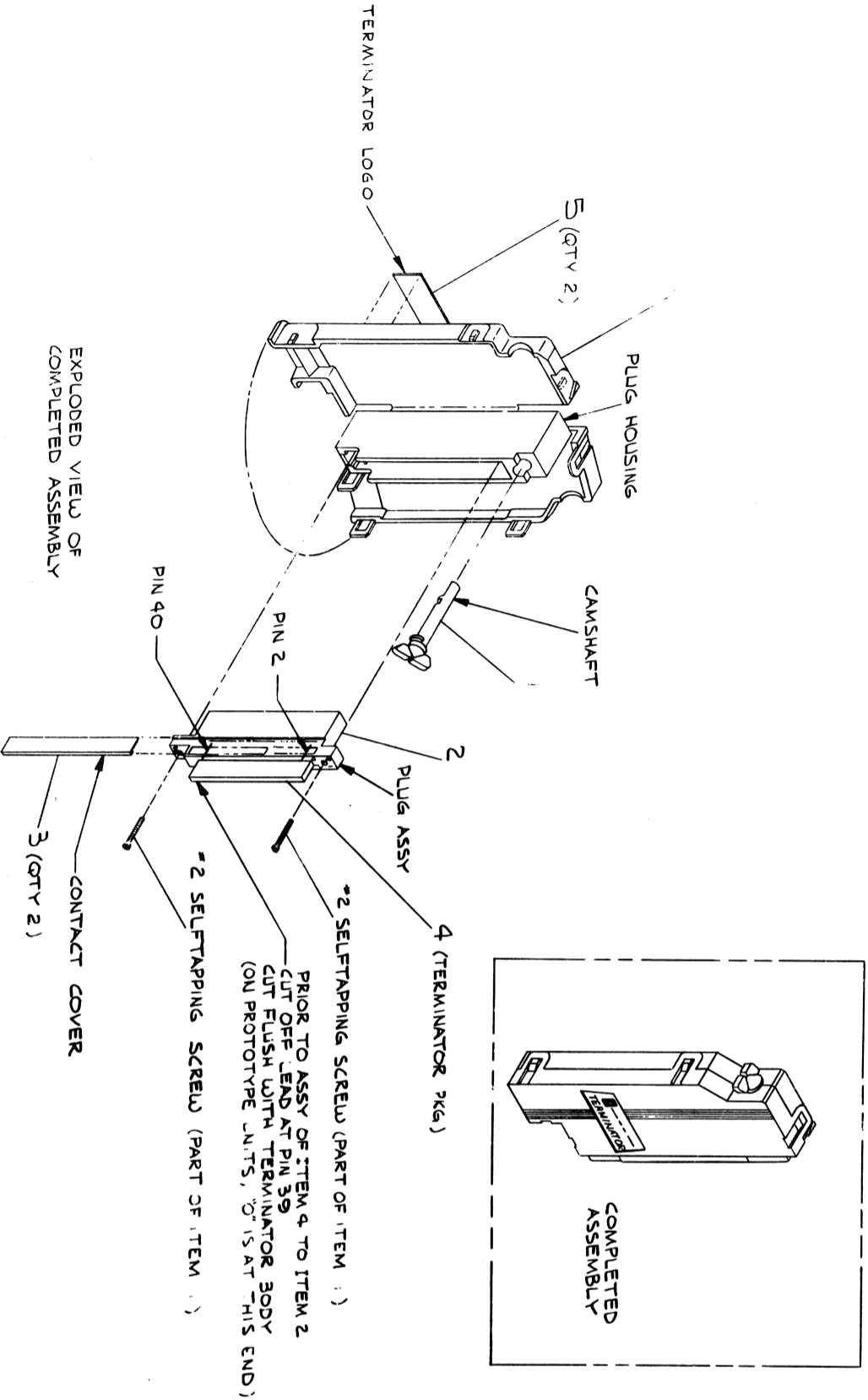
CONTROLLER ASSY

DO NOT SCALE DIMS

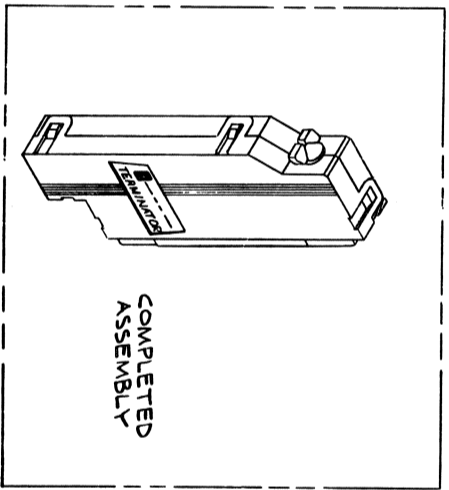
DATE: 2-18-79

BY: C.L.L.U.

THIS DRAWING AND SPECIFICATION, HEREIN, ARE THE PROPERTY OF DIGITAL EQUIPMENT CORPORATION AND ARE TO BE USED ONLY FOR THE MANUFACTURE OR SALE OF ITEMS WHICH DIGITAL EQUIPMENT CORPORATION HAS SPECIFICALLY AUTHORIZED. WITHOUT PERMISSION, CORPORATION



EXPLODED VIEW OF COMPLETED ASSEMBLY



COMPLETED ASSEMBLY

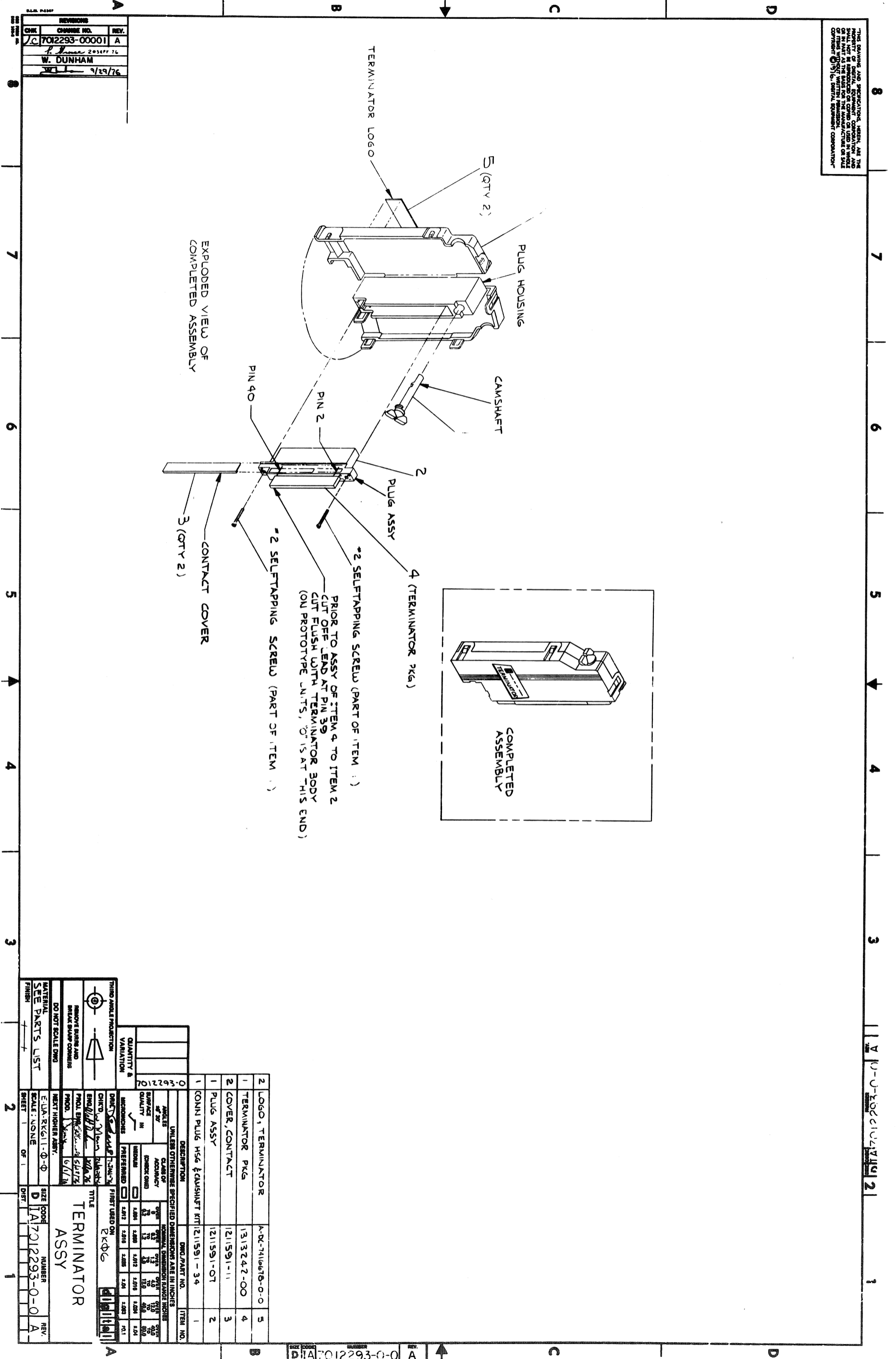
REVISIONS		
CHK	CHANGE NO.	REV.
W. Dunham	7012293-00001	A
20 SEPT 76		
W. DUNHAM		
9/29/76		

QTY	DESCRIPTION	DMC/PART NO.	ITEM NO.
2	LOGO, TERMINATOR	K-DL-741647b-0-0	5
1	TERMINATOR PKG	1313242-00	4
2	COVER, CONTACT	121591-11	3
1	PLUG ASSY	121591-07	2
1	CONN PLUG HSG & CAMSHAFT KIT	121591-34	1

UNLESS OTHERWISE SPECIFIED DIMENSIONS ARE IN INCHES	DIMENSIONS	
ANGLES	MIN	MAX
APPROXIMATE	±0.005	±0.010
FINISH	±0.005	±0.010
PLACEMENT	±0.005	±0.010
QUALITY	±0.005	±0.010
REWORK	±0.005	±0.010
REVISIONS	±0.005	±0.010
PREFERRED	±0.005	±0.010
VAR.	±0.005	±0.010

THIRD ANGLE PROJECTION	REMOVE BURRS AND BREAK SHARP CORNERS	DO NOT SCALE DIMS	MATERIAL	SEE PARTS LIST	FINISH
			E-1A-RK611-Φ-Φ		

DMC	CHK'D	ENG	PROJ	DATE	TITLE
0622710	W. Dunham	W. Dunham	W. Dunham	9/29/76	TERMINATOR ASSY



DIA 7012293-0-0 A

REV. H
 NUMBER 0-2911M
 SIZE CODE 00 B
 SHEET 1 OF 1

DRAWING NO. OF SHEETS
PART NO.
DESCRIPTION

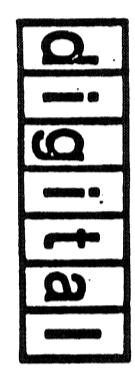
B-DD-M7762-0	1		RL11 CONTROLLER
D-UA-M7762-0-0	5		RL11 CONTROLLER
B-PI-M7762-0-0	5		RL11 CONTROLLER
D-CS-M7762-0-1	11		RL11 CONTROLLER
D-BD-M7762-0-2	1		RL11 CONTROLLER BLOCK DIAGRAM
D-FD-M7762-0-3	3		RL11 CONTROLLER FLOW DIAGRAM
D-TD-M7762-0-4	13		RL11 CONTROLLER TIMING DIAGRAM
D-MD-5012167-0-0	5	5012167	DRILL & ETCH DWG.
M7762-0-1L			ETCHED CIRCUIT BOARD
M7762-0-PL			P.C. DESIGN DATA BASE
M7762-0-PL			INSERTION P/L DATA BASE

REVISIONS

REV.	DATE	CHG NO.	REV.	A	B	C	BI	D	E	F	F	H
			ORIG									
	9-77	M7762-00001	A									
	11-77	M7762-00002	B									
	2-78	M7762-00003	C									
	2-MAR-78	M7762-07004	BI									
	27-APR-78	M7762-07005	D									
	6-MAY-78	M7762-07006	E									
	3-AUG-78	M7762-07007	F									
	3-AUG-78	M7762-07008	F									
	9-AUG-78	M7762-07009	H									

NOTES: * REV F FOR B-DD-M7762-0 WAS ASSIGNED FOR BOTH ECO M7762-CZ007 AND M7762-CZ008.

"THIS DRAWING AND SPECIFICATIONS, HEREIN, ARE THE PROPERTY OF DIGITAL EQUIPMENT CORPORATION AND SHALL NOT BE REPRODUCED OR COPIED OR USED IN WHOLE OR IN PART AS THE BASIS FOR THE MANUFACTURE OR SALE OF ITEMS WITHOUT WRITTEN PERMISSION. COPYRIGHT © 1978, DIGITAL EQUIPMENT CORPORATION"



USED ON OPTION/MODEL: RL11

DRN: D. Mayuski

CHKD: D. Swanson

ENG: K. L. Fin

PROD: K. J. Smith

DATE: 2/Mar/78

DATE: 2 Apr 78

DATE: 8 Apr 78

TITLE: RL11 CONTROLLER

SIZE CODE: BDD

NUMBER: M7762-0

REV. H

