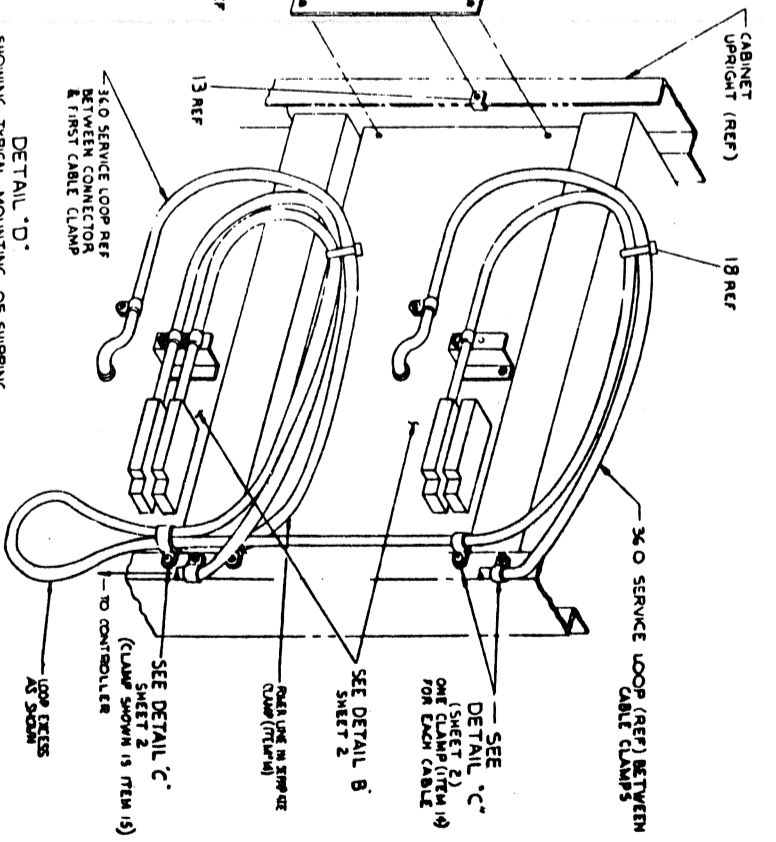
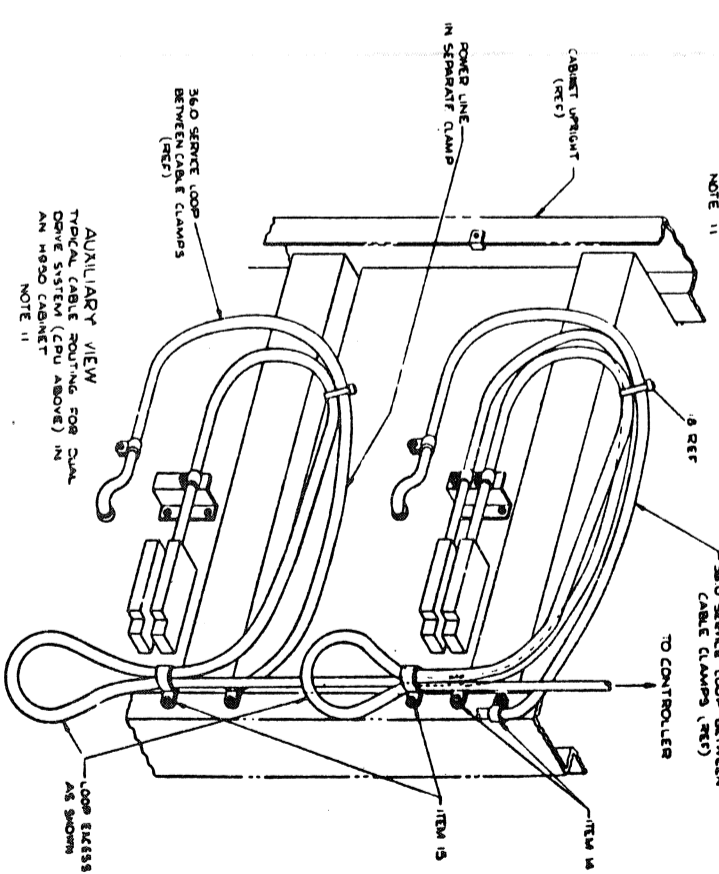


DETAIL 'E'  
SHOWING CABLE ROUTING FOR DUAL DRIVE SYSTEMS IN AN H9501 CABINET  
NOTE 11

SEE DETAIL 'C' (SHEET 2) CLAMP EACH CABLE ABOVE SUPPORT BRACKET (ITEM 14)



DETAIL 'D'  
SHOWING TYPICAL MOUNTING OF SHIPPING BRKT (ITEM 7) AND CABLE ROUTING FOR DUAL DRIVE SYSTEM (CPU BELOW) IN AN H9502 CABINET  
NOTE 11



DISK DRIVE M/G KIT & CARTRIDGE  
8 JUL 68  
RL82-AK-6  
C

RL82-AK-6