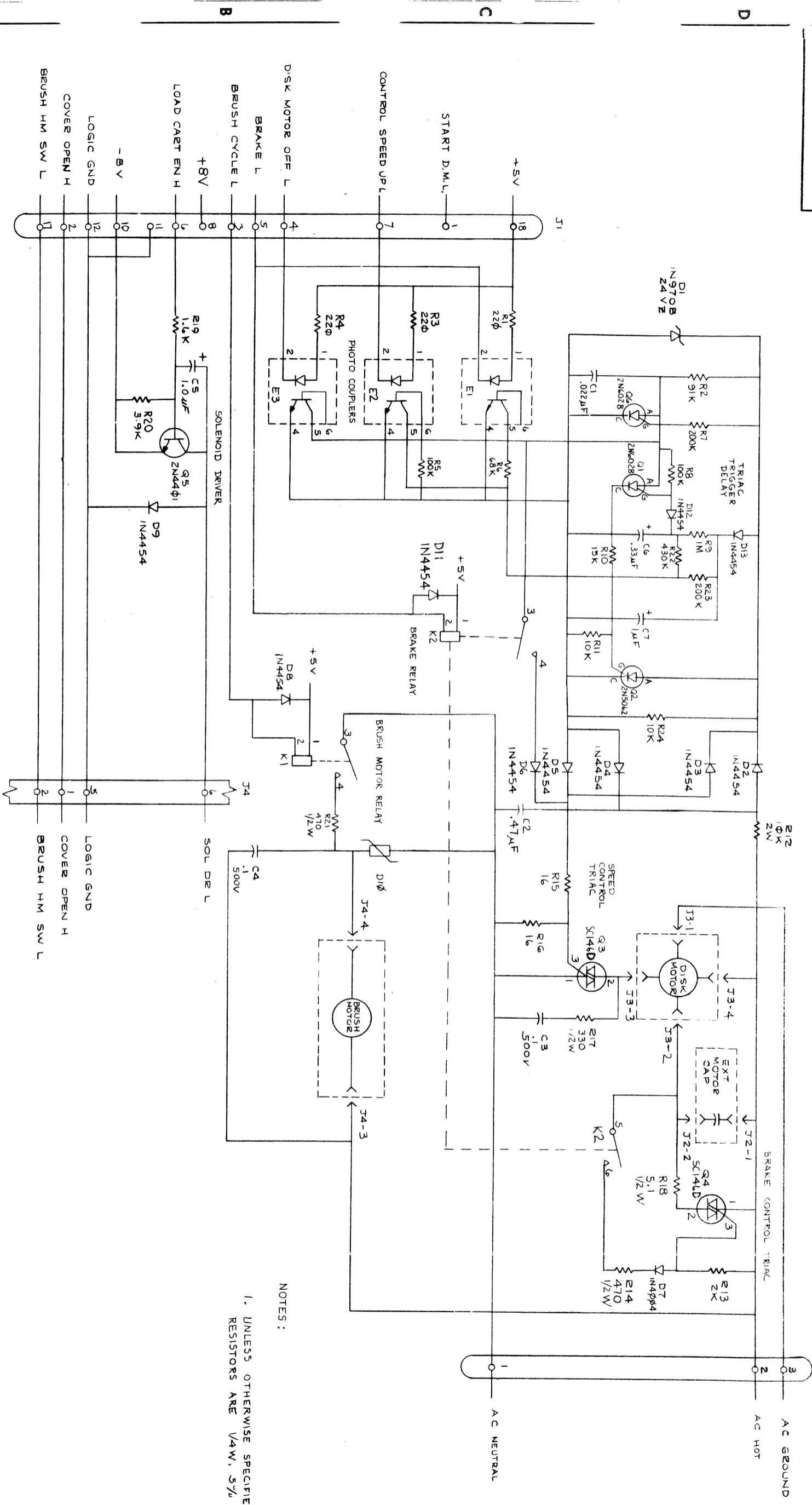


THIS DRAWING AND SPECIFICATIONS, HEREIN, ARE THE PROPERTY OF THE MANUFACTURER AND ARE NOT TO BE REPRODUCED OR COPIED OR USED IN ANY MANNER WITHOUT THE WRITTEN CONSENT OF THE MANUFACTURER. THE MANUFACTURER ASSUMES NO LIABILITY FOR THE MANUFACTURE OR SALE OF EQUIPMENT WHICH DOES NOT CONFORM TO THESE SPECIFICATIONS.



NOTES:
1. UNLESS OTHERWISE SPECIFIED:
RESISTORS ARE 1/4W, 5%

CHK	CHANGE NO.	REV.
1		U
2		D

REVISIONS

5411848-0001
PHYLIS BURNELL
G. REICHENBERG
5411848-CX000
L. BURNELL
5411848-CZ003
M. ZARICH
M. Zarich

DRN.	DATE	BY	TITLE
1	1-14-77	W. J. BURNELL	AC SERVO
2	1-8-77	G. REICHENBERG	AC SERVO
3	1-8-77	M. ZARICH	AC SERVO

AC SERVO

SCALE: 1" = 1"

SHEET 1 OF 1

REV.	NUMBER	DATE
1	1	1-14-77
2	2	1-8-77
3	3	1-8-77

AC SERVO

SCALE: 1" = 1"

SHEET 1 OF 1

8 7 6 5 4 3 2 1

8 7 6 5 4 3 2 1

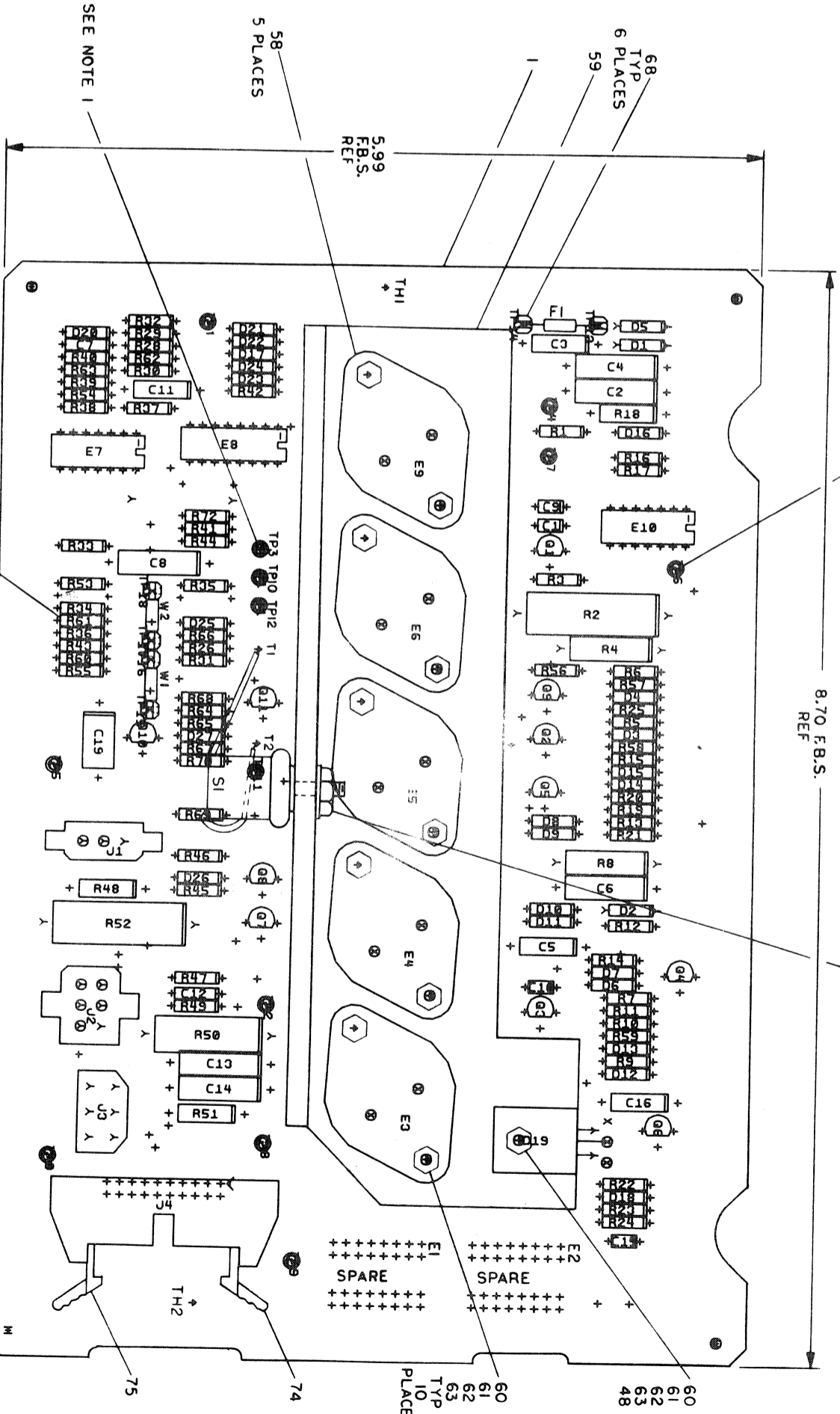
5411848-0-1

1978
 5413534-0-0
 DC SERVO & POWER SUPPLY

8 7 6 5 4 3 2 1
 B 0-0-4353195 VJ D 2 1
 COMPONENT SIDE VIEW

- NOTES:
1. TP3, TP1, & TP2 ARE TO BE MOUNTED ON SIDE 2.
 2. R60 AND R61 ARE TO BE INSTALLED AFTER FINAL TEST.
 3. INSTALL W1 AND W2 FOR RLO1. INSTALL W2 ONLY FOR RLO2.

CHK	CHANGE NO	REV
	5413534-0200	B
	BOB NOGUCHI	



SIGNATURES		DATE
GRN. <i>[Signature]</i>	<i>[Signature]</i>	8/13/78
CHK. D. <i>[Signature]</i>	<i>[Signature]</i>	8/13/78
ENG. <i>[Signature]</i>	<i>[Signature]</i>	8/13/78
PROD. <i>[Signature]</i>	<i>[Signature]</i>	8/13/78
CR. <i>[Signature]</i>	<i>[Signature]</i>	8/13/78
TITLE		DC SERVO & POWER SUPPLY
SIZE CODE	NUMBER	5413534-0-0
D	UA	REV B
NEXT: HD PAPER RSVY-B-00-5413534-0		
2	3	1 MS#291-021

8 7 6 5 4 3 2 1
 A B C D

DJA 5413534-0-0
 B
 60 61 62 63 48
 TYP 10 PLACES

LINE ITEM DOCUMENT NUMBER PART NUMBER DESCRIPTION QTY PER VARIATION REFERENCE DESIGNATOR

1	1	D-MD-5013533-0-0	5013533-00	ETCHED CIRCUIT BOARD	1		
2	2		1013466-08	680.0 MMF 50V 10% CER,	1		C12
3	3		1016009-00	2200 MMF 50V 5% CER,	1		C7
4	4		1001610-00	.01 MFD 50V -20+80 Z5U AXIAL	4		C1,C9,C10,C15
5	5		1002630-00	.015 MFD 100V 10% 563UM MYLR	1		C8
6	6		1013466-11	.22 MFD 50V +80/-20% CER,	4		C3,C5,C11,C16
7	7		1005306-00	6.8MFD 35V 10% S.TANT	4		C4,C6,C13,C14
8	8		1000076-00	39 MFD 10V 10% 150D S.TA	1		C2
9	9		1309422-00	5.1 1/4W 5% CC	1		R58
10	10		1312929-00	62 1/4W 5% CC	2		R3,R23
11	11		1311523-00	110 1/4W 5% CC	1		R22
12	12		1300247-00	120 1/4W 5% CC	1		R13
13	13		1300271-00	220 1/4W 5% CC	1		R59
14	14		1301425-00	300 1/4W 5% CC	1		R55
15	15		1303178-00	620 1/4W 5% CC	1		R6
16	16		1300365-00	1 K 1/4W 5% CC	5		R1,R7,R39,R44,R57
17	17		1300391-00	1.5 K 1/4W 5% CC	1		R5
18	18		1302388-00	2 K 1/4W 5% CC	2		R31,R43
19	19		1300426-00	2.7 K 1/4W 5% CC	2		R46,R47
20	20		1302389-00	4.3 K 1/4W 5% CC	1		R53
21	21		1300447-00	4.7 K 1/4W 5% CC	10		R10-R12,R14,R15,R19,R20,R24,R49,
22	22		1303179-00	8.2 K 1/4W 5% CC	3		R68
23	23		1300488-00	12 K 1/4W 5% CC	4		R9,R16,R17
24	24		1305346-00	27 K 1/4W 5% CC	1		R25,R26,R45,R56
25	25		1305131-00	*** THIS ITEM IS NOT USED ***			R21
26	26		1312923-00	2.10 K 1/4W 1% RN55D-F 100PPM	1		R41
27	27		1305114-00	3.48 K 1/4W 1% RN55D-F 100PPM	1		R34
28	28		1314763-00	4.12 K 1/4W 1% RN55D-F 100PPM	1		R36

REVISION HISTORY BASIC PART NO: 5413534

ENGR	ECO NUMBER	REV	SECTION A OF A	DRN:	JERRY BEST	DATE: 26-JUL-78	TITLE	D	I	G	I	T	A	L
INIT		A	SECTION A	JERRY BEST <td> <td> <td></td> <td></td> <td></td> <td></td> <td></td> <td></td> <td></td> <td></td> </td></td>	<td> <td></td> <td></td> <td></td> <td></td> <td></td> <td></td> <td></td> <td></td> </td>	<td></td> <td></td> <td></td> <td></td> <td></td> <td></td> <td></td> <td></td>								
BN	5413534-CZ001	B	SECTION VARIATION INDEX	JERRY BEST <td> <td> <td></td> <td></td> <td></td> <td></td> <td></td> <td></td> <td></td> <td></td> </td></td>	<td> <td></td> <td></td> <td></td> <td></td> <td></td> <td></td> <td></td> <td></td> </td>	<td></td> <td></td> <td></td> <td></td> <td></td> <td></td> <td></td> <td></td>								
			EAJ 00	<td> <td> <td></td> <td></td> <td></td> <td></td> <td></td> <td></td> <td></td> <td></td> </td></td>	<td> <td></td> <td></td> <td></td> <td></td> <td></td> <td></td> <td></td> <td></td> </td>	<td></td> <td></td> <td></td> <td></td> <td></td> <td></td> <td></td> <td></td>								
			EBJ	DES.ENG: R. NOGUCHI	<td> <td></td> <td></td> <td></td> <td></td> <td></td> <td></td> <td></td> <td></td> </td>	<td></td> <td></td> <td></td> <td></td> <td></td> <td></td> <td></td> <td></td>								
			ECJ	DES.ENG: R. NOGUCHI	<td> <td></td> <td></td> <td></td> <td></td> <td></td> <td></td> <td></td> <td></td> </td>	<td></td> <td></td> <td></td> <td></td> <td></td> <td></td> <td></td> <td></td>								
			EDJ	RESP.ENG: R. NOGUCHI	<td> <td></td> <td></td> <td></td> <td></td> <td></td> <td></td> <td></td> <td></td> </td>	<td></td> <td></td> <td></td> <td></td> <td></td> <td></td> <td></td> <td></td>								
			EEJ	RESP.ENG: R. NOGUCHI	<td> <td></td> <td></td> <td></td> <td></td> <td></td> <td></td> <td></td> <td></td> </td>	<td></td> <td></td> <td></td> <td></td> <td></td> <td></td> <td></td> <td></td>								
			EFJ	DATE: 26-JUL-78	<td> <td></td> <td></td> <td></td> <td></td> <td></td> <td></td> <td></td> <td></td> </td>	<td></td> <td></td> <td></td> <td></td> <td></td> <td></td> <td></td> <td></td>								
			EGJ	DATE: 26-JUL-78	<td> <td></td> <td></td> <td></td> <td></td> <td></td> <td></td> <td></td> <td></td> </td>	<td></td> <td></td> <td></td> <td></td> <td></td> <td></td> <td></td> <td></td>								
			EIJ	DATE: 26-JUL-78	<td> <td></td> <td></td> <td></td> <td></td> <td></td> <td></td> <td></td> <td></td> </td>	<td></td> <td></td> <td></td> <td></td> <td></td> <td></td> <td></td> <td></td>								
			EKJ	DATE: 26-JUL-78	<td> <td></td> <td></td> <td></td> <td></td> <td></td> <td></td> <td></td> <td></td> </td>	<td></td> <td></td> <td></td> <td></td> <td></td> <td></td> <td></td> <td></td>								
			ELJ	DATE: 26-JUL-78	<td> <td></td> <td></td> <td></td> <td></td> <td></td> <td></td> <td></td> <td></td> </td>	<td></td> <td></td> <td></td> <td></td> <td></td> <td></td> <td></td> <td></td>								
			EMJ	DATE: 26-JUL-78	<td> <td></td> <td></td> <td></td> <td></td> <td></td> <td></td> <td></td> <td></td> </td>	<td></td> <td></td> <td></td> <td></td> <td></td> <td></td> <td></td> <td></td>								
			ENJ	DATE: 26-JUL-78	<td> <td></td> <td></td> <td></td> <td></td> <td></td> <td></td> <td></td> <td></td> </td>	<td></td> <td></td> <td></td> <td></td> <td></td> <td></td> <td></td> <td></td>								

* THIS DRAWING AND SPECIFICATIONS HEREIN, ARE THE PROPERTY OF DIGITAL EQUIPMENT CORPORATION AND SHALL NOT BE REPRODUCED OR COPIED OR USED IN WHOLE OR IN PART AS THE BASIS FOR THE MANUFACTURE OR SALE OF ITEMS WITHOUT WRITTEN PERMISSION. COPYRIGHT (C) 1979, DIGITAL EQUIPMENT CORPORATION.

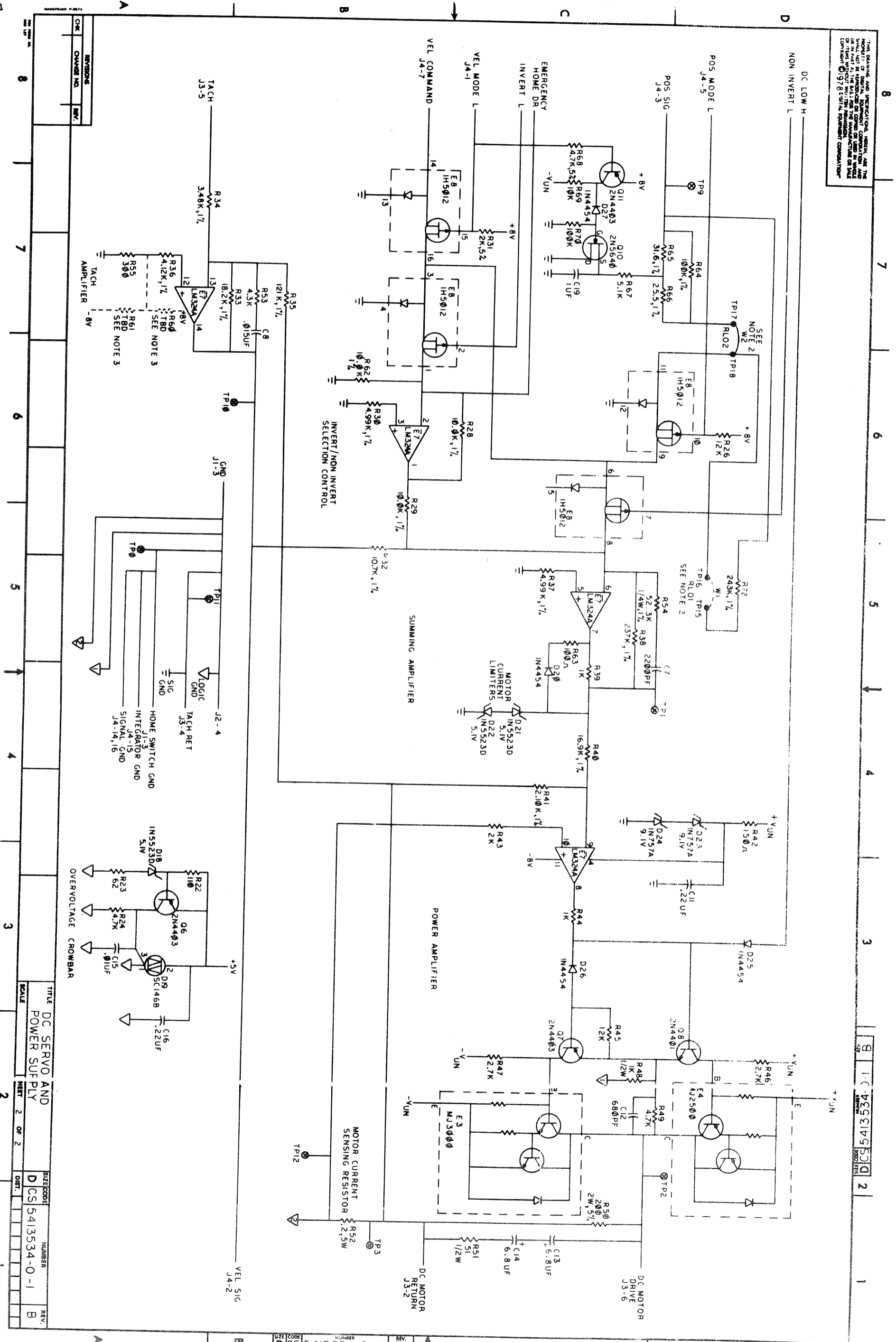
LINE ITEM	DOCUMENT NUMBER	PART NUMBER	DESCRIPTION	QTY PER VARIATION	REFERENCE DESIGNATOR
29		1303312-00	10.0 K 1/4W 1% RN55D-F 100PPM	3	R28,R29,R62
30		1312924-00	10.7 K 1/4W 1% RN55D-F 100PPM	1	R32
31		1309412-00	18.2 K 1/4W 1% RN55D-F 100PPM	1	R33
32		1315436-00	52.3 K 1/4W 1% RN55D-F 100PPM	1	R34
33		1304843-00	243 K 1/4W 1% RN55D-F 100PPM	1	R72
34		1315437-00	237 K 1/2W 5% RN55D-F 100PPM	1	R38
35		1302378-00	51 1/2W 5% CC	1	R51
36		1300364-00	1 1/2W 5% CC	1	R18,R48
37		1314068-00	360 1W 5% CC	2	R4
38		1300368-00	1 1W 5% CC	1	R8
39		1301494-00	200 2W 5% CC	1	R50
40		1313358-00	1 5W 3% WM	2	R2,R52
41		1105796-00	1N 4004 FIV=400 I= 1A D041 SP	3	D1,D2,D5
42		1113953-00	1N 5523D VZ= 5.1 1%	8	D4,D6,D8,D9,D16,D18,D21,D22
43		1109990-00	1N 757A VZ= 9.1 5% .40W P	2	D23,D24
44		1110994-00	1N 751A VZ= 5.1 5% .40W	1	D14
45		1114117-00	1N 4152 FIV=450 I=75M	6	D3,D7,D10,D11,D12,D13
46		1111577-00	1N 4454 TR= 4NS FIV= 50 S	6	D15,D17,D20,D25-D27
47		1513698-00	TRIAC@200V, D14A	1	D19
48		9009597-00	INSULATOR, THERMA-FILM	1	
49		1513489-00	2N 4401 NFN 350MM SI 40 20	4	Q2,Q4,Q8,Q9
50		1513490-00	2N 4403 FNP 350MM SI-40 30	6	Q1,Q3,Q5-Q7,Q11
51		1511282-00	MJ2500 FNP 150WC SI 60 5 1K 5A	2	E4,E6
52		1511349-00	TIP 640 (OR MJ3000) NFN DARLNGT	1	E3
53		1911706-00	5012 ANALOG SWITCH,ACHNL	1	E8
54		1912818-00	LS38 NAND BUFFER-QUAD 2IN	1	E10
55		1912107-01	324ANDP AMP,QUAD	1	E7
56		1913695-00	7808 VOLT,REG,FIX	1	E9
57		1913694-00	7908 VOLT,REG,FIX	1	E5
58		9008419-00	WASHER, FLAT, THERMAFILM .002THK	5	
59		7418595-00	HEATSINK ASSEMBLY	1	
60		9008033-01	SCREW,PAN ,PHIL, 4-40X 9/16	11	
61		9006557-00	NUT,KEP , 4-40X 1/4 AF	11	
62		9006655-00	WASHER, FLAT, .312 O.D. X .125 I	11	
63		9008268-00	COMPOUND, THERMAL JOINT	A/R	
64		1210824-00	THERMOSTAT,0@215,C@156,SPST	1	S1
65		9008185-00	NUT,KEP , 6-32X1/4 AF	1	
66		9006653-00	WASHER, FLAT, .375 O.D. X .156 I	1	F1
67		1205747-00	FUSE, SUB-MINI, 5.000A, 125V, A	1	TF13-TF18
68		9006735-00	EYELET, FUNNEL FLANGE, .059 OD X	6	TF0-TF12
69		9007791-00	TERM PCB 2POS SOLDER,TURRET	13	
70		1213922-01	HEADER 3POS	1	J1
71		1213922-04	HEADER 6POS	1	J2
72		1213900-00	CONN,RCPT 6PIN	1	J3
73		1209941-06	HEADER,100 20POS RT ANGLE	1	J4
74		1209941-04	HEADER RT ANGLE,RIGHT	1	
75		1209941-03	HEADER RT ANGLE LEFT L	1	

D	I	G	I	T	A	L	TITLE	SECTION A	OF A	SIZE	CODE	DOCUMENT NUMBER	REV
							D.C. SERVO AND POWER SUPPLY	A	A	K	PL	5413534-0-DBP	B

LINE	ITEM	DOCUMENT NUMBER	PART NUMBER	DESCRIPTION	QTY	PER VARIATION	REFERENCE DESIGNATOR
76	76		1305314-00	4.99 K 1/4W 1% RN55D-F 100PFM	2		R37, R30
77	77		1300250-00	150 1/4W 5% CC	1		R42
78	78		1312618-00	16.9 K 1/4W 1% RN55D-F 100PFM	1		R40
79	79		1300229-00	100 1/4W 5% CC	1		R63
80	80		1305336-00	*** THIS ITEM IS NOT USED ***	-		
81	81		1309416-00	31.6 K 1/4W 1% RN55D-F 100PFM	1		R65
82	82		1015574-01	*** THIS ITEM IS NOT USED ***	-		
83	83		9009185-00	JUMPER, WIRE, INSULATED, BLACK B	2		W1, W2
84	84		1303044-00	100 K 1/4W 1% RN55D-F 100PFM	1		R64
85	85		1015574-00	*** THIS ITEM IS NOT USED ***	-		
86	86		1315435-00	25.5 K 1/4W 1% RN55D-F 100PFM	1		R66
87	87		1312930-00	5.1 K 1/4W 5% CC	1		R67
88	88		1015520-00	1 MFD 100V 5% M. POLYESTER	1		R69
89	89		1513697-00	2N 5640 FET N CHANL	1		Q10
90	90		1300479-00	10 K 1/4W 5% CC	1		R69
91	91		1302466-00	100 K 1/4W 5% CC	1		R70

D	I	G	I	T	A	L	TITLE	SECTION A OF A	SIZE CODE	DOCUMENT NUMBER	REV	
							D.C. SERVO AND POWER SUPPLY					
									K	FL	5413534-0-DRP	B

THIS DRAWING AND SPECIFICATIONS, DESIGN, AND THE SMALL PARTS ARE THE PROPERTY OF THE GENERAL ELECTRIC COMPANY AND WILL BE RETURNED TO THE COMPANY UPON THE REQUEST OF THE COMPANY. COPYRIGHT © 1978 BY THE GENERAL ELECTRIC COMPANY.



REV.	B	DATE	11/15/78	BY	WJL	CHKD	WJL
NUMBER	5413534-0-1	SIZE	D	CODE	CS	REV.	B
TITLE	DC SERVO AND POWER SUPPLY						
HEET	2	OF	2	SCALE	AS SHOWN	DATE	11/15/78

5413534-0-1 B

27

LINE ITEM DOCUMENT NUMBER

PART NUMBER

DESCRIPTION

QTY PER VARIATION
00

REFERENCE DESIGNATOR

LINE ITEM	DOCUMENT NUMBER	PART NUMBER	DESCRIPTION	QTY PER VARIATION	REFERENCE DESIGNATOR
1	0-MD-5014024-0-0	5014024-00	DRIILL AND ETCH BRD	1	
2	2		RESISTOR,FINAL TEST, 1/4W, 1%	4	R115,R116,R118,R119
3	3		330.0 MMF 100V 5%200PFM DM155	4	C93,C106-C108
4	4		470.0 MMF 100V 5%200PFM DM155	1	C94
5	5		3.9MFD 10V 10% 150U S.TA	2	C76,C95
6	6		39 MFD 10V 10% 150U S.TA	4	C73,C78,C86,C95
7	7		.01 MFD 50V -20+80 Z5U AXIAL	74	C1-C6,C8-C39,C40-C45,C47-C49, C51-C53,C55-C68,C70,C71,C77, C79-C82,C84,C88,C104
8	8		1 MFD 35V 10% S.TANT	4	C74,C75,C92,C97
9	9		15 MFD 20V 10% S.TANT	1	C87
10	10		.01 MFD 100V 10% 663UV MYLR	1	C101
11	11		.047 MFD 50V 10% 2C067CER.	1	C96
12	12		220.0 MMF 50V 5% CER.	1	C91
13	13		680.0 MMF 50V 10% CER.	2	C89,C90
14	14		1000.0 MMF 50V 10% CER.	1	C83
15	15		3300.0 MMF 50V 5% CER.	4	C98,C100,C103,C105
16	16		.22 MFD 50V +80/-20% CER.	2	C99,C102
17	17		IN 4454 TR= 4NS PIV= 50 S	16	D1,D7-D20,D22
18	18		IN 55230 VZ= 5.1 1Z	1	D21
19	19		IN 4152 PIV=450 I=75M	5	D2-D6
20	20		HEADER 100 40P05 RT ANGLE LEFT L	1	J11
21	21		HEADER 100 40P05 RT ANGLE RIGHT	1	J4-J6
22	22		HEADER 100 10P05 RT ANGLE	5	TP17-TP26
23	23		HEADER,100 20P05 RT ANGLE	3	J14
24	24		FIN 1P05 WIRE WRAP	10	J2
25	25		HEADER 6P05	1	R48,R133-R136
26	26		HEADER 1/4W 5% CC	5	
27	27				
28	28				

REVISION HISTORY

BASIC PART NO: 5414025

ENG	ECO NUMBER	REV	SECTION A OF A	DRN	ART STYM	DATE	TITLE	DOCUMENT NUMBER
INITIAL		A	SECTION, VARIATION INDEX	CHK'D:	P. KENDRICK	DATE: 18-APR-79	DRIVE LOGIC	
MR 5414025-CX001		B	EA1 00			DATE: 18-APR-79		
MR 5414025-CX002		C	EB1			DATE: 18-APR-79		
			EC1	DF3.ENG:	MIKE BROWN	DATE: 18-APR-79		
			ED1	RESP.ENG.:	MIKE BROWN	DATE: 18-APR-79		
			EE1	DFG.ENG.:	D. LICK	DATE: 18-APR-79		
			EF1	ASSEMBLY NUMBER:		DATE: 18-APR-79		
			EG1	ID-0A-5414025-0-0		DATE: 18-APR-79		
			EH1			DATE: 18-APR-79		
			EJ1			DATE: 18-APR-79		
			EK1			DATE: 18-APR-79		
			EL1			DATE: 18-APR-79		
			EM1			DATE: 18-APR-79		
			EN1			DATE: 18-APR-79		

* THIS DRAWING AND SPECIFICATIONS HEREIN, ARE THE PROPERTY OF DIGITAL EQUIPMENT CORPORATION AND SHALL NOT BE REPRODUCED OR COPIED OR USED IN WHOLE OR IN PART AS THE BASIS FOR THE MANUFACTURE OR SALE OF ITEMS WITHOUT WRITTEN PERMISSION. COPYRIGHT (C) 1979, DIGITAL EQUIPMENT CORPORATION *

LINE	ITEM	DOCUMENT NUMBER	PART NUMBER	DESCRIPTION	QTY	PER VARIATION	REFERENCE DESIGNATOR
29	29		1300271-00	220 1/4W 5%	4		R3,R14,R41,R143
30	30		1300315-00	470 1/2W 5%	3		R16,R73,R130
31	31		1300316-00	470 1/4W 5%	4		R1,R2,R79,R142
32	32		1300365-00	1 1/4W 5%	16		R5,R15,R39,R40,R42,R47,R52,R54, R56,R61,R72,R74,R101,R106,R129, R140
33	33		1300411-00	2 1/4W 1%	1	CONT	R144
34	34		1300439-00	3.3 1/4W 5%	3	CONT	R93,R124,R126
35	35		1300447-00	4.7 1/4W 5%	35	CONT	R4,R6-R13,R26-R28,R34,R35,R38, R43,R44,R49,R53,R57,R58,R62, R75-R78,R80,R82,R92,R102,R105, R123,R125,R127,R138,R145 R70,R107
36	36		1300479-00	10 1/4W 5%	2	CONT	R18-R21,R45,R50,R66,R67,R71,R87, R122,R128,R131
37	37		1302388-00	2 1/4W 5%	13	CONT	R59
38	38		1302391-00	20 1/4W 5%	1		R95
39	39		1302394-00	30 1/4W 5%	1		R55
40	40		1302398-00	470 1/4W 5%	1		R121
41	41		1302466-00	100 1/4W 5%	1		R91,R120
42	42		1302514-00	39 1/4W 5%	2		R94
43	43		1302666-00	10 1/4W 5%	1		R88
44	44		1302871-00	1.21 1/4W 1%	1		R25
45	45		1303044-00	100 1/4W 1%	1		R64,R65,R83,R85,R113
46	46		1303047-00	464 1/4W 1%	5		R89,R117
47	47		1303114-00	1.0 1/4W 1%	2		R17,R29-R31,R36,R60,R63
48	48		1303312-00	10.0 1/4W 1%	7		R108
49	49		1304693-00	562 1/4W 1%	1		R81
50	50		1304841-00	75 1/4W 5%	1		R110
51	51		1304862-00	1.62 1/4W 1%	1		R33
52	52		1304870-00	6.81 1/4W 1%	1		R84,R86
53	53		1305124-00	287 1/4W 1%	2		R24
54	54		1305265-00	39.2 1/4W 1%	1		R96,R99
55	55		1305266-00	365 1/4W 1%	2		R23
56	56		1305405-00	24.9 1/4W 1%	1		R46,R51,R132
57	57		1309595-00	1 1/4W 5%	3		R109
58	58		1310632-00	2.37 1/4W 1%	1		R97,R100
59	59		1311594-00	30.1 1/4W 1%	2		R111,R112
60	60		1312929-00	62 1/4W 5%	2		R68,R69,R137
61	61		1312930-00	5.1 1/4W 5%	3		R22,R103,R104
62	62		1312989-00	17.8 1/4W 1%	3		R90
63	63		1313589-00	1.4 1/4W 1%	1		R32
64	64		1313846-00	2.26 1/4W 1%	1		R37
65	65		1314041-00	3.01 1/4W 1%	1		R114
66	66		1314491-00	1.02 1/4W 1%	1		R7,R10,Q12
67	67		1513489-00	2N 4401 NFN 350MM SI 40 20	3		Q1-Q3,Q5,Q6,Q8,Q9,Q11,Q13,Q15
68	68		1513490-00	2N 4403 PNF 350MM SI-40 30	10		Q14
69	69		1513697-00	2N 5640 FET N CHNNL	1		E9,E10,E68,E85
70	70		1909928-00	7416 INVERTER GATE-HEX 11	4		

D	I	G	I	T	A	L	TITLE	SECTION	A	OF	A	SIZE	CODE	DOCUMENT NUMBER	REV
							DRIVE LOGIC	A				K	PL	5414025-0-DRP	C