

AUTOMATED BY PRLST,JK(27)

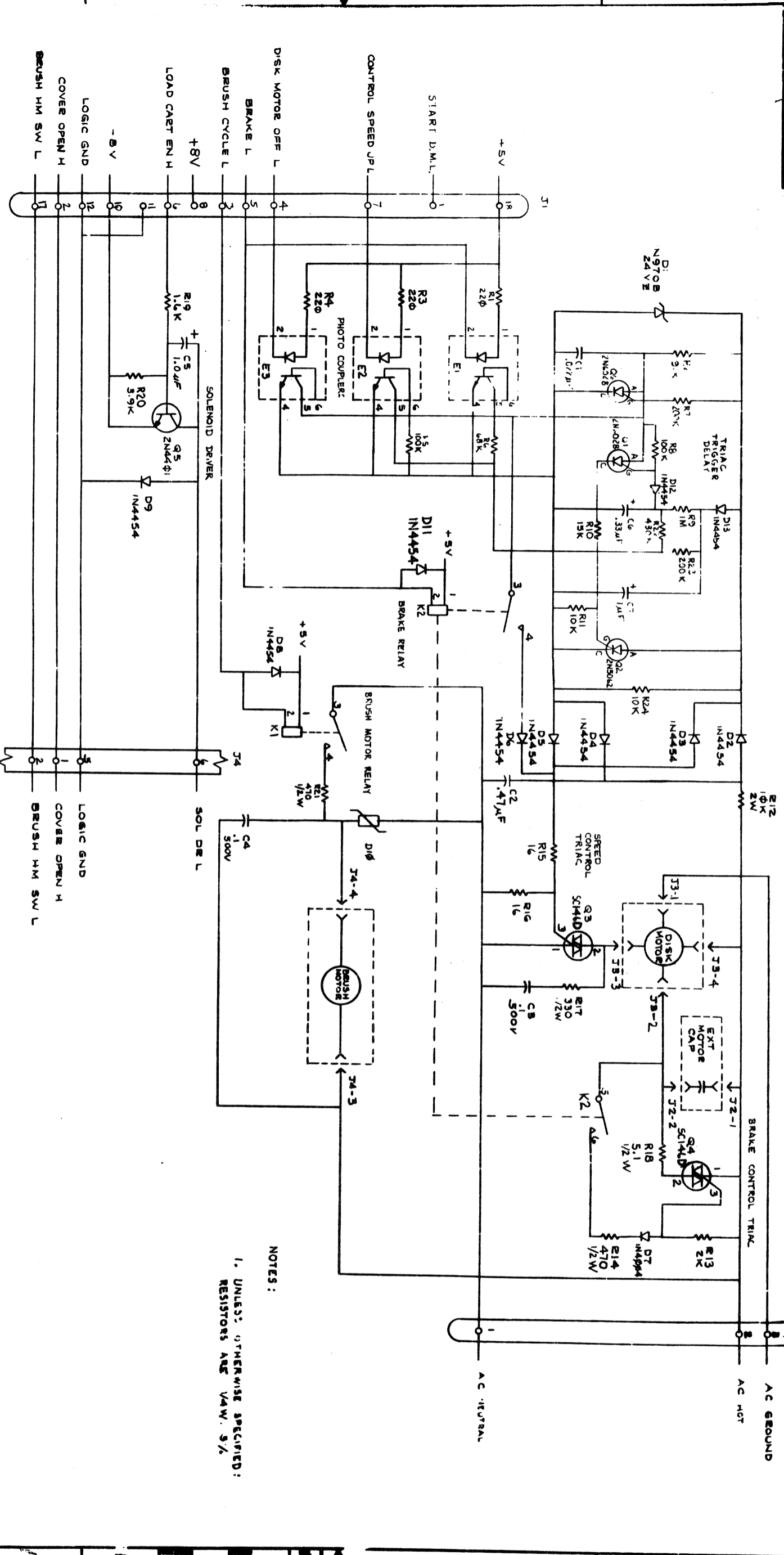
P A R T S L I S T

SHEET A2 OF A2

LINE ITEM	DOCUMENT NUMBER	PART NUMBER	DESCRIPTION	QTY PER VARIATION	REFERENCE DESIGNATOR
30		1300296-00	330 1/2W 5X	1	R17
31		1302388-00	2 K 1/4W 5X	1	R13
32		1309595-00	1 M 1/4W 5X	1	R9
33		1303176-00	1.6 K 1/4W 5X	1	R19
34		1209941-03	HEADER RT ANGLE LEFT L	1	J1
35		1209941-04	HEADER RT ANGLE,RIGHT	1	J1
36		1510877-00	2N 5062 SCRQ100V I=.8A T092	2	Q1,Q6
37		1110968-00	2N 5062 SCRQ100V I=.8A T092	2	Q2
38		1510070-00	TRIAQ400V,I> 8A #RCA40669 M	1	Q3,Q4
39		1513489-00	2N 4401 NPN 350MW SI 40 20	1	Q5
40		9006557-00	NUT,KEP 4-40X 1/4 AF	2	Q3,Q4
41		9006010-01	SCREW,PAN ,PHIL, 4-40X 5/16	2	Q3,Q4
42		9006655-00	WASHER, FLAT, .312 O.D. X .125 I	2	Q3,Q4
43			*** THIS ITEM IS NOT USED ***	-	
44		1000002-04	.33 MFD 35V 10X .150D S.TA	1	C6
45		1314650-00	91 K 1/4W 5X	1	R2

D	I	G	I	T	A	L	TITLE	SECTION A	OF A	SIZE	CODE	DOCUMENT NUMBER	REV
							AC SERV0	A	A	K	PL	5411848-0-DBP	F

THIS DRAWING AND SPECIFICATIONS ARE THE PROPERTY OF THE UNITED STATES GOVERNMENT. IT IS TO BE REPRODUCED AND TRANSMITTED IN ANY FORM AND BY ANY MEANS, ELECTRONIC OR MECHANICAL, INCLUDING PHOTOCOPYING, RECORDING, OR BY ANY INFORMATION STORAGE AND RETRIEVAL SYSTEM, WITHOUT PERMISSION IN WRITING FROM THE ASSISTANT SECRETARY FOR SUPPLY MANAGEMENT, DEPARTMENT OF DEFENSE.



NOTES:

1. UNLESS OTHERWISE SPECIFIED:
RESISTORS ARE 1/4W, 5%.

REV.	REV.
5411848-0001	D
RELEASED BY DIV C EQUAL TO CI PLUS FIELD SERVICE ANNO- TATION	
PHYLIS BURNELL G. REISHENBERG	
5411848-0002 BURNELL	
5411848-C2863 M. ZARICH	
M. Zarich	

DATE	BY	CHKD	APP'D	PRIN'T	USED	OR
11-13-53	PHL	PHL	PHL			
TITLE AC SERVO						
SIZE 3-1/2" x 5-1/2" x 1-1/2"						
SCALE 1" = 1"						
SHEET 1 OF 1						
DRAWING NUMBER 5411848-0-1						
REV. F						

5411848-0-1 F

DIGITAL EQUIPMENT CORPORATION

PARTS LIST

MADE BY SCOTT STEVENS
 DATE 10 Jun 76
 ENG *g.b.*
 DATE 6/2/77

CHECKED *G.Y. Burnell*
 DATE 2-9-77
 PROD DATE *D.A. Sogge*
 DATE 0-7-77

SECTION
 ISSUED SECTION

ITEM NO.	DRAWING NO.	PART NO.	DESCRIPTION	QUANTITY / VARIATION	REF DESIGNATION
1	D-MD-5011849-0-0	5011849	ETCHED BOARD	1	C12
2		1013466-08	CAPACITOR, 680 pF, 10%, 50V, Cer.Ax.	1	C7
3		1002423-00	CAPACITOR, 3,300 pF, 10%, 50V, Mica	1	C1, C9, C10, C15
4		1001610-00	CAPACITOR, .01 uF, 10%, 50V, Cer.	4	C8
5		1002630-00	CAPACITOR, .015 uF, 10%, 100V, Mylar	1	C3, C5, C11
6		1013466-11	CAPACITOR, .22 uF, 50V, Cer. Ax.	3	C4, C6, C13, C14
7		1005306-00	CAPACITOR, 6.8 uF, 35V, Tant	4	C2
8		1000076-00	CAPACITOR, 39 uF, 10V, Tant	1	C58
9		1309422-00	RESISTOR, 5.1 OHM, 1/4 W 5% CC	1	R3, R23
10		1312929-00	RESISTOR, 62 OHM, 1/4 W 5% CC	2	R22
11		1311523-00	RESISTOR, 110 OHM, 1/4 W 5% CC	1	R13
12		1300247-00	RESISTOR, 120 OHM, 1/4 W 5% CC	1	R59
13		1300271-00	RESISTOR, 220 OHM, 1/4 W 5% CC	1	R5E
14		1301425-00	RESISTOR, 300 OHM, 1/4 W 5% CC	1	R6
15		1303178-00	RESISTOR, 620 OHM, 1/4 W 5% CC	1	R1, R7, R44, R57, R39
16		1300365-00	RESISTOR, 1K, 1/4 W 5% CC	5	R5
17		1300391-00	RESISTOR, 1.5K, 1/4 W 5% CC	1	R43
18		1302388-00	RESISTOR, 2K, 1/4 W 5% CC	1	R46, R47
19		1300426-00	RESISTOR, 2.7K, 1/4 W 5% CC	2	R53
20		1302389-00	RESISTOR, 4.3K, 1/4 W 5% CC	1	R10, R11, R12, R14, R15, R19, R20, R24, R49
21		1300447-00	RESISTOR, 4.7K, 1/4 W 5% CC	9	R9, R16, R17
22		1303179-00	RESISTOR, 8.2K, 1/4 W 5% CC	3	R25, R26, R31, R45, R56
23		1300488-00	RESISTOR, 12K, 1/4 W 5% CC	5	R21
24		1305346-00	RESISTOR, 27K, 1/4 W 5% CC	1	R35
25		1300539-00	RESISTOR, 120K, 1/4 W 5% CC	1	R41
26		1312923-00	RESISTOR, 2.10K, 1/4 W 1% MF	1	R34
27		1305114-00	RESISTOR, 3.48K, 1/4 W 1% MF	1	
28				1	

E.C.O. NO. PCO 251 - B1
 RELEASED AT B EQUAL B1
 P. Burnell
 P. Reichenberg
 1977
 THIS DRAWING AND SPECIFICATIONS HEREIN ARE THE PROPERTY OF DIGITAL EQUIPMENT CORPORATION AND SHALL NOT BE REPRODUCED OR COPIED OR USED IN WHOLE OR IN PART AS THE BASIS FOR THE MANUFACTURE OR SALE OF ITEMS WITHOUT WRITTEN PERMISSION
 DIGITAL EQUIPMENT CORPORATION
 DC SERVO AND POWER BOARD
 ASSY NO. D-UA-5411850-0-0
 SHEET 1 OF 3
 SIZE B CODE PL NUMBER 5411850-0-0
 INSERTION PARTS LIST DATA BASE REV D

DIGITAL EQUIPMENT CORPORATION

PARTS LIST

MADE BY SCOTT STEVENS
 DATE 10 July 77
 ENG *Scott Stevens*
 DATE 6/27/77

CHECKED *by Burnald*
 DATE 2-9-77
 PROD *by Stevens*
 DATE 6-7-77

SECTION
 ISSUED SECTION

ITEM NO.	DRAWING NO.	PART NO.	DESCRIPTION	QUANTITY / VARIATION						NOTES:
				5411850-0-0						
29		1314763-00	RESISTOR, 4.12K, 1/4 W 1% MF	1						R36
30		1303312-00	RESISTOR, 10.0K, 1/4 W 1% MF	3						R28, R29, R62
31		1312924-00	RESISTOR, 10.7K, 1/4 W 1% MF	1						R32
32		1309412-00	RESISTOR, 18.2K, 1/4 W 1% MF	1						R33
33		1311594-00	RESISTOR, 30.1K, 1/4 W 1% MF	1						R54
34		1313843-00	RESISTOR, 107K, 1/4 W 1% MF	1						R27
35		1313844-00	RESISTOR, 221K, 1/4 W 1% MF	1						R38
36		1302378-00	RESISTOR, 51 OHM, 1/2 W 5% CC	1						R51
37		1300364-00	RESISTOR, 1K, 1/2 W 5% CC	2						R18, R48
38		1314068-00	RESISTOR, 360 OHM, 1 W 5% CC	1						R4
39		1300368-00	RESISTOR, 1K, 1 W 5% CC	1						R8
40		1301494-00	RESISTOR, 200 OHM, 2 W 5% CC	1						R50
41		1313358-00	RESISTOR, .2 OHM, 5 W 3% CC	2						R2, R52
42		1105796-00	DIODE, 1N4004, (D041)	3						D1, D2, D5
43		1113953-00	DIODE, 1N5523D, (D07)	8						D4, D6, D8, D9, D18, D16, D21, D22
44		1109990-00	DIODE, 1N757A, (D07)	2						D23, D24
45		1110994-00	DIODE, 1N751A, (D07)	1						D14
46		1114117-00	DIODE, 1N4152, (D035)	6						D3, D7, D10, D11, D12, D13
47		1111577-00	DIODE, 1M4454, (D035)	5						D15, D17, D20, D25, D26
48		1513698-00	TRIAC, SCL46B	1						D19
49		9009597-00	INSULATING WASHER, TRIAC	1						(D19)
50		1513489-00	TRANSISTOR, 2N4401, (T092)	4						Q2, Q4, Q8, Q9
51		1513490-00	TRANSISTOR, 2N4403, (T092)	5						Q1, Q3, Q5, Q6, Q7
52		1511282-00	TRANSISTOR, MJ2500, (T03)	2						E1, E8
53		1511349-00	TRANSISTOR, MJ3000, (T03)	1						E5
54		1911706-00	FET ANALOG SWITCH, IH5012, (16 PIN)	1						E6
55		1912818-00	IC, DEC, 74LS38, (14 PIN)	1						E4
56		1912107-01	OP AMP, LM324 AN (14 PIN)	1						E7

THIS DRAWING AND SPECIFICATIONS HEREIN ARE THE PROPERTY OF DIGITAL EQUIPMENT CORPORATION AND SHALL NOT BE REPRODUCED OR COPIED OR USED IN WHOLE OR IN PART AS THE BASIS FOR THE MANUFACTURE OR SALE OF ITEMS WITHOUT WRITTEN PERMISSION. COPYRIGHT © 1977 DIGITAL EQUIPMENT CORPORATION.

EN-01140A.16R27613251 DRB 125

DC SERVO AND POWER BOARD

ASSY NO. D-UA-5411850-0-0 SHEET 2 OF 3

SIZE B CODE PL NUMBER 5411850-0-0 REV. D

INSERTION PARTS LIST DATA BASE REV

DIGITAL EQUIPMENT CORPORATION

PARTS LIST

ITEM NO.	DRAWING NO.	PART NO.	DESCRIPTION	QUANTITY / VARIATION	NOTES:
57		1913695-00	IC, MC7808CK, (T03)	1	E2
58		1913694-00	IC, MC7908CK, (T03)	1	E3
59		9008419-00	INSULATING WASHER, T03	5	(E1, E2, E3, E5, E8)
60		7418595-00	HEATSINK	1	
61					
62		9008033-01	SCREW, PAN. HD. #4-40, 9/16"	11	(E1, E2, E3, E5, E8, D19)
63		9006557-00	KEPNUT, #4-40	11	(E1, E2, E3, E5, E8, D19)
64		9006655-00	FLAT WASHER, #4	11	(E1, E2, E3, E5, E8, D19)
65		9008268-00	THERMAL COMPOUND	AR	(E1, E2, E3, E5, E8, D19)
66		1210824-00	SWITCH, THERMAL	1	S1
67		9008185-00	KEPNUT, #6-32	1	(S1)
68		9006653-00	FLAT WASHER, #6	1	(S1)
69		1205747-00	FUSE, PICO, 5 AMP	1	F1
70		9006735-00	SPLIT LUG	8	(F1, R40, R62, R63)
71		9007791-00	TERMINAL TURRET, SOLDER	12	TPØ THRU TP11
72		1213922-01	CONNECTOR, AMP, 3 PIN, BLK/TIN	1	J1
73		1213922-04	CONNECTOR, AMP, 6 PIN, BLK/TIN	1	J2
74		1213900-00	CONNECTOR, BURNDY, 6 PIN, BLK/GOLD	1	J3
75		1209941-06	CONNECTOR, BERG, 20 PIN	1	J4
76		1209941-03	LATCH, RIGHT	1	(J4)
77		1209941-04	LATCH, LEFT	1	(J4)
78		1305324-00	RESISTOR, 4.99K, 1/4 W 1% mf	2	R37, R30
79		1300250-00	RESISTOR, 150 OHM, 1/4 W 5% CC	1	R42
80		9105740-55	WIRE 30 AWG	AR	R40
81		1312618-00	RESISTOR, 16.9K, 1/4W, 1%	1	R63
82		1300229-00	RESISTOR, 100Ω, 1/4W, 5%	1	

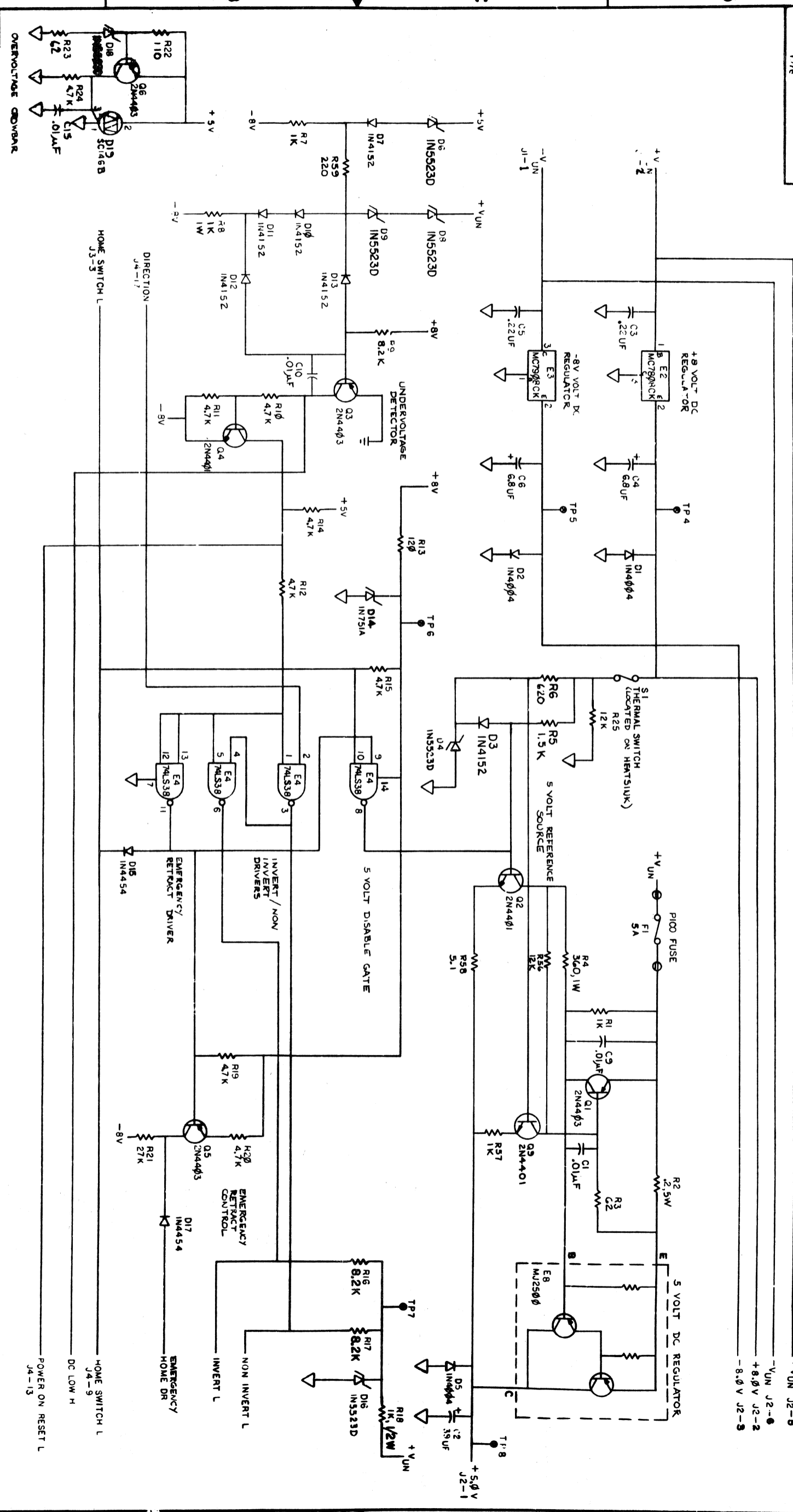
5411850-0-0

<p>MAD BY SCOTT STEVENS DATE 10 Jun 76 ENG <i>[Signature]</i> DATE 6/17/77</p>	<p>CHECKED <i>[Signature]</i> DATE 2-9-77 PROD <i>[Signature]</i> DATE 6-7-77</p>
<p>SECTION ISSUED SECTION</p>	
<p>THIS DRAWING AND SPECIFICATIONS, HEREIN, ARE THE PROPERTY OF DIGITAL EQUIPMENT CORPORATION AND SHALL NOT BE REPRODUCED OR COPIED OR USED IN WHOLE OR IN PART AS THE BASIS FOR THE MANUFACTURE OR SALE OF ITEMS WITHOUT WRITTEN PERMISSION</p>	
<p>EN:01140A:16-R2/613251 DRB 125</p>	

<p>ASSY NO. D-UA-5411850-0-0</p>	<p>SIZE B CODE PL NUMBER 5411850-0-0</p>
<p>SHEET 3 OF 3</p>	
<p>INSERTION PARTS LIST DATA BASE REV</p>	
<p>TITLE DC SERVO AND POWER BOARD</p>	
<p>REV. D</p>	

THIS DRAWING AND SPECIFICATIONS, HEREBY ARE THE PROPERTY OF THE NATIONAL AERONAUTICS AND SPACE ADMINISTRATION. IT IS TO BE USED ONLY FOR THE PURPOSES AUTHORIZED BY THE CONTRACT UNDER WHICH IT WAS PREPARED. IT IS TO BE RETURNED TO THE NATIONAL AERONAUTICS AND SPACE ADMINISTRATION UPON REQUEST.

2 3 4 5 6 7 8 9 10 11 12 13 14 15 16 17 18 19 20 21 22 23 24 25 26 27 28 29 30 31 32 33 34 35 36 37 38 39 40 41 42 43 44 45 46 47 48 49 50 51 52 53 54 55 56 57 58 59 60 61 62 63 64 65 66 67 68 69 70 71 72 73 74 75 76 77 78 79 80 81 82 83 84 85 86 87 88 89 90 91 92 93 94 95 96 97 98 99 100



REV.	DATE	BY	CHKD	DESCRIPTION
1	11-17-77
2
3
4
5
6
7
8
9
10
11
12
13
14
15
16
17
18
19
20
21
22
23
24
25
26
27
28
29
30
31
32
33
34
35
36
37
38
39
40
41
42
43
44
45
46
47
48
49
50
51
52
53
54
55
56
57
58
59
60
61
62
63
64
65
66
67
68
69
70
71
72
73
74
75
76
77
78
79
80
81
82
83
84
85
86
87
88
89
90
91
92
93
94
95
96
97
98
99
100

OVERVOLTAGE INDICATOR

UNDERVOLTAGE DETECTOR

5 VOLT DC REGULATOR

5 VOLT REFERENCE SOURCE

5 VOLT DISABLE GATE

EMERGENCY RETRACT CONTROL

EMERGENCY RETRACT DRIVER

INVERT / NON INVERT DRIVERS

NOTES:
1. ALL RESISTORS TO BE 1/4W 5%
UNLESS OTHERWISE SPECIFIED

REV.	DATE	BY	CHKD	DESCRIPTION
1	11-17-77
2
3
4
5
6
7
8
9
10
11
12
13
14
15
16
17
18
19
20
21
22
23
24
25
26
27
28
29
30
31
32
33
34
35
36
37
38
39
40
41
42
43
44
45
46
47
48
49
50
51
52
53
54
55
56
57
58
59
60
61
62
63
64
65
66
67
68
69
70
71
72
73
74
75
76
77
78
79
80
81
82
83
84
85
86
87
88
89
90
91
92
93
94
95
96
97
98
99
100

DC SERVO AND POWER BOARD

DC LOW H HOME SWITCH L J4-9

HOME SWITCH L J3-5

EMERGENCY HOME DR HOME DN J4-13

POWER ON RESET L J4-13

EMERGENCY RETRACT CONTROL

EMERGENCY RETRACT DRIVER

5 VOLT DISABLE GATE

5 VOLT REFERENCE SOURCE

5 VOLT DC REGULATOR

UNDERVOLTAGE DETECTOR

OVERVOLTAGE INDICATOR

INVERT / NON INVERT DRIVERS

DC SERVO AND POWER BOARD

DC LOW H HOME SWITCH L J4-9

HOME SWITCH L J3-5

EMERGENCY HOME DR HOME DN J4-13

POWER ON RESET L J4-13

EMERGENCY RETRACT CONTROL

EMERGENCY RETRACT DRIVER

5 VOLT DISABLE GATE

5 VOLT REFERENCE SOURCE

5 VOLT DC REGULATOR

UNDERVOLTAGE DETECTOR

OVERVOLTAGE INDICATOR

INVERT / NON INVERT DRIVERS

DC SERVO AND POWER BOARD

DC LOW H HOME SWITCH L J4-9

HOME SWITCH L J3-5

EMERGENCY HOME DR HOME DN J4-13

POWER ON RESET L J4-13

EMERGENCY RETRACT CONTROL

EMERGENCY RETRACT DRIVER

5 VOLT DISABLE GATE

5 VOLT REFERENCE SOURCE

5 VOLT DC REGULATOR

UNDERVOLTAGE DETECTOR

OVERVOLTAGE INDICATOR

INVERT / NON INVERT DRIVERS

DC SERVO AND POWER BOARD

DC LOW H HOME SWITCH L J4-9

HOME SWITCH L J3-5

EMERGENCY HOME DR HOME DN J4-13

POWER ON RESET L J4-13

EMERGENCY RETRACT CONTROL

EMERGENCY RETRACT DRIVER

5 VOLT DISABLE GATE

5 VOLT REFERENCE SOURCE

5 VOLT DC REGULATOR

UNDERVOLTAGE DETECTOR

OVERVOLTAGE INDICATOR

INVERT / NON INVERT DRIVERS

DC SERVO AND POWER BOARD

DC LOW H HOME SWITCH L J4-9

HOME SWITCH L J3-5

EMERGENCY HOME DR HOME DN J4-13

POWER ON RESET L J4-13

EMERGENCY RETRACT CONTROL

EMERGENCY RETRACT DRIVER

5 VOLT DISABLE GATE

5 VOLT REFERENCE SOURCE

5 VOLT DC REGULATOR

UNDERVOLTAGE DETECTOR

OVERVOLTAGE INDICATOR

INVERT / NON INVERT DRIVERS

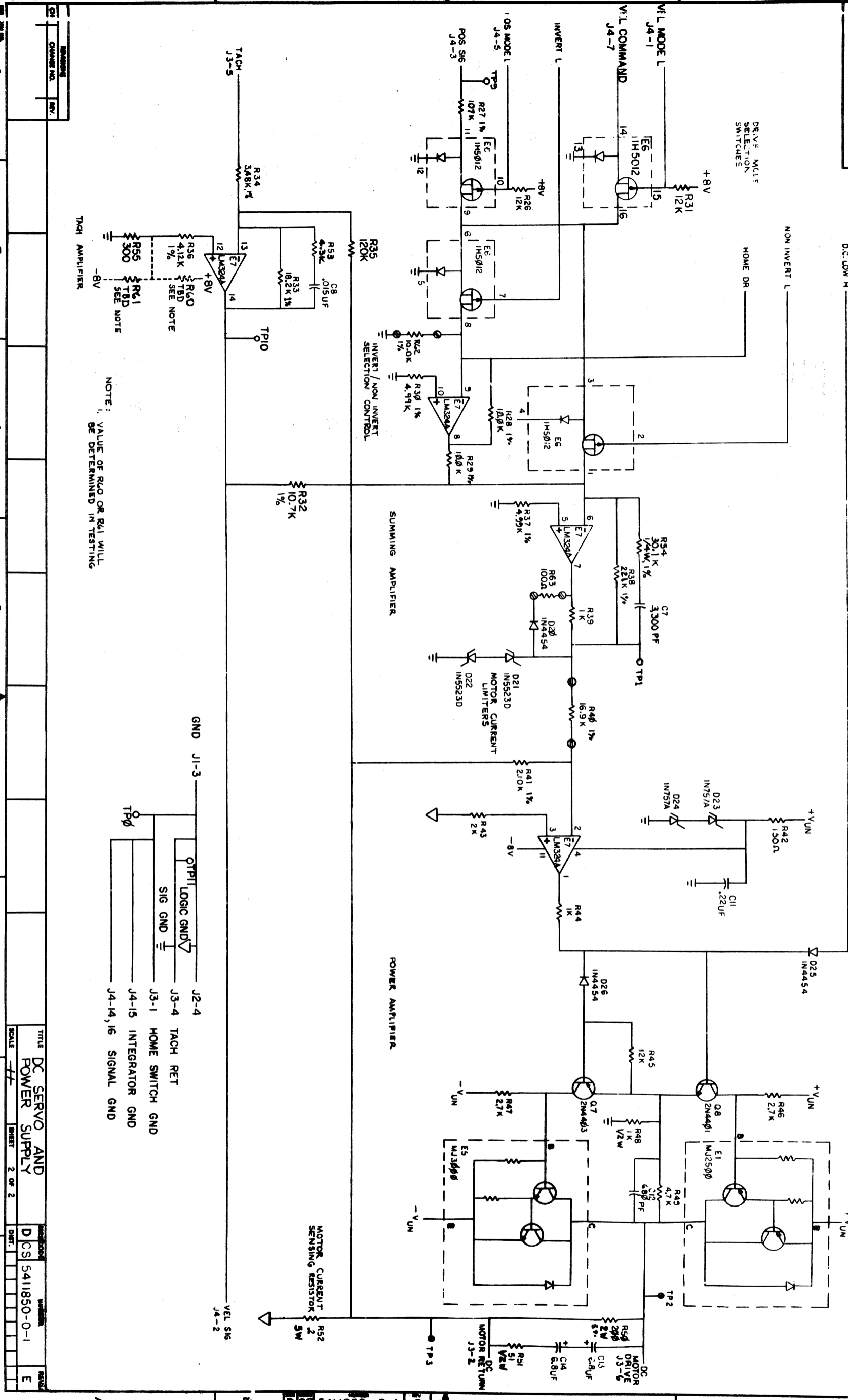
DC SERVO AND POWER BOARD

DC LOW H HOME SWITCH L J4-9

HOME SWITCH L J3-5

EMERGENCY HOME DR

ALL DIMENSIONS ARE IN MILLIMETERS UNLESS OTHERWISE SPECIFIED
 1. ALL DIMENSIONS ARE TO CENTER UNLESS OTHERWISE SPECIFIED
 2. ALL DIMENSIONS ARE TO CENTER UNLESS OTHERWISE SPECIFIED
 3. ALL DIMENSIONS ARE TO CENTER UNLESS OTHERWISE SPECIFIED
 4. ALL DIMENSIONS ARE TO CENTER UNLESS OTHERWISE SPECIFIED
 5. ALL DIMENSIONS ARE TO CENTER UNLESS OTHERWISE SPECIFIED
 6. ALL DIMENSIONS ARE TO CENTER UNLESS OTHERWISE SPECIFIED
 7. ALL DIMENSIONS ARE TO CENTER UNLESS OTHERWISE SPECIFIED
 8. ALL DIMENSIONS ARE TO CENTER UNLESS OTHERWISE SPECIFIED



NOTE: VALUE OF R40 OR R41 WILL BE DETERMINED IN TESTING

REV.	CHG.	DESCRIPTION

REV.	CHG.	DESCRIPTION

TITLE	DC SERVO AND POWER SUPPLY
SCALE	1:1
SHEET	2 OF 2
DESIGN	DCS 5411850-0-1
DATE	

AUTOMATED BY PRTLST,3H(20)

PARTS LIST

SHEET A1 OF A3

LINE ITEM DOCUMENT NUMBER

PART NUMBER

DESCRIPTION

QTY PER VARIATION

REFERENCE DESIGNATOR

1	1	D-MD-5014024-0-0	5014024-00	DRILL AND ETCH BRD	1	
2	2	EWS		RESISTOR,FINAL TEST, 1/4W, 1X	4	R115,R116,R118,R119
3	3		1000023-00	330.0 MMF 100V 5X200PPM DM15S	4	C93,C106-C108
4	4		1000024-00	470.0 MMF 100V 5X200PPM DM15S	1	C94
5	5		1000064-00	3.9MFD 10V 10% 150D S.TA	2	C76,C85
6	6		1000076-00	39 MFD 10V 10% 150D S.TA	4	C73,C78,C86,C95
7	7		1001610-00	.01 MFD 50V -20+80 25U AXIAL	74	C1-C6,C8-C39,C40-C45,C47-C49, C51-C53,C55-C68,C70,C71,C77, C79-C82,C84,C88,C104 C74,C75,C92,C97

8	8		1001776-00	1 MFD 35V 10% S.TANT	4	CONT
9	9		1004812-00	15 MFD 20V 10% S.TANT	1	C87
10	10		1005784-00	.01 MFD 100V 10% 663VM MYLR	1	C101
11	11		1010978-32	.047 MFD 50V 10% 2C067CER.	1	C96
12	12		1013466-07	220.0 MMF 50V 5% CER.	1	C91
13	13		1013466-08	680.0 MMF 50V 10% CER.	2	C89,C90
14	14		1013466-09	1000.0 MMF 50V 10% CER.	1	C83
15	15		1013466-10	3300.0 MMF 50V 5% CER.	4	C98,C100,C103,C105
16	16		1013466-11	.22 MFD 50V +80/-20% CER.	2	C99,C102
17	17		1111577-00	IN 4454 TR= 4NS PIV= 50 S	16	D1,D7-D20,D22
18	18		1113953-00	IN 5523D VZ= 5.1 1X	1	D21
19	19		1114117-00	IN 4152 PIV=450 I=75M	5	D2-D6
20	20		1209941-02	HEADER 100 40POS RT ANGLE	1	J12
21	21		1209941-03	HEADER	5	J11
22	22		1209941-04	HEADER RT ANGLE LEFT L	5	J4-J6
23	23		1209941-05	HEADER RT ANGLE,RIGHT	1	TP17-TP26
24	24		1209941-06	HEADER.100 20POS RT ANGLE	3	J14
25	25		1210385-01	PIN 1POS WIRE WRAP	10	J2
26	26		1213922-02	HEADER 3POS	1	R48,R133-R136
27	27		1213922-04	HEADER 6POS	1	
28	28		1300229-00	HEADER 1/4W 5X	5	

REVISION HISTORY		BASIC PART NO: 5414025		DRN: ART SIMM		DATE: 18-APR-79		D I G I T A L	
ENGI	ECO NUMBER	REV	SECTION A OF A	CHK'D:	F. KENDRICK	DATE:	18-APR-79	PARTS LIST	
	INITIAL	A	SECTION VARIATION INDEX	DES. ENG:	MIKE BROWN	DATE:	18-APR-79	DRIVE LOGIC	
			CAJ 00	RESP. ENG.:	MIKE BROWN	DATE:	18-APR-79	DOCUMENT NUMBER	
			CRJ	MFG. ENG.:	D. LICK	DATE:	18-APR-79	SIZE CODE: NUMBER	
			CCJ	ASSEMBLY NUMBER:	D-VA-5414025-0-0	TOP DOCUMENT NUMBER:	0RL02	FILE NAME: EDIT	
			CDJ					20496A.PLS 16	
			CEJ						
			CFJ						
			CHJ						
			CJJ						
			CKJ						
			CLJ						
			CMJ						
			CNJ						

* THIS DRAWING AND SPECIFICATIONS HEREIN, ARE THE PROPERTY OF DIGITAL EQUIPMENT CORPORATION AND SHALL NOT BE REPRODUCED OR COPIED OR USED IN WHOLE OR IN PART AS THE BASIS FOR THE MANUFACTURE OR SALE OF ITEMS WITHOUT WRITTEN PERMISSION. COPYRIGHT (C) 1979. DIGITAL EQUIPMENT CORPORATION.