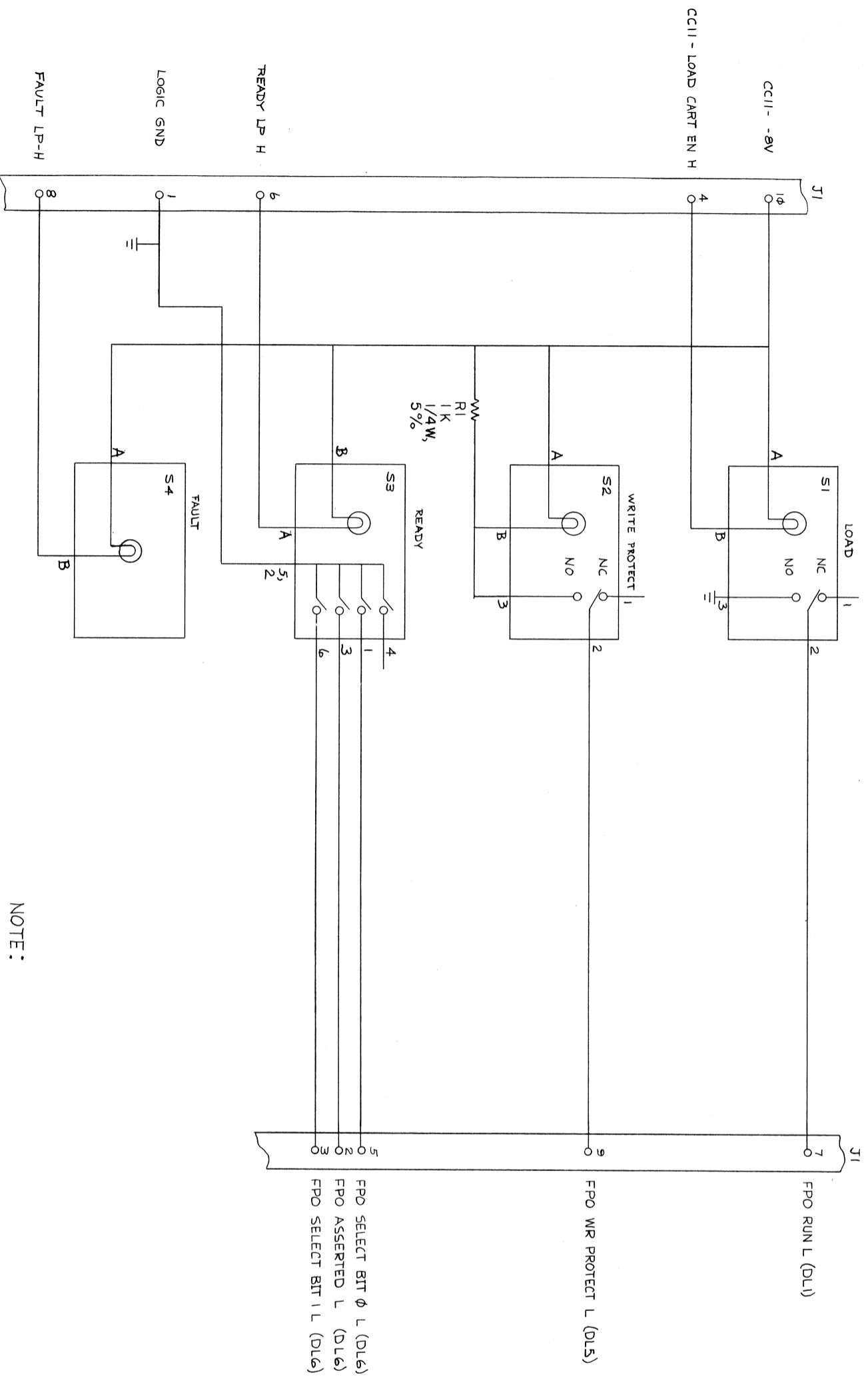


THIS DRAWING AND SPECIFICATIONS, HEREIN, ARE THE PROPERTY OF DIGITAL EQUIPMENT CORPORATION. NO PART SHALL BE REPRODUCED OR COPIED OR USED IN WHOLE OR IN PART AS THE BASIS FOR THE MANUFACTURE OR SALE OF ANY EQUIPMENT WITHOUT THE WRITTEN PERMISSION OF DIGITAL EQUIPMENT CORPORATION.



NOTE:
1. ALL LAMPS ARE GE-73 TYPE

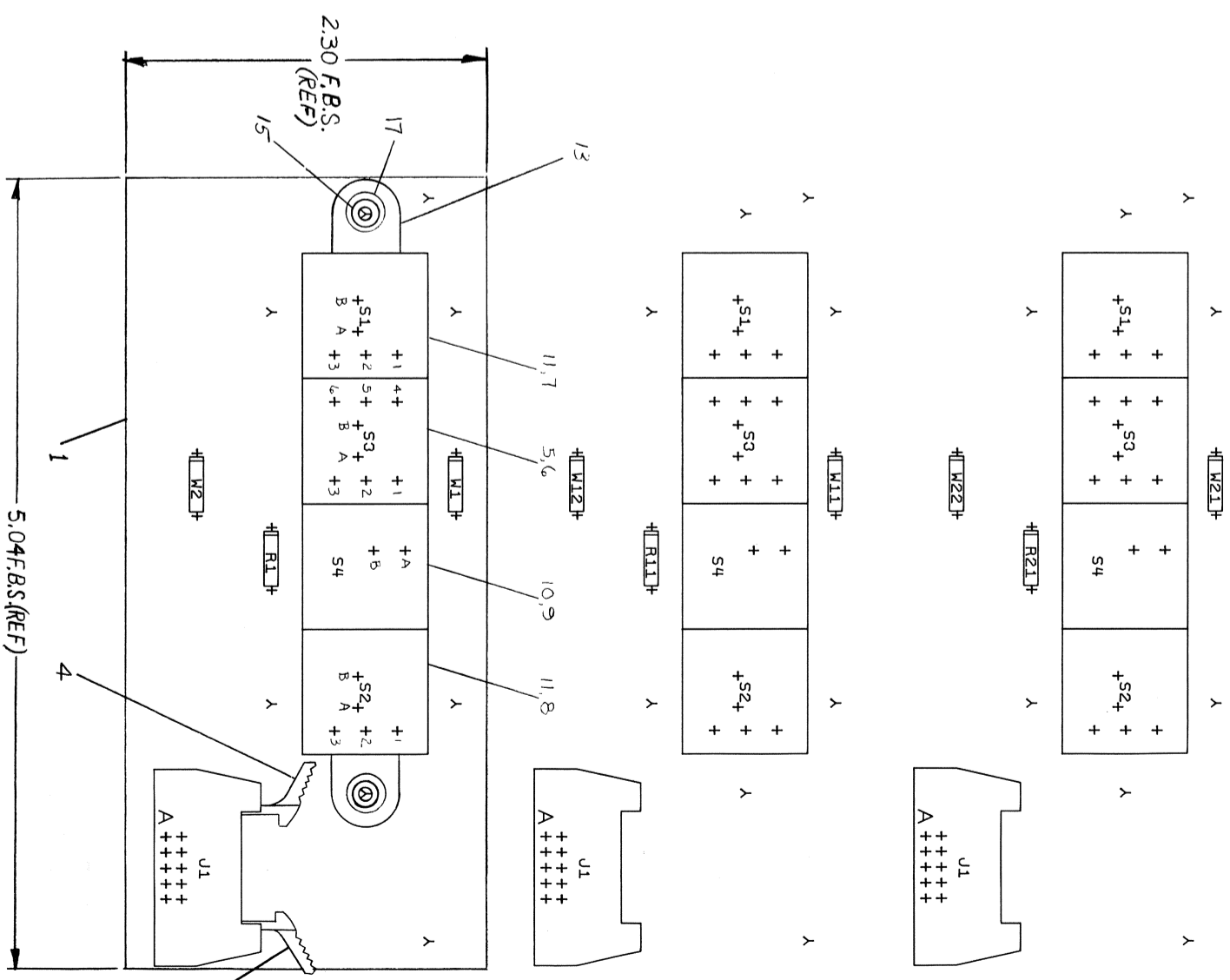
REVISIONS		
CHK	CHANGE NO.	REV.
8	5411846-0001	E
	G. BURNELL	9-24-77
	G. REICHENBERG	
	A. Bleichner	9-24-77
	5411846-CZ002	F
	G. REICHENBERG	
	A. Bleichner	
	5411846-CZ003	I
	M. ZARICH	
	M. Zarich	

DRN.	A. Bleichner	272587%	FIRST USED ON	
CHK'D.	G. BURNELL	1-11-77		
ENGR.	G. BURNELL	3-7-77		
PROJ. ENGR.	G. BURNELL	3-10-77		
PROD.	G. BURNELL	5-9-77		
NEXT HIGHER ASSY.				
SCALE			SIZE CODE	
			D	CS
			5411846-0-1	
			NUMBER	
			5411846-0-1	
			REV.	H

THIS DRAWING AND ASSOCIATED INFORMATION ARE THE PROPERTY OF DIGITAL EQUIPMENT CORPORATION AND SHALL NOT BE REPRODUCED OR COPIED IN WHOLE OR IN PART WITHOUT THE WRITTEN PERMISSION OF DIGITAL EQUIPMENT CORPORATION © 1976 DIGITAL EQUIPMENT CORPORATION

8 7 6 5 4 3 2 1

COMPONENT SIDE VIEW



NOTES:
 1. ALL MANUFACTURING INFORMATION, DATE CODE, CIRCUIT SCHEMATIC, REV. QUALITY CONTROL STAMPS, ETC., ARE TO BE STAMPED ON ETCH SIDE (SIDE 2) OF MODULE.

CHK	CHANGE NO	REV
26	5411846-0-01	E
22	2	B
21	1	A

ETCH REV. D	DESIGN DATA BRSE REV. D
-------------	-------------------------

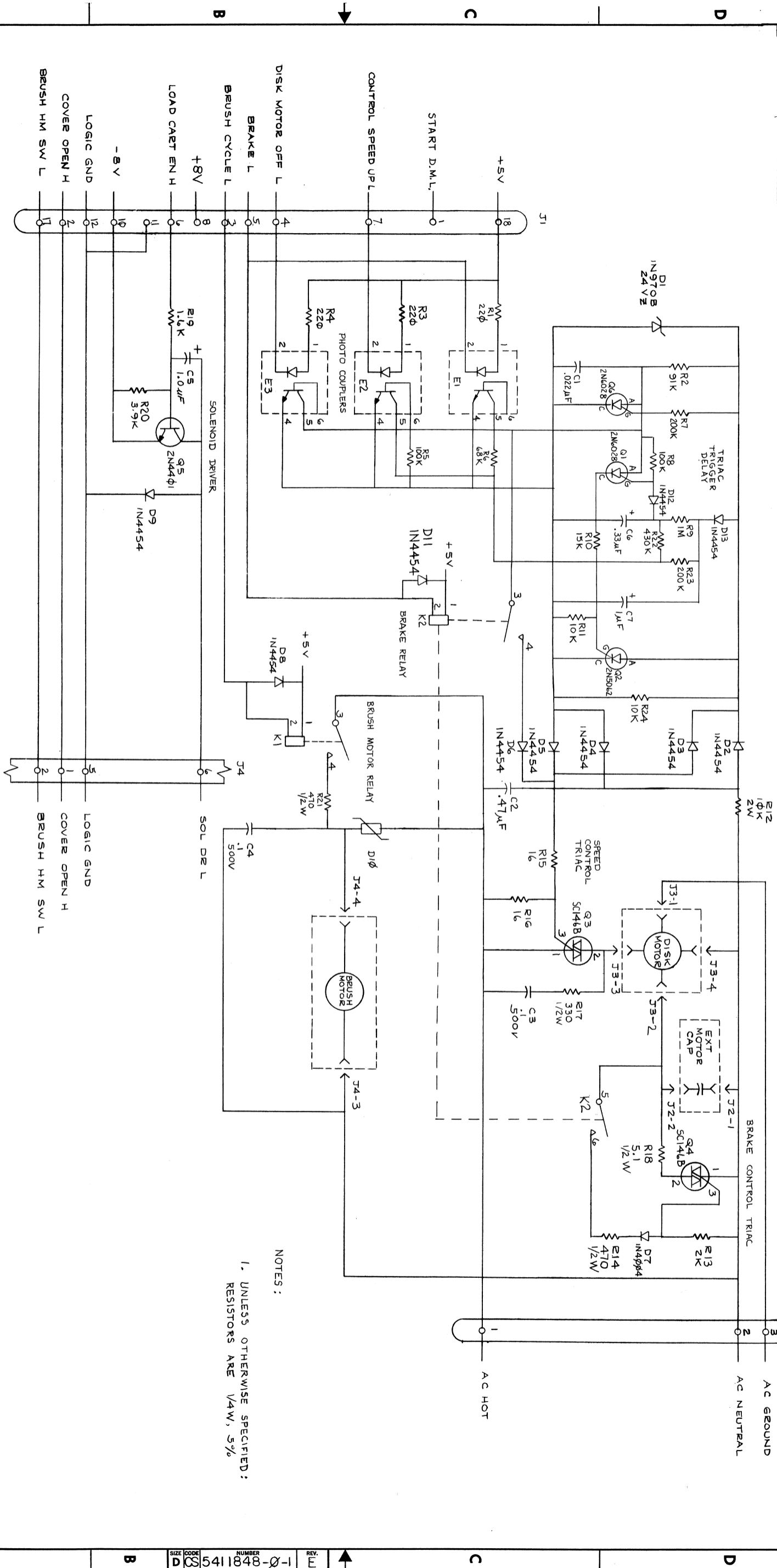
SIGNATURES	DATE
DRN. WRS/24	11/5/76
CHK'D. B. Bussard	1-11-77
ENG. J. J. J.	5/1/77
PROD.	
SCALE 2/1	
SHT. 1 OF 2	
NEXT HIGHER REV. B-DD-5411846-0	

SIZE CODE D U A 5411846-0-0 REV F

TITLE
 FRONT PANEL
 NUMBER
 5411846-0-0
 REV
 F

8 7 6 5 4 3 2 1 MS#

THIS DRAWING AND SPECIFICATIONS, HEREIN, ARE THE PROPERTY OF DIGITAL EQUIPMENT CORPORATION AND SHALL NOT BE REPRODUCED OR COPIED OR USED IN WHOLE OR IN PART WITHOUT WRITTEN PERMISSION OF CORPORATION © 1970, DIGITAL EQUIPMENT CORPORATION



NOTES:
1. UNLESS OTHERWISE SPECIFIED;
RESISTORS ARE 1/4W, 5%

REVISIONS		
CHK	CHANGE NO.	REV.
W	1	1
W	2	2
W	3	3
W	4	4
W	5	5
W	6	6
W	7	7
W	8	8

PHYLIS BURNELL
C. REICHENBERG
S411848-CX002
P. BURNELL

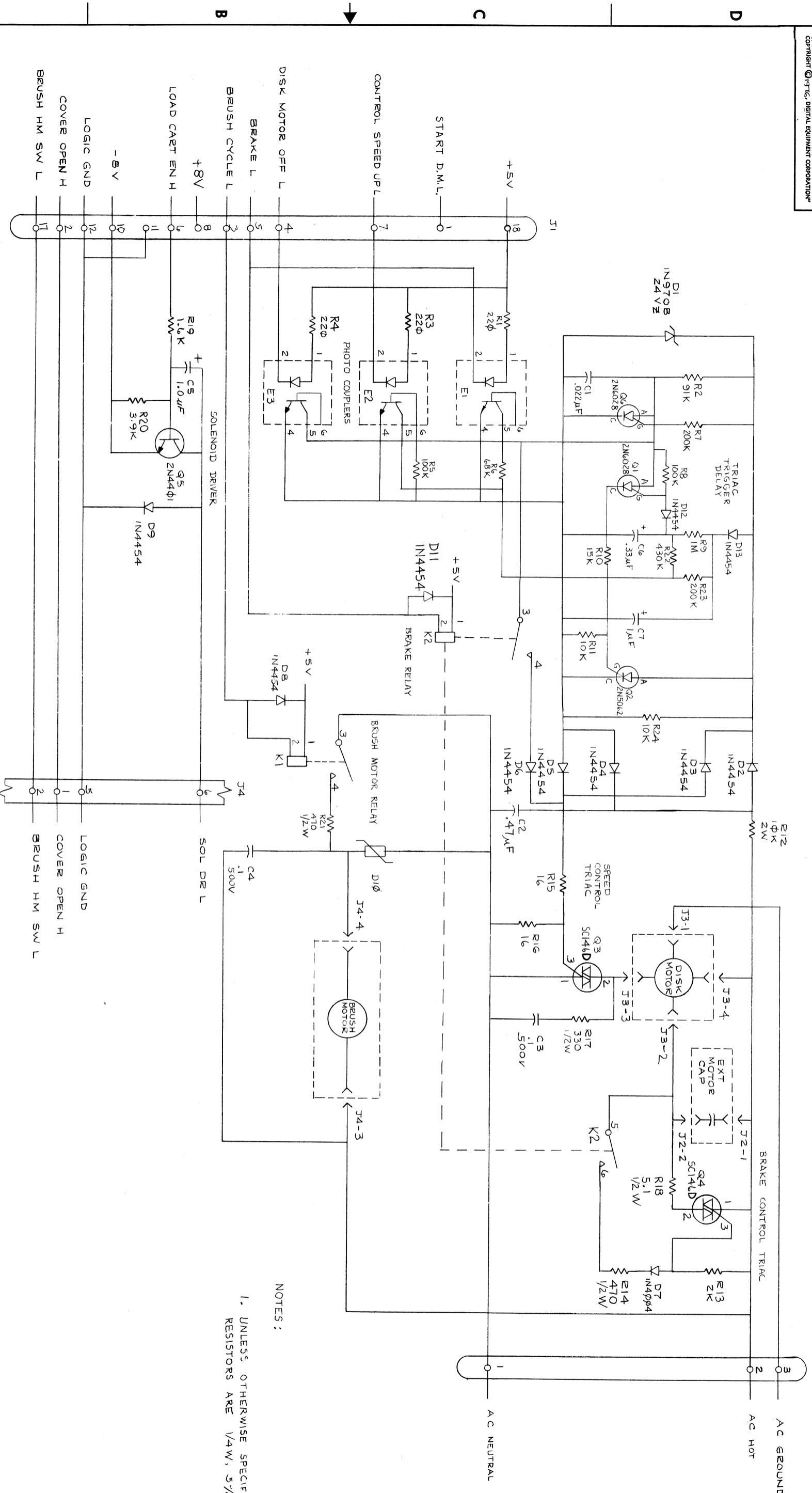
DRN.	DATE	BY	REV.	TITLE
W	1-14-70	W	1	AC SERVO
W	1-8-77	W	2	AC SERVO
W	6-7-77	W	3	AC SERVO
W	9-1-77	W	4	AC SERVO
W	9-1-77	W	5	AC SERVO
W	9-1-77	W	6	AC SERVO
W	9-1-77	W	7	AC SERVO
W	9-1-77	W	8	AC SERVO

AC SERVO

DRN.	W	DATE	1-14-70	BY	W	REV.	1	TITLE	AC SERVO
CHKD.	W	DATE	1-14-70	BY	W	REV.	1	TITLE	AC SERVO
ENG.	W	DATE	1-8-77	BY	W	REV.	2	TITLE	AC SERVO
PROJ. ENG.	W	DATE	6-7-77	BY	W	REV.	3	TITLE	AC SERVO
PROD. ENGR.	W	DATE	9-1-77	BY	W	REV.	4	TITLE	AC SERVO
NEXT HIGHER ASSY.									
DRAWING NUMBER	D-VA-5411848-0-0		SIZE	CODE		NUMBER			
SCALE	1		DIST.	CS		5411848-0-1		REV.	
SHEET	1		OF	1					

DRN.	W	DATE	1-14-70	BY	W	REV.	1	TITLE	AC SERVO
CHKD.	W	DATE	1-14-70	BY	W	REV.	1	TITLE	AC SERVO
ENG.	W	DATE	1-8-77	BY	W	REV.	2	TITLE	AC SERVO
PROJ. ENG.	W	DATE	6-7-77	BY	W	REV.	3	TITLE	AC SERVO
PROD. ENGR.	W	DATE	9-1-77	BY	W	REV.	4	TITLE	AC SERVO
NEXT HIGHER ASSY.									
DRAWING NUMBER	D-VA-5411848-0-0		SIZE	CODE		NUMBER			
SCALE	1		DIST.	CS		5411848-0-1		REV.	
SHEET	1		OF	1					

THIS DRAWING AND SPECIFICATIONS HEREIN ARE THE PROPERTY OF DIGITAL EQUIPMENT CORPORATION AND SHALL NOT BE REPRODUCED OR COPIED OR USED IN WHOLE OR IN PART AS THE BASIS FOR THE MANUFACTURE OR SALE OF ANY EQUIPMENT WITHOUT THE WRITTEN PERMISSION OF DIGITAL EQUIPMENT CORPORATION.



NOTES:
1. UNLESS OTHERWISE SPECIFIED:
RESISTORS ARE 1/4W, 5%

REVISIONS		
CHK	CHANGE NO.	REV.
8	5411848-0001	D
PHYLIS BURNELL		
G. REICHENBERG		
5411848-CX002		
P. BURNELL		
5411848-CZ003		
M. ZARICH		
M. Zarich		

RELEASED AT
REV C EQUAL TO
C1 PLUS FIELD
SERVICE ANNO-
TATION

5411848-0001
PHYLIS BURNELL

5411848-CX002
P. BURNELL

5411848-CZ003
M. ZARICH

M. Zarich

5411848-0001
PHYLIS BURNELL

5411848-CX002
P. BURNELL

5411848-CZ003
M. ZARICH

M. Zarich

5411848-0001
PHYLIS BURNELL

5411848-CX002
P. BURNELL

5411848-CZ003
M. ZARICH

M. Zarich

5411848-0001
PHYLIS BURNELL

5411848-CX002
P. BURNELL

5411848-CZ003
M. ZARICH

M. Zarich

REV. F

NUMBER 5411848-0-1

SIZE CODE CS

DRN. CODE 1-14-77

CHKD. BY Burnell

ENG. BY Burnell

PROL. ENG. BY Burnell

PROD. BY Burnell

NEXT HIGHER ASSY.

D-V-A-5411848-0-0

SCALE 1

SHEET 1 OF 1

REV. F

NUMBER 5411848-0-1

SIZE CODE CS

DRN. CODE 1-14-77

CHKD. BY Burnell

ENG. BY Burnell

PROL. ENG. BY Burnell

PROD. BY Burnell

NEXT HIGHER ASSY.

D-V-A-5411848-0-0

SCALE 1

SHEET 1 OF 1

REV. F

NUMBER 5411848-0-1

SIZE CODE CS

DRN. CODE 1-14-77

CHKD. BY Burnell

ENG. BY Burnell

PROL. ENG. BY Burnell

PROD. BY Burnell

NEXT HIGHER ASSY.

D-V-A-5411848-0-0

SCALE 1

SHEET 1 OF 1

REV. F

NUMBER 5411848-0-1

SIZE CODE CS

DRN. CODE 1-14-77

CHKD. BY Burnell

ENG. BY Burnell

PROL. ENG. BY Burnell

PROD. BY Burnell

NEXT HIGHER ASSY.

D-V-A-5411848-0-0

SCALE 1

SHEET 1 OF 1

REV. F

NUMBER 5411848-0-1

SIZE CODE CS

DRN. CODE 1-14-77

CHKD. BY Burnell

ENG. BY Burnell

PROL. ENG. BY Burnell

PROD. BY Burnell

NEXT HIGHER ASSY.

D-V-A-5411848-0-0

SCALE 1

SHEET 1 OF 1

REV. F

NUMBER 5411848-0-1

SIZE CODE CS

DRN. CODE 1-14-77

CHKD. BY Burnell

ENG. BY Burnell

PROL. ENG. BY Burnell

PROD. BY Burnell

NEXT HIGHER ASSY.

D-V-A-5411848-0-0

SCALE 1

SHEET 1 OF 1

REV. F

NUMBER 5411848-0-1

SIZE CODE CS

DRN. CODE 1-14-77

CHKD. BY Burnell

ENG. BY Burnell

PROL. ENG. BY Burnell

PROD. BY Burnell

NEXT HIGHER ASSY.

D-V-A-5411848-0-0

SCALE 1

SHEET 1 OF 1

REV. F

NUMBER 5411848-0-1

SIZE CODE CS

DRN. CODE 1-14-77

CHKD. BY Burnell

ENG. BY Burnell

PROL. ENG. BY Burnell

PROD. BY Burnell

NEXT HIGHER ASSY.

D-V-A-5411848-0-0

SCALE 1

SHEET 1 OF 1

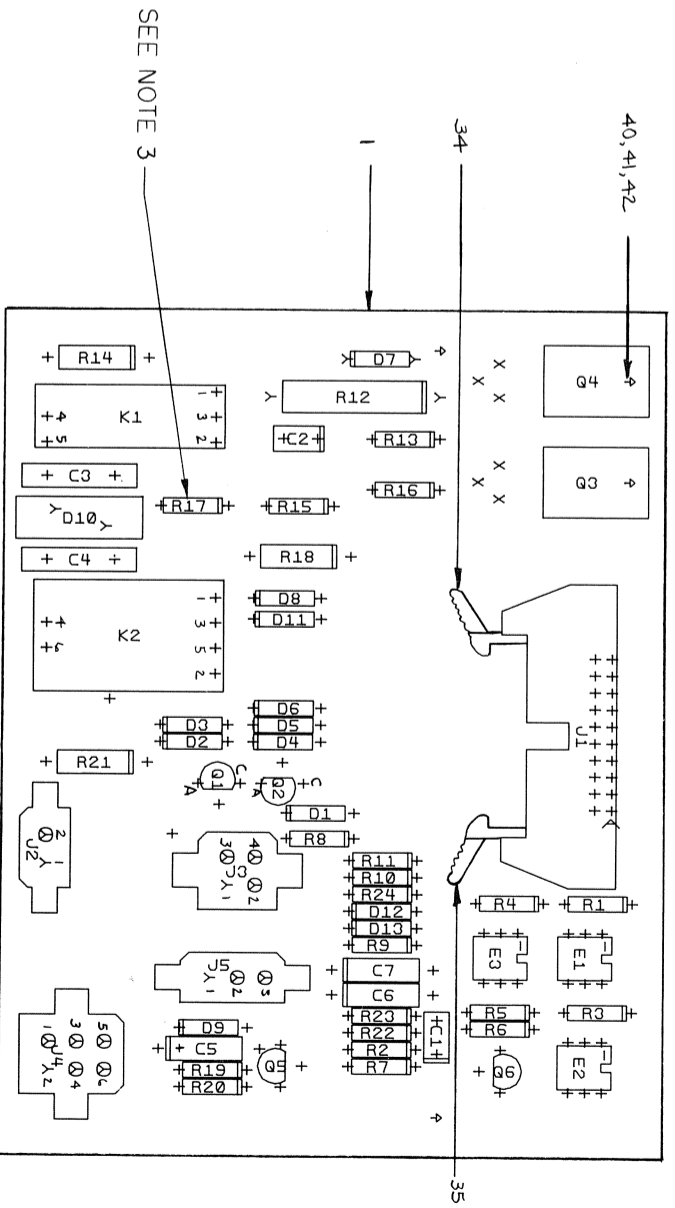
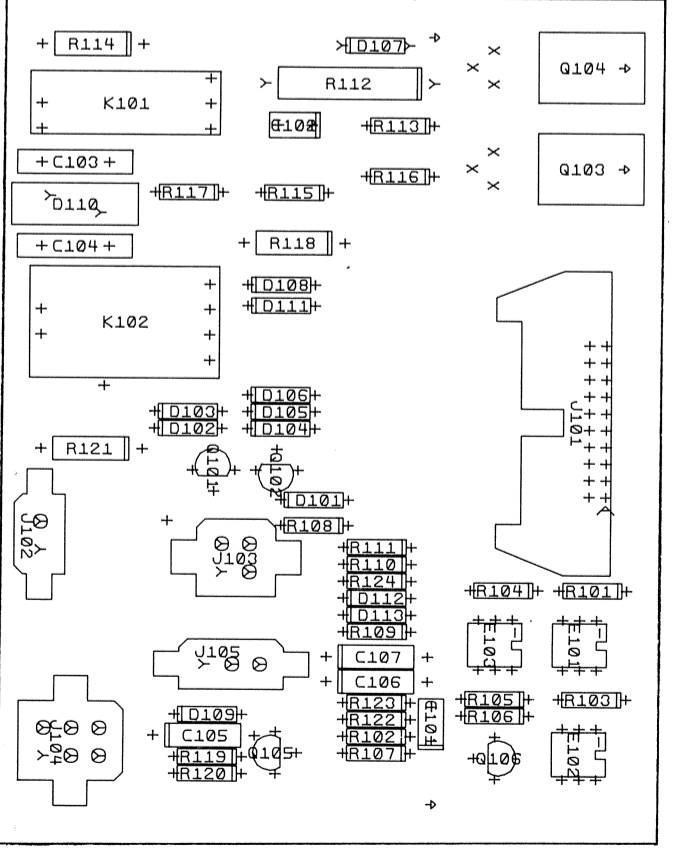
REV. F

NUMBER 5411848-0-1

SIZE CODE CS

THIS DRAWING AND SPECIFICATIONS, HEREIN, ARE THE PROPERTY OF DIGITAL EQUIPMENT CORPORATION AND NOT BE REPRODUCED OR COPIED IN WHOLE OR IN PART WITHOUT WRITTEN PERMISSION. © 1977 DIGITAL EQUIPMENT CORPORATION

ACTUAL REF DESIGNATOR	SUPERFICIAL REF DESIGNATORS
C1C2,C3,C4,C5,C6,C7	C101,C102,C103,C124,C105,C106,C107
D1D2,D3,D4,D5,D6,D7,D8,D9,D10	D101,D102,D103,D104,D105,D106,D107,D108,D109,D110,D111,D112,D113
E1E2E3	E101,E102,E103
K1K2K3	K101,K102,K103
J1J2,J3,J4,J5	J101,J102,J103,J104,J105
Q1Q2,Q3,Q4,Q5,Q6	Q101,Q102,Q103,Q104,Q105,Q106
R1,R2,R3,R4,R5,R6,R7,R8,R9,R10	R101,R102,R103,R104,R105,R106,R107,R108,R109,R110,R111,R112,R113,R114,R115,R116,R117,R118,R119,R120,R21,R22



CHK	CHANGE NO	REV
AB	541848-0001	D
	P. BURNELL	
	G. REICHENBERG	
	541848-CX002	L
	P. BURNELL	

ETCH REV.	E-P2
P.C. DESIGN DATA BRSE REV.	E-P2

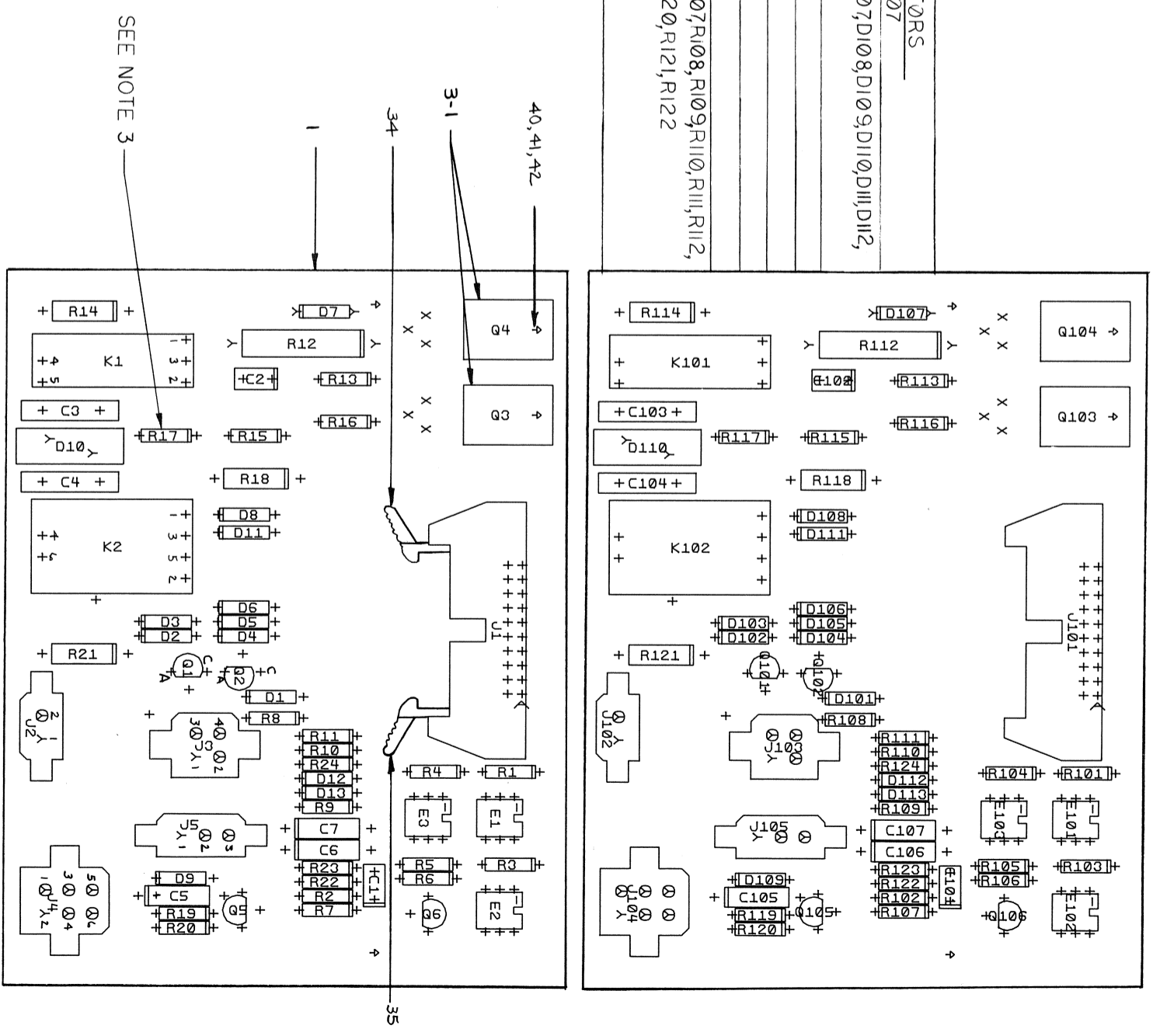
DRN.	DATE	SIGNATURES
CHK. D.	DATE	SIGNATURES
ENG.	DATE	SIGNATURES
PROD. ENG.	DATE	SIGNATURES
SCALE	2/1	
SIZE CODE	D	
NUMBER	541848-0-0	
REV	E	

- NOTES:
- B HOLES - PHSS (1-000-0045) PREPARED ONLY
 - APPROVAL REQUIRED
 - REWORK INSTRUCTIONS:
 - REMOVE R17 (330Ω 1/4W, 5%)
 - INSTALL R17 (330Ω 1/2W, 5%)

8 7 6 5 4 3 2 1 MS# 260285

THIS DRAWING AND SPECIFICATIONS, HEREIN, ARE THE PROPERTY OF DIGITAL EQUIPMENT CORPORATION AND SHALL REMAIN THE PROPERTY OF SAID CORPORATION WHETHER OR NOT PART OF THE BIDS FOR THE MANUFACTURE OR SALE OF THE EQUIPMENT DESCRIBED HEREIN. EQUIPMENT CORPORATION © 1977

ACTUAL REF DESIGNATOR	SUPERFICIAL REF DESIGNATORS
C1C2,C3,C4,C5,C6,C7	C101,C102,C103,C104,C105,C106,C107
D1,D2,D3,D4,D5,D6,D7,D8,D9,D10	D101,D102,D103,D104,D105,D106,D107,D108,D109,D110,D111,D112,D113
E1,E2,E3	E101,E102,E103
K1,K2,K3	K101,K102,K103
J1,J2,J3,J4,J5	J101,J102,J103,J104,J105
Q1,Q2,Q3,Q4,Q5,Q6	Q101,Q102,Q103,Q104,Q105,Q106
R1,R2,R3,R4,R5,R6,R7,R8,R9,R10	R101,R102,R103,R104,R105,R106,R107,R108,R109,R110,R111,R112,R113,R114,R115,R116,R117,R118,R119,R120,R121,R122



- NOTES:
- B HOLES 0.045 ±0.005-0.0453 MINIMUM ONLY
 - U/L APPROVAL REQUIRED
 - REWORK INSTRUCTIONS:
 - REMOVE R17 (330Ω, 1/4W, 5%)
 - INSTALL R17 (330Ω, 1/2W, 5%)

CHK	CHANGE NO	REV
2B	5411848-0001	D
	P. BURNELL	
	G. REICHENBERG	
1/4/77	5411848-CX002	U
	P. BURNELL	
1/18/77	5411848-C2003	U
	M. ZARICH	
	m. zarich	

ETCH REV.	E-P2
PLG. DESIGN DRTR BRSE REV.	F-P2

SIGNATURES	DATE
DRN. I. [Signature]	10/27/77
CHK. D. [Signature]	10/27/77
ENG. [Signature]	10/27/77
PROJ. ENG. [Signature]	10/27/77
PROD. [Signature]	10/27/77
SHT. 1 OF 4	
NEXT HIGHER ASSY. B-DD-5411848-0	