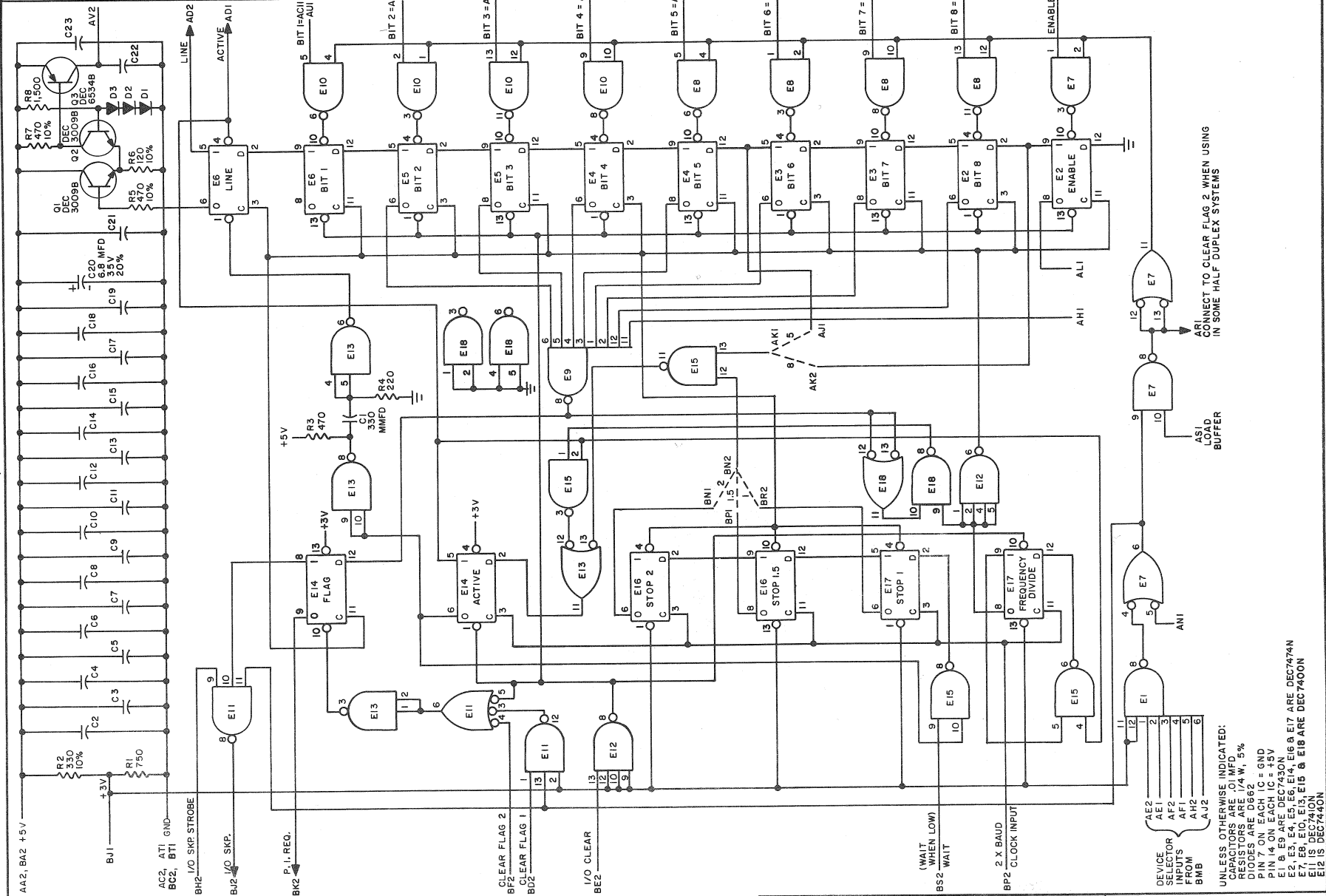


THIS SCHEMATIC IS FURNISHED ONLY FOR TEST AND MAINTENANCE PURPOSES. THE CIRCUITS ARE PROPRIETARY IN NATURE AND SHOULD BE TREATED ACCORDINGLY. COPYRIGHT 1967 BY DIGITAL EQUIPMENT CORPORATION



REV.	CHG	NO.	REV.
1	5357	1	A
2	5379	1	B

DRN.	DATE	DATE
<i>M. Waller</i>	5-29-67	
CHKD	DATE	
<i>Robert</i>	5/25/67	
ENG	DATE	
<i>W. Roberts</i>	5-23-67	
PROD.	DATE	

TRANSISTOR & DIODE CONVERSION CHART			
DEC	EIA	DEC	EIA
D662	1N645		
DEC3009B	2N3009		
DEC6534B	MPS6534		

digital
EQUIPMENT CORPORATION
MAYNARD, MASSACHUSETTS

TITLE		TELETYPE TRANSMITTER M707	
SIZE	CODE	NUMBER	REV.
C	CS	M707-0-1	B
PRINTED CIRCUIT REV.			C

DEC FORM NO. 010
DEC 102