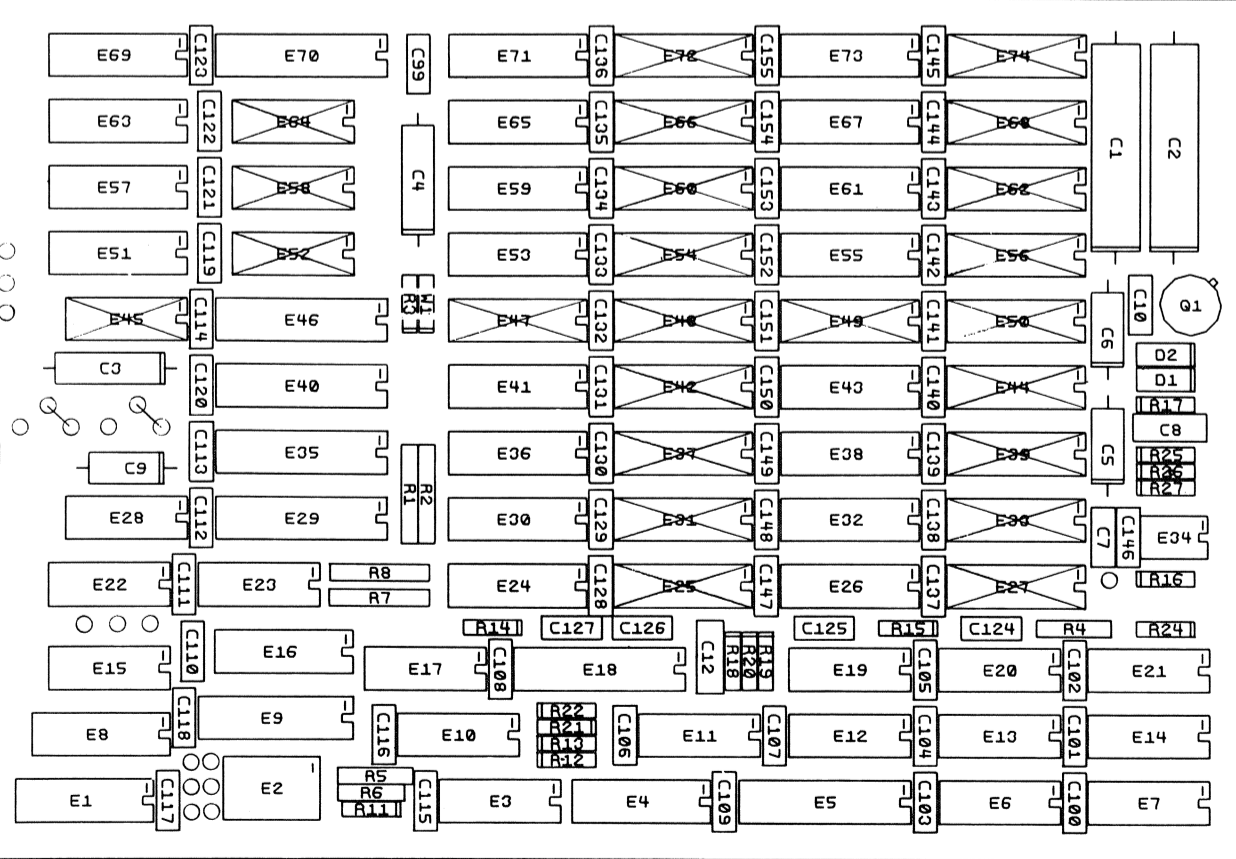


THIS DRAWING AND ALL INFORMATION CONTAINED HEREIN IS UNCLASSIFIED EXCEPT WHERE SHOWN OTHERWISE. IT IS THE PROPERTY OF THE AIR FORCE AND IS LOANED TO YOU. IT AND ITS CONTENTS ARE NOT TO BE DISTRIBUTED OUTSIDE YOUR ORGANIZATION. DATE 12/7/78 BY 137/78

8 7 6 5 4 3 2 1

MODULE VARIATIONS AA' CA



CHK	CHANGE NO	REV

NOTES:

SIGNATURES	DATE	TITLE
DRN.	2/1	digital
CHK. D.	3/1	
ENG.		
PROJ. ENG.		
PROD.		
SCALE	2/1	32K 16 BIT MOS MEMORY
SHT.	2 OF 8	SIZE CODE NUMBER
		0 UA M8044-0-0
		REV D
		NEXT HIGHER ASSY: E-DD-M8044-0-0

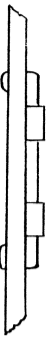
8 7 6 5 4 3 2 1 ml 1 MS# 261956

ITEM CODE NUMBER REV
D UA M8044 - 0 - 0 D

THIS DRAWING AND THE PARTS LISTED THEREIN ARE THE PROPERTY OF THE UNITED STATES GOVERNMENT AND ARE LOANED TO YOU BY THE NATIONAL BUREAU OF STANDARDS. IT IS TO BE RETURNED TO THE NATIONAL BUREAU OF STANDARDS, 4331 RESISTANCE AVENUE, GAITHERSBURG, MARYLAND 20878. DATE OF ORIGINAL ISSUE: 1972. NATIONAL BUREAU OF STANDARDS, DISTRICT EQUIPMENT CORPORATION.

MODULE VARIATIONS BA & DA

1. W2 THRU W5 SHOULD BE INSTALLED WITH ASSEMBLY SPACERS SO THAT THEY LOOK LIKE THE FOLLOWING:



2. R PACKS SHOULD BE INSTALLED SO THAT LEADS DO NOT INTERFERE WITH OTHER COMPONENTS

3. WIRE WRAP PIN.

4. MEMORY TYPE JUMPER CONFIG VARIATION NON-PARITY 5-7 BA, DA

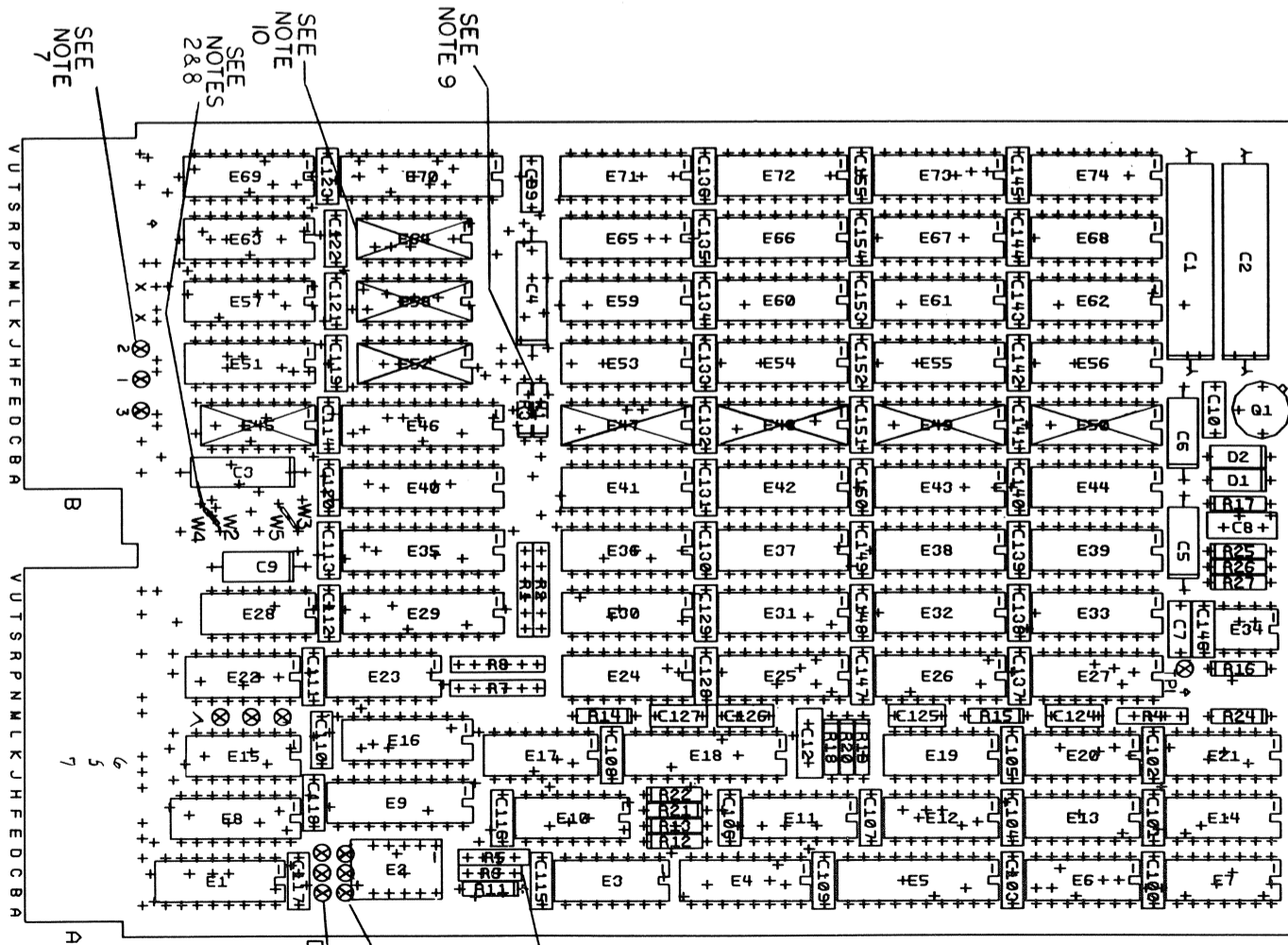
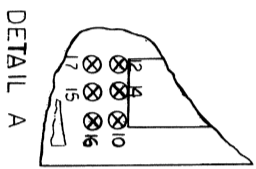
5. MEMORY SIZE JUMPER CONFIG VARIATION 8K 7-15 16-15 10-14 32K BA, DA

6. OPTIONAL JUMPER 12 WILL ALLOW USER TO EXTEND USABLE MEMORY SPACE FROM 28K TO 30K. NORMAL JUMPER IS 13.

8. JUMPER BATTERY BACK-UP	NON-BATTERY BACK-UP
W2	OUT IN
W3	OUT IN
W4	IN IN
W5	IN OUT

9. MEMORY SIZE	W	R	3	VARIAION
8K	IN	OUT	IN	BA
32K	OUT	IN	OUT	DA

10. THE FOLLOWING IC'S ARE NOT INSTALLED IN BA & DA VARIATIONS: E45, 47, 48, 49, 50, 52, 58 & 64.



NOTES:

CHK	CHANGE NO	REV

ETCH REV. D-D	REV. D
FILE DESIGN DATA BRGE REV. D	REV. D

SIGNATURES	DATE
DRN. V. T. 3-20-72	3-20-72
CHK. D. R. 3-20-72	3-20-72
ENG. Y. M. 3-20-72	3-20-72
PROJ. ENG.	
SCALE 2/1	
SHT. 3 OF 8	
NEXT HIGHER ASSY. B-DD-M8044-0	

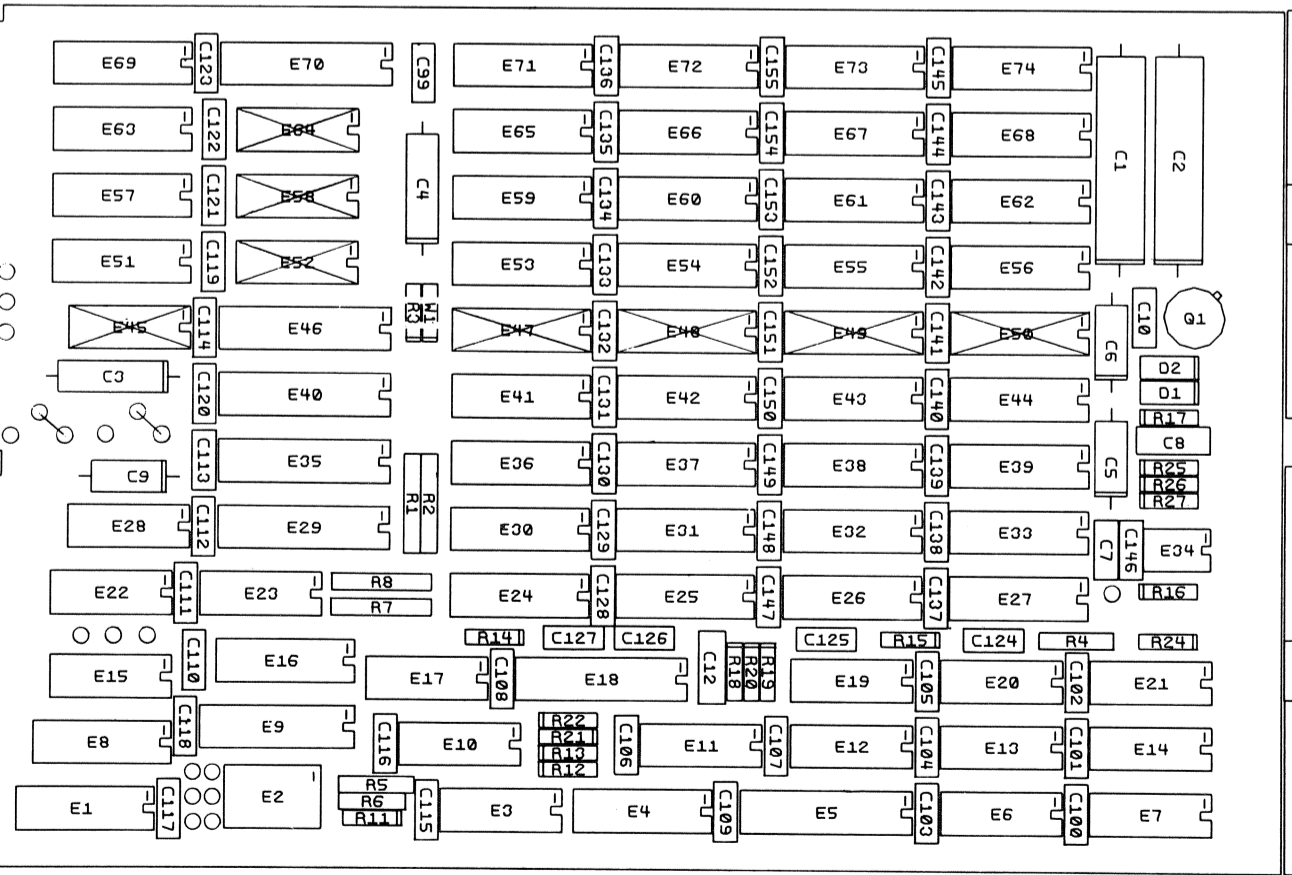
8 7 6 5 4 3 2 1 MS# 261966

DUA M8044 - 0 - 0 D

THIS DRAWING IS THE PROPERTY OF THE UNITED STATES GOVERNMENT. IT IS TO BE REPRODUCED AND COPIED IN WHOLE OR IN PART WITHOUT LIMITATION. IT IS TO BE DISTRIBUTED AND COPIED IN WHOLE OR IN PART WITHOUT LIMITATION. IT IS TO BE DISTRIBUTED AND COPIED IN WHOLE OR IN PART WITHOUT LIMITATION. 1972

8 7 6 5 4 3 2 1

MODULE VARIATIONS BA4 DA



NOTES:

CHK	CHANGE	NO	REV

SIGNATURES	DATE
DRN. <i>[Signature]</i>	3-1-72
CHK'D. <i>[Signature]</i>	3-1-72
ENG. <i>[Signature]</i>	3-1-72
PROD. ENG.	
TITLE	
32K 16BIT MOS MEMORY	
SCALE	
SHT. 4 OF 8	
REV	
NUMBER	
UA M8044-0-0 D	
REV	
NUMBER	
UA M8044-0-0 D	
REV	
NUMBER	
UA M8044-0-0 D	

8 7 6 5 4 3 2 1

UUA M8044 - 0 - 0

UUA M8044 - 0 - 0

ML 1 MS# 261966

THIS DRAWING AND PERTAINING INFORMATION ARE THE PROPERTY OF THE UNITED STATES GOVERNMENT AND ARE NOT TO BE REPRODUCED OR TRANSMITTED IN ANY FORM OR BY ANY MEANS, ELECTRONIC OR MECHANICAL, INCLUDING PHOTOCOPYING, RECORDING, OR BY ANY INFORMATION STORAGE AND RETRIEVAL SYSTEM, WITHOUT PERMISSION IN WRITING FROM THE UNITED STATES GOVERNMENT.

8

7

6

5

4

3

2

1

NOTES:

1. \otimes = WIRE WRAP PIN

TYPE MEMORY	JUMPER CONFIGURATION
NON PARITY	5 TO 7
PARITY	5 TO 6

TYPE	JUMPER CONFIGURATION
4K	17 TO 15 & 17 TO 14
8K	17 TO 15 & 12 TO 14
16K	16 TO 15 & 16 TO 14
32K	16 TO 15 & 10 TO 14

5. NORMAL JUMPER 1 TO 3. OPTIONAL JUMPER 1 TO 2. WILL ALLOW USER TO EXTEND USABLE MEMORY SPACE FROM 28K TO 30K.

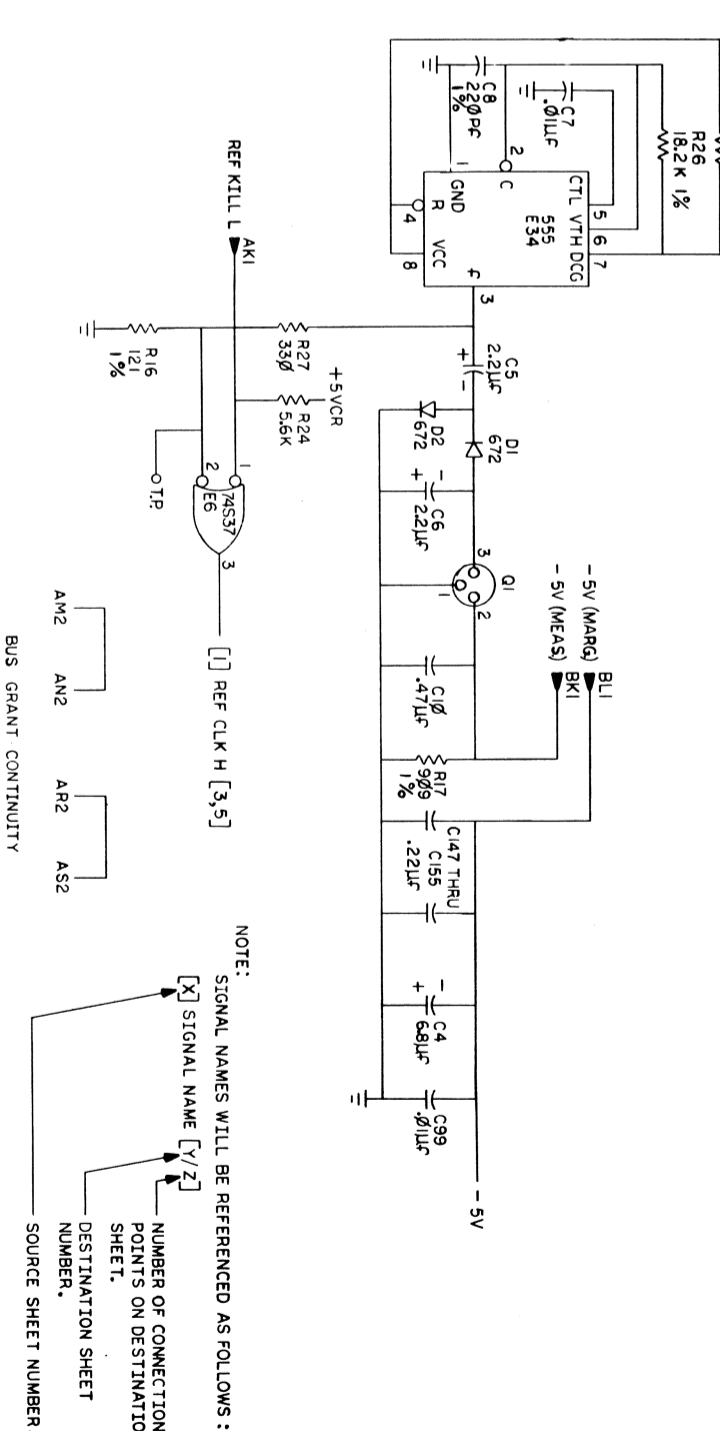
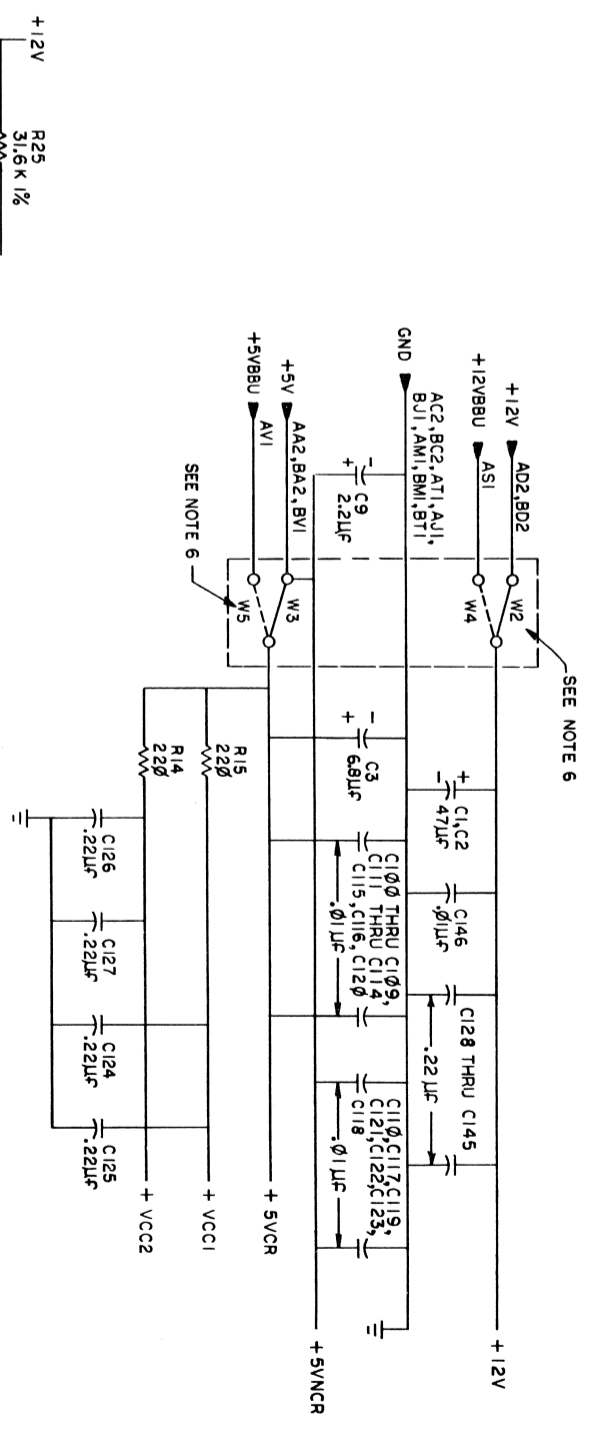
JUMPER	BATTERY BACK-UP	NON BATTERY BACK-UP
W2	OUT	IN
W3	OUT	IN
W4	IN	OUT
W5	IN	OUT

MEMORY SIZE	W1	R3
4K	IN	OUT
8K	IN	OUT
16K	OUT	IN
32K	OUT	IN

OPTION DESIGNATION	PRIMARY VARIATION	SYSTEM DESCRIPTION
MSVII-DA	M8044-AA	4K X 16 BITS
MSVII-DB	M8044-BA	8K X 16 BITS
MSVII-DC	M8044-CA	16K X 16 BITS
MSVII-DD	M8044-DA	32K X 16 BITS

DEC (X)	OCTAL	SWTGH SETTING (X = OFF)				
		SI-1	SI-2	SI-3	SI-4	SI-5
0	000000					
4	020000					X
8	040000					X
12	060000					X
16	100000					X
20	120000					X
24	140000					X
28	160000					X
32	200000					X
36	220000					X
40	240000					X
44	260000					X
48	300000					X
52	320000					X
56	340000					X
60	360000					X
64	400000					X
68	420000					X
72	440000					X
76	460000					X
80	500000					X
84	520000					X
88	540000					X
92	560000					X
96	600000					X
100	620000					X
104	640000					X
108	660000					X
112	700000					X
116	720000					X
120	740000					X
124	760000					X

10. THESE I.C.'S USED ONLY IN 8K & 32K CONFIG'S.



NOTE:
 [X] SIGNAL NAMES WILL BE REFERENCED AS FOLLOWS:
 [Y/Z] SIGNAL NAME [Y/Z]
 NUMBER OF CONNECTION POINTS ON DESTINATION SHEET.
 DESTINATION SHEET NUMBER.
 SOURCE SHEET NUMBER.

REVISIONS		
CHK	CHANGE NO.	REV.
	M8044-00001	B
	STEVE WILK 17 MAY 78	
	R GIVEN	
	A. Given M6-27B	
	M8044 ML002	C
	G. Gossard 13 DEC 78	
	R GIVEN	
	G. Given 27 DEC 78	

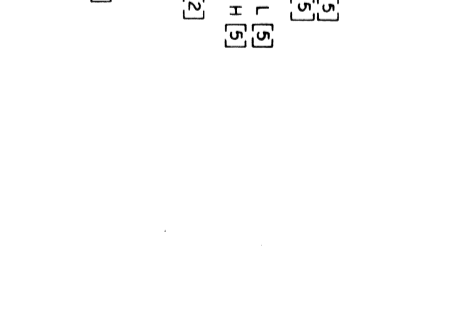
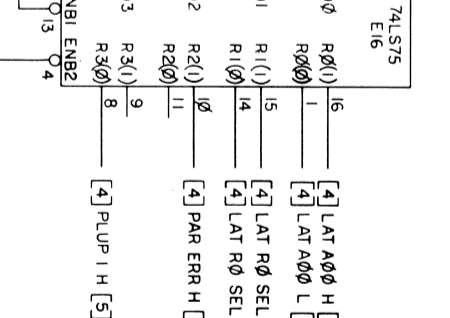
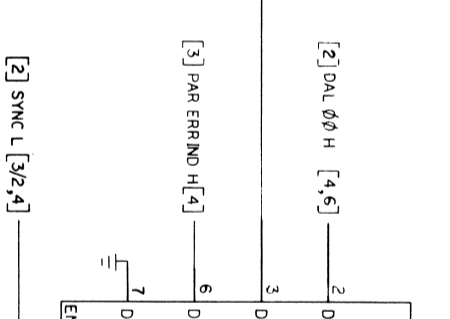
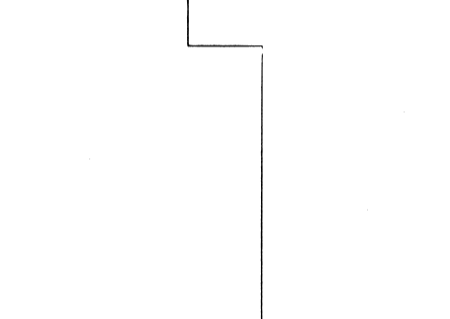
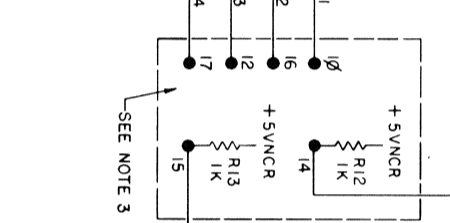
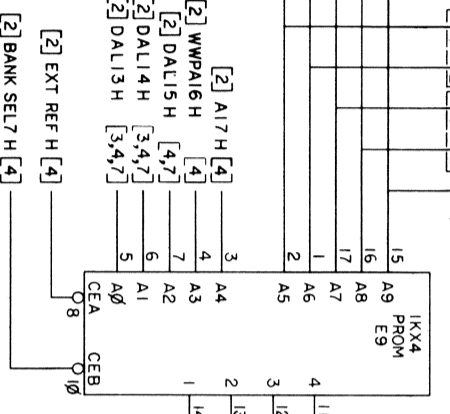
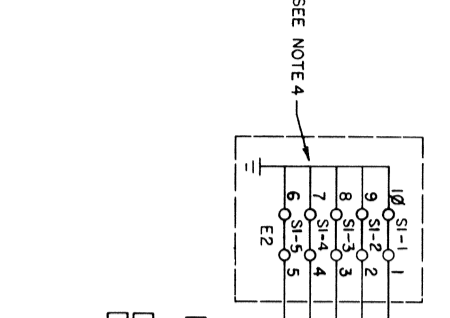
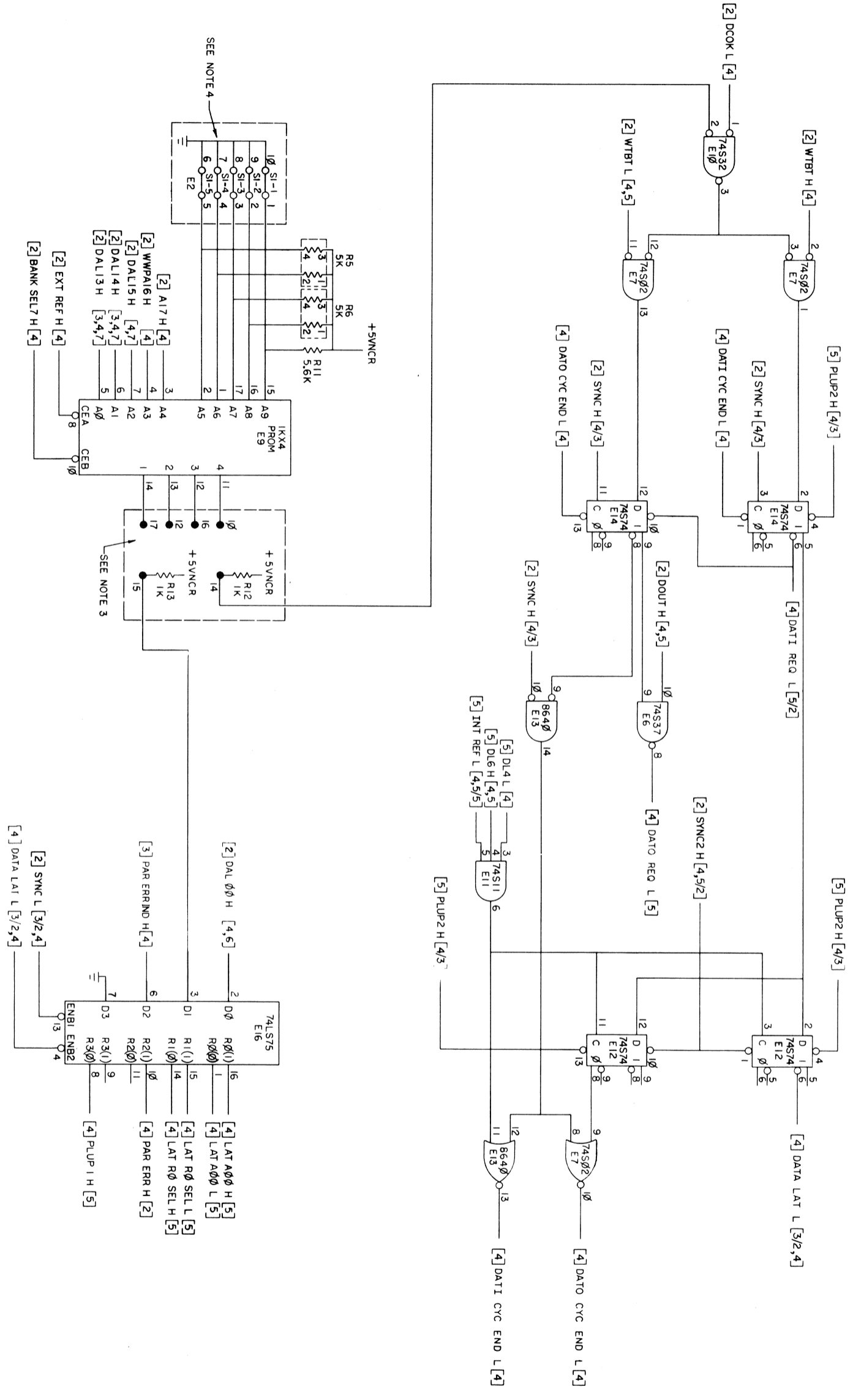
DRN: Steve Gossard 10-25-78	FIRST USED ON: MSVII-D	digital
CHK'D R: Given 2-21-78	TITLE: 32K 16BIT	
ENG: P. Given 2-21-78	PROJ ENG: R. Given 2-21-78	MOS MEM
PRD: P. Given 2-21-78	SCALE: 1	
NEXT HIGHER ASSY: BDD-M8044-0	SIZE CODE: D	NUMBER: M8044-0-1
REV: 1	CS	C

8 7 6 5 4 3 2 1

8 7 6 5 4 3 2 1

8 7 6 5 4 3 2 1

THIS DRAWING AND SPECIFICATIONS, HEREIN ARE THE PROPERTY OF DIGITAL EQUIPMENT CORPORATION AND NOT TO BE REPRODUCED OR TRANSMITTED IN ANY FORM OR BY ANY MEANS, ELECTRONIC OR MECHANICAL, INCLUDING PHOTOCOPYING, RECORDING, OR BY ANY INFORMATION STORAGE AND RETRIEVAL SYSTEM, WITHOUT THE WRITTEN PERMISSION OF DIGITAL EQUIPMENT CORPORATION.



REVISIONS	
CHK	CHANGE NO.

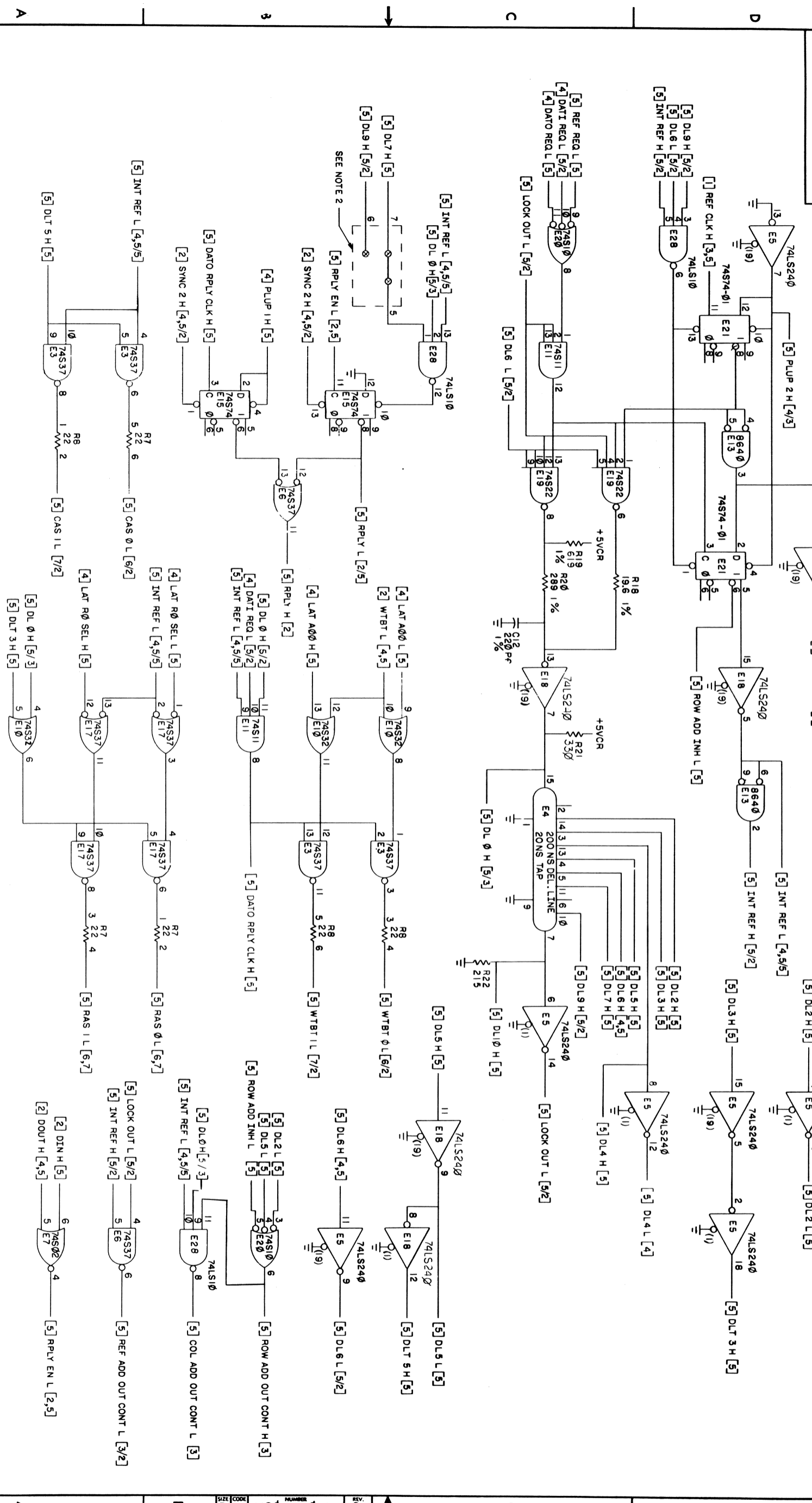
REV.	NUMBER	DESCRIPTION

TITLE	32K 16 BIT MOS MEM
SCALE	
SHEET	4 OF 7
SIZE	
CODE	
NUMBER	M8044-0-1
REV.	C

8 7 6 5 4 3 2 1

REV. C M8044-0-1 DCS

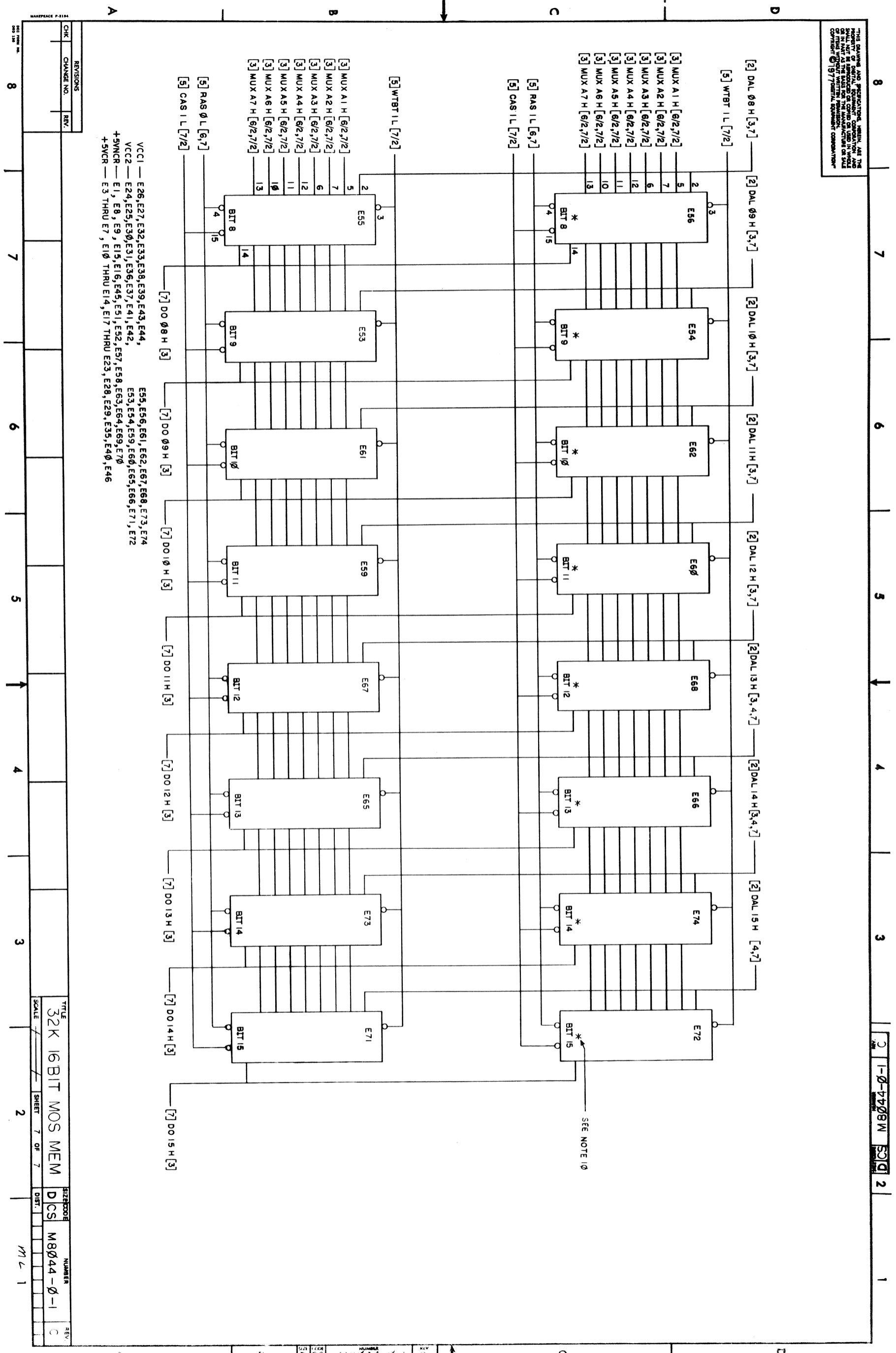
THIS DRAWING AND SPECIFICATION, HEREIN, ARE THE PROPERTY OF DIGITAL EQUIPMENT CORPORATION AND ARE TO BE USED BY THE BUYER FOR THE MANUFACTURE OF THIS PRODUCT ONLY. NO OTHER REPRODUCTION OR DISTRIBUTION IS PERMITTED WITHOUT THE WRITTEN CONSENT OF DIGITAL EQUIPMENT CORPORATION.



REV.	NUMBER	SIZE/CODE	D/C/S	SCALE	SHEET	TITLE
C	M8044-0-1	D/C/S	M8044-0-1	5 OF 7	32K 16 BIT MOS MEM	32K 16 BIT MOS MEM
TITLE: 32K 16 BIT MOS MEM SCALE: 1:1 SHEET: 5 OF 7 NUMBER: M8044-0-1 D/C/S: D/C/S SIZE/CODE: D/C/S						

REV.	NUMBER	SIZE/CODE	D/C/S	SCALE	SHEET	TITLE
C	M8044-0-1	D/C/S	M8044-0-1	5 OF 7	32K 16 BIT MOS MEM	32K 16 BIT MOS MEM

THIS DRAWING AND PERTINENT REVISIONS ARE THE PROPERTY OF MICRON TECHNOLOGY, INC. AND SHALL NOT BE REPRODUCED OR COPIED IN WHOLE OR IN PART WITHOUT THE WRITTEN PERMISSION OF MICRON TECHNOLOGY, INC. IN THE EVENT OF A DISCREPANCY BETWEEN THIS DRAWING AND THE MANUFACTURING DRAWING, THE MANUFACTURING DRAWING SHALL PREVAIL. REVISIONS ARE INDICATED BY A CIRCLED NUMBER.



REV	CHG	NO.	REV	DATE	BY	CHK	DATE	BY
1								
2								
3								
4								
5								
6								
7								
8								