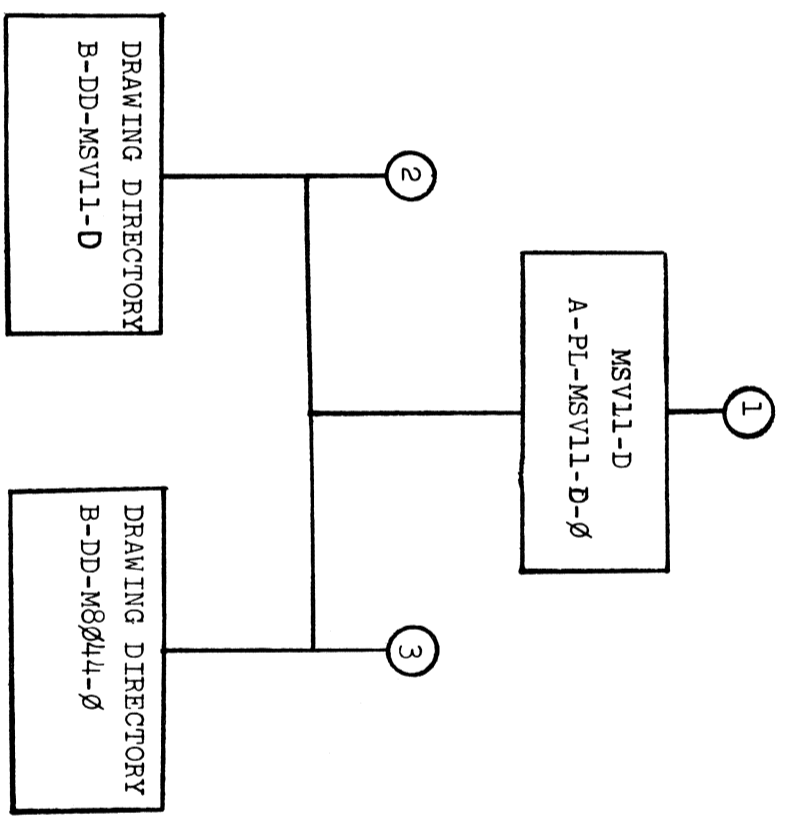


"THIS DRAWING AND SPECIFICATIONS, HEREIN, ARE THE PROPERTY OF DIGITAL EQUIPMENT CORPORATION AND SHALL NOT BE REPRODUCED OR COPIED OR USED IN WHOLE OR IN PART AS THE BASIS FOR THE MANUFACTURE OR SALE OF ITEMS WITHOUT WRITTEN PERMISSION. COPYRIGHT © 1977 DIGITAL EQUIPMENT CORPORATION"



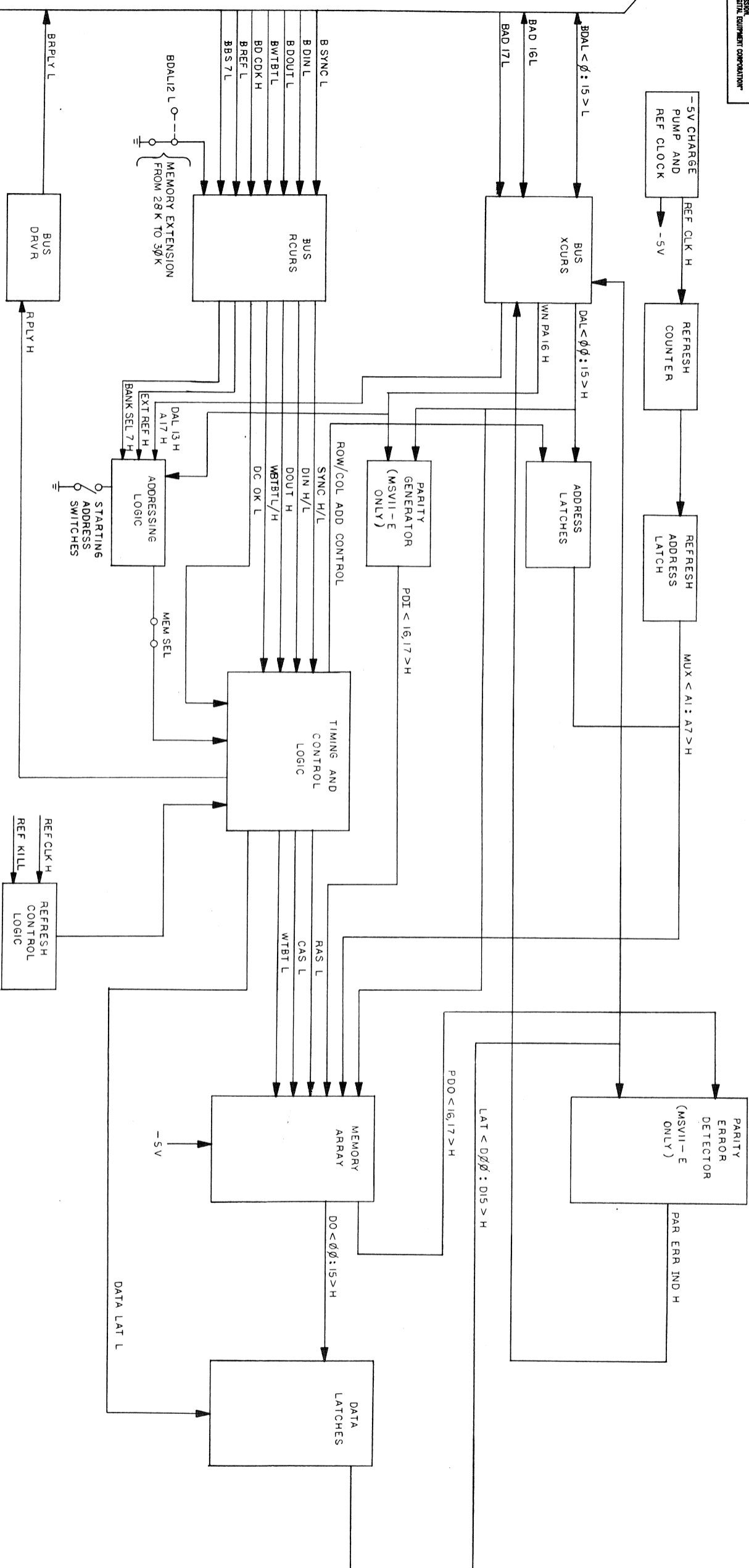
REV. A
NUMBER — D
SIZE CODE B DD
NUMBER — D

TITLE DRAWING DIRECTORY	SHEET 2 OF 3	SIZE CODE B DD	NUMBER MSV11 — D	REV A
MSV11-D (32K X 16)				
MOS MEMORY SYSTEM				

ML

THIS DRAWING AND SPECIFICATIONS HEREIN ARE THE PROPERTY OF DIGITAL EQUIPMENT CORPORATION AND ARE NOT TO BE REPRODUCED OR COPIED IN WHOLE OR IN PART AS THE BASIS FOR THE MANUFACTURE OR SALE OF ANY EQUIPMENT WITHOUT WRITTEN PERMISSION FROM DIGITAL EQUIPMENT CORPORATION.

LSI-II "Q" BUS



REVISIONS	
CHK	REV.

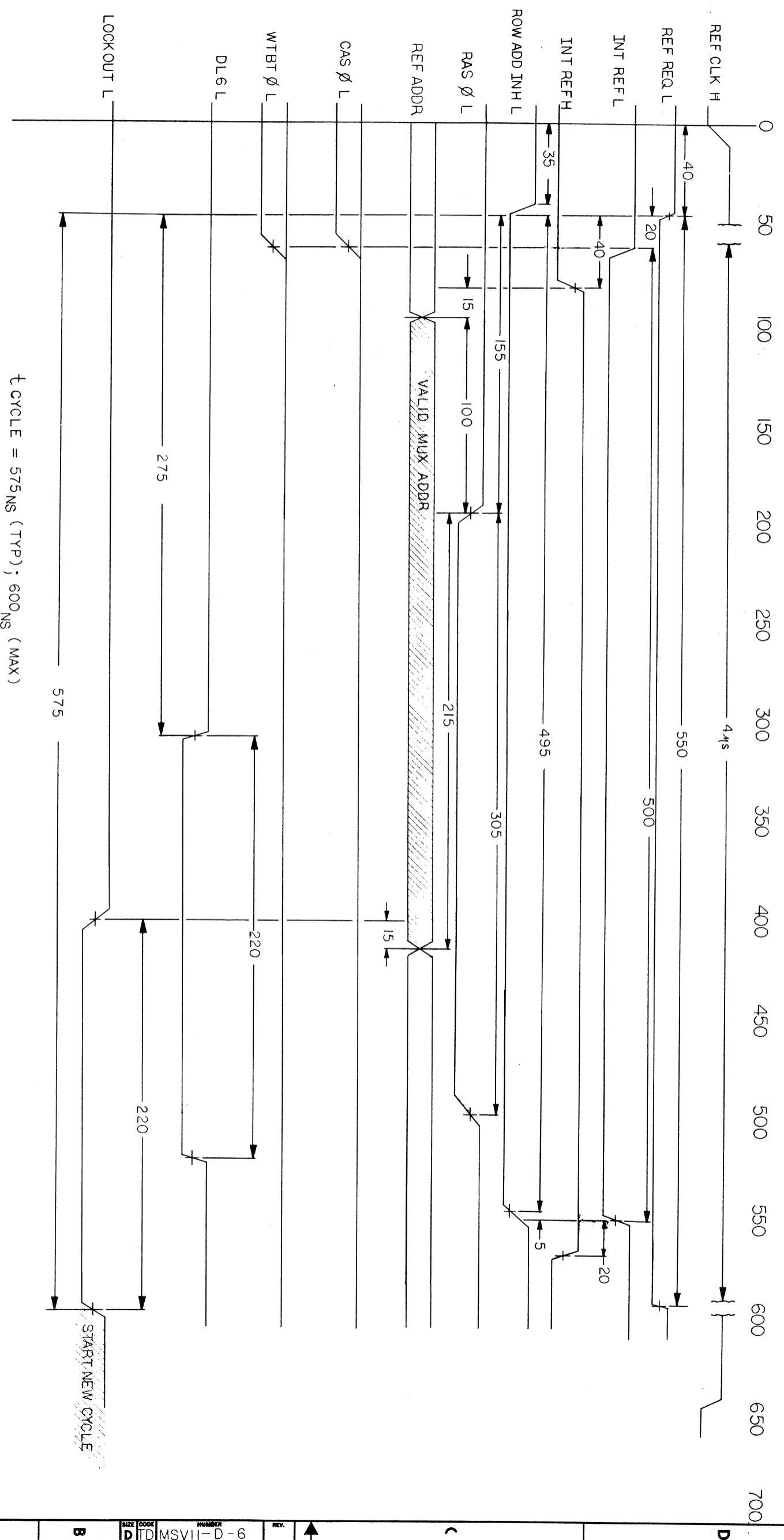
FIRST USED ON	
CHKD R. GIBBY	2-21-78
ENG. R. GIBBY	2-21-78
PROJ. ENG. R. GIBBY	2-21-78
PROD. J. P. ...	2-21-78
NEXT HIGHER ASSY.	
B-DD-MSVII-D/E	
SCALE	
SHEET	1 OF 1

TITLE
MSVII D/E
BLOCK DIAGRAM

THIS DRAWING AND SPECIFICATIONS, HEREIN, ARE THE PROPERTY OF DIGITAL EQUIPMENT CORPORATION AND SHALL NOT BE REPRODUCED OR TRANSMITTED IN ANY FORM OR BY ANY MEANS WITHOUT WRITTEN PERMISSION. DIGITAL EQUIPMENT CORPORATION © 1977.

8 7 6 5 4 3 2 1

REFRESH CYCLE



t_c CYCLE = 575 NS (TYP); 600 NS (MAX)

REVISIONS	
CHK	CHANGE NO.

DRN. E. DeVeto	17/10/77	FIRST USED ON	
CHK'D R. Givens	2-21-78	TITLE	MSVII D/E TIMING
ENG. R. Givens	2-21-78	DIAGRAM	
PROD. ENG. R. Givens	2-21-78	SIZE CODE	D
PROD. R. Givens	2-21-78	NUMBER	MSVII-D-6
NEXT HIGHER ASSY.		SCALE	1 OF 4
BDD-MSVII-D/E		SHEET	2

SIZE CODE NUMBER REV.
D TD MSVII-D-6

