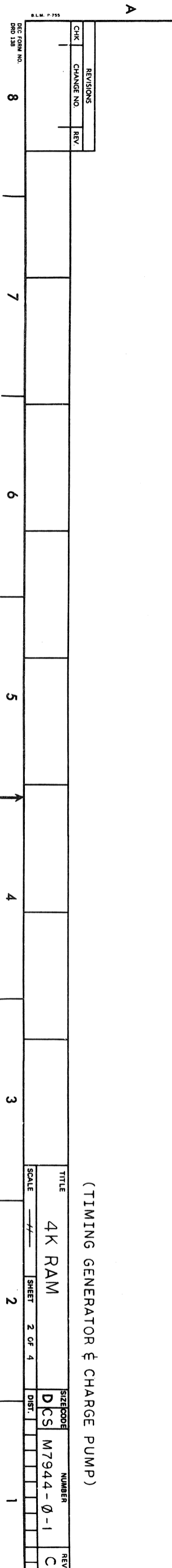
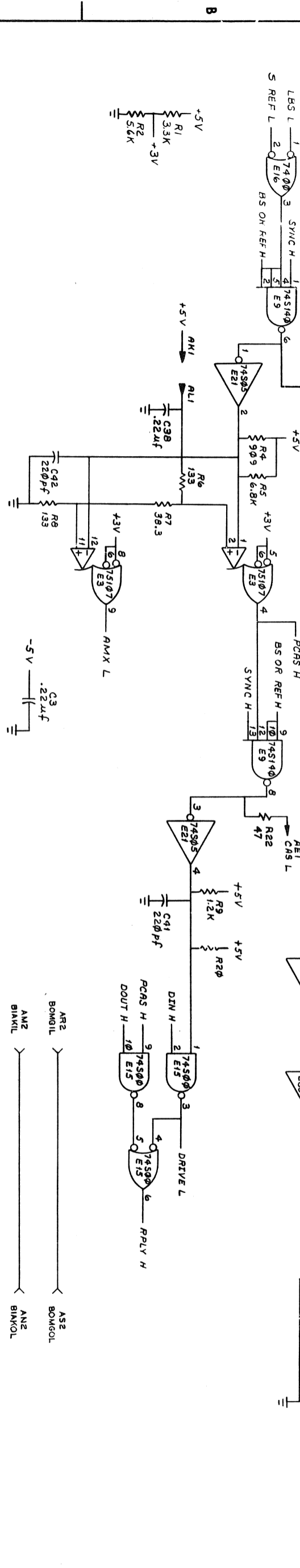
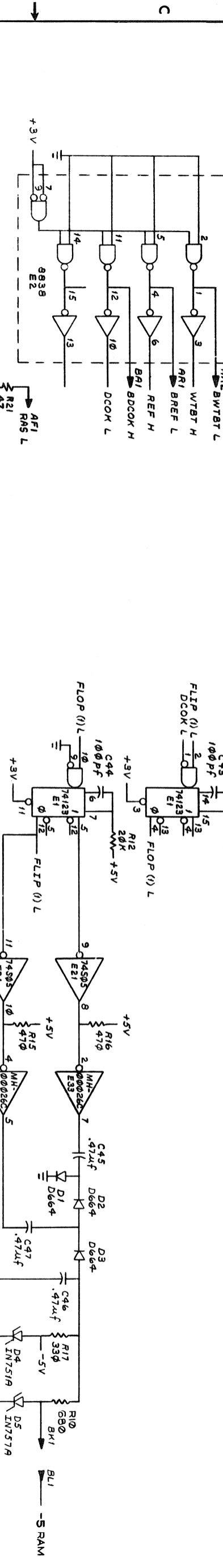
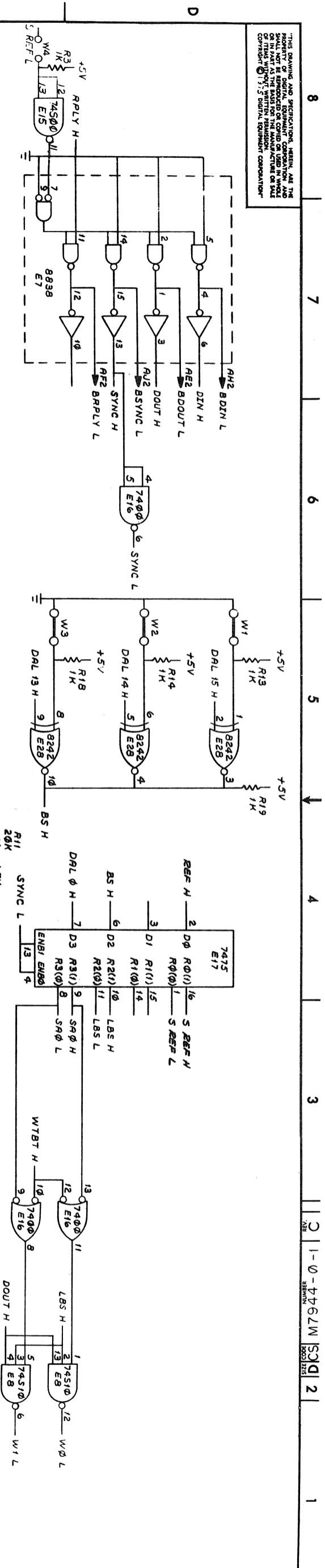


THIS DRAWING AND SPECIFICATIONS, HEREIN, ARE THE PROPERTY OF DIGITAL EQUIPMENT CORPORATION, AND NO PART IS TO BE REPRODUCED OR TRANSMITTED IN ANY FORM OR BY ANY MEANS WITHOUT WRITTEN PERMISSION FROM THE MANUFACTURER OR SALES REPRESENTATIVE OF DIGITAL EQUIPMENT CORPORATION.



(TIMING GENERATOR & CHARGE PUMP)

REVISIONS	
CHK	CHANGE NO.

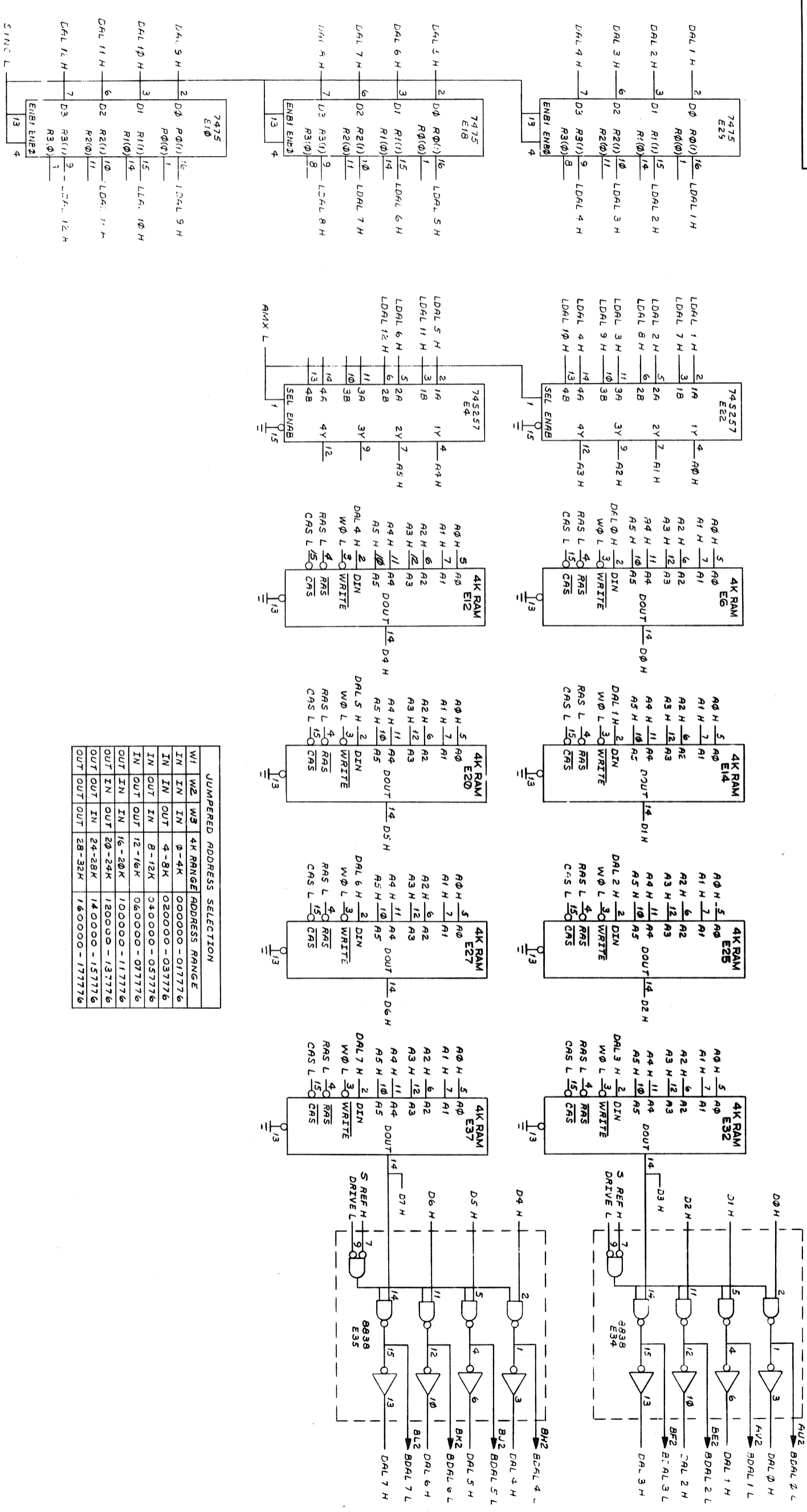
TITLE	SIZE CODE	NUMBER	REV.
4K RAM	DCS	M7944-0-1	C

SCALE	SHEET	2 OF 4

DCS FORM NO.	DWG NO.

DCS	M7944-0-1

THIS DRAWING AND SPECIFICATIONS HEREIN ARE THE PROPERTY OF THE MANUFACTURER AND SHALL NOT BE REPRODUCED OR COPIED OR USED IN WHOLE OR IN PART AS THE BASIS FOR THE MANUFACTURE OF SAME WITHOUT THE WRITTEN CONSENT OF THE MANUFACTURER. COPYRIGHT © 1975 DIGITAL EQUIPMENT CORPORATION



W1	W2	W3	4K RANGE	ADDRESS RANGE
IN	IN	IN	0-4K	000000-017776
IN	IN	OUT	4-8K	020000-037776
IN	OUT	IN	8-12K	040000-057776
OUT	IN	OUT	12-16K	060000-077776
OUT	IN	IN	16-20K	100000-117776
OUT	IN	OUT	20-24K	120000-137776
OUT	OUT	IN	24-28K	140000-157776
OUT	OUT	OUT	28-32K	160000-177776

(RAM & DRIVER)

REVISIONS	
CHK	CHANGE NO

TITLE: 4K RAM
 NUMBER: M7944-0-1
 SHEET: 3 OF 1
 SCALE: ---
 SIZE: ---
 DIST: ---
 REVISIONS: ---
 CHECKED: ---
 DATE: ---

2 1-0-4764V SCQ 2

1

1-0-4764V M7944-0-1

