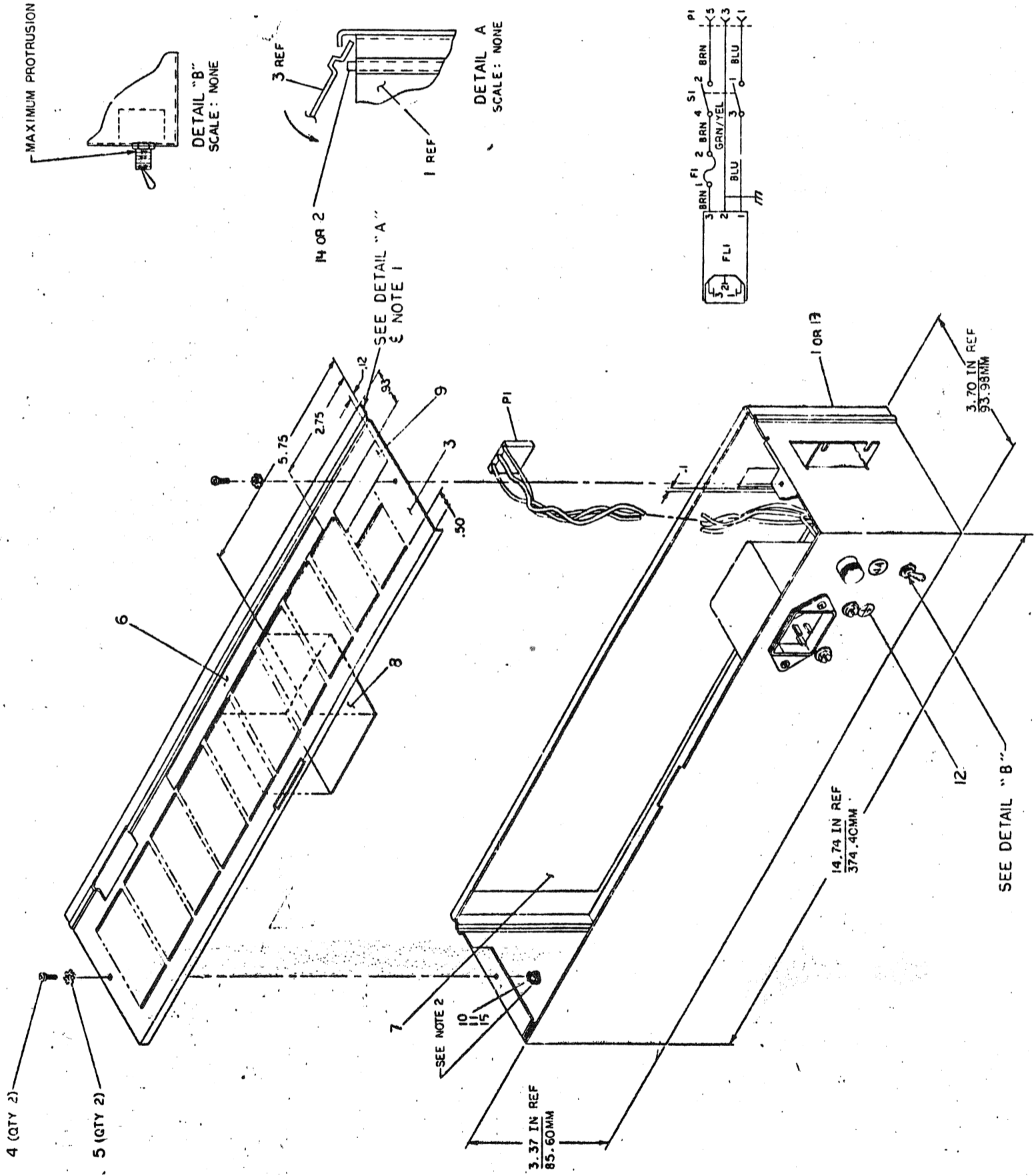


TITLE	SHEET 2 OF 3	SIZE CODE	NUMBER	REV
POWER SUPPLY H7837	3	B DD	H7837-0	A

8 7 6 5 4 3 2

NOTES:
 1 WHEN ASSEMBLING COVER TO CHASSIS, COVER MUST SLIP UNDER LIP ON CHASSIS AS SHOWN IN DETAIL "A".
 2 ATTACH GROUND LEAD FROM ITEM #2



CAUTION: OFF SHEET PARTS LIST EXISTS ON K-PL-H7837-O-DSP

REV	DESCRIPTION	DATE	BY	CHKD	APP'D
1	ISSUED FOR PRODUCTION	11/1/78	J. J. [Signature]	[Signature]	[Signature]
2	REVISION				
3	REVISION				
4	REVISION				
5	REVISION				
6	REVISION				
7	REVISION				
8	REVISION				

NO.	DESCRIPTION	QTY	UNIT	ASSEMBLY	OPERATION	TIME	OPERATOR
1	COVER	1	PCB				
2	CHASSIS	1	PCB				
3	WIRING	1	PCB				
4	GROUND LEAD	1	PCB				
5	WIRING	1	PCB				
6	WIRING	1	PCB				
7	WIRING	1	PCB				
8	WIRING	1	PCB				

NO.	DESCRIPTION	QTY	UNIT	ASSEMBLY	OPERATION	TIME	OPERATOR
1	COVER	1	PCB				
2	CHASSIS	1	PCB				
3	WIRING	1	PCB				
4	GROUND LEAD	1	PCB				
5	WIRING	1	PCB				
6	WIRING	1	PCB				
7	WIRING	1	PCB				
8	WIRING	1	PCB				

NO.	DESCRIPTION	QTY	UNIT	ASSEMBLY	OPERATION	TIME	OPERATOR
1	COVER	1	PCB				
2	CHASSIS	1	PCB				
3	WIRING	1	PCB				
4	GROUND LEAD	1	PCB				
5	WIRING	1	PCB				
6	WIRING	1	PCB				
7	WIRING	1	PCB				
8	WIRING	1	PCB				

NO.	DESCRIPTION	QTY	UNIT	ASSEMBLY	OPERATION	TIME	OPERATOR
1	COVER	1	PCB				
2	CHASSIS	1	PCB				
3	WIRING	1	PCB				
4	GROUND LEAD	1	PCB				
5	WIRING	1	PCB				
6	WIRING	1	PCB				
7	WIRING	1	PCB				
8	WIRING	1	PCB				

NO.	DESCRIPTION	QTY	UNIT	ASSEMBLY	OPERATION	TIME	OPERATOR
1	COVER	1	PCB				
2	CHASSIS	1	PCB				
3	WIRING	1	PCB				
4	GROUND LEAD	1	PCB				
5	WIRING	1	PCB				
6	WIRING	1	PCB				
7	WIRING	1	PCB				
8	WIRING	1	PCB				

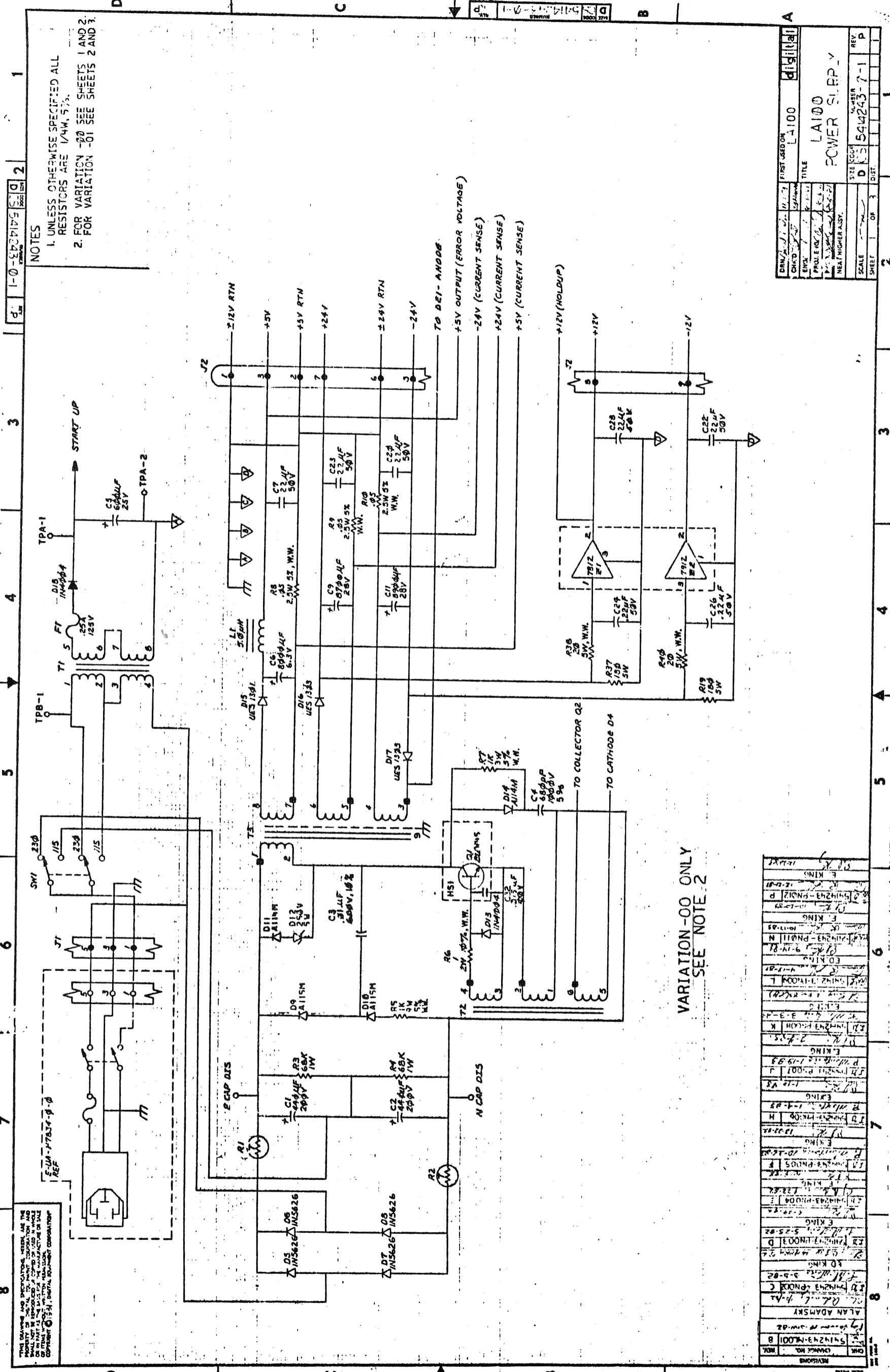
QUANTITY PER VARIATION
00 AA

P A R T S L I S T

AUTOMATED BY FRTLST.40(47)

LINE ITEM	DOCUMENT NUMBER	PART NUMBER	DESCRIPTION	QUANTITY
1	E-AD-7017877-0-0	7017877-00	CHASSIS ASSY.	1
2	D-UA-5414243-0-0	5414243-00	POWER SUPPLY LA100	1
3	D-MD-7420755-0-0	7420755-00	COVER	1
4		9006418-01	SCREW,TAP PAN PHIL THD RL 8-	2
5		9008151-00	WASHER,LOCK EXTERNAL STEEL	2
6	A-PS-3618294-0-0	3618294-01	LABEL,DANGER HIGH VOLTAGE	1
7	A-PS-3617973-0-0	3617973-01	LABEL,INSULATOR ADH. 11.5 X 3.2	1
8	A-PS-3617973-0-0	3617973-02	LABEL,INSULATOR ADH. 2.25X 3.25	1
9	A-PS-3616157-0-0	3616157-00	LABEL,CORRECT VOLTAGE SETTING,CA	1
10		9006563-00	NUT,HEX EXT TOOTH LCKWSHR 8-32	1
11		9009988-08	SCREW,SEMS HEX SLOT 8-	1
12		3612680-00	DECAL, GROUND SIGN PER 3E6 *	1
13		7017877-01	CHASSIS ASSY	1
14		5414243-01	POWER SUPPLY	1
15		9008072-00	WASHER,LOCK EXTERNAL STEEL	1

REVISION HISTORY	BASIC PART NO:	H7837	DRN:	J. NELSON	DATE:	30-JUN-83	TITLE	PARTS LIST
ENG	ECO NUMBER	REV	SECTION A	OF A				
	INITIAL							
ING	H7837-PN001	A					POWER SUPPLY H7837	
IEK	H7837-PN004	B					H7837	
IEK	H7837-PN005	C						
IEK	H7837-PN006	D						
IEK	H7837-PN007	E						
		F						
		G						
		H						
		I						
		J						
		K						
		L						
		M						
		N						
		O						
		P						
		Q						
		R						
		S						
		T						
		U						
		V						
		W						
		X						
		Y						
		Z						
		AA						
		AB						
		AC						
		AD						
		AE						
		AF						
		AG						
		AH						
		AI						
		AJ						
		AK						
		AL						
		AM						
		AN						
		AO						
		AP						
		AQ						
		AR						
		AS						
		AT						
		AU						
		AV						
		AW						
		AX						
		AY						
		AZ						
		BA						
		BB						
		BC						
		BD						
		BE						
		BF						
		BG						
		BH						
		BI						
		BJ						
		BK						
		BL						
		BM						
		BN						
		BO						
		BP						
		BQ						
		BR						
		BS						
		BT						
		BU						
		BV						
		BW						
		BX						
		BY						
		BZ						
		CA						
		CB						
		CC						
		CD						
		CE						
		CF						
		CG						
		CH						
		CI						
		CJ						
		CK						
		CL						
		CM						
		CN						
		CO						
		CP						
		CQ						
		CR						
		CS						
		CT						
		CU						
		CV						
		CW						
		CX						
		CY						
		CZ						
		DA						
		DB						
		DC						
		DD						
		DE						
		DF						
		DG						
		DH						
		DI						
		DJ						
		DK						
		DL						
		DM						
		DN						
		DO						
		DP						
		DQ						
		DR						
		DS						
		DT						
		DU						
		DV						
		DW						
		DX						
		DY						
		DZ						
		EA						
		EB						
		EC						
		ED						
		EE						
		EF						
		EG						
		EH						
		EI						
		EJ						
		EK						
		EL						
		EM						
		EN						
		EO						
		EP						
		EQ						
		ER						
		ES						
		ET						
		EU						
		EV						
		EW						
		EX						
		EY						
		EZ						
		FA						
		FB						
		FC						
		FD						
		FE						
		FF						
		FG						
		FH						
		FI						
		FJ						
		FK						
		FL						
		FM						
		FN						
		FO						
		FP						
		FQ						
		FR						
		FS						
		FT						
		FU						
		FV						
		FW						
		FX						
		FY						
		FZ						
		GA						
		GB						
		GC						
		GD						
		GE						
		GF						
		GG						
		GH						
		GI						
		GJ						
		GK						
		GL						
		GM						
		GN						
		GO						
		GP						
		GQ						
		GR						
		GS						
		GT						



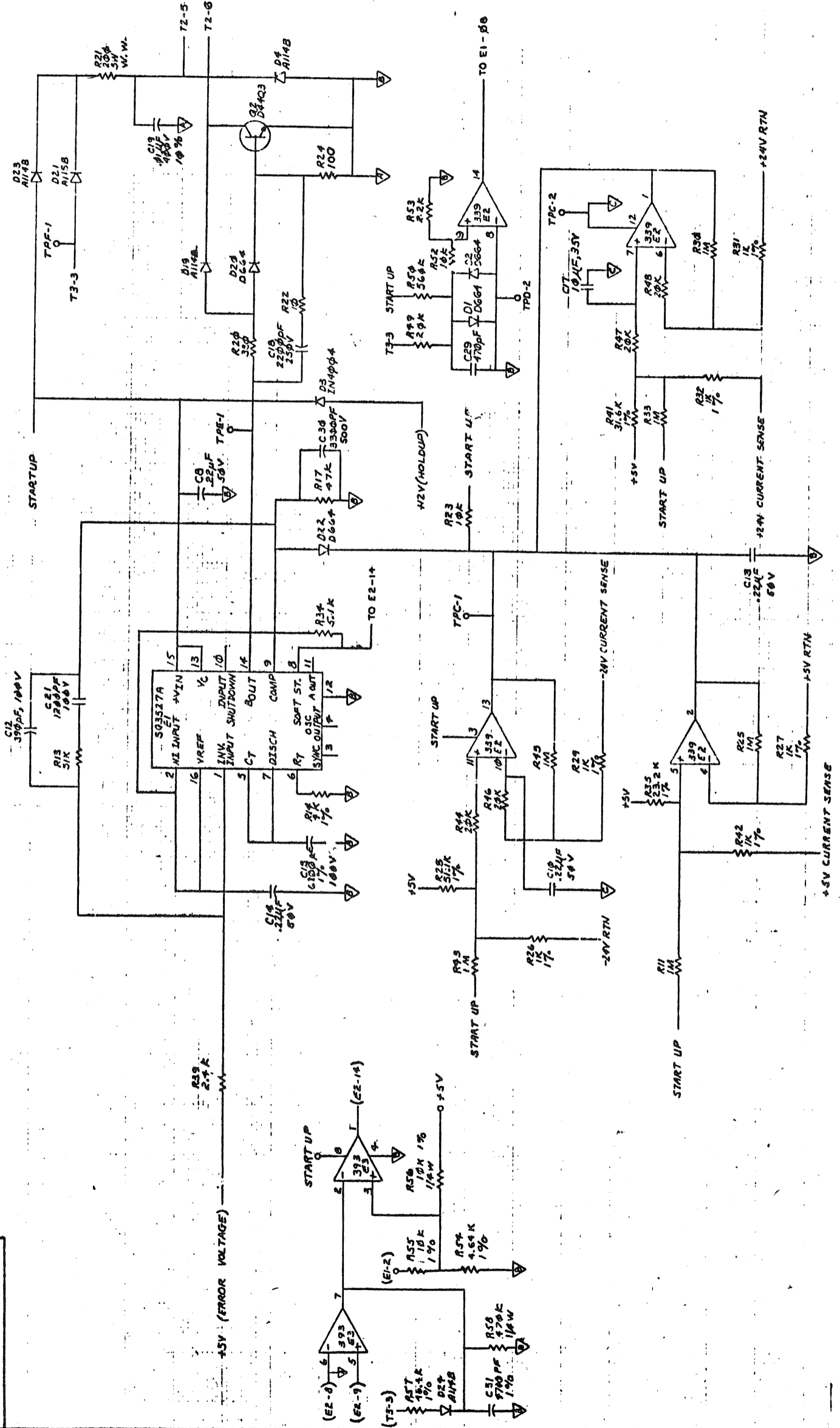
NOTES
 1. UNLESS OTHERWISE SPECIFIED ALL RESISTORS ARE 1/4W, 5%
 2. FOR VARIATION -00 SEE SHEETS 1 AND 2
 3. FOR VARIATION -01 SEE SHEETS 2 AND 3

THIS DRAWING AND SPECIFICATIONS HEREIN ARE THE PROPERTY OF THE UNITED STATES GOVERNMENT AND ARE NOT TO BE REPRODUCED OR TRANSMITTED IN ANY FORM OR BY ANY MEANS, ELECTRONIC OR MECHANICAL, INCLUDING PHOTOCOPYING, RECORDING, OR BY ANY INFORMATION STORAGE AND RETRIEVAL SYSTEM, WITHOUT PERMISSION IN WRITING FROM THE UNITED STATES GOVERNMENT.

VARIAION -00 ONLY
 SEE NOTE 2

REV	DATE	BY	CHKD	APP'D	REVISIONS
1	11-17-77	ALAN ADAMSKY			50044-EN-0001 B
2	11-17-77	ALAN ADAMSKY			50044-EN-0001 C
3	11-17-77	ALAN ADAMSKY			50044-EN-0001 D
4	11-17-77	ALAN ADAMSKY			50044-EN-0001 E
5	11-17-77	ALAN ADAMSKY			50044-EN-0001 F
6	11-17-77	ALAN ADAMSKY			50044-EN-0001 G
7	11-17-77	ALAN ADAMSKY			50044-EN-0001 H
8	11-17-77	ALAN ADAMSKY			50044-EN-0001 I
9	11-17-77	ALAN ADAMSKY			50044-EN-0001 J
10	11-17-77	ALAN ADAMSKY			50044-EN-0001 K
11	11-17-77	ALAN ADAMSKY			50044-EN-0001 L
12	11-17-77	ALAN ADAMSKY			50044-EN-0001 M
13	11-17-77	ALAN ADAMSKY			50044-EN-0001 N
14	11-17-77	ALAN ADAMSKY			50044-EN-0001 O
15	11-17-77	ALAN ADAMSKY			50044-EN-0001 P
16	11-17-77	ALAN ADAMSKY			50044-EN-0001 Q
17	11-17-77	ALAN ADAMSKY			50044-EN-0001 R
18	11-17-77	ALAN ADAMSKY			50044-EN-0001 S
19	11-17-77	ALAN ADAMSKY			50044-EN-0001 T
20	11-17-77	ALAN ADAMSKY			50044-EN-0001 U
21	11-17-77	ALAN ADAMSKY			50044-EN-0001 V
22	11-17-77	ALAN ADAMSKY			50044-EN-0001 W
23	11-17-77	ALAN ADAMSKY			50044-EN-0001 X
24	11-17-77	ALAN ADAMSKY			50044-EN-0001 Y
25	11-17-77	ALAN ADAMSKY			50044-EN-0001 Z
26	11-17-77	ALAN ADAMSKY			50044-EN-0001 AA
27	11-17-77	ALAN ADAMSKY			50044-EN-0001 AB
28	11-17-77	ALAN ADAMSKY			50044-EN-0001 AC
29	11-17-77	ALAN ADAMSKY			50044-EN-0001 AD
30	11-17-77	ALAN ADAMSKY			50044-EN-0001 AE
31	11-17-77	ALAN ADAMSKY			50044-EN-0001 AF
32	11-17-77	ALAN ADAMSKY			50044-EN-0001 AG
33	11-17-77	ALAN ADAMSKY			50044-EN-0001 AH
34	11-17-77	ALAN ADAMSKY			50044-EN-0001 AI
35	11-17-77	ALAN ADAMSKY			50044-EN-0001 AJ
36	11-17-77	ALAN ADAMSKY			50044-EN-0001 AK
37	11-17-77	ALAN ADAMSKY			50044-EN-0001 AL
38	11-17-77	ALAN ADAMSKY			50044-EN-0001 AM
39	11-17-77	ALAN ADAMSKY			50044-EN-0001 AN
40	11-17-77	ALAN ADAMSKY			50044-EN-0001 AO
41	11-17-77	ALAN ADAMSKY			50044-EN-0001 AP
42	11-17-77	ALAN ADAMSKY			50044-EN-0001 AQ
43	11-17-77	ALAN ADAMSKY			50044-EN-0001 AR
44	11-17-77	ALAN ADAMSKY			50044-EN-0001 AS
45	11-17-77	ALAN ADAMSKY			50044-EN-0001 AT
46	11-17-77	ALAN ADAMSKY			50044-EN-0001 AU
47	11-17-77	ALAN ADAMSKY			50044-EN-0001 AV
48	11-17-77	ALAN ADAMSKY			50044-EN-0001 AW
49	11-17-77	ALAN ADAMSKY			50044-EN-0001 AX
50	11-17-77	ALAN ADAMSKY			50044-EN-0001 AY
51	11-17-77	ALAN ADAMSKY			50044-EN-0001 AZ
52	11-17-77	ALAN ADAMSKY			50044-EN-0001 BA
53	11-17-77	ALAN ADAMSKY			50044-EN-0001 BB
54	11-17-77	ALAN ADAMSKY			50044-EN-0001 BC
55	11-17-77	ALAN ADAMSKY			50044-EN-0001 BD
56	11-17-77	ALAN ADAMSKY			50044-EN-0001 BE
57	11-17-77	ALAN ADAMSKY			50044-EN-0001 BF
58	11-17-77	ALAN ADAMSKY			50044-EN-0001 BG
59	11-17-77	ALAN ADAMSKY			50044-EN-0001 BH
60	11-17-77	ALAN ADAMSKY			50044-EN-0001 BI
61	11-17-77	ALAN ADAMSKY			50044-EN-0001 BJ
62	11-17-77	ALAN ADAMSKY			50044-EN-0001 BK
63	11-17-77	ALAN ADAMSKY			50044-EN-0001 BL
64	11-17-77	ALAN ADAMSKY			50044-EN-0001 BM
65	11-17-77	ALAN ADAMSKY			50044-EN-0001 BN
66	11-17-77	ALAN ADAMSKY			50044-EN-0001 BO
67	11-17-77	ALAN ADAMSKY			50044-EN-0001 BP
68	11-17-77	ALAN ADAMSKY			50044-EN-0001 BQ
69	11-17-77	ALAN ADAMSKY			50044-EN-0001 BR
70	11-17-77	ALAN ADAMSKY			50044-EN-0001 BS
71	11-17-77	ALAN ADAMSKY			50044-EN-0001 BT
72	11-17-77	ALAN ADAMSKY			50044-EN-0001 BU
73	11-17-77	ALAN ADAMSKY			50044-EN-0001 BV
74	11-17-77	ALAN ADAMSKY			50044-EN-0001 BW
75	11-17-77	ALAN ADAMSKY			50044-EN-0001 BX
76	11-17-77	ALAN ADAMSKY			50044-EN-0001 BY
77	11-17-77	ALAN ADAMSKY			50044-EN-0001 BZ
78	11-17-77	ALAN ADAMSKY			50044-EN-0001 CA
79	11-17-77	ALAN ADAMSKY			50044-EN-0001 CB
80	11-17-77	ALAN ADAMSKY			50044-EN-0001 CC
81	11-17-77	ALAN ADAMSKY			50044-EN-0001 CD
82	11-17-77	ALAN ADAMSKY			50044-EN-0001 CE
83	11-17-77	ALAN ADAMSKY			50044-EN-0001 CF
84	11-17-77	ALAN ADAMSKY			50044-EN-0001 CG
85	11-17-77	ALAN ADAMSKY			50044-EN-0001 CH
86	11-17-77	ALAN ADAMSKY			50044-EN-0001 CI
87	11-17-77	ALAN ADAMSKY			50044-EN-0001 CJ
88	11-17-77	ALAN ADAMSKY			50044-EN-0001 CK
89	11-17-77	ALAN ADAMSKY			50044-EN-0001 CL
90	11-17-77	ALAN ADAMSKY			50044-EN-0001 CM
91	11-17-77	ALAN ADAMSKY			50044-EN-0001 CN
92	11-17-77	ALAN ADAMSKY			50044-EN-0001 CO
93	11-17-77	ALAN ADAMSKY			50044-EN-0001 CP
94	11-17-77	ALAN ADAMSKY			50044-EN-0001 CQ
95	11-17-77	ALAN ADAMSKY			50044-EN-0001 CR
96	11-17-77	ALAN ADAMSKY			50044-EN-0001 CS
97	11-17-77	ALAN ADAMSKY			50044-EN-0001 CT
98	11-17-77	ALAN ADAMSKY			50044-EN-0001 CU
99	11-17-77	ALAN ADAMSKY			50044-EN-0001 CV
100	11-17-77	ALAN ADAMSKY			50044-EN-0001 CW
101	11-17-77	ALAN ADAMSKY			50044-EN-0001 CX
102	11-17-77	ALAN ADAMSKY			50044-EN-0001 CY
103	11-17-77	ALAN ADAMSKY			50044-EN-0001 CZ
104	11-17-77	ALAN ADAMSKY			50044-EN-0001 DA
105	11-17-77	ALAN ADAMSKY			50044-EN-0001 DB
106	11-17-77	ALAN ADAMSKY			50044-EN-0001 DC
107	11-17-77	ALAN ADAMSKY			50044-EN-0001 DD
108	11-17-77	ALAN ADAMSKY			50044-EN-0001 DE
109	11-17-77	ALAN ADAMSKY			50044-EN-0001 DF
110	11-17-77	ALAN ADAMSKY			50044-EN-0001 DG
111	11-17-77	ALAN ADAMSKY			50044-EN-0001 DH
112	11-17-77	ALAN ADAMSKY			50044-EN-0001 DI
113	11-17-77	ALAN ADAMSKY			50044-EN-0001 DJ
114	11-17-77	ALAN ADAMSKY			50044-EN-0001 DK
115	11-17-77	ALAN ADAMSKY			50044-EN-0001 DL
116	11-17-77	ALAN ADAMSKY			50044-EN-0001 DM
117	11-17-77	ALAN ADAMSKY			50044-EN-0001 DN
118	11-17-77	ALAN ADAMSKY			50044-EN-0001 DO
119	11-17-77	ALAN ADAMSKY			50044-EN-0001 DP
120	11-17-77	ALAN ADAMSKY			50044-EN-0001 DQ
121	11-17-77	ALAN ADAMSKY			50044-EN-0001 DR
122	11-17-77	ALAN ADAMSKY			50044-EN-0001 DS
123	11-17-77	ALAN ADAMSKY			50044-EN-0001 DT
124	11-17-77	ALAN ADAMSKY			50044-EN-0001 DU
125	11-17-77	ALAN ADAMSKY			50044-EN-0001 DV
126	11-17-77	ALAN ADAMSKY			50044-EN-0001 DW
127	11-17-77	ALAN ADAMSKY			50044-EN-0001 DX
128	11-17-77	ALAN ADAMSKY			50044-EN-0001 DY
129	11-17-77	ALAN ADAMSKY			50044-EN-0001 DZ
130	11-17-77	ALAN ADAMSKY			50044-EN-0001 EA
131	11-17-77	ALAN ADAMSKY			50044-EN-0001 EB
132	11-17-77	ALAN ADAMSKY			50044-EN-0001 EC
133	11-17-77	ALAN ADAMSKY			50044-EN-0001 ED
134	11-17-77	ALAN ADAMSKY			50044-EN-0001 EE
135	11-17-77	ALAN ADAMSKY			50044-EN-

THIS DRAWING AND SPECIFICATIONS, HEREIN, ARE THE PROPERTY OF THE MANUFACTURER AND SHALL NOT BE REPRODUCED OR COPIED IN WHOLE OR IN PART WITHOUT THE WRITTEN PERMISSION OF THE MANUFACTURER. DIGITAL EQUIPMENT CORPORATION © 1987

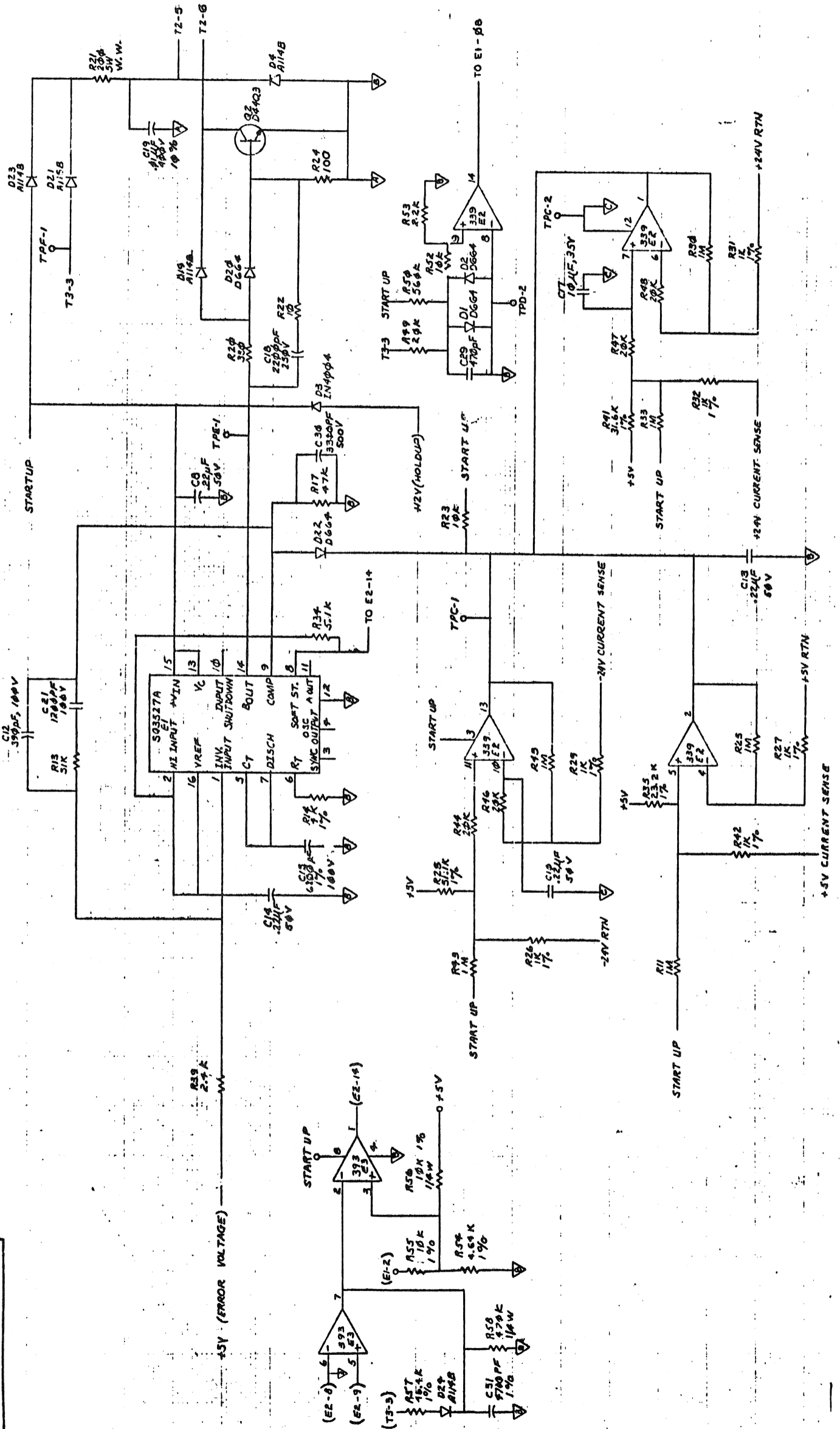


FOR VARIATION -00 AND -01
SEE NOTE 2

CHK	CHANGE NO.	REV.

REV.	NUMBER	SIZE CODE	DIST.	REV.
F	5414243-0-1	D	CS	F
TITLE		SCALE		
LAI00 POWER SUPPLY		SHEET 2 OF 3		
		2		
		3		
		4		
		5		
		6		
		7		
		8		

THIS DRAWING AND SPECIFICATIONS, HEREIN, ARE THE PROPERTY OF THE UNITED STATES GOVERNMENT AND ARE LOANED TO YOU BY THE MANUFACTURER OF THE EQUIPMENT FOR WHICH THEY ARE INTENDED. YOU ARE TO RETURN THIS DRAWING TO THE MANUFACTURER OF THE EQUIPMENT AT THE END OF THE LEASE PERIOD OR AT THE END OF THE LEASE PERIOD OR AT THE END OF THE LEASE PERIOD OR AT THE END OF THE LEASE PERIOD.



FOR VARIATION -00 AND -01
SEE NOTE 2

CHK	REVISOR'S	REV.
	CHANGE NO.	

TITLE	LA1000 POWER SUPPLY	SIZE CODE	D	CS	5414243-0-1	REV.	
SCALE		SHEET	2	OF	3		

QTY PER VARIATION REFERENCE DESIGNATOR

LINE ITEM DOCUMENT NUMBER

PART NUMBER

DESCRIPTION

1	4	5014242-00	D8E BRD	1	1	
2	5	1000024-00	470.0 MMF 100V 5%2000PFM MICA	1	1	C29
3	6	1000055-00	2200.0 MMF 250V 20% Y5S DISC	1	1	C18
4	7	1001631-00	390.0 MMF 100V 5%2000PFM MICA	1	1	C12
5	9	1002424-00	1200.0 MMF 100V 5%2000PFM MICA	1	1	C21
6	10	1011847-01	.01 MFD 400V 10% FOLYPROP	1	1	C19
7	11	1011847-02	.01 MFD 600V 10% FOLYPROP	1	1	C3
8	12	1011849-01	600 MFD 25V 75-10% AL EL	1	1	C5
9	13	1013280-00	680.0 MMF 1000V 5%2000PFM MICA	1	1	C4
10	14	1013466-11	.22 MFD 50V +80-20% Z5U CER	11	4	C4,C34,C35,C36 C7,C8,C10,C13,C14,C20,C22,C23, C24,C26,C28 C8,C10,C13,C14,C14,C14,C26
11	15	1018980-00	6800.0 MMF 100V 1% MICA	6	1	C15
12	16	1015466-00	8000 MFD 6.3V 75-10% AL EL	1	1	C6
13	17	1017354-00	440 MFD 200V +50-10% AL EL	2	2	C1,C2
14	18	1017355-00	8900 MFD 28V 20% AL EL	2	2	C9,C11
15	19	1100114-00	PIV= 25 IO=135 MA	4	4	D1,D2,D22,D20
16	20	1105796-00	PIV= 400 IO= 1.00A 1N4004 D0-41	3	3	D3,D18,D13
17	21	1112594-01	PIV= 200 IO= 3.00A	1	1	D21
18	22	1112594-02	PIV= 600 IO= 3.00A	2	2	D9,D10
19	23	1112595-01	PIV= 200 IO= 1.00A AXIAL	4	4	D4,D19,D23,D24
20	24	1112595-02	PIV= 600 IO= 1.00A AXIAL	2	2	D11,D14
21	25	1117721-00	TRANS.SUPP. 250V 5 A	1	1	D14
22	26	1114893-00	RECT,ULTRA FAST PIV= 50 IO= 6.0	1	1	D12
23	27	1115182-00	PIV= 600 IO= 3.00A 1N5626	4	4	D15
24	28	1115272-00	RECT,ULTRA FAST PIV= 150 IO= 6.0	2	2	D5-D8
25	29	1211987-03	HEAT SINK,T0-3 1.750X01.7	1	1	D16,D17
26	30	1214789-00	INSERT,THREAD	4	4	HS1

REVISION HISTORY	BASIC PART NO: 5414243	DRN: PAUL NORMAN	DATE: 20-FEB-80	REVISION
ENG: ECO NUMBER	SECTION A OF A	CHK'D: DICK BARRIERE	DATE: 20-MAR-81	TITLE
AA INITIAL	SECTION.VARIATION INDEX	DES.ENG: ALAN ADAMSKY	DATE: 20-MAR-81	LA100 POWER SUPPLY
AB 5414243-ML001	CAJ 00/01	RESP.ENG.: ALAN ADAMSKY	DATE: 20-MAR-81	DOCUMENT NUMBER
AC 5414243-PN002	CBJ	IMFG.ENG.: D. THOMAS	DATE: 20-MAR-81	SIZE: CODE: NUMBER
AD 5414243-PN003	CCJ	ASSEMBLY NUMBER:	TOP DOCUMENT NUMBER:	REVISION
AE 5414243-PN004	CDJ	D-UA-5414243-0-0	#B-DD-5414243-0	FILE NAME:
AF 5414243-PN005	CEJ			Z4243N.PLS
AG 5414243-PN006	CFJ			EDIT #
AH 5414243-PN008	CJJ			18
AI 5414243-PN009	CKJ			
AJ 5414243-PN011	CLJ			
AK 5414243-PN012	CMJ			
AL	CNJ			

*THIS DRAWING AND SPECIFICATIONS HEREIN, ARE THE PROPERTY OF DIGITAL EQUIPMENT CORPORATION AND SHALL NOT BE REPRODUCED OR COPIED OR USED IN WHOLE OR IN PART AS THE BASIS FOR THE MANUFACTURE OR SALE OF ITEMS WITHOUT WRITTEN PERMISSION. COPYRIGHT (C) 1984. DIGITAL EQUIPMENT CORPORATION *

QTY PER VARIATION REFERENCE DESIGNATOR
00 01

LINE ITEM DOCUMENT NUMBER

DESCRIPTION

PART NUMBER

LINE ITEM	DOCUMENT NUMBER	DESCRIPTION	PART NUMBER	QTY PER VARIATION	REFERENCE DESIGNATOR
75	84	INSULATOR,RUBBER SILICONE	1213071-06	2	
76	85	BRKT,HEAT SINK	7424091-00	1	
77	88	SPACER,CLEAR HOLE RND CERAM .07	9009798-01	4	
78	89	10.0 UH	1618013-00	1	L1
79	90	10 MFD 35V +50-10% AL EL	1017472-00	1	C17
80	91	2.40 K .25 W 5.0 % CF	1303177-00	1	R39
81	92	.0047 MFD 100V 1% POLYPROP	1018237-00	1	C31
82	93	4.40 K .25 W 1.0 % RN55D-F10	1303311-00	1	R57
83	94	22.10 K .25 W 1.0 % RN55D-F10	1317494-00	2	R55,R56
84	95	4.64 K .25 W 1.0 % RN55D-F10	1304856-00	1	R54
85	96	LM 393 VOLT.COMPARATOR DUAL	1914156-00	1	E3
86	97	3300.0 MMF 500V 20% Z5U DISC	1013963-00	1	C30
87	98	560.0 K .25 W 5.0 % CF	1312992-00	1	R50
88	100	470.0 K .25 W 5.0 % CF	1302398-00	1	R58
89	101	WIRE, 12AWG19/.0185IFVC 300V1	9107380-55	A/R	
90	102	TERM,RING #10STUD CRIMP 10-1	9007926-01	1	
91	104	WIRE(WRAP) 30AWG KYNAR UL14	9105740-55	A/R	A/R
92	105	FUSE, SUB-MINI .250A, 125V, A	1210929-04	1	F1
93	106	100.0 .25 W 5.0 % CF	1300229-00	1	R24
94	107	.015 MFD 100V 10% MYLR	1026330-00	1	C32
95	108	TUBING,TEFLON .027ID	9107256-00	A/R	
96	109	CHOKER,COMMON MODE 250VAC PC MNT	1620951-01	1	L2
97	110	1 MFD 50V +80-20% CER	1010274-02	5	C7,C20,C22,C23,C28
98	111	.02 MFD 1000V +80-20% CER	1019559-01	1	C33
99	112	GROUND STRAP	7428165-01	1	
100	113	WIRE, 22AWG(07/30)PVC 600V1	9107804-00	A/R	
101	114	SPACER,CLEAR HOLE RND CERAM .07	9009798-02	2	
102	115	10.0 K .25 W 1.0 % RN55D-F10	1303312-00	2	R55,R56
103	116	1.0 K 5.0 W 3.0 % W	1315764-00	1	R7
104	117	2.2MFD 400V 20% MET. MYLR	1019422-04	1	C37
105	118	TUBING,TEFLON .042ID	9107278-09	A/R	

D	I	G	I	T	A	L	TITLE	SECTION A OF A	DOCUMENT NUMBER	REV
							LA100 POWER SUPPLY		5414243-0-DBP	N

11