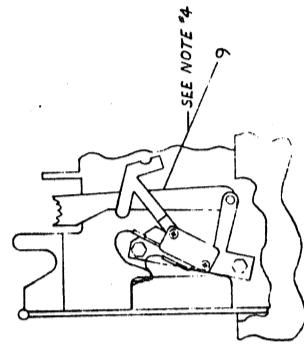
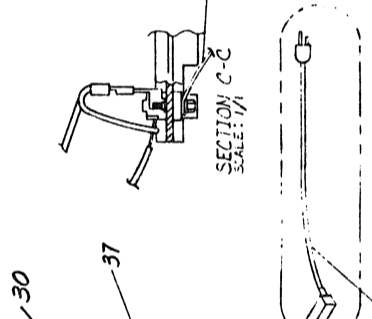
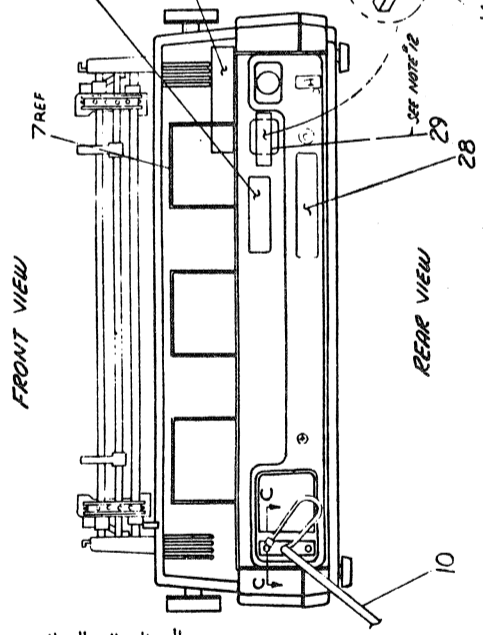
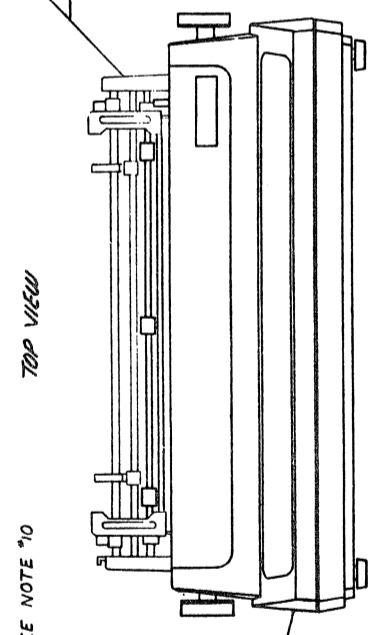
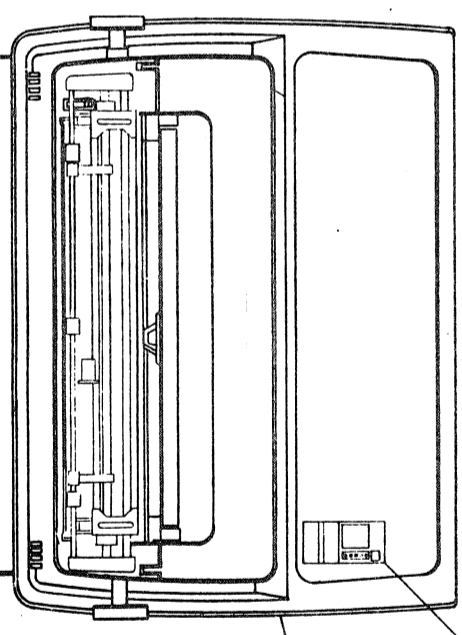
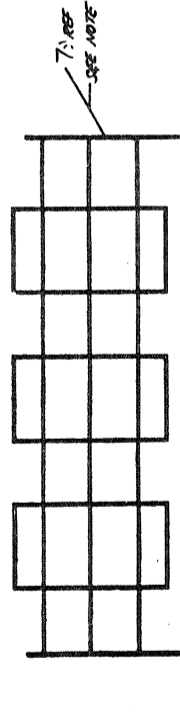


THIS DRAWING IS THE PROPERTY OF THE GOVERNMENT OF CANADA AND IS LOANED TO YOU BY THE NATIONAL ARCHIVES. IT IS NOT TO BE REPRODUCED OR TRANSMITTED IN ANY FORM OR BY ANY MEANS, ELECTRONIC OR MECHANICAL, INCLUDING PHOTOCOPYING, RECORDING, OR BY ANY INFORMATION STORAGE AND RETRIEVAL SYSTEM, WITHOUT THE WRITTEN PERMISSION OF THE NATIONAL ARCHIVES.



VIEW A-A  
SCALE: NONE  
SHOWING LEFT SIDE FATE WITH PAPER  
OUT SWITCH. TOP COVER IS REMOVED

**NOTES:**

1. FOR INTERPRETATION SYMBOLS REFER TO 0-10-LA-100-0-2.
2. MAKE CHANGES TO LEFT HAND SIDE OF COVER ENTRY CHECKS FOR 1700-0-20, SECURE CAUTION TAG ITEM #27 SECURELY TO CABLE #5.
3. ITEM #7, POWER SWITCH IS OPTIONAL.
4. FOR INSTALLATION PROCEDURE REFER TO E-AR-LA-134-PL-2.
5. FOR INSTALLATION PROCEDURE REFER TO LETTERWRITER 100 INSTALLATION GUIDE EK-LM-100-1001.
6. FOR INSTALLATION PROCEDURE REFER TO E-AR-LA-134-JL-2.
7. FOR INSTALLATION PROCEDURE REFER TO C-AR-LA-134-KL-2.
8. ALL ITEMS CALLED OUT UNDER ITEM #14 THRU #25 AND ITEM #38 ARE PART OF INSTALLATION KIT.
9. CARTRIDGE ASSY AVAILABLE AS OPTION TO THIS ASSY REFER TO K-PL-LA-100-1-1-CBP (CARTRIDGE & ROM) AND K-PL-LA-100-1-2-CBP (CARTRIDGE & FOREIGN ROM).
10. FOR INSTALLATION PROCEDURE REFER TO D-AR-LA-100-PL-2.
11. POWER CORD IS TO BE SUPPLIED LOOSE WITH UNIT AND IS MOODED UP AT CUSTOMER'S SITE. COUNTRY OF USAGE, DEC PART NUMBER USA (115) 1700083-11 UK 1700083-12 SWITZERLAND 1700209-01 AUSTRALIA 1700199-01
12. LABEL - ITEM #29 TO BE LAST ITEM PLACED ON UNIT, BEFORE PACKAGING.

CAUTION: FOR OFF SHEET PARTS LIST REFER TO K-PL-LA-100-0-DBP

NO.	DESCRIPTION	QTY	UNIT	REMARKS
1	UNIT ASSY, -A100	1		

NO.	DESCRIPTION	QTY	UNIT	REMARKS
1	UNIT ASSY, -A100	1		



PARTS LIST

LAUTOMATED BY PRTLJT.3P(44)

LINE ITEM	DOCUMENT NUMBER	PART NUMBER	DESCRIPTION	QUANTITY PER VARIATION													
				AA	BA	CA	RA	YA	ZA	AB	BB	CB	RB	YB	ZB		
31	E-AD-7017884-0-0	7017884-02	PRINTER MECH/COVER ASSY.	-	1	-	-	-	-	-	-	-	-	-	-	-	-
32	E-AD-7017884-0-0	7017884-03	PRINTER MECH/COVER ASSY.	-	-	-	-	-	-	-	-	-	-	-	-	-	-
33	E-AD-7017884-0-0	7017884-04	PRINTER MECH/COVER ASSY.	-	-	1	-	-	-	-	-	-	-	-	-	-	-
34	E-AD-7017884-0-0	7017884-05	PRINTER MECH/COVER ASSY.	-	-	-	-	-	-	-	-	-	-	-	-	-	-
35	E-AD-7017870-0-0	7017870-02	PRINTER MECH/COVER ASSY.	-	-	-	-	-	1	-	-	-	-	-	-	-	-
36	E-AD-7017370-0-0	7017870-03	PRINTER MECH/COVER ASSY.	-	-	-	-	-	-	-	-	-	-	-	-	-	-
37	E-AD-7017370-0-0	3617615-01	LABEL, CAUTION REPLACE FUSE	1	1	1	1	1	1	1	1	1	1	1	1	1	1

38 NOTE: 1. WHEN ITEMS 8 THRU 13 ARE FACTORY INSTALLED, THEIR PACKAGING WILL NOT BE INCLUDED.

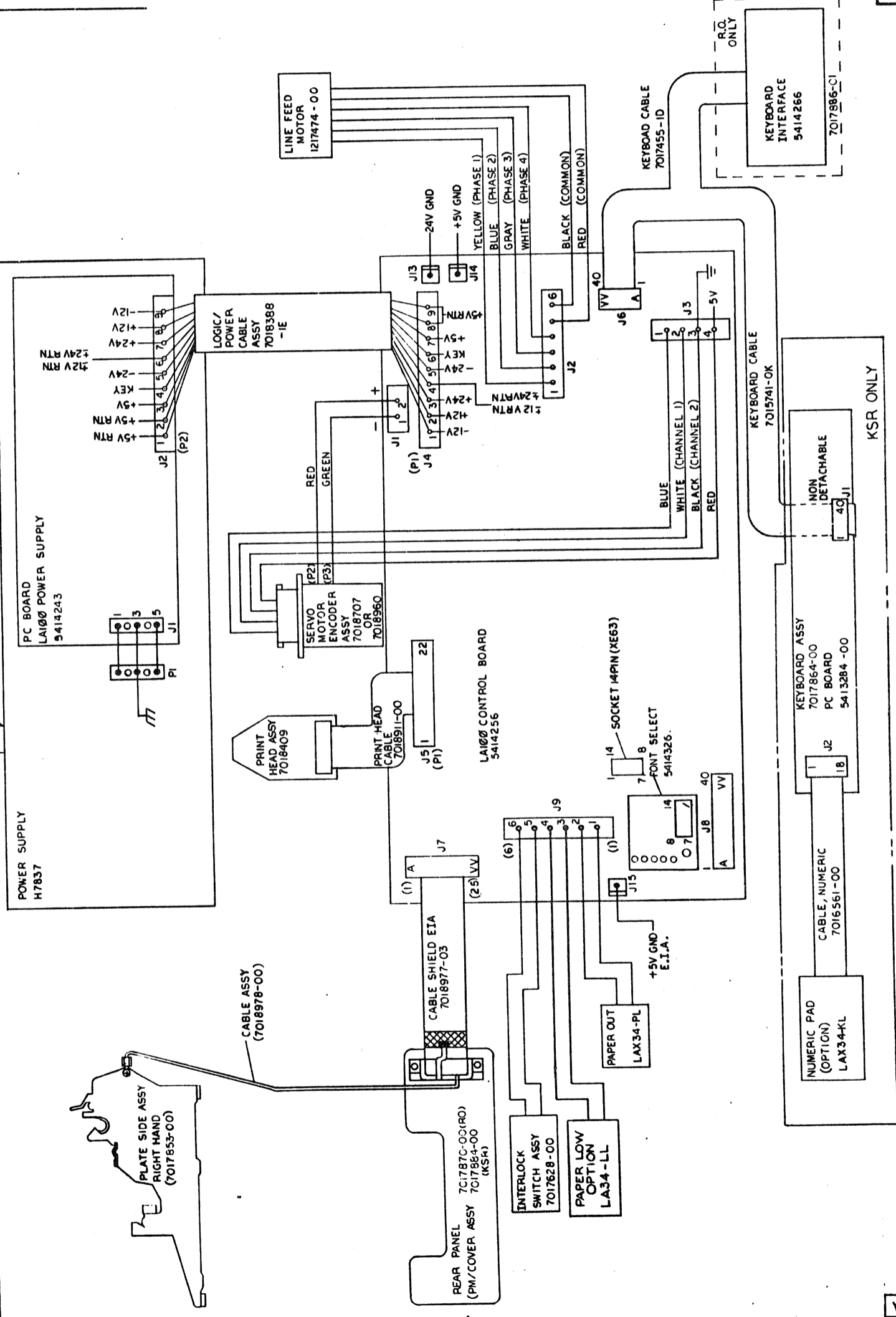
DIGITAL			SECTION A OF A			SIZE CODE			DOCUMENT NUMBER			REV		
UNIT ASSY LA100						K PL			LA100-0-DRP			C		

8 7 6 5 4 3 2 1

LAST PCA 304

NOTES:  
 1. THE FOLLOWING POWER CORDS TO BE USED DEPENDING ON COUNTRY OF USAGE.  
 USA (115) 1700083-11  
 USA (230) 1700083-12  
 UK 1700309-01  
 CONTINENTAL EUROPE (SCHUKO) 1700309-02  
 SWITZERLAND 1700210-01  
 AUSTRALIA 1700138-01

THIS DRAWING AND SPECIFICATIONS, HEREIN, ARE THE PROPERTY OF DIGITAL EQUIPMENT CORPORATION. NO PART OF THIS DRAWING OR SPECIFICATIONS IS TO BE REPRODUCED OR COPIED IN ANY MANNER WITHOUT THE WRITTEN PERMISSION OF DIGITAL EQUIPMENT CORPORATION. © 1981 DIGITAL EQUIPMENT CORPORATION



DESIGNED BY	E. J. Neal	DATE	7/21/81
DRAWN BY	E. J. Neal	DATE	7/21/81
CHECKED BY	E. J. Neal	DATE	7/21/81
APPROVED BY	E. J. Neal	DATE	7/21/81
SCALE	B-DD-LA100-0		
TITLE	INTERCONNECTION DIAGRAM		
DOCUMENT NUMBER	DIGITAL 100-0-2		
SHEET	1	TOTAL	1

REV	DATE	ECO NUMBER	INITIAL

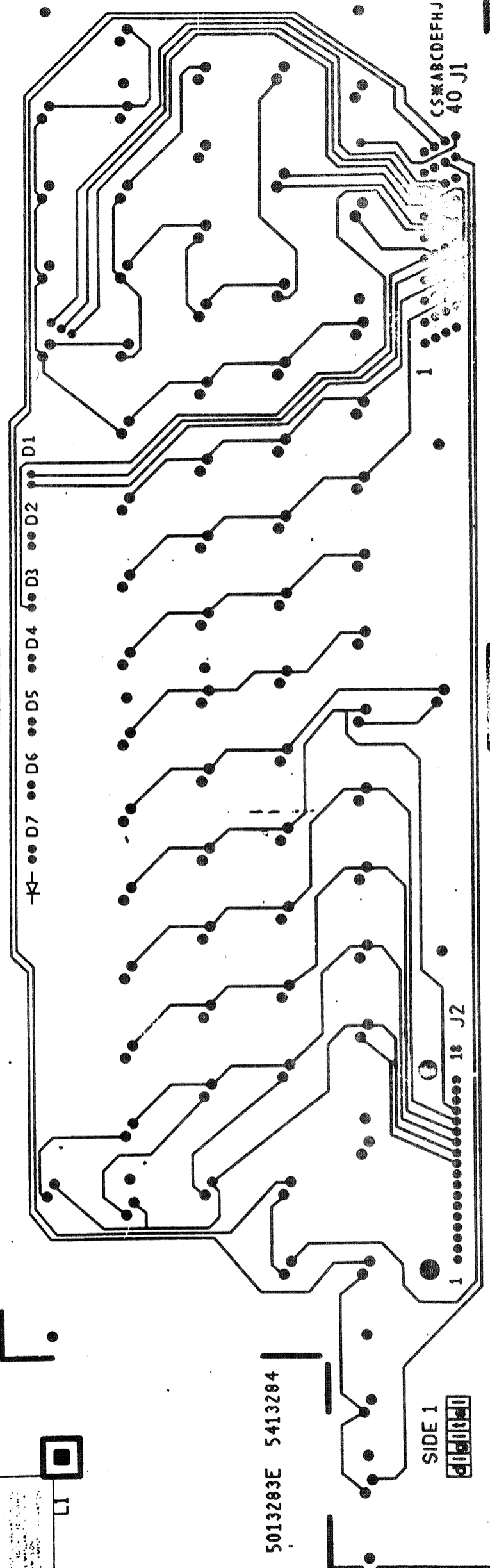
2 3 4 5 6 7 8





8 7 6 5 4 3 2 1

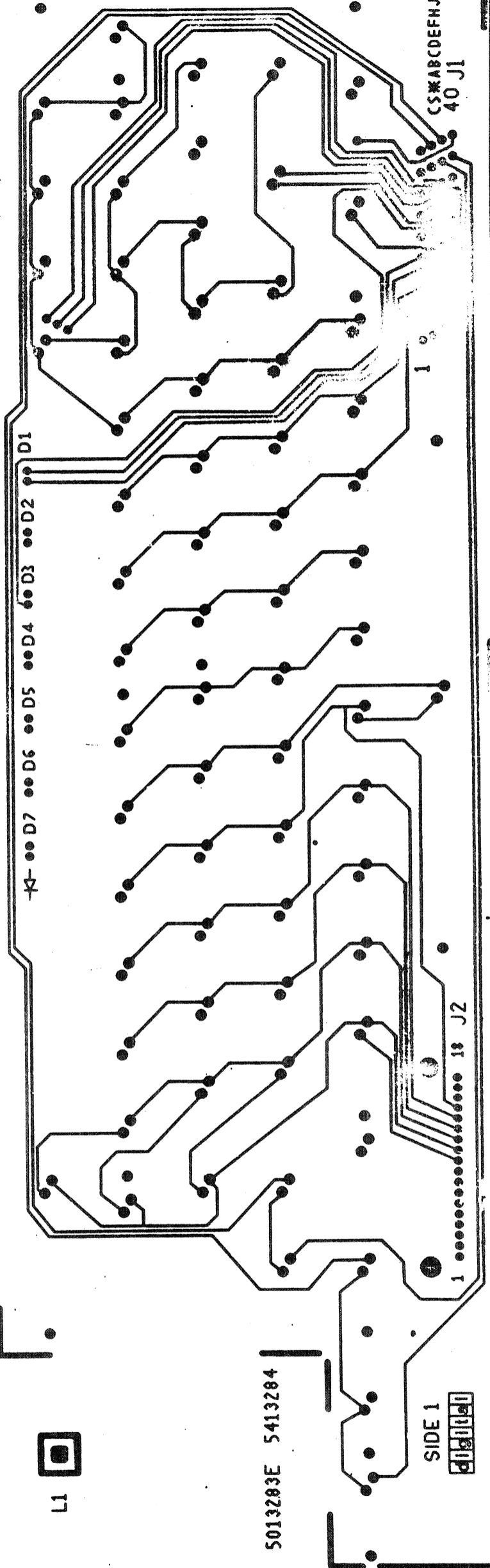
5413284-0-0



5013283E 5413284

SIDE 1

L1

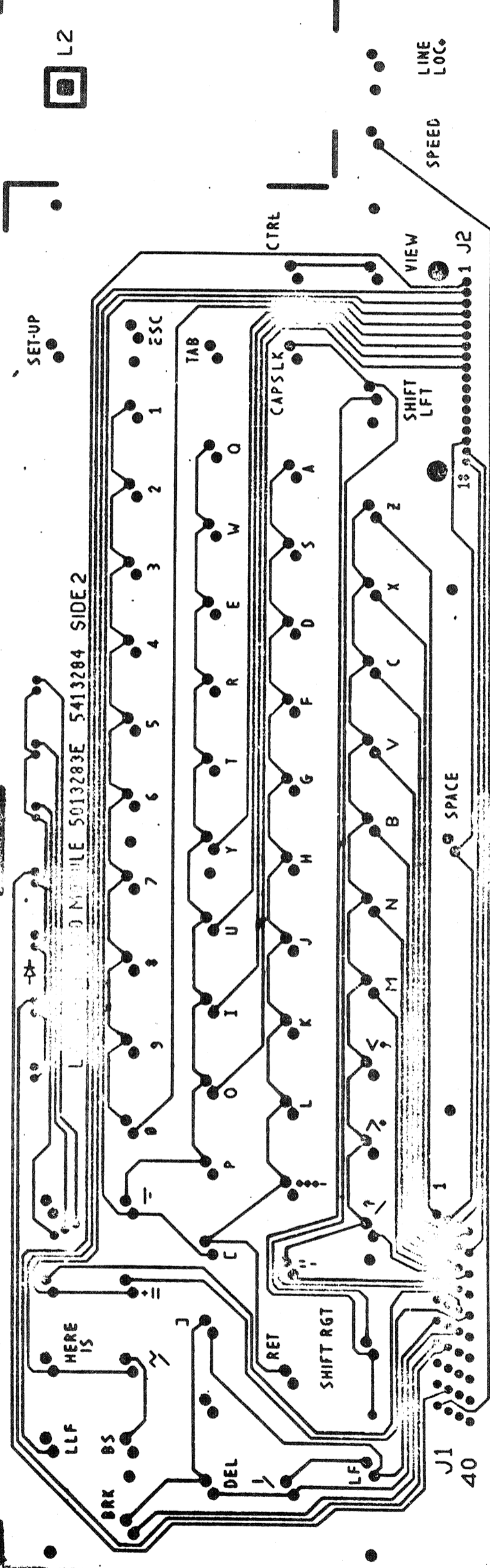
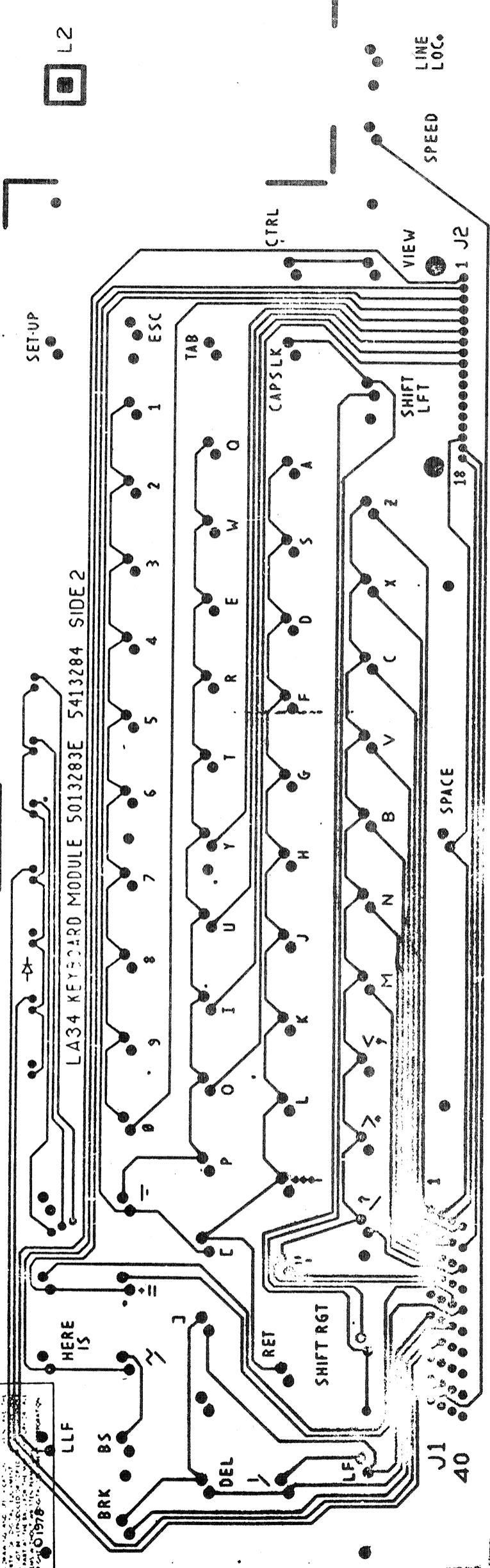


5013283E 5413284

SIDE 1

REV	F
NUMBER	5413284-0-0
SIZE CODE	D JA
TITLE	LA34 KEYBOARD MODULE
SCALE	2/1
SHEET	2 OF 3
DIST	
PA	1

LA34 KEYBOARD MODULE 5013283E 5413284 SIDE 2



TITLE	LA34 KEYBOARD MODULE	D	UA	5413284-0-0	F
SCALE	2/1	SHEET	3	OF	3
			2		1

QTY PER VARIATION REFERENCE DESIGNATOR

LINE ITEM	DOCUMENT NUMBER	PART NUMBER	DESCRIPTION	QTY	PER VARIATION	REFERENCE DESIGNATOR
1		5013283-00	ETCH BOARD FOR 5413284	1		
2		1110864-00	LED 2MCD@10MA	5		81-083
3		1210073-00	CONN 40POS INSUL PIERCING	1		J1
4		1215324-01	CONN 16POS GOLD PLATED	1		J2
5		7013910-00	KEYBOARD ARRAY ASSY	1		
6		7015527-00	OPERATOR SWITCH ASSY	1		
7		9010033-00	SCREW,PAN,PHILLIPS, 4-24 X 3/8	6		

REVISION HISTORY	ECO NUMBER	REV	SECTION	VARIATION INDEX	CHK'D BY	DATE	DESCRIPTION	DOCUMENT NUMBER	REV
INIT									
LG	5413284-PN001	E	[A]	00	M, RIPLEY	17-MAY-78			
EX	5413284-PN002	F	[B]		B, DONOHUE	22-JUN-78	LA34 KEYBOARD MODULE		
			[C]		DES, ENGI	22-JUN-78			
			[D]		RESP, ENGI	22-JUN-78			
			[E]						
			[F]						
			[G]						
			[H]						
			[I]						
			[J]						
			[K]						
			[L]						
			[M]						
			[N]						

THIS DRAWING AND SPECIFICATIONS HEREIN ARE THE PROPERTY OF DIGITAL EQUIPMENT CORPORATION AND SHALL NOT BE REPRODUCED OR COPIED ON USED IN WHOLE OR IN PART AS THE BASIS FOR THE MANUFACTURE OR SALE OF ITEMS WITHOUT WRITTEN PERMISSION. COPYRIGHT (C) 1981, DIGITAL EQUIPMENT CORPORATION







LINE ITEM	DOCUMENT NUMBER	PART NUMBER	DESCRIPTION	QTY PER VARIATION	REFERENCE DESIGNATOR
1	D-MD-5014265-0-0	5014265-00	DRILL AND ETCH BRD.	1	
2	D-IA-7017455-0-0	7017455-1D	CABLE, KEYBOARD ASSY 16"	1	
3		1110864-00	LED 2MCD@10MA	6	D1-D6
4	D-PS-1218612-0-0	1218612-00	SW,ARRAY,6SW	1	
5	D-MD-7423970-0-0	7423970-00	GUIDE, L.E.D.	1	
6		9010382-01	SCREW, PAN PHIL THD CT 2-	1	
7		9009623-00	WASHER,FLAT NYLON	1	
8		1217787-00	*** THIS ITEM IS NOT USED ***	-	
9		9010033-00	SCREW,TAP PAN PHIL THD CT 4-	3	

REVISION HISTORY		BASIC PART NO: 5414266		DATE		D I G I T A L	
ENG	ECO NUMBER	REV	SECTION A OF A	DRN	DATE	DATE	PARTS LIST
	INITIAL	A	SECTION,VARIATION INDEX	DAVE DROZD	17-DEC-79		
JD	5414266-PN001	B	CAJ 00	KENT GLEEZEN	17-DEC-79		KEY BOARD INTERFACE
NG	5414266-PN002	C	CBJ	YASH GARGE	24-JUL-80		
NG	5414266-PN003	D	CCJ	YASH GARGE	24-JUL-80		
		E	CDJ	YASH GARGE	24-JUL-80		
		F	CEJ	YASH GARGE	24-JUL-80		
		G	CFJ	JOHN HUTCHINS	24-JUL-80		
		H	CHJ	JOHN HUTCHINS	24-JUL-80		
		I	CJ	JOHN HUTCHINS	24-JUL-80		
		J	CKJ	JOHN HUTCHINS	24-JUL-80		
		K	CLJ	JOHN HUTCHINS	24-JUL-80		
		L	CMJ	JOHN HUTCHINS	24-JUL-80		
		M	CNJ	JOHN HUTCHINS	24-JUL-80		
		N	CNJ	JOHN HUTCHINS	24-JUL-80		

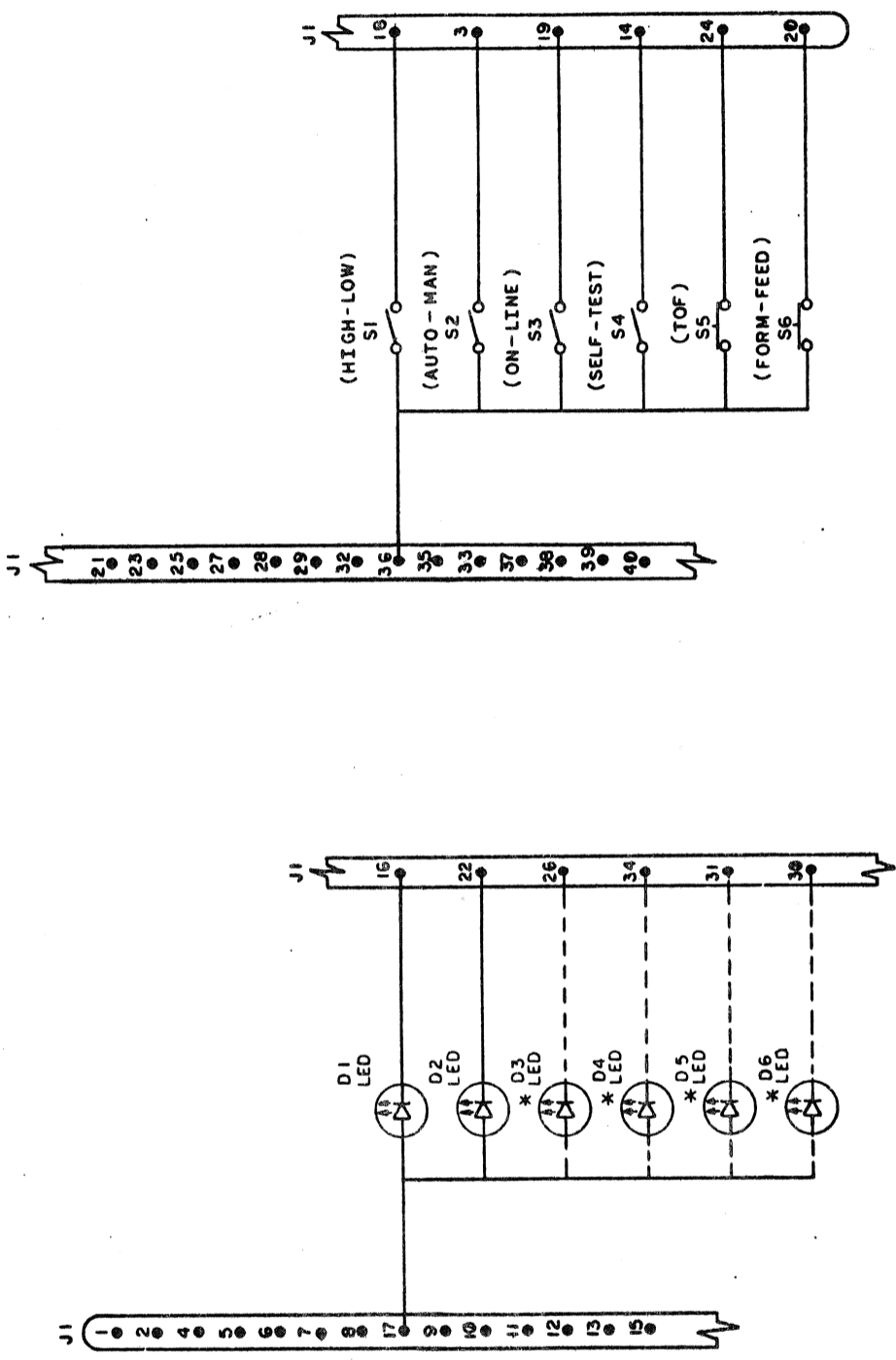
\*THIS DRAWING AND SPECIFICATIONS HEREIN, ARE THE PROPERTY OF DIGITAL EQUIPMENT CORPORATION AND SHALL NOT BE REPRODUCED OR COPIED OR USED IN WHOLE OR IN PART AS THE BASIS FOR THE MANUFACTURE OR SALE OF ITEMS WITHOUT WRITTEN PERMISSION. COPYRIGHT (C) 1982, DIGITAL EQUIPMENT CORPORATION.

1 2 3 4 5 6 7 8

THIS DRAWING AND SPECIFICATIONS, HEREIN, ARE THE PROPERTY OF DIGITAL EQUIPMENT CORPORATION AND ARE TO BE USED IN PART AS THE BASIS FOR THE MANUFACTURE OR SALE OF ITEMS WHICH WILL BE USED IN CONNECTION WITH THE EQUIPMENT MANUFACTURED BY DIGITAL EQUIPMENT CORPORATION. © 1980

**NOTE:**

1. \* D3 THRU D6 ARE OPTIONAL DIODES.
2. S1, S2, S3, S4 ARE LOCKING SWITCHES S5, S6 ARE MOMENTARY.



DRN	CHK'D	ENG	PROJ	PROJ	SCALE	SHEET	OF	DIST.	REV.
FIRST USED ON									digital
TITLE									KEYBOARD INTERFACE
SIZE									D
NEXT HIGHER ASSY.									B-30-5414266-0-1
SCALE									5414266-0-1
SHEET									1
OF									2
DIST.									D

REV.	CHG	DATE	BY
8	2	5/14/82	JKS
7	2	5/14/82	JKS
6	2	5/14/82	JKS
5	2	5/14/82	JKS
4	2	5/14/82	JKS
3	2	5/14/82	JKS
2	2	5/14/82	JKS
1	2	5/14/82	JKS